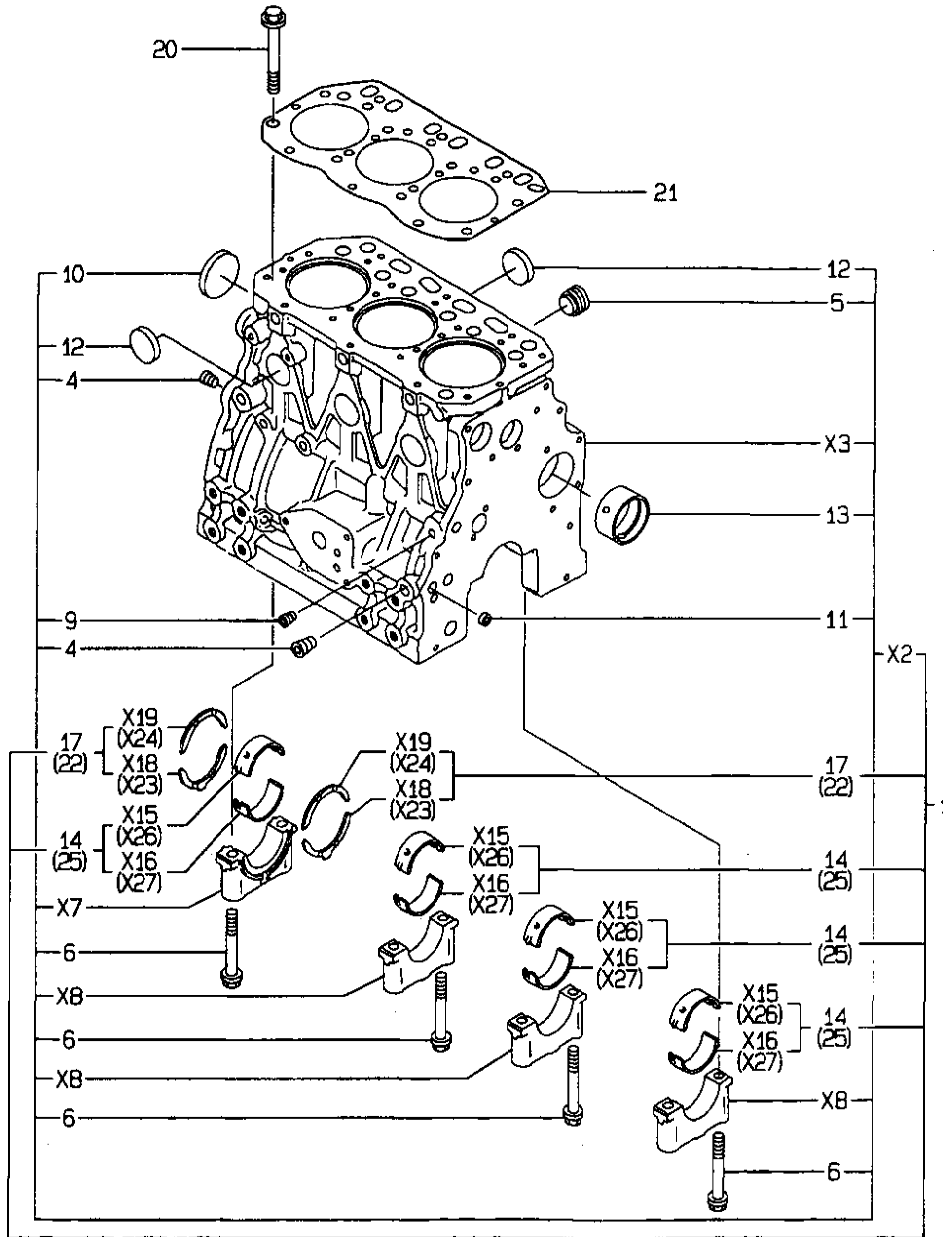


Fig.1.CYLINDER BLOCK

1.CYLINDER BLOCK



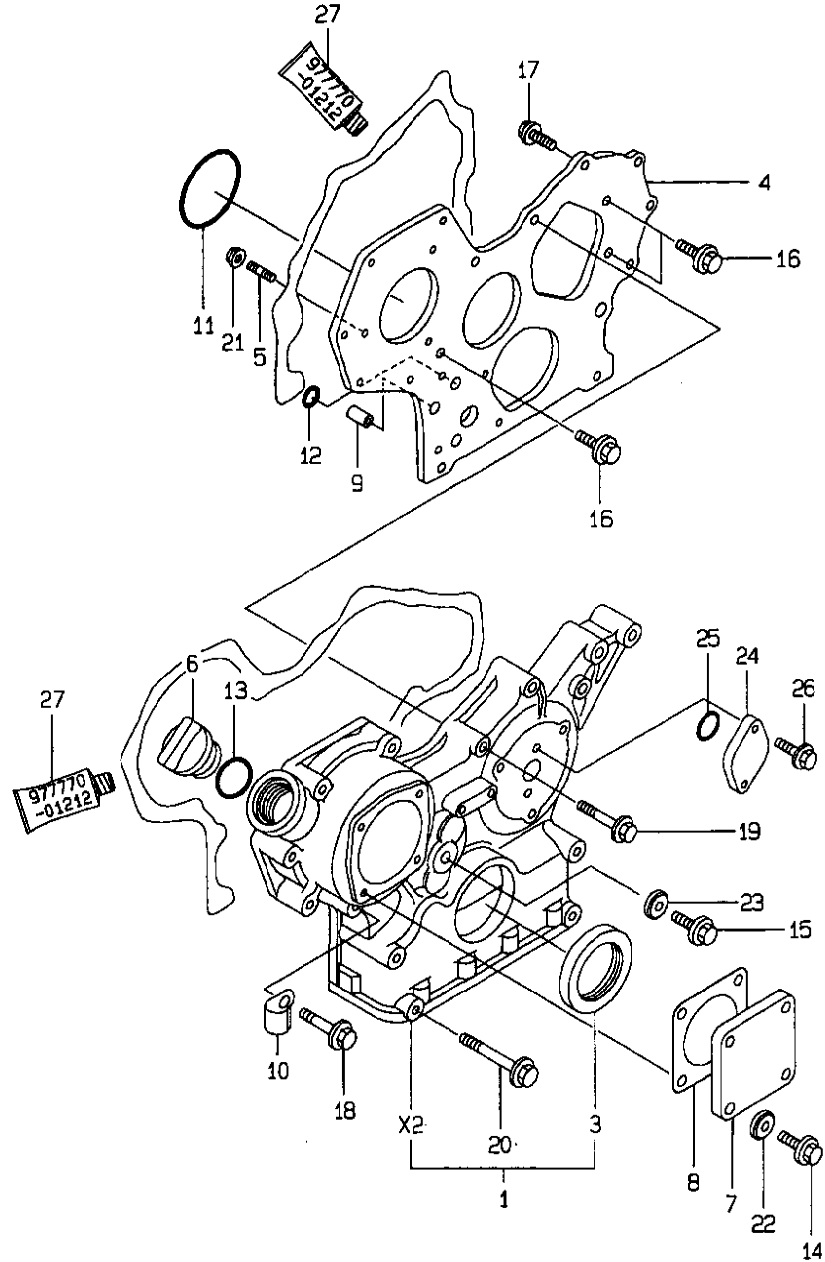
Remarks
 (1) OVER-SIZE(O.S=0.25)PART.
 (2) UNDER-SIZE(U.S=0.25)PART.

(A)=3TNE88-PG (D)=
 (B)= (E)=
 (C)= (F)=

REF.	LEV.	PARTS NO.	DESCRIPTION	Q'TY					
				(A)	(B)	(C)	(D)	(E)	(F)
1	1	729001-01560	BLOCK ASSY, CYLINDER	1					
4	3	124160-01910	PLUG PT1/4	3					
5	3	171051-01921	PLUG	1					
6	3	129150-02020	BOLT, METAL CAP	8					
9	3	23871-010000	PLUG PT1/8,SCREW	1					
10	3	27231-500000	PLUG 50	1					
11	3	27241-120000	PLUG 12	2					
12	3	27241-300000	PLUG 30	6					
13	3	129795-02411	BUSH, CAMSHAFT	1					
14	2	129001-02800	MAIN BEARING	4					
17	2	129150-02930	METAL, THRUST	2					
20	1	129150-01200	STUD, CYL. HEAD	14					
21	1	129001-01340	GASKET, (NON-ASB.)	1					
22	1	129150-02940	METAL,THRUST OS=0.25	2					
25	1	129150-02870	MAIN METAL US=0.25	4					

Fig.2.GEAR HOUSING

2.GEAR HOUSING



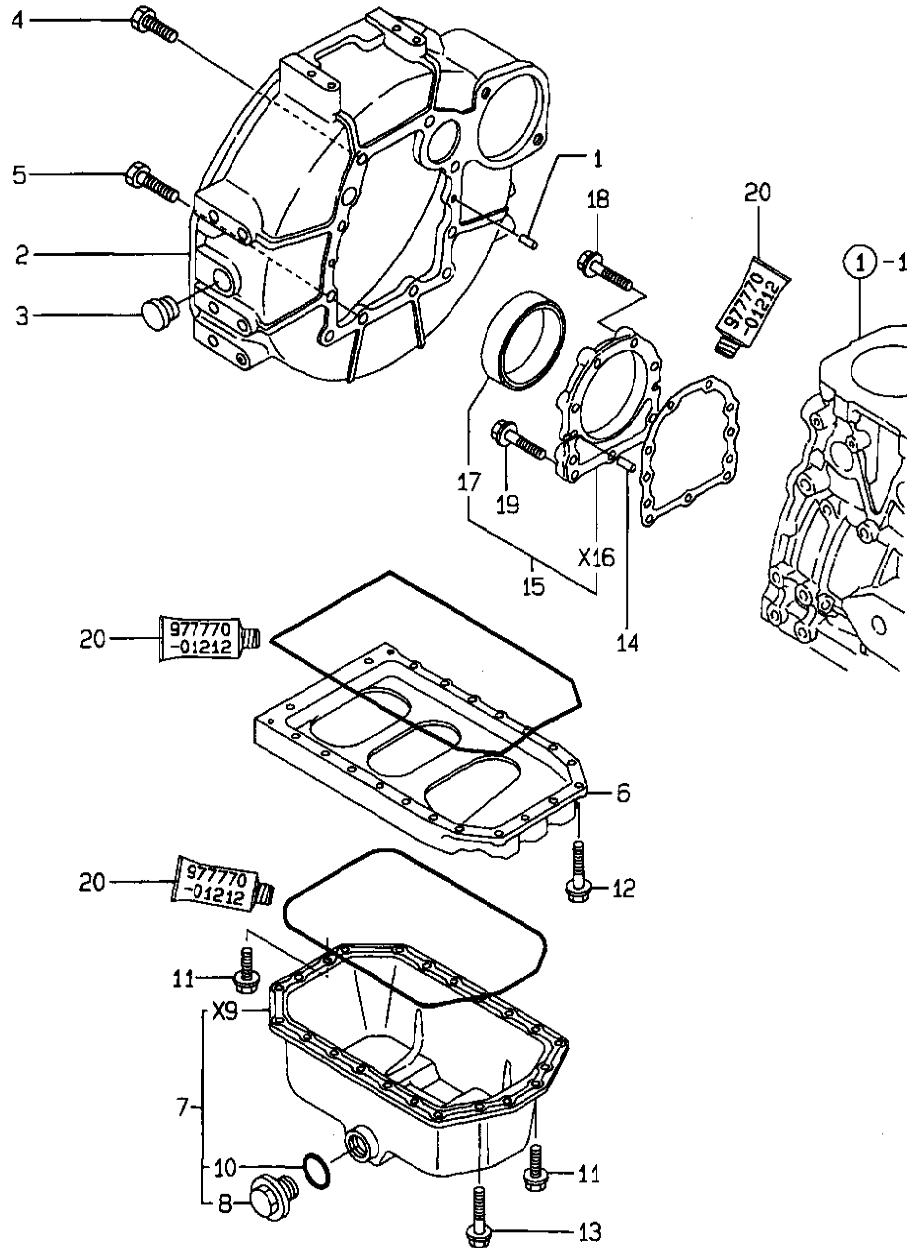
(A)=3TNE88-PG (D)=
(B)= (E)=
(C)= (F)=

REF.	LEV.	PARTS NO.	DESCRIPTION	QTY					
				(A)	(B)	(C)	(D)	(E)	(F)
1	1	719810-01500	HOUSING ASSY, GEAR	1					
3	2	129795-01800	SEAL, OIL	1					
4	1	129400-01520	FLANGE, GEARS HOUSING	1					
5	1	121450-01560	STUD M 8X 22	3					
6	1	124160-01751	CAP, LUB.OIL SUPPLY	1					
7	1	124240-01871	COVER, HO-P	1					
8	1	124240-01883	GASKET, (NON-ASB.)	1					
9	1	129795-01950	PIPE, KNOCK L=18	2					
10	1	129150-03100	RETAINER	1					
11	1	121850-51960	O-RING, F.I.PUMP	1					
12	1	24311-000160	O-RING 1A P-16.0	2					
13	1	24311-000320	O-RING 1A P-32.0	1					
14	1	26106-080122	BOLT M 8X 12 PLATED	4					
15	1	26106-080162	BOLT M 8X 16 PLATED	1					
16	1	26106-080162	BOLT M 8X 16 PLATED	3					
17	1	26106-080202	BOLT M 8X 20 PLATED	2					
18	1	26106-080452	BOLT M 8X 45 PLATED	6					
19	1	26106-080552	BOLT M 8X 55 PLATED	3					
20	1	26106-080852	BOLT M 8X 85 PLATED	4					
20-1	1	129001-91840	BOLT M 8X 85 PLATED	4					
(A=E16633)									
21	1	26366-080002	NUT M 8	3					
22	1	22190-080002	SEAL WASHER 8S	4					
23	1	22190-080002	SEAL WASHER 8S	1					
24	1	121023-01550	COVER, BLIND	1					
25	1	24341-000240	O-RING 1A S-24.0	1					
26	1	26106-060162	BOLT M 6X 16 PLATED	2					
27	1	977770-01212	GASKET, LIQUID	1					

Remarks
(1) OPTIONAL PART.

Fig.3.FLYWHEEL HOUSING & OIL SUMP

3.FLYWHEEL HOUSING & OIL SUMP



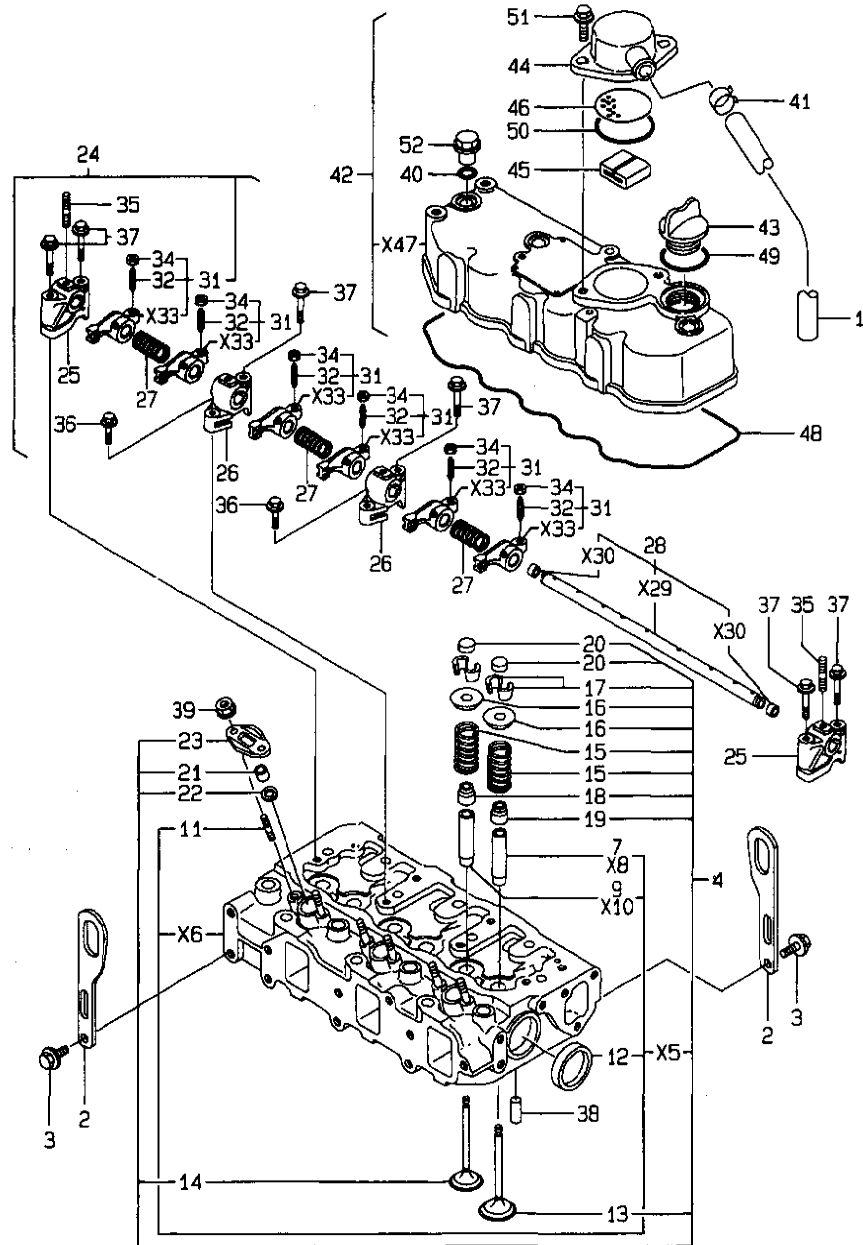
Remarks
(1) OPTIONAL PART.

(A)=3TNE88-PG (D)=
(B)= (E)=
(C)= (F)=

REF.	LEV.	PARTS NO.	DESCRIPTION	QTY					
				(A)	(B)	(C)	(D)	(E)	(F)
1	1	129100-01580	PARALLEL PIN 8X16	2					
2	1	171420-01600	HOUSING, FLYWHEEL	1					
3	1	119620-01750	CAP, FLYWHEEL COVER	1					
4	1	26206-100252	BOLT M10X25	6					
5	1	26206-100302	BOLT M10X30	4					
6	1	129100-01730	SPACER, OIL SUMP	1					
7	1	129100-01760	SUMP ASSY, OIL	1					
8	2	171301-01640	PLUG M22	1					
10	2	24341-000250	O-RING 1A S-25.0	1					
11	1	26106-080162	BOLT M 8X 16 PLATED	4					
12	1	26106-080252	BOLT M 8X 25 PLATED	2					
13	1	26106-080452	BOLT M 8X 45 PLATED	20					
14	1	129100-01580	PARALLEL PIN 8X16	2					
15	1	129100-01640	CASE ASSY, OIL SEAL	1					
17	2	129795-01780	SEAL OIL	1					
18	1	129486-01670	BOLT M8X30,COLLAR HD	6					
19	1	26106-080352	BOLT M 8X 35 PLATED	3					
20	1	97770-01212	GASKET, LIQUID	1					

Fig.4.CYLINDER HEAD & BONNET

4. CYLINDER HEAD & BONNET



x-MARK PARTS: NOT SOLD SEPARATELY.

Remarks
(1) REPAIR PART.

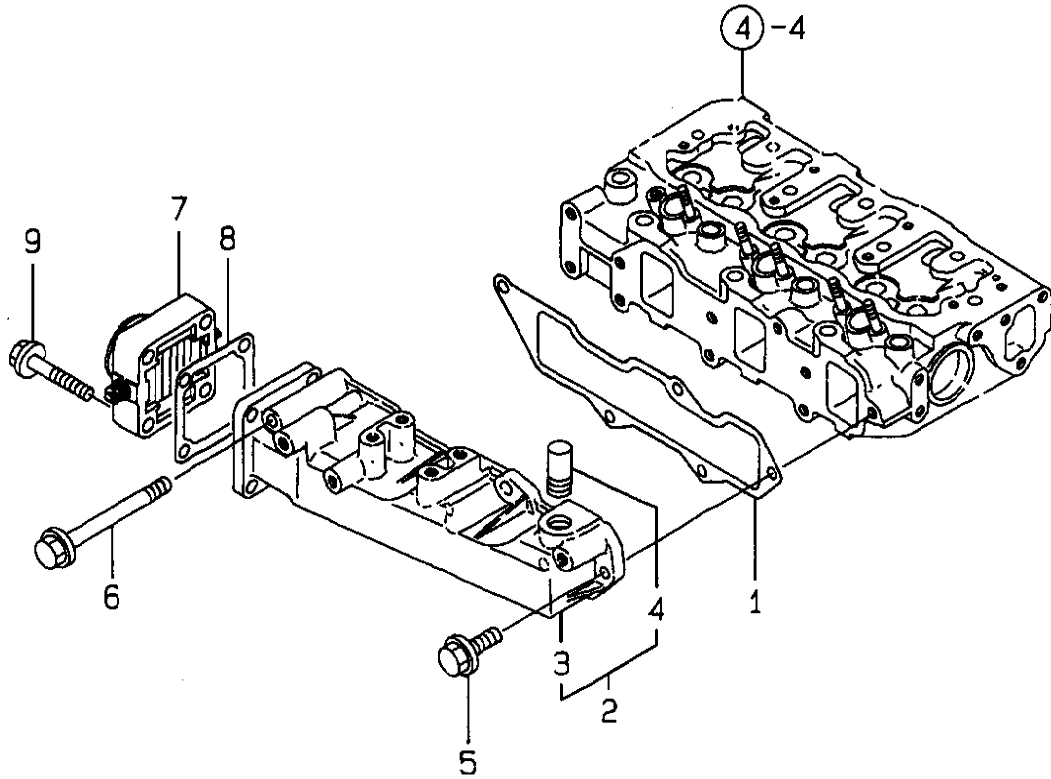
(A)=3TNE88-PG (D)=
(B)= (E)=
(C)= (F)=

REF.	LEV.	PARTS NO.	DESCRIPTION	Q'TY					
				(A)	(B)	(C)	(D)	(E)	(F)
1	1	129219-03100	HOSE	1					
2	1	124736-07900	LIFTER, ENGINE	2					
3	1	26106-080142	BOLT M 8X 14 PLATED	4					
4	1	129001-11700	HEAD ASSY, CYLINDER	1					
7	3	120130-11860	GUIDE, VALVE	3					
9	3	129150-11810	GUIDE, VALVE	3					
11	3	26218-060202	STUD M 8X 20 PLATED	6					
12	3	27241-400000	PLUG 40	2					
13	2	129100-11100	VALVE, INTAKE	3					
14	2	129100-11110	VALVE, EXHAUST	3					
15	2	129795-11120	SPRING, VALVE	6					
16	2	129795-11180	RETAINER, SPRING	6					
17	2	27310-080000	COTTER 8	6					
18	2	121400-11340	SEAL, VALVE STEM	3					
19	2	124460-11340	SEAL, VALVE STEM	3					
20	2	129150-11370	CAP, VALVE	6					
21	2	119625-11870	PROTECTOR, NOZZLE	3					
22	2	119625-11880	SEAT, NOZZLE	3					
23	2	119625-11900	RETAINER	3					
24	1	129100-11240	SHAFT ASSY, ROCKER	1					
25	2	129155-11260	SUPPORT, ROCKER ARM	2					
26	2	129155-11270	SUPPORT, ROCKER ARM	2					
27	2	129150-11280	SPRING	3					
28	2	129150-11290	SHAFT, ROCKER ARM	1					
31	2	129100-11650	ARM ASSY, ROCKER	6					
32	3	129150-11230	SCREW, VALVE	6					
34	3	129150-11750	NUT M8XP1.0	6					
35	2	26226-080182	STUD M 8X 18 PLATED	3					
36	1	26106-080252	BOLT M 8X 25 PLATED	2					
37	1	26106-080502	BOLT M 8X 50 PLATED	6					
38	1	22351-060012	SPRING PIN 6X12	2					
39	1	26366-060002	NUT M 6	6					
40	1	24311-000120	O-RING 1A P 12.0	3					
41	1	129410-03990	CLAMP 24	2					
42	1	129100-11350	BONNET ASSY	1					
43	2	124160-01751	CAP, LUB.OIL SUPPLY	1					
44	2	129150-03020	COVER, BREATHER	1					
45	2	129150-03070	BAFFLE, BREATHER	1					
46	2	129150-03080	PLATE, SHELTER	1					
48	2	129150-11310	GASKET, BONNET	1					
49	2	24311-000320	O-RING 1A P-32.0	1					
50	2	24341-000500	O-RING 1A S-50.0	1					
51	2	26106-080162	BOLT M 8X 16 PLATED	2					
52	1	124160-11360	KNOB	3					

Y00V5210

Fig.5.SUCTION MANIFOLD

5. SUCTION MANIFOLD



Y00V5210 5.SUCTION MANIFOLD

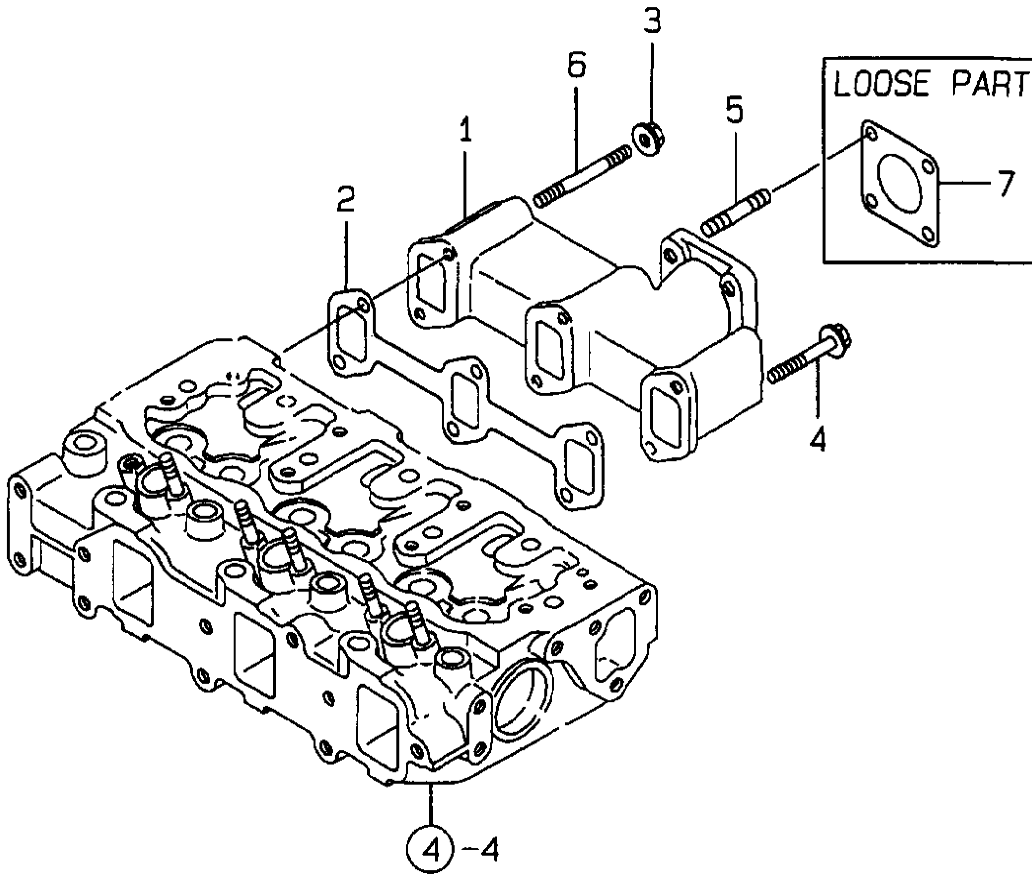
(A)=3TNE88-PG (D)=
(B)= (E)=
(C)= (F)=

REF.	LEV.	PARTS NO.	DESCRIPTION	QTY					
				(A)	(B)	(C)	(D)	(E)	(F)
1	1	129001-12110	GASKET,INT. MANIFOLD	1					
2	1	129219-12700	MANIFOLD ASSY	1					
3	2	129219-12100	MANIFOLD	1					
4	2	104407-44480	JOINT	1					
5	1	26106-080202	BOLT M 8X 20 PLATED	4					
6	1	26106-080802	BOLT M 8X 80 PLATED	1					
7	1	129120-77501	HEATER, AIR	1					
8	1	129150-77511	GASKET, (NON-ASB.)	1					
9	1	26106-080352	BOLT M 8X 35 PLATED	4					

Y00V5210

Fig.6.EXHAUST MANIFOLD

6.EXHAUST MANIFOLD



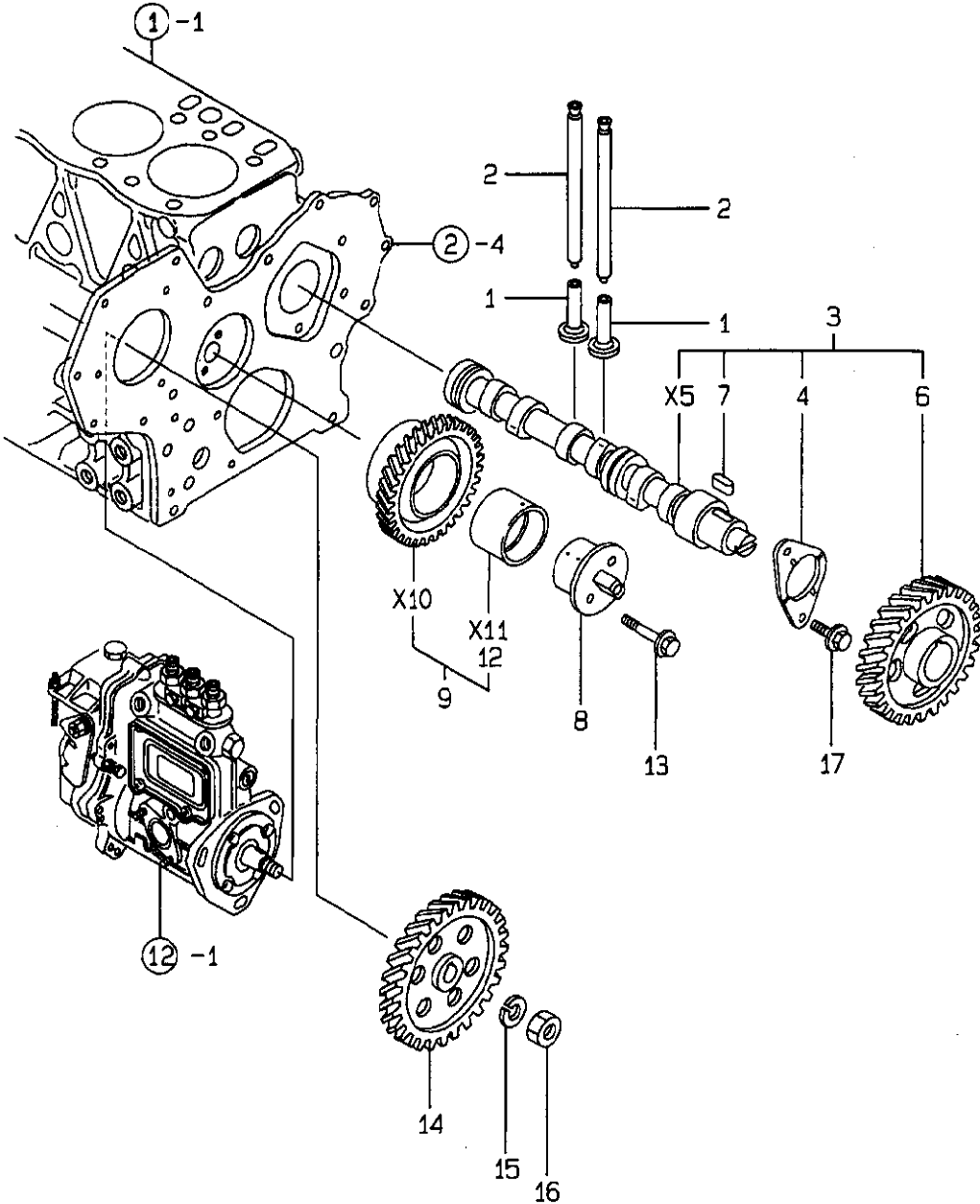
Y00V5210 6.EXHAUST MANIFOLD

(A)=3TNE88-PG (D)=
(B)= (E)=
(C)= (F)=

REF.	LEV.	PARTS NO.	DESCRIPTION	QTY					
				(A)	(B)	(C)	(D)	(E)	(F)
1	1	129100-13110	MANIFOLD,EXHAUST	1					
2	1	129150-13110	GASKET, EXH.MANIFOLD	1					
3	1	26366-080002	NUT M 8	2					
4	1	26106-080802	BOLT M 8X 80 PLATED	4					
5	1	26216-080222	STUD M 8X 22 PLATED	4					
5-1	1	119131-18320	BOLT M 8X 22	4					
(A=E16026)									
6	1	26216-080802	STUD M 8X 80 PLATED	2					
7	1	124701-11911	GASKET, (NON-ASB.)	1					

Fig.7.CAMSHAFT & DRIVING GEAR

7.CAMSHAFT & DRIVING GEAR



Y00V5210 7.CAMSHAFT & DRIVING GEAR

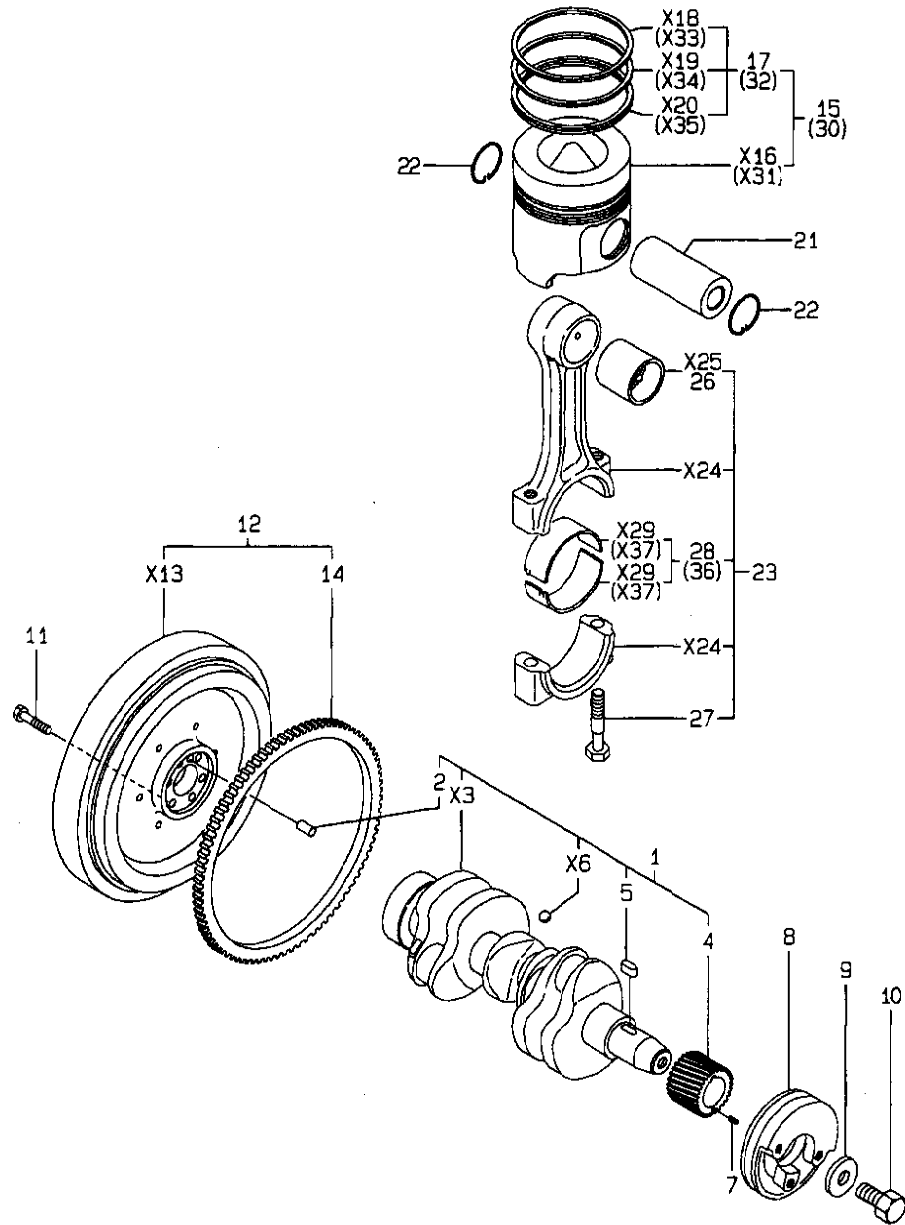
(A)=3TNE88-PG (D)=
 (B)= (E)=
 (C)= (F)=

REF.	LEV.	PARTS NO.	DESCRIPTION	Q'TY					
				(A)	(B)	(C)	(D)	(E)	(F)
1	1	129150-14200	TAPPET	6					
2	1	129150-14400	ROD, PUSH	6					
3	1	129129-14580	CAMSHAFT ASSY	1					
4	2	129150-02450	METAL, THRUST	1					
6	2	129150-14101	GEAR, CAMSHAFT	1					
7	2	22512-070140	KEY 7X 14	1					
8	1	129100-25061	SHAFT, IDLE GEAR	1					
9	1	129150-25101	GEAR W/BUSH	1					
12	2	129150-25920	BUSH, IDLE GEAR	1					
13	1	26106-080452	BOLT M 8X 45 PLATED	2					
14	1	129150-25900	GEAR, FUEL INJ. PUMP	1					
15	1	22217-120000	SPRING WASHER	1					
16	1	26716-120002	NUT 12	1					
17	1	26106-080142	BOLT M 8X 14 PLATED	2					

Remarks
 (1) REPAIR PART.

Fig.8.CRANKSHAFT & PISTON

8.CRANKSHAFT & PISTON



Remarks
 (1) REPAIR PART.
 (2) OVER-SIZE(O.S=0.25)PART.
 (3) UNDER-SIZE(U.S=0.25)PART.

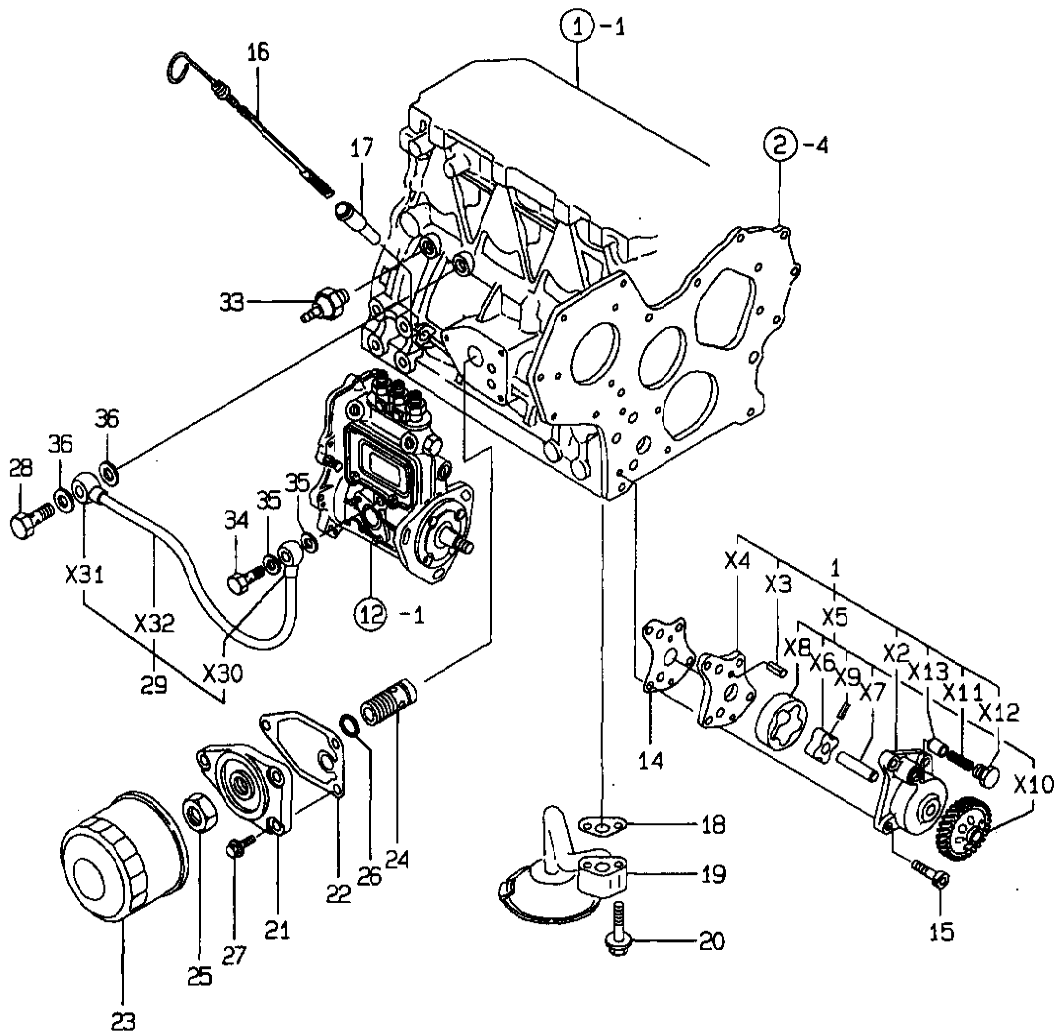
Y00V5210 8.CRANKSHAFT & PISTON

(A)=3TNE88-PG (D)=
 (B)= (E)=
 (C)= (F)=

REF.	LEV.	PARTS NO.	DESCRIPTION	Q'TY					
				(A)	(B)	(C)	(D)	(E)	(F)
1	1	129001-21000	CRANKSHAFT ASSY	1					
2	2	129100-01580	PARALLEL PIN 8X16	1					
4	2	129150-21200	GEAR, CRANKSHAFT	1					
5	2	22512-070140	KEY 7X 14	1					
7	1	22351-040010	SPRING PIN 4X10	1					
8	1	129150-21650	V-PULLEY	1					
9	1	129795-21661	WASHER	1					
10	1	121850-21680	BOLT, V-PULLEY	1					
11	1	121111-21501	BOLT, FLYWHEEL	6					
12	1	171340-21590	FLYWHEEL W/RING GEAR	1					
14	2	124550-21600	RING GEAR	1					
15	1	129001-22081	PISTON W/RINGS	3					
17	2	129001-22500	RING SET, PISTON	3					
21	1	129202-22300	PIN,PISTON	3					
22	1	22252-000260	CIRCLIP 26	6					
23	1	729402-23100	ROD ASSY, CONNECTING	3					
26	2	129100-23910	BUSH, PISTON PIN	3					
27	2	121550-23200	BOLT, CONNECTING ROD	6					
28	2	129150-23600	BEARING, CRANKPIN	3					
30	1	129001-22901	PISTON W/RING OS= 25	3					
32	2	129001-22950	RING SET O.S=0.25	3					
36	1	129150-23610	METAL.PIN US=0.25	3					

Fig.9.LUB.OIL SYSTEM

9.LUB.OIL SYSTEM



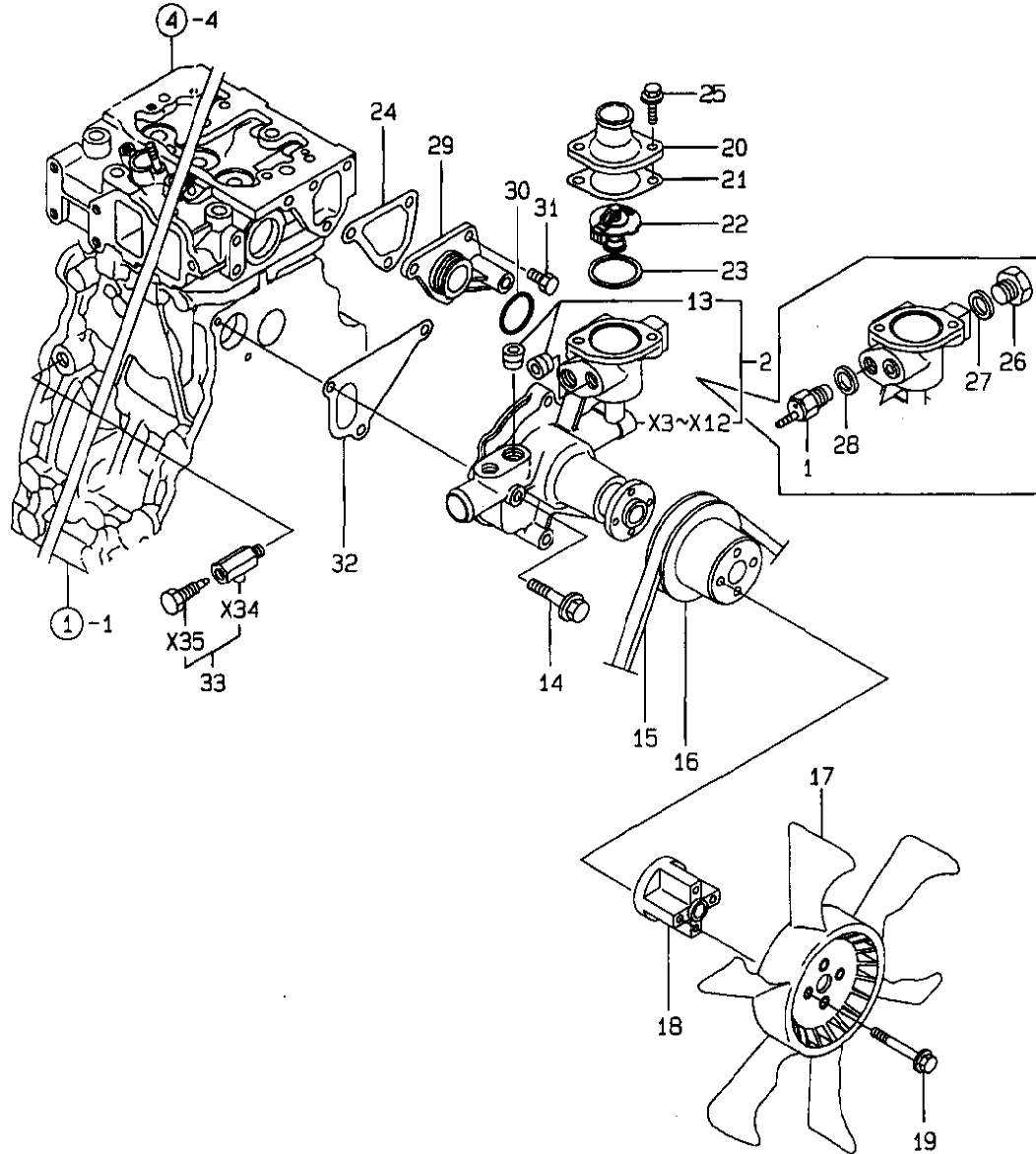
Y00V5210 9.LUB.OIL SYSTEM

(A)=3TNE88-PG (D)=
 (B)= (E)=
 (C)= (F)=

REF.	LEV.	PARTS NO.	DESCRIPTION	Q'TY					
				(A)	(B)	(C)	(D)	(E)	(F)
1	1	129001-32001	PUMP ASSY, LUB. OIL	1					
14	1	129150-32020	GASKET, L.O. PUMP	1					
15	1	26450-060252	BOLT M 8X 25	4					
16	1	171420-34820	DIPSTICK, LUB. OIL	1					
17	1	121520-34810	GUIDE, DIPSTICK	1					
18	1	129150-35041	GASKET, (NON-ASB.)	1					
19	1	129100-35301	PIPE ASSY, OIL INLET	1					
20	1	26106-080352	BOLT M 8X 35 PLATED	2					
21	1	129150-35101	BRACKET, STRAINER	1					
22	1	129150-35111	GASKET, (NON-ASB.)	1					
23	1	129150-35151	FILTER 80X80L	1					
24	1	129001-35300	BOLT,LUB.O. STRAINER	1					
25	1	129150-35350	NUT	1					
26	1	24311-000160	O-RING 1A P-16.0	1					
27	1	26106-080202	BOLT M 8X 20 PLATED	3					
28	1	124160-39140	BOLT 10, PIPE JOINT	1					
29	1	129150-39450	PIPE ASSY, LUB. OIL	1					
33	1	124160-39450	SWITCH, OIL PRESSURE	1					
34	1	124550-59820	BOLT 8, PIPE JOINT	1					
35	1	23414-080000	GASKET 8, ROUND	2					
36	1	23414-100000	GASKET 10, ROUND	2					

Fig.10.COOLING WATER SYSTEM

10.COOLING WATER SYSTEM



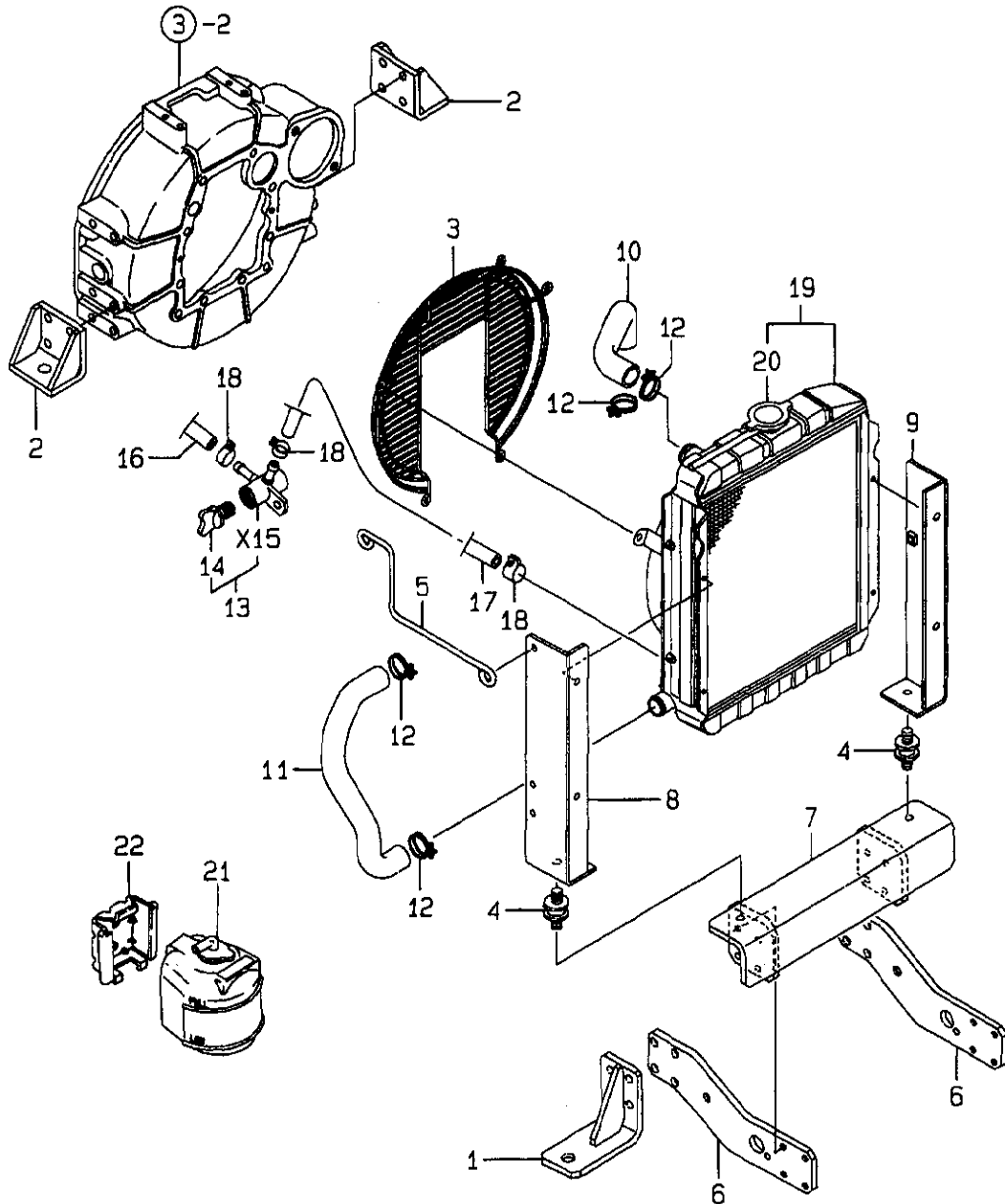
Y00V5210 10.COOLING WATER SYSTEM

(A)=3TNE88-PG (D)=
 (B)= (E)=
 (C)= (F)=

REF.	LEV.	PARTS NO.	DESCRIPTION	Q'TY					
				(A)	(B)	(C)	(D)	(E)	(F)
1	1	121250-44901	SWITCH, THERMO(110C	1					
2	1	129001-42002	PUMP ASSY, C.WATER	1					
13	2	23871-030000	PLUG PT3/8,SCREW	2					
14	1	26106-080602	BOLT M 8X 60 PLATED	3					
15	1	25132-003800	V-BELT (A-38)	1					
16	1	129155-42350	V-PULLEY, C.W. PUMP	1					
17	1	171340-44740	FAN, COOLING	1					
18	1	171353-44760	SPACER	1					
19	1	26106-060352	BOLT M 6X 35 PLATED	4					
20	1	129350-49560	COVER, THERMOSTAT	1					
21	1	129795-49551	GASKET, (NON-ASB.)	1					
22	1	129155-49800	THERMOSTAT	1					
23	1	129150-49811	GASKET, (NON-ASB.)	1					
24	1	129100-49840	GASKET, THERMO. CASE	1					
25	1	26106-080202	BOLT M 8X 20 PLATED	2					
26	1	121450-42450	PLUG M16	1					
27	1	124465-44950	GASKET 16	1					
28	1	124465-44950	GASKET 16	1					
29	1	129001-42040	JOINT	1					
30	1	24321-000300	O-RING G30	1					
31	1	26106-080162	BOLT M 8X 16 PLATED	3					
32	1	129100-42020	GASKET, C.W. PUMP	1					
33	1	119620-49290	COCK ASSY 1/4	1					

Fig.11.RADIATOR

11. RADIATOR

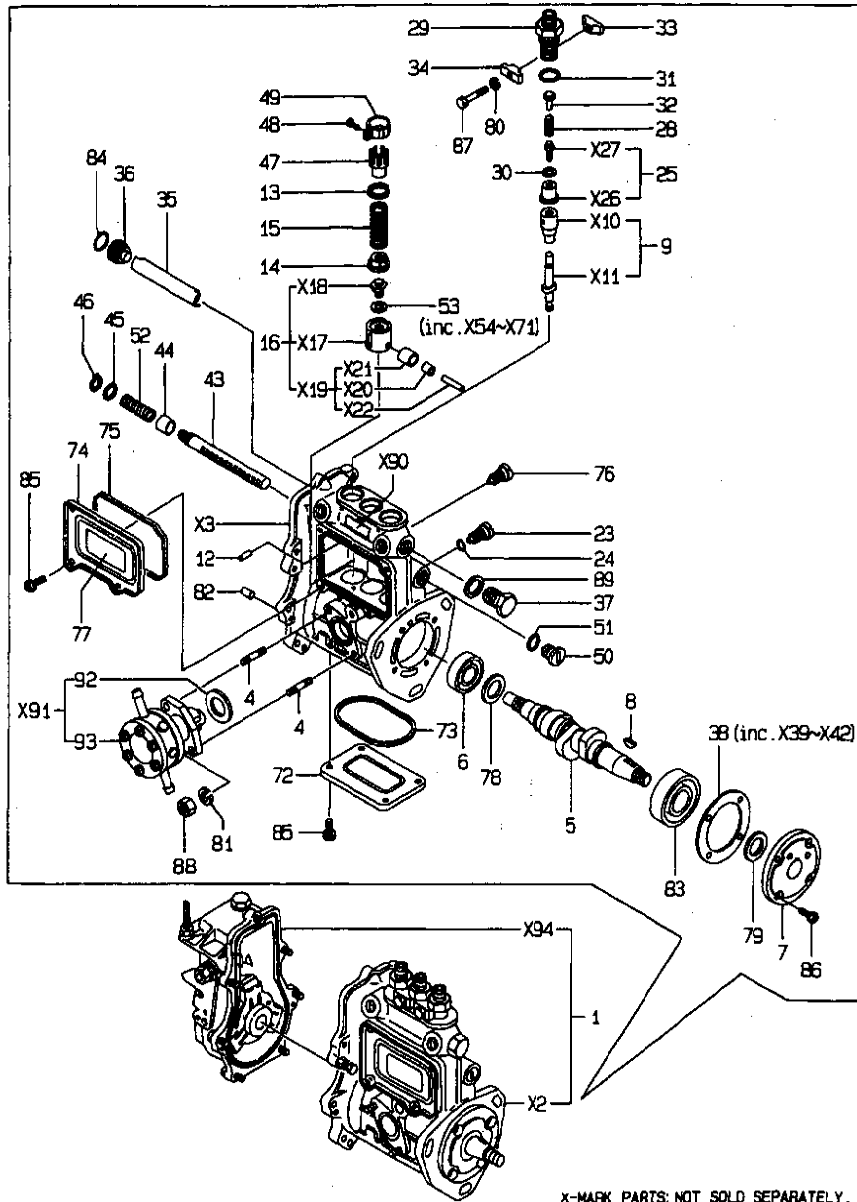


(A)=3TNE88-PG (D)=
 (B)= (E)=
 (C)= (F)=

REF.	LEV.	PARTS NO.	DESCRIPTION	Q'TY					
				(A)	(B)	(C)	(D)	(E)	(F)
1	1	129188-08100	BRACKET (A), ENGINE	2					
2	1	119888-08110	BRACKET (B), ENGINE	2					
3	1	129120-44560	PROTECTOR, FAN	1					
4	1	121400-44650	ABSORBER, SHOCK	2					
5	1	129211-44940	SUPPORT, RADIATOR	1					
6	1	129188-44950	BRACKET (A)	2					
7	1	129188-44960	BRACKET (B), RADIATOR	1					
8	1	129188-44970	SUPPORT (A)	1					
9	1	129188-44980	SUPPORT (B)	1					
10	1	171301-49010	PIPE (A), C. WATER	1					
11	1	129211-49020	PIPE (B), C. WATER	1					
12	1	23010-038000	CLAMP 38	4					
13	1	129150-49100	COCK ASSY, 3-WAY	1					
13-1	1	129550-49090	BODY, 2-WAY COCK	1					
(A=E19117)									
14	2	129150-49080	COCK, DRAIN	1					
(A=E19117)									
16	1	121737-49160	PIPE, WATER DRAIN	1					
(A=E19117)									
17	1	121520-49160	PIPE, WATER DRAIN	1					
18	1	124766-59050	CLAMP 12	4					
19	1	129420-44510	RADIATOR	1					
20	2	123682-44210	CAP	1					
21	1	120445-44530	RESERVOIR	1					
22	1	120445-44540	BRACKET, SUB-TANK	1					

Fig.12.FUEL INJECTION PUMP

12.FUEL INJECTION PUMP



X-MARK PARTS: NOT SOLD SEPARATELY.

Remarks
 (1) GOVERNOR ASSY(FIG.13) IS
 INCORPORATED IN THIS FOP.CMP
 (REF.NO.1,1-1).

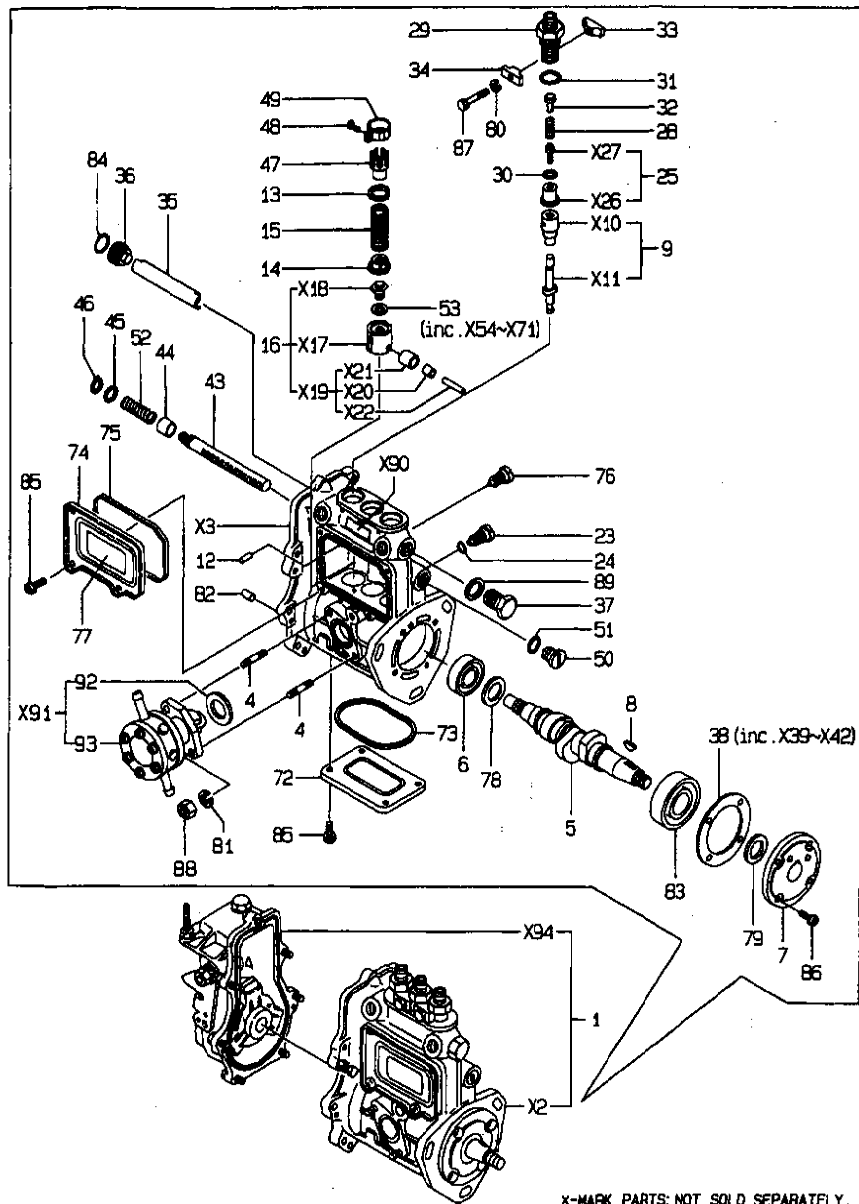
(A)=3TNE88-PG (D)=
 (B)= (E)=
 (C)= (F)=

REF.	LEV.	PARTS NO.	DESCRIPTION	Q'TY					
				(A)	(B)	(C)	(D)	(E)	(F)
1	1	729209-51300	FUEL INJECTION PUMP	1					
1-1	1	729002-51310	PUMP ASSY, F.INJECT	1					
(A=E19117)									
4	3	129155-51020	STUD, FEED PUMP		2				
5	3	119810-51040	CAMSHAFT		1				
6	3	129155-51050	BALL BEARING, THRUST		1				
7	3	129155-51060	CAM SHAFT SUPPORT		1				
8	3	122710-51090	KEY		1				
9	3	129506-51100	PLUNGER W/BARREL		3				
12	3	129155-51140	PIN, BARREL LOCKING		3				
13	3	174307-51170	RETAINER A		3				
14	3	129155-51180	SPRING SHOE, PLUNGER		3				
15	3	124950-51190	SPRING, PLUNGER		3				
16	3	129155-51200	TAPPET ASSY		3				
23	3	129155-51270	LOCKING, TAPPET		3				
24	3	129155-51280	O-RING S6		3				
25	3	129100-51300	VALVE W/SEAT, DELIV.		3				
28	3	129155-51320	SPRING, DELIV. VALVE		3				
29	3	129155-51340	GUARD, DELIVERY VALVE		3				
30	3	124550-51350	GASKET, DELIVERY		3				
31	3	124550-51370	O-RING, DELIVERY		3				
32	3	129155-51370	STOPPER, VALVE		3				
33	3	129155-51380	LOCKING (A)		2				
34	3	129155-51390	LOCKING (B)		2				
35	3	129155-51400	DEFLECTOR		1				
36	3	129155-51410	CHECK BOLT, DEFLECTOR		1				
37	3	129155-51420	PLUG (M16)		1				
38	3	129155-51450	SHIM SET, ADJUSTING		1				
43	3	129155-51500	RACK, CONTROL		1				
44	3	129155-51521	BUSH, RACK		1				
45	3	129155-51530	SPACER, AUX. SPRING		1				
46	3	129155-51540	CIRCLIP		1				
47	3	129155-51550	PINION, CONTROL		3				
48	3	122117-51560	SCREW, PINION		3				
49	3	174307-51560	PINION		3				
50	3	129155-51570	PLUG (M12)		1				
51	3	129155-51580	O-RING		1				
52	3	129155-51591	SPRING, RACK		1				
53	3	129155-51600	SHIM PACK		3				
72	3	129155-51700	COVER, LOWER		1				
73	3	129155-51710	GASKET, LOWER COVER		1				
74	3	129155-51750	COVER, SIDE		1				
75	3	129155-51760	GASKET, SIDE COVER		1				
76	3	129155-51790	LOCKING, RACK		1				
77	3	129156-51910	LABEL, CAUTION		1				
78	3	129155-51930	SPACER T=3.25		1				
79	3	129155-51940	SPACER T=1.5		1				
80	3	22217-050000	SPRING WASHER 5		2				
81	3	22217-060000	SPRING WASHER 6		2				
82	3	22351-050010	SPRING PIN 5X10		2				
83	3	24101-063034	BALL BEARING		1				
84	3	24341-000160	O-RING 1A S-16.0		1				
85	3	26022-050102	SCREW M 5X 10		8				
86	3	26022-060162	SCREW M 6X 16		4				

++ CONTINUE ++

Fig.12.FUEL INJECTION PUMP

12.FUEL INJECTION PUMP



X-MARK PARTS: NOT SOLD SEPARATELY.

Remarks
 (1) GOVERNOR ASSY(FIG.13) IS
 INCORPORATED IN THIS FOP.CMP
 (REF.NO.1,1-1).

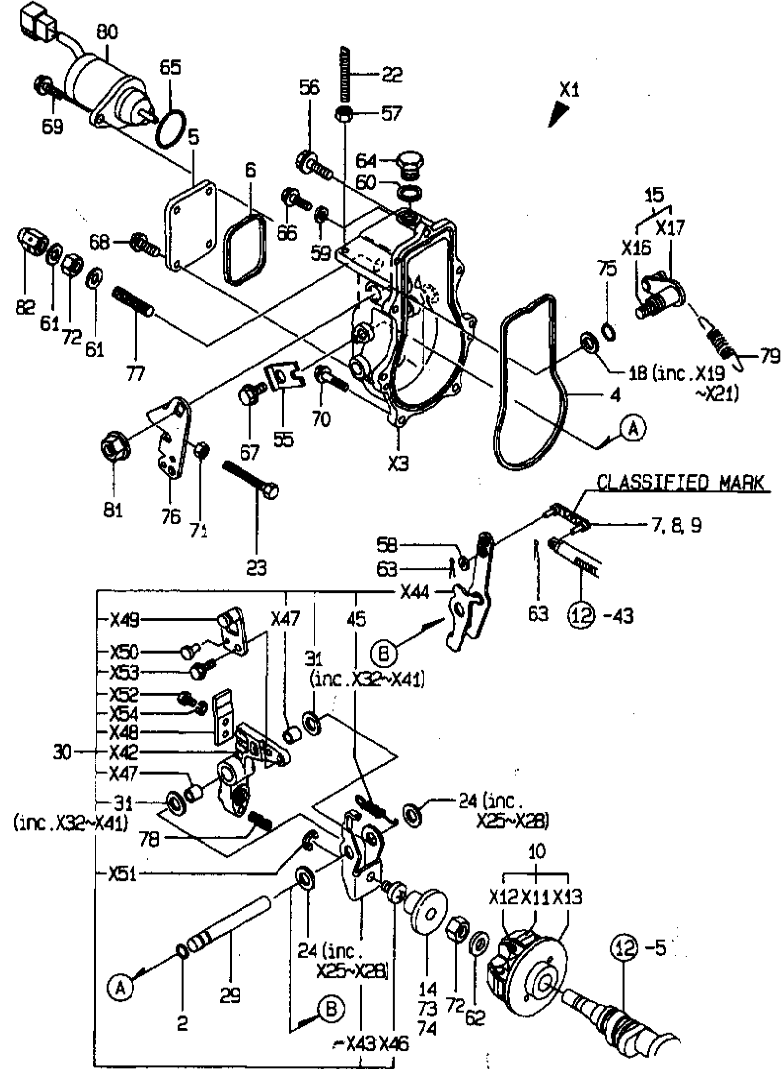
(A)=3TNE88-PG (D)=
 (B)= (E)=
 (C)= (F)=

REF.	LEV.	PARTS NO.	DESCRIPTION	Q'TY					
				(A)	(B)	(C)	(D)	(E)	(F)
87	3	28116-050302	BOLT M 5X 30 PLATED	2					
88	3	26716-060002	NUT 6	2					
89	3	22190-160002	SEAL WASHER 16S	1					
92	3	129155-52050	GASKET	1					
93	3	129100-52100	PUMP ASSY, FUEL FEED	1					

Fig.13.GOVERNOR

(A)=3TNE88-PG (D)=
(B)= (E)=
(C)= (F)=

13. GOVERNOR



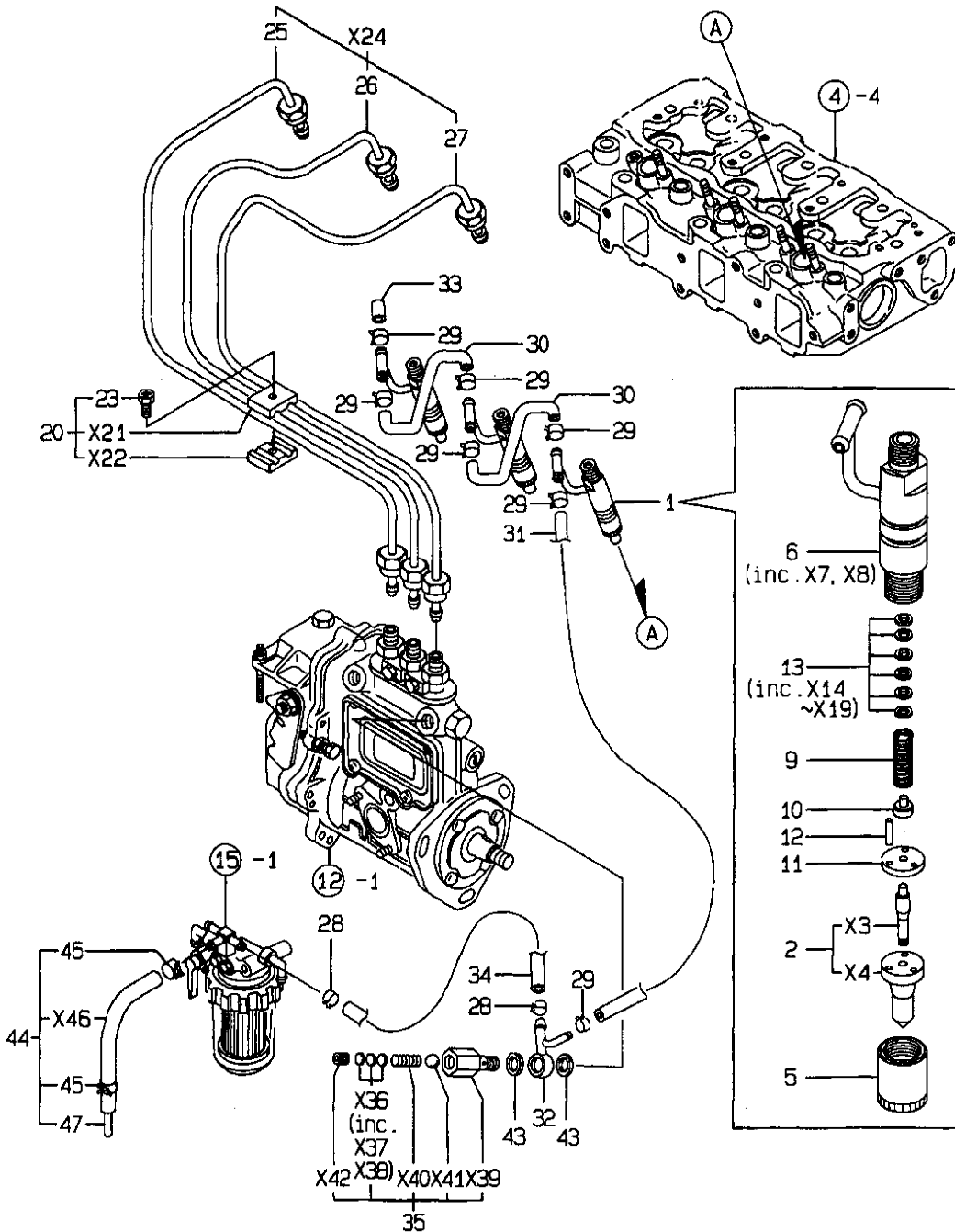
X-MARK PARTS: NOT SOLD SEPARATELY.

Remarks
(1) SELECTIVE PARTS: CERTAIN THE CLASSIFICATION MARK, THEN PLACE YOUR ORDER.(REFER TO ILLUSTRATION).
(2) SELECTIVE PARTS.
* THIS FIGURE(GOVERNOR ASSY)IS INCORPORATED IN THE FUEL INJECTION PUMP ASSY(FIG. 12).

REF.	LEV.	PARTS NO.	DESCRIPTION	Q'TY					
				(A)	(B)	(C)	(D)	(E)	(F)
2	3	129155-51280	O-RING S6	1					
4	3	129052-61050	PACKING	1					
5	3	129052-61060	COVER	1					
6	3	129052-61070	PACKING	1					
7	3	129155-61120	LINK L=30(MARK 0)	1					
8	3	129155-61130	LINK L=31(MARK 1)	1					
9	3	129155-61140	LINK L=30.5(MARK 05)	1					
10	3	171488-61200	WEIGHT ASSY, GOV.	1					
14	3	129155-61341	SLEEVE	1					
15	3	129100-61400	SHAFT ASSY,CONTROL	1					
18	3	129155-61430	SPACER, SHAFT	1					
22	3	129155-61450	BOLT, REVOL. LIMIT	1					
23	3	129155-61460	BOLT, IDLE LIMIT	1					
24	3	129155-61480	SPACER ASSY	2					
29	3	129052-61390	SHAFT, GOV. LEVER	1					
30	3	129412-61500	LEVER ASSY,GOVERNOR	1					
31	4	174307-51700	SHIM SET	2					
45	4	119843-61540	SPRING	1					
55	3	119660-61901	RETAINER, SHAFT	1					
56	3	129155-61950	BOLT, WASHER BASED	1					
57	3	124550-66370	LOCK NUT M 6	1					
58	3	22117-04000	WASHER 4	1					
59	3	22190-060002	SEAL WASHER 6S	1					
60	3	22190-100002	SEAL WASHER 10S	1					
61	3	22190-120002	SEAL WASHER 12	2					
62	3	22287-120000	WASHER 12	1					
63	3	22372-040000	SNAP PIN 4	2					
64	3	23887-100002	PLUG 10	1					
65	3	24341-000280	O-RING 1A S-28.0	1					
66	3	26106-060102	BOLT M 6X 10 PLATED	1					
67	3	26106-060102	BOLT M 6X 10 PLATED	1					
68	3	26106-060102	BOLT M 6X 10 PLATED	4					
69	3	26106-060142	BOLT M 6X 14 PLATED	2					
70	3	26106-060202	BOLT M 6X 20 PLATED	6					
71	3	26756-060002	LOCK NUT 6	1					
72	3	26776-120002	LOCK NUT M12 PLATED	2					
73	3	129155-61350	SLEEVE	1					
74	3	129155-61360	SLEEVE	1					
75	3	129155-61830	O-RING S10	1					
76	2	129100-61440	LEVER, CONTROL	1					
76-1	2	171488-61440	LEVER, CONTROL	1					
(A=E19117)									
77	2	129155-61470	BOLT, FUEL CONTROL	1					
78	2	129500-61650	SPRING, FUEL CONTROL	1					
79	2	129477-61720	SPRING, GOVERNOR	1					
80	2	119653-77950	SOLENOID, STOP	1					
81	2	26366-080002	NUT M 8	1					
82	2	26687-120002	CAP NUT M12	1					

Fig.14.FUEL INJECTION VALVE

14.FUEL INJECTION VALVE



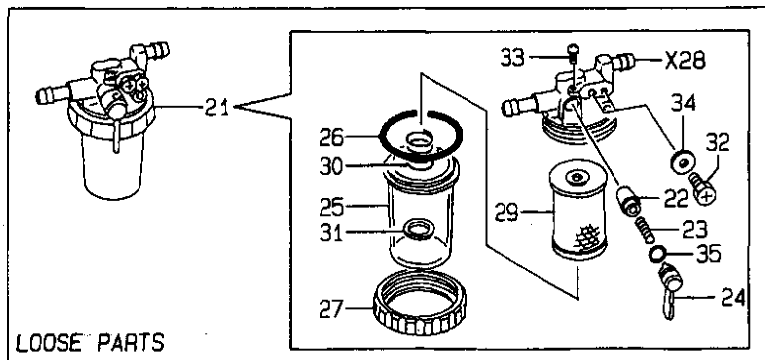
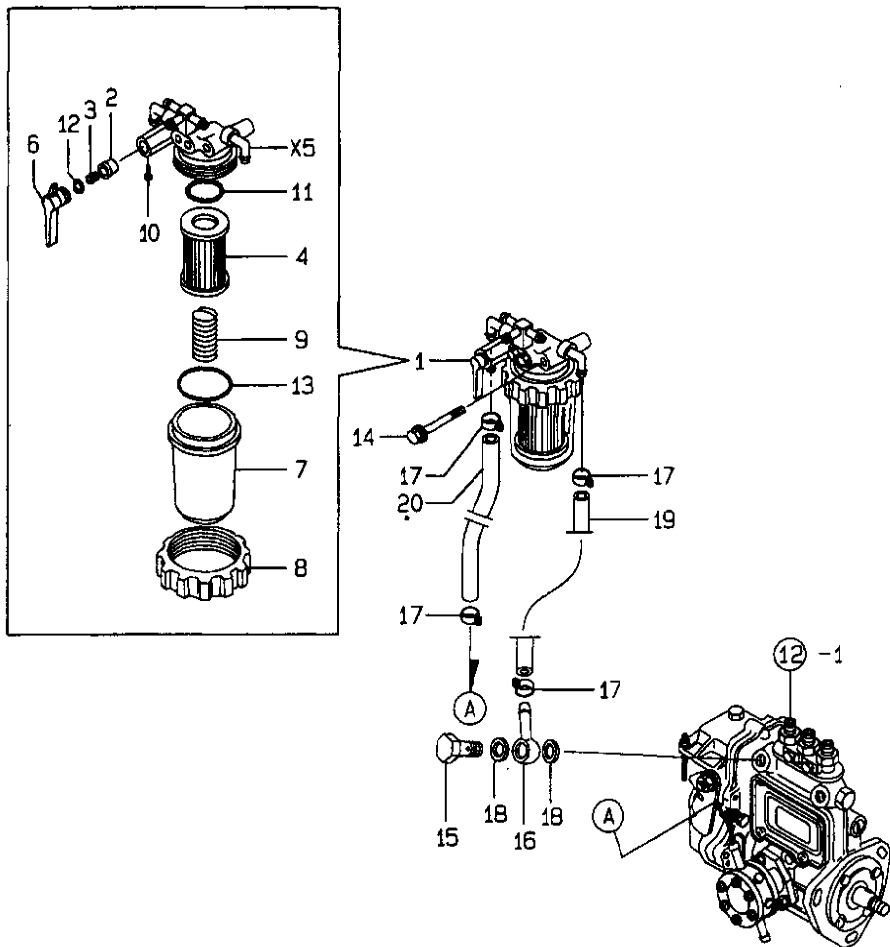
Y00V5210 14.FUEL INJECTION VALVE

(A)=3TNE88-PG (D)=
 (B)= (E)=
 (C)= (F)=

REF.	LEV.	PARTS NO.	DESCRIPTION	Q'TY					
				(A)	(B)	(C)	(D)	(E)	(F)
1	1	719810-53100	VALVE ASSY, F.INJECT	3					
2	2	119810-53000	NOZZLE ASSY,F.INJECT	3					
5	2	114250-53080	NUT, NOZZLE CASE	3					
6	2	129100-53100	HOLDER ASSY, NOZZLE	3					
9	2	114250-53120	SPRING, NOZZLE	3					
10	2	114250-53130	SEAT, NOZZLE SPRING	3					
11	2	114250-53140	PLATE, STOP	3					
12	2	114250-53210	PIN	6					
13	2	114250-53400	SHIM PACK	3					
20	1	119305-59120	RETAINER	2					
23	2	129150-59131	BOLT M4X14,HEX.SCKT.	2					
25	2	129002-59810	PIPE, FUEL INJECTION	1					
26	2	129002-59820	PIPE, FUEL INJECTION	1					
27	2	129002-59831	PIPE, FUEL INJECTION	1					
28	1	124766-59050	CLAMP 12	2					
29	1	124066-59100	CLAMP 8	7					
30	1	121250-59550	PIPE, FUEL	2					
31	1	119840-59560	PIPE, FUEL RETURN	1					
32	1	119840-59570	JOINT	1					
33	1	129150-59580	CAP	1					
34	1	105025-59750	PIPE, FUEL OIL	1					
35	1	129100-59951	VALVE ASSY, CHECK	1					
43	1	23414-120000	GASKET 12, ROUND	2					
44	1	119840-59601	BEND ASSY	1					
45	2	124766-59050	CLAMP 12	2					
47	2	119840-59621	JOINT	1					

Fig.15.FUEL LINE

15.FUEL LINE



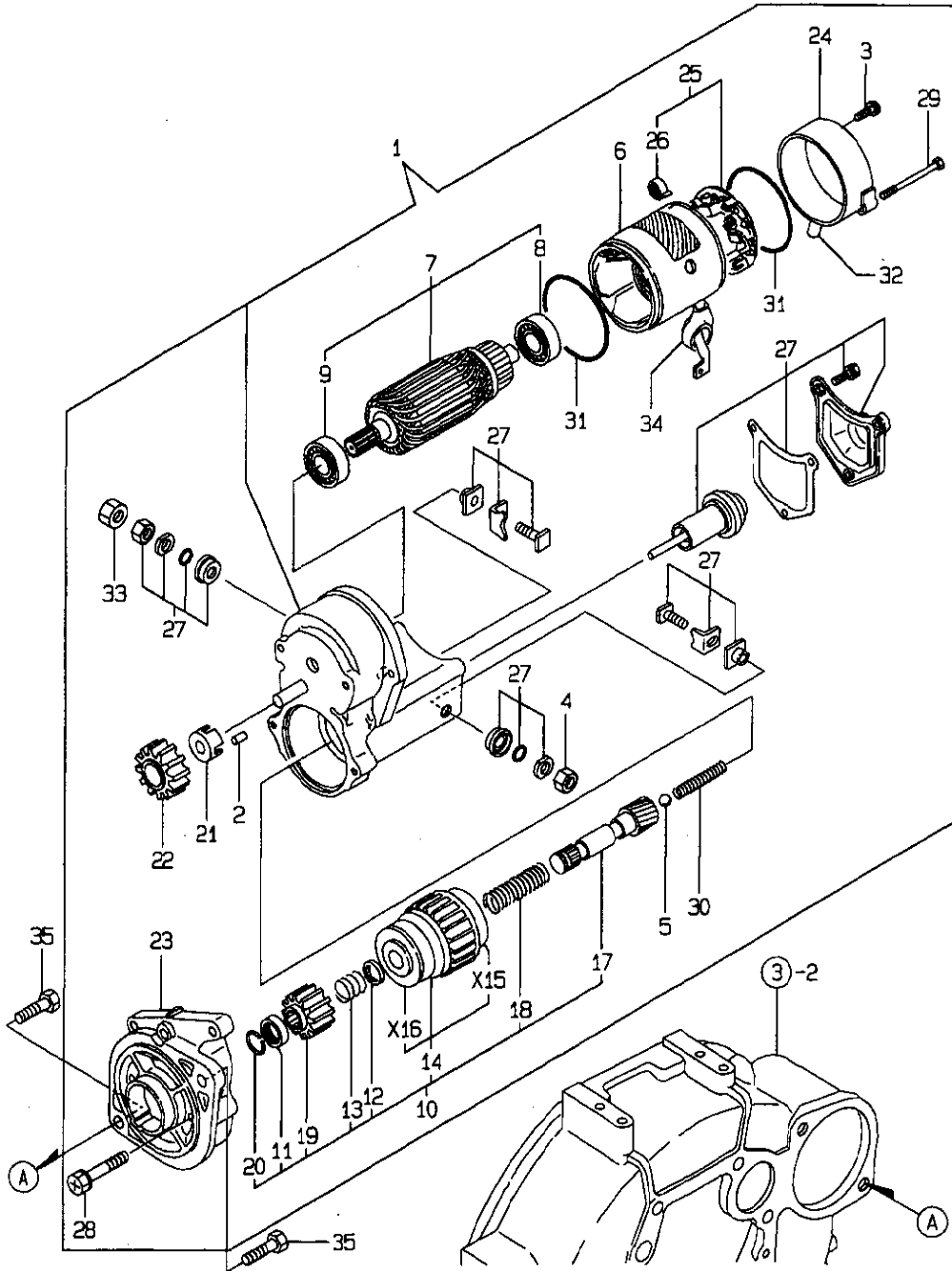
Y00V5210 15.FUEL LINE

(A)=3TNE88-PG (D)=
(B)= (E)=
(C)= (F)=

REF.	LEV.	PARTS NO.	DESCRIPTION	Q'TY					
				(A)	(B)	(C)	(D)	(E)	(F)
1	1	129052-55620	STRAINER ASSY, FUEL	1					
2	2	104200-55321	VALVE, TAPER	1					
3	2	104200-55330	SPRING, TAPER VALVE	1					
4	2	129100-55650	ELEMENT, FUEL	1					
6	2	129100-55670	LEVER	1					
7	2	129100-55680	CUP, STRAINER	1					
8	2	129100-55690	RING, RETAINING	1					
9	2	129100-55700	SPRING	1					
10	2	104200-55750	SCREW M 4	1					
11	2	24311-000160	O-RING 1A P-16.0	1					
12	2	24311-240100	O-RING 1A P-10A	1					
13	2	24321-000650	O-RING 1A G-65.0	1					
14	1	26014-080702	BOLT W/WASHER M8X 70	1					
15	1	103854-39140	BOLT, PIPE JOINT	1					
16	1	101304-59020	JOINT 12, PIPE	1					
17	1	124766-59050	CLAMP 12	4					
18	1	22190-120002	SEAL WASHER 12	2					
19	1	129150-59511	PIPE, FUEL OIL	1					
20	1	105025-59750	PIPE, FUEL OIL	1					
21	1	121850-55800	SEPARATOR ASSY, WATER	1					
22	2	104200-55321	VALVE, TAPER	1					
23	2	104200-55330	SPRING, TAPER VALVE	1					
24	2	104200-55341	HANDLE, COCK	1					
25	2	121254-55510	CUP, STRAINER	1					
26	2	102103-55520	O-RING	1					
27	2	110250-55610	RING, RETAINING	1					
29	2	121850-55710	SCREEN	1					
30	2	121257-55720	SPRING, SCREEN	1					
31	2	121257-55731	FLOAT	1					
32	2	101720-55750	PLUG 6	2					
33	2	104200-55750	SCREW M 4	1					
34	2	23418-060000	GASKET 6, NYLON	2					
35	2	24311-240100	O-RING 1A P-10A	1					

Fig.16.STARTING MOTOR

16. STARTING MOTOR



X-MARK PARTS: NOT SOLD SEPARATELY.

(A)=3TNE88-PG

(B)= (D)=

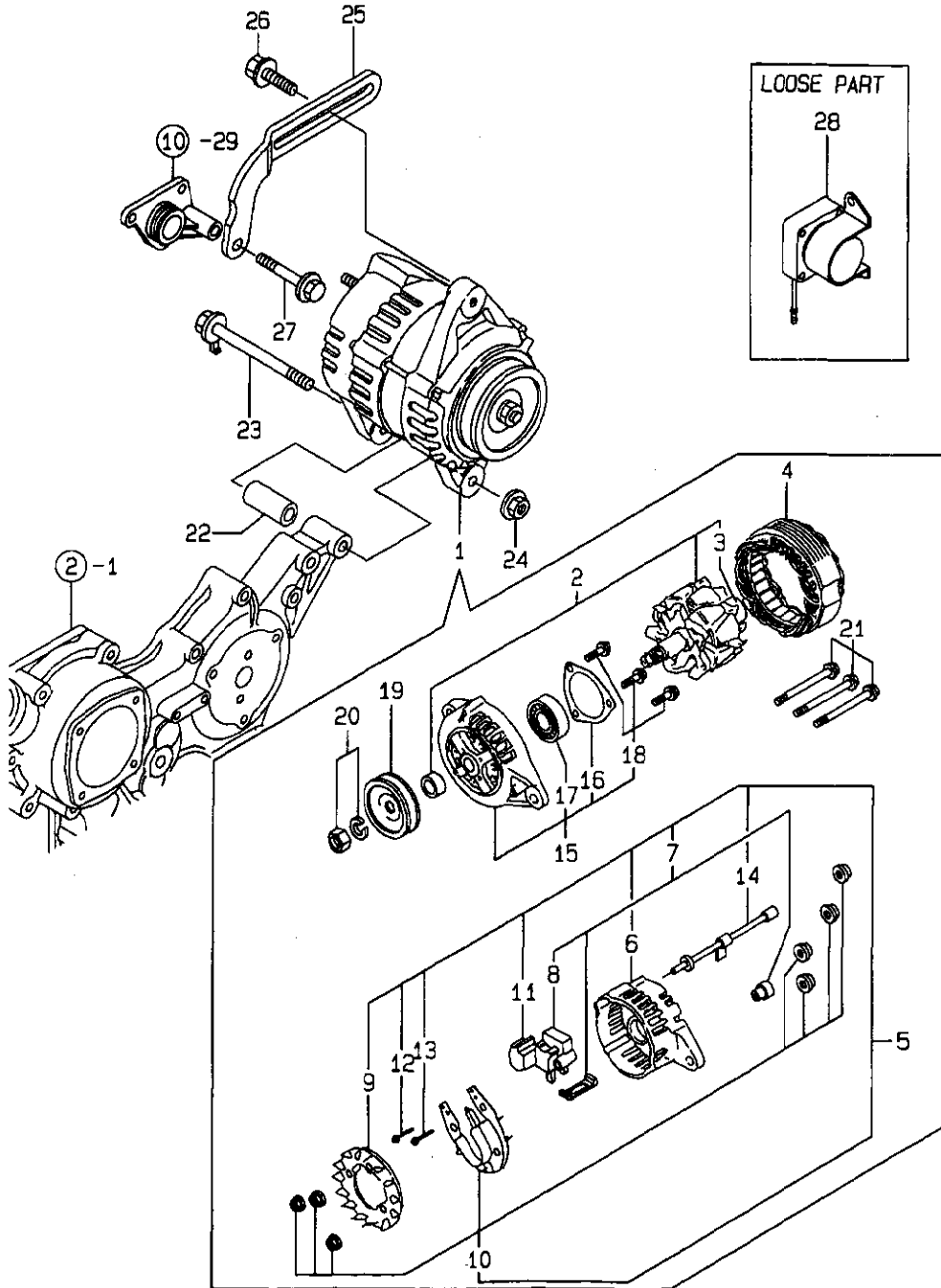
(C)= (E)=

(F)=

REF.	LEV.	PARTS NO.	DESCRIPTION	Q'TY					
				(A)	(B)	(C)	(D)	(E)	(F)
1	1	129129-77010	STARTER ASSY	1					
2	2	X0283060061	ROLLER	5					
3	2	129129-77460	SCREW	2					
4	2	X9490561370	NUT	1					
5	2	X9491200240	BALL	1					
6	2	129129-77210	YOKE ASSY	1					
7	2	129129-77220	ARMATURE ASSY	1					
8	3	129129-77230	BEARING	1					
9	3	129129-77240	BEARING	1					
10	2	129129-77250	STARTER ASSY	1					
11	3	X0280210230	NUT	1					
12	3	X0283270140	RETAINER	1					
13	3	X9491703371	SPRING, COIL	1					
14	3	129129-77390	CLUTCH ASSY, STARTER	1					
17	3	129129-77400	SHAFT	1					
18	3	129129-77410	SPRING, COIL	1					
19	3	129129-77420	PINION	1					
20	3	129129-77430	RING	1					
21	2	129129-77260	RETAINER	1					
22	2	129129-77270	PINION	1					
23	2	129129-77280	HOUSING	1					
24	2	129129-77290	FRAME	1					
25	2	129129-77300	HOLDER ASSY	1					
26	3	X9491730461	SPRING	4					
27	2	129129-77310	SWITCH ASSY	1					
28	2	129129-77320	BOLT	2					
29	2	129129-77330	BOLT	2					
30	2	129129-77340	SPRING	1					
31	2	129129-77350	O-RING	2					
32	2	129129-77362	COVER	1					
33	2	129129-77370	NUT	1					
34	2	129129-77380	CAP	1					
35	1	26116-120252	BOLT M12X 25 PLATED	2					

Fig.17.GENERATOR

17.GENERATOR



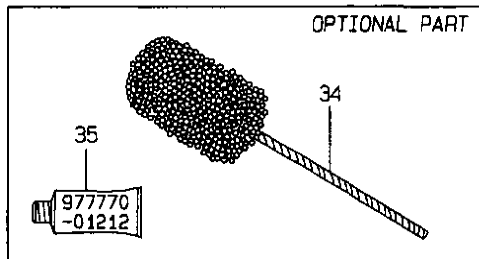
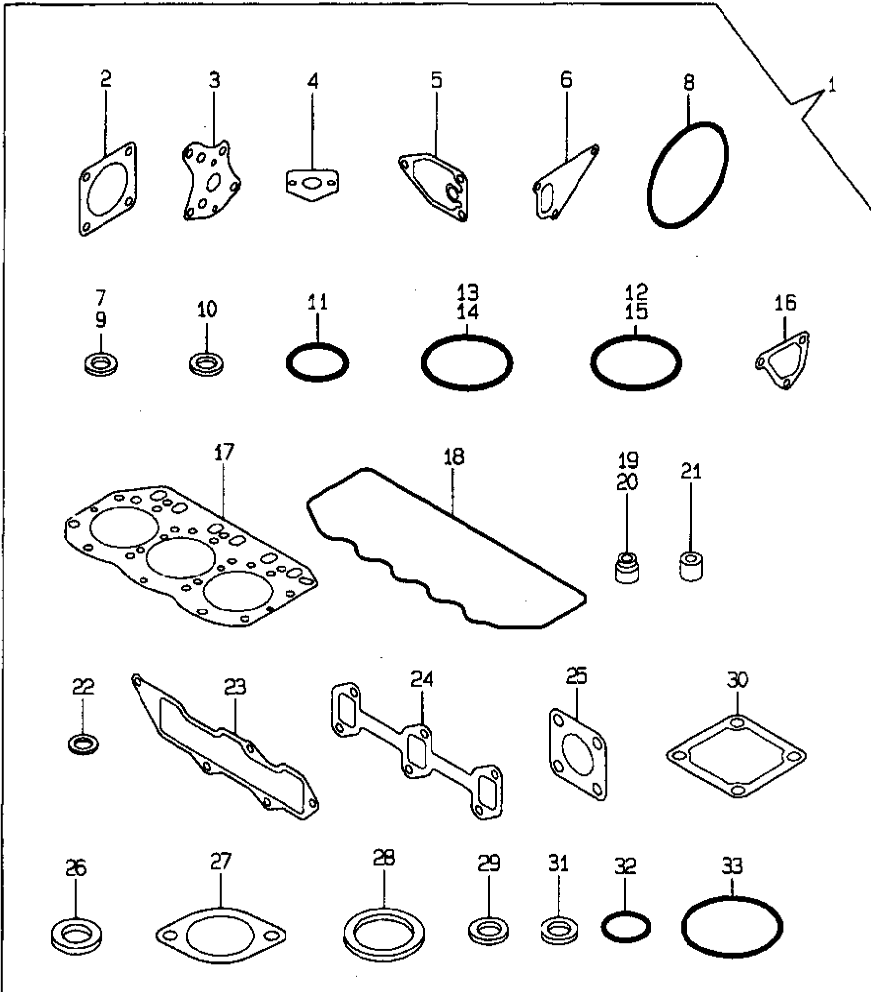
(A)=3TNE88-PG (D)=
(B)= (E)=
(C)= (F)=

REF.	LEV.	PARTS NO.	DESCRIPTION	Q'TY				
				(A)	(B)	(C)	(D)	(E)
1	1	119836-77200	GENERATOR	1				
2	2	119836-77700	ROTOR ASSY	1				
3	3	119836-77850	BALL BEARING	1				
4	2	119836-77710	STARTER ASSY	1				
5	2	119836-77721	COVER ASSY, REAR	1				
6	3	119836-77730	COVER, REAR	1				
7	3	119836-77741	BRUSH ASSY,REGULATOR	1				
8	4	119836-77750	BRUSH ASSY	1				
9	3	119836-77760	GUIDE, FAN SIDE	1				
10	3	119836-77770	DIODE ASSY	1				
11	3	119836-77780	CONDENSER	1				
12	3	119836-77871	BOLT (1)	1				
13	3	119836-77880	BOLT (2)	1				
14	3	119836-77890	WIRE ASSY, LEAD	1				
15	2	119836-77790	COVER ASSY, FRONT	1				
16	3	119836-77800	RETAINER, BEARING	1				
17	3	119836-77840	BALL BEARING	1				
18	3	119836-77860	SCREW KID	1				
19	2	119836-77810	PULLEY	1				
20	2	119836-77820	NUT ASSY, PULLEY	1				
21	2	119836-77830	BOLT, THROUGH	1				
22	1	119820-77340	SPACER	1				
23	1	129136-77250	BOLT M 8X105	1				
23-1	1	129136-77251	BOLT M 8X110	1				
(A=E16320)								
24	1	26366-080002	NUT M 8	1				
25	1	129100-77320	ADJUSTER, V-BELT	1				
26	1	26014-080252	BOLT M 8X 25	1				
26-1	1	119810-77340	BOLT	1				
(A=E16320)								
27	1	26106-080502	BOLT M 8X 50 PLATED	1				
28	1	129100-77910	RELAY, MAGNETIC	1				
29	1	119632-77920	TIMER	1				
(A=E19117)								
30	1	119650-77910	RELAY, GROW	1				
(A=E19117)								
31	1	119643-66900	DIODE	1				
(A=E19117)								

Fig.18.GASKET SET

(A)=3TNE88-PG (D)=
(B)= (E)=
(C)= (F)=

18. GASKET SET



Remarks
(1) OPTIONAL PART.

REF.	LEV.	PARTS NO.	DESCRIPTION	Q'TY					
				(A)	(B)	(C)	(D)	(E)	(F)
1	1	729030-92650	GASKET SET(NON-ASB.)	1					
2	2	124240-01883	GASKET, (NON-ASB.)	1					
3	2	129150-32020	GASKET, L.O. PUMP	1					
4	2	129150-35041	GASKET, (NON-ASB.)	1					
5	2	129150-35111	GASKET, (NON-ASB.)	1					
6	2	129100-42020	GASKET, C.W. PUMP	1					
7	2	22190-080002	SEAL WASHER 8S	5					
8	2	121850-51960	O-RING, F.I.PUMP	1					
9	2	23414-080000	GASKET 8, ROUND	2					
10	2	23414-100000	GASKET 10, ROUND	2					
11	2	24311-000160	O-RING 1A P-16.0	3					
12	2	24341-000500	O-RING 1A S-50.0	1					
13	2	24341-000240	O-RING 1A S-24.0	1					
14	2	24341-000250	O-RING 1A S-25.0	1					
15	2	24311-000320	O-RING 1A P-32.0	2					
16	2	129100-49840	GASKET, THERMO. CASE	1					
17	2	129001-01340	GASKET, (NON-ASB.)	1					
18	2	129150-11310	GASKET, BONNET	1					
19	2	121400-11340	SEAL, VALVE STEM	3					
20	2	124460-11340	SEAL, VALVE STEM	3					
21	2	119625-11870	PROTECTOR, NOZZLE	3					
22	2	119625-11880	SEAT, NOZZLE	3					
23	2	129001-12110	GASKET,INT. MANIFOLD	1					
24	2	129150-13110	GASKET, EXH.MANIFOLD	1					
25	2	124701-11911	GASKET, (NON-ASB.)	1					
26	2	124465-44950	GASKET 16	2					
27	2	129795-49551	GASKET, (NON-ASB.)	1					
28	2	129150-49811	GASKET, (NON-ASB.)	1					
29	2	22190-120002	SEAL WASHER 12	2					
30	2	129150-77511	GASKET, (NON-ASB.)	1					
31	2	23414-120000	GASKET 12, ROUND	2					
32	2	24311-000120	O-RING 1A P 12.0	3					
33	2	24321-000300	O-RING G30	1					
34	1	129400-92420	FLEX HORN	1					
35	1	977770-01212	GASKET, LIQUID	1					