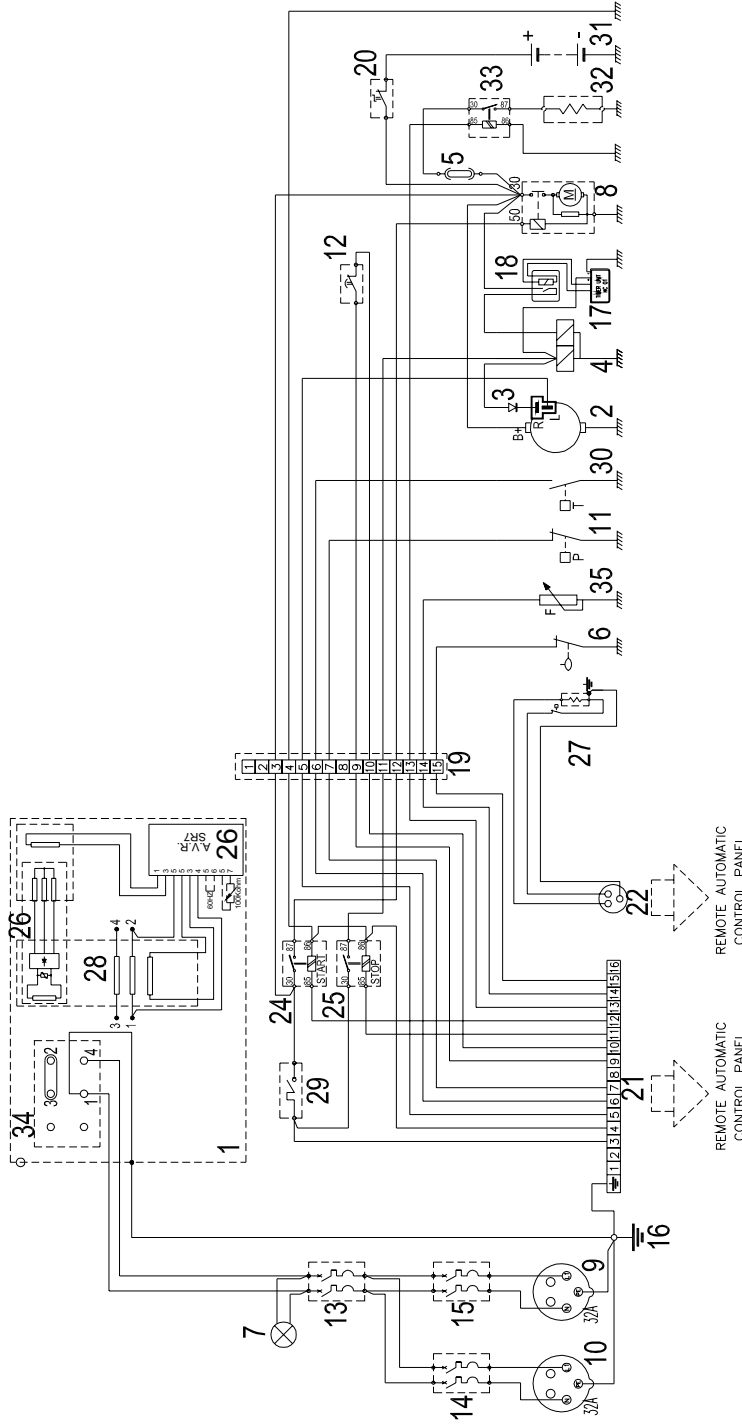


7. WIRING DIAGRAM



1	ALTERNATOR	13	MAGNETOTHERMAL SWITCH 2P	24	START RELAY
2	BATTERY CHARGER ALTERNATOR	14	MAGNETOTHERMAL SWITCH 2P	25	STOP RELAY
3	DIODE	15	MAGNETOTHERMAL SWITCH 2P	26	ROTOR
4	STOP ELECTROMAGNET	16	GROUND CONNECTION	27	ENGINE HEATER
5	FUSE	17	TIMER UNIT	28	STATOR
6	RESERVE FLOAT	18	RELAY	29	THERMAL SWITCH
7	PILOT LIGHT	19	15 POLES CONNECTOR	30	ENGINE THERMOSTAT
8	STARTER MOTOR	20	BATTERY SWITCH	31	BATTERY
9	SOCKET 3P+N+GND 32A	21	16 POLES CONNECTOR	32	PREHEATING
10	SOCKET 3P+N+GND 32A	22	ENGINE HEATING	33	RELAY
11	OIL PRESSURE SWITCH	23	ELECTRONIC VOLTAGE REGULATOR	34	ALTERNATOR TERMINAL BOARD
12	EMERGENCY STOP BUTTON			35	FUEL LEVEL SENSOR