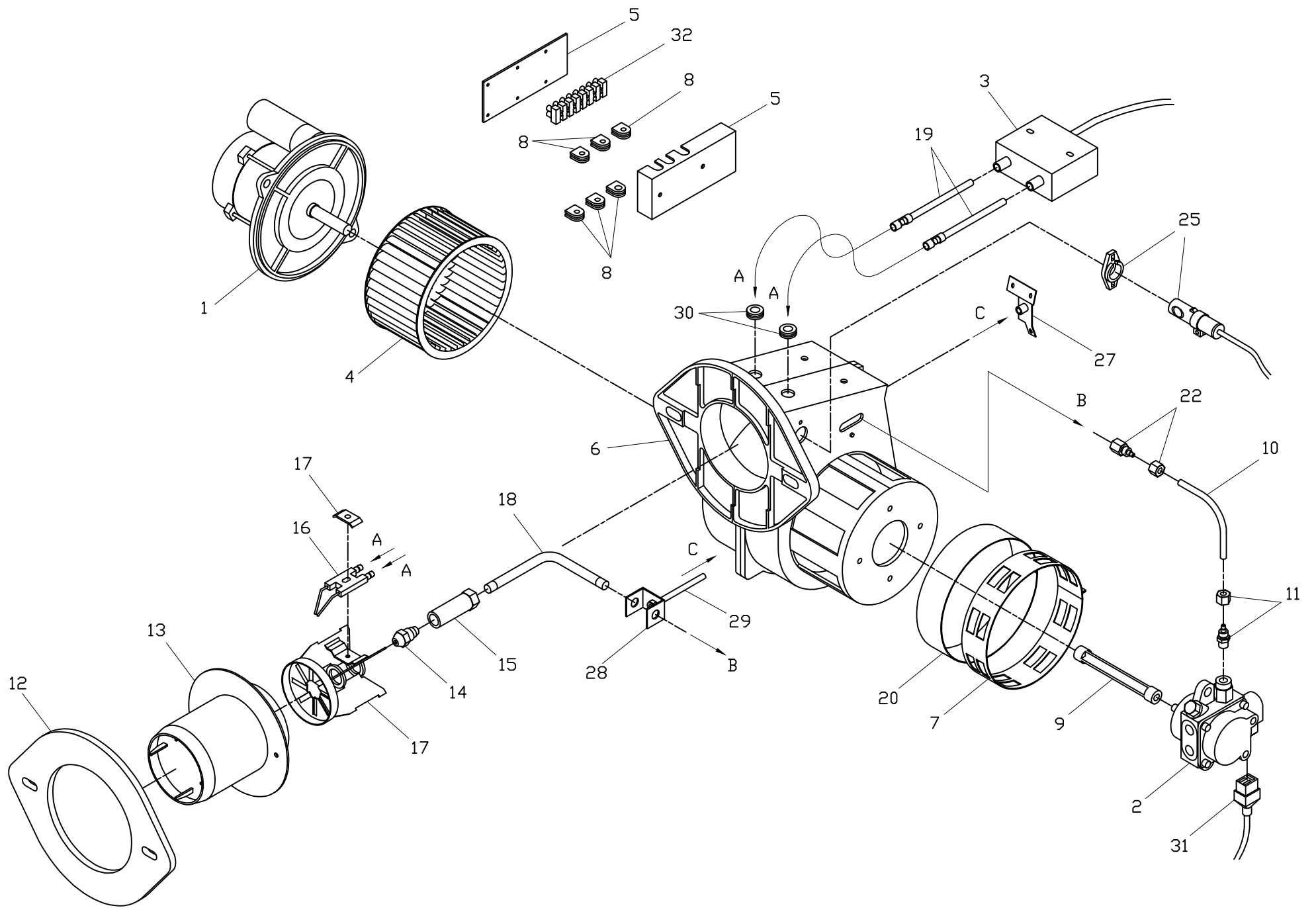


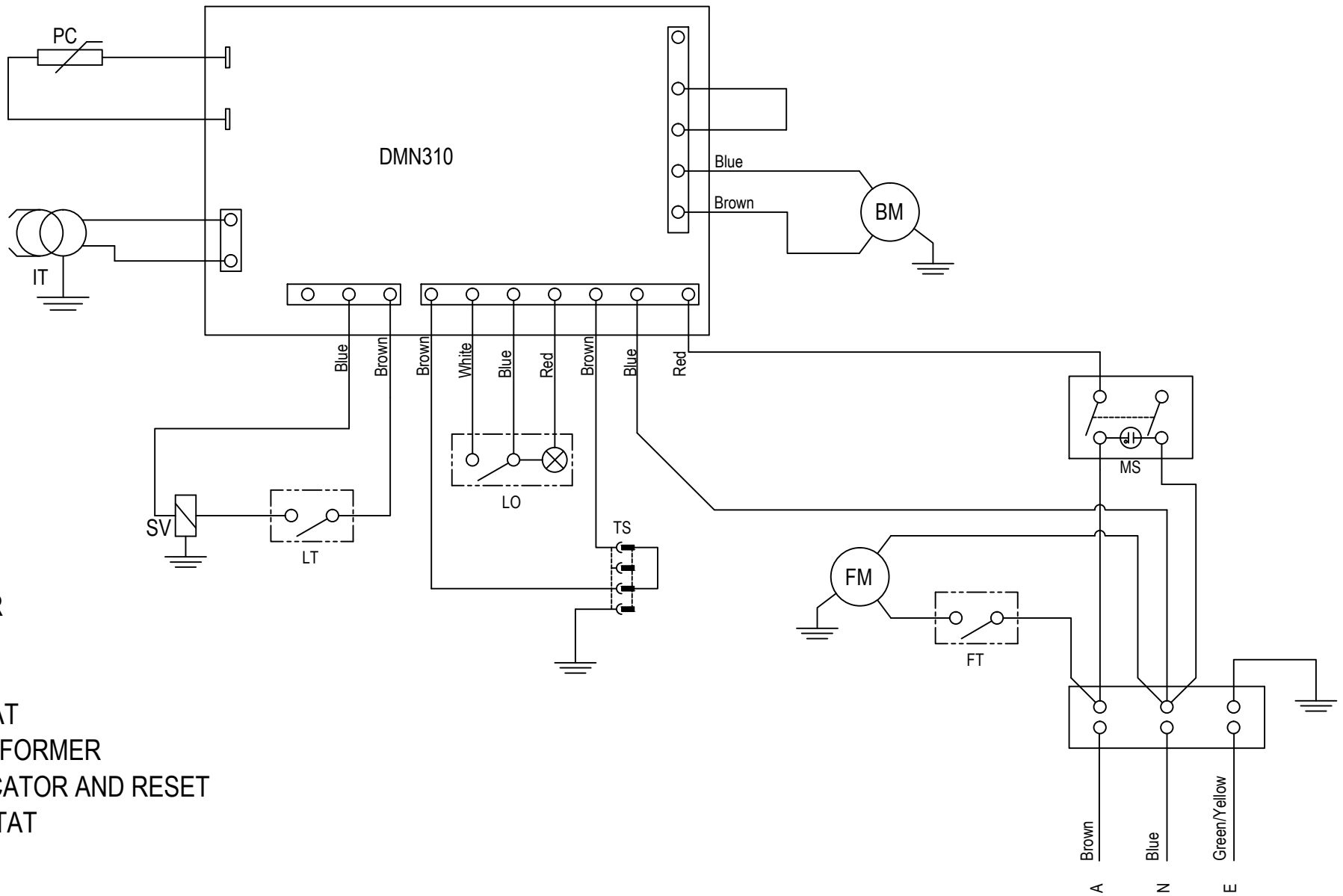
SPARE PARTS LIST

POS	DESCRIPTION	PN	QTY	POS	DESCRIPTION	PN	QTY
1	TANK WELD ASSEMBLY	175001	1	29	HOSE - RETURN	550031	1
2	BOTTOM CASING	175011	1	31	ELECTRICAL BOX	100260/A	1
3	TOP COVER	175015	1	32	AXLE WITH BRACKET	550024	1
4	COMBUSTION CHAMBER	175022	1	34	TERMINAL BLOCK 7 WAY	33123	1
5	FAN ASSEMBLY	33252	1	37	ILLUMINATED SWITCH	44978	1
9	STACK BREAK	260005	1	38	THERMOSTAT SOCKET	100261	1
10	LIMIT THERMOSTAT	550036	1	39	THERMOSTAT PLUG	100262	1
11	FAN THERMOSTAT	540004	1	41	WHEEL	175030	2
12	PLINTH	175038/A	1	42	HUB CAP COVER	33265/B	2
14	FILLER CAP	PA29019784	1	44	CHASSIS	550022	1
17	PICK UP TUBE ASSY	550033	1	45	HANDLE	550023	1
18	HOSE TAIL	47039/D	1	46	DIESEL FILTER	48701	1
19	HOSE - PUMP BURNER/FILTER	175033	1	47	DRAIN PLUG	100157	1
20	LIMIT THERMOSTAT BRACKET	20021	1	48	HEAT SHIELD	175014	1
21	HOSE - TANK/FILTER	175009	1	51	CONTROL BOARD	300133/A	1
22	CABLE GLAND	48417/E	1	52	RESET BUTTON	70445	1
23	MAIN CABLE	33417/02	1	54	ELECTRICAL BOX COVER	100124	1
24	BURNER COVER	48071	1	57	HOSE TAIL	47039	4
25	BURNER	44902/4	1	69	HOSE TAIL	47039/C	1
26	AIR RESTRICTION RING	175011/02	1	75	HUB CAP BLOCK	33265/C	2



SPARE PARTS LIST

POS	DESCRIPTION	PN	QTY	POS	DESCRIPTION	PN	QTY
1	BURNER MOTOR	44250	1	15	NOZZLE HOLDER	530017	1
2	PUMP WITH SOLENOID VALVE	44924	1	16	ELECTRODE	100225/A	1
3	TRANSFORMER	100220	1	17	BURNER HEAD	100227	1
4	FAN	44656/A	1	18	DISTILLATE PIPE	44935/A	1
5	TERMINAL BOX WITH LID	44925	1	19	HIGH VOLTAGE CABLE	44936	2
6	FAN HOUSING	44051	1	20	AIR ADJUSTMENT BLANK	44926/A	1
7	AIR ADJUSTMENT VENTED	44926	1	22	RILSAN NIPPLE 1/8FEMALE	48765	1
8	RUBBER GROMMET 5.5mm	48438/A	4	25	PHOTOCELL	300006/B	1
	RUBBER GROMMET 7.5mm	48438/C	2	27	ADJUSTMENT BRACKET	44938	1
9	BURNER JOINT	44929	1	28	BRACKET BURNER TUBE	44939	1
10	DISTILLATE HOSE	48739	1	29	REGULATION SCREW	44940	1
11	RILSAN NIPPLE 1/8MALE	44342	1	30	RUBBER GROMMET	48434	2
12	GASKET	44101	1	31	LEAD - SOLENOID VALVE	48437	1
13	ELECTRODE HOUSING	44932/B	1	32	TERMINAL BLOCK 8 WAY	20020	1
14	BURNER NOZZLE 1.35GPH	44571/D	1				



- A ACTIVE
- BM BURNER MOTOR
- E EARTH
- FM FAN MOTOR
- FT FAN THERMOSTAT
- IT IGNITION TRANSFORMER
- LO LOCK OUT INDICATOR AND RESET
- LT LIMIT THERMOSTAT
- MS MAIN SWITCH
- N NEUTRAL
- PC PHOTOCCELL
- SV SOLENOID VALVE
- TS THERMOSTAT SOCKET