

CONTENTS

L70AE D/DE
DEG

<NOTES>

ABOVE-STATED O, Δ, x, MARK SHOWS APPLICABLE MODELS

O---MEANS COMMON

Δ---MEANS EXCLUSIVE USE FOR DTM/STM

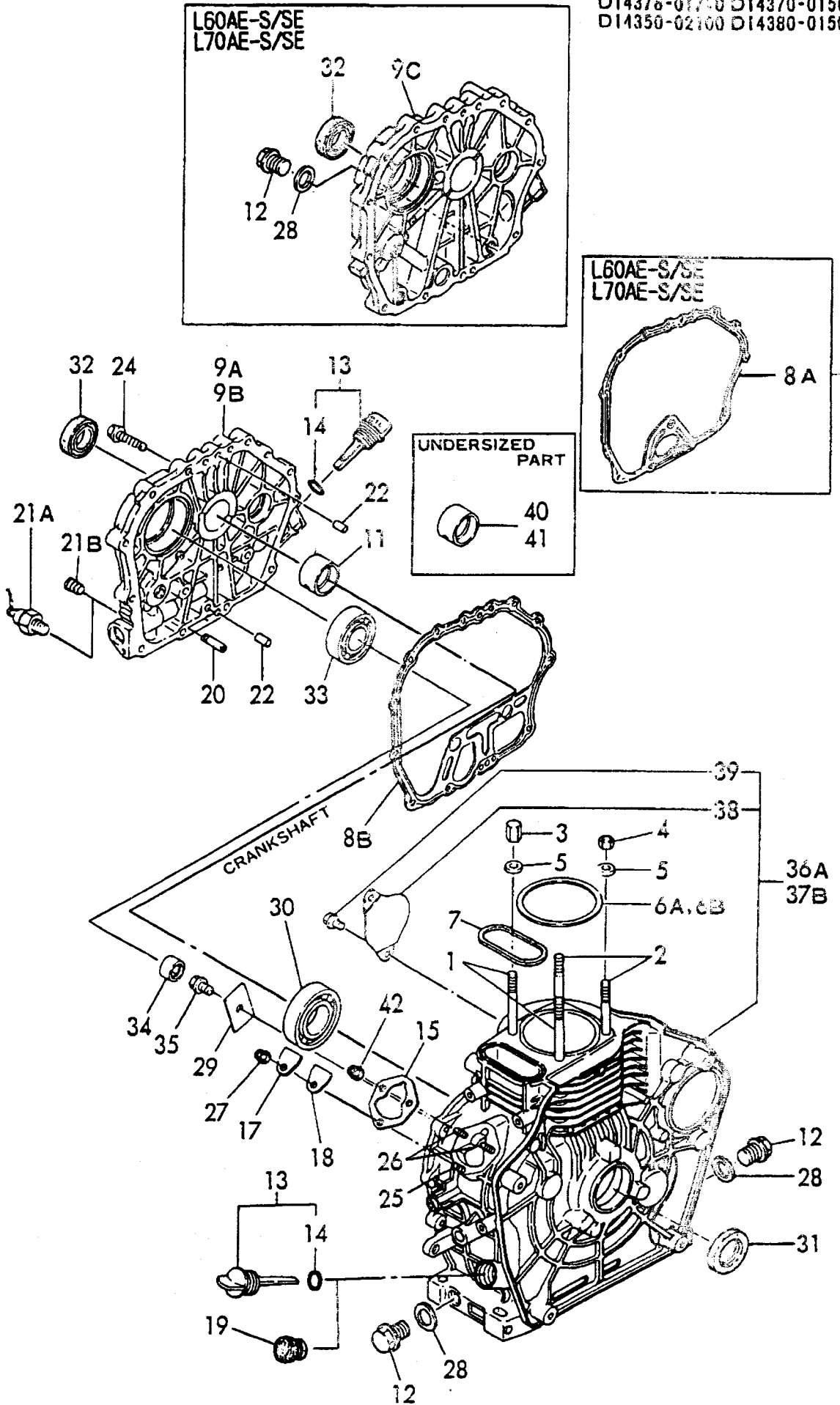
x---MEANS EXCEPT -DTM/-STM

SECTION 2 (L60AE & L70AE)

GROUP NO.	GROUP NAME	D/DF/DP/DV	DTM	S/SF	STM
15	CYLINDER BLOCK	O	O	O	O
16	CYLINDER HEAD & BONNET	OO	OOO	OO	OO
17	AIR CLEANER & MUFFLER	OO	OOOO	OO	OO
18	CAM/CRANK/BARANCER SHAFT	OO	OOOO	OO	OO
19	PISTON & ROD	OO	OOO	OO	OO
20	L. O. DEVICE & GOVERNOR CONTROL	O	O	O	O
21	COOLING & RECCIL STARTER	O	O	O	O
22	FUEL INJECTION PUMP & VALVE	x		x	
23	FUEL INJECTION PUMP & VALVE		Δ		Δ
24	FUEL TANK & FUEL PIPE	x		x	
25	FUEL TANK & FUEL PIPE		Δ		Δ
26	STARTING MOTOR & DYNAMO	x		x	
27	STARTING MOTOR & DYNAMO		Δ		Δ
28	TOOLS/LABELS & GASKET SET	O	O	O	O

Fig. 15 CYLINDER BLOCK

SPEC. CODE
 D14380-01500 D14280-39100
 D14370-01700 D14280-39110
 D14370-01710 D14370-01100
 D14378-01700 D14371-01100
 D14378-01710 D14370-01500
 D14350-02100 D14380-01500



(15) CYLINDER BLOCK

+-----+
 1 1D03 1
 1 (1D02) 1
 +-----+
 YOOR3981

(A)= (D)=
 (B)=L60AE-D/DE (E)=L60AE-S/SE
 (C)=L70AE-D/DE (F)=L70AE-S/SE

REF. NO.	LEV. 0	PART NO.	DESCRIPTION	-----Q'TY-----						I P/U A R
				(A)	(B)	(C)	(D)	(E)	(F)	
1	.	114350-01200	STUD, CYL. HEAD	2	2		2	2		
2	.	114350-01210	STUD, CYL. HEAD	2	2		2	2		
3	.	114350-01220	NUT 9	2	2		2	2		
4	.	114350-01250	NUT 9	2	2		2	2		
5	.	105225-01240	WASHER	4	4		4	4		
6A	.	114350-01340	GASKET, CYL. HEAD	1			1			
6B	.	114870-01340	GASKET, CYL. HEAD		1				1	92637
7	.	114350-01380	O-RING	1	1		1	1		92638
8A	.	114350-01411	GASKET, CRANK CASE				1	1		
8B	.	114350-01412	GASKET, CRANK CASE	1	1					
9	.	114368-01452	COVER (D), CRANK CASE	1	1					
9B	.	114360-01453	COVER (D), CRANK CASE	1	1					(#)
9C	.	114350-01452	COVER (S), CRANK CASE					1	1	
11	.	114350-02100	BEARING, MAIN	1	1		1	1		
12	.	105425-01690	PLUG M16	2	2		3	3		
13	.	160910-01740	CAP, W/LUB.OIL GAUGE	2	2		2	2		
14	..	24311-000180	O-RING 1A P-18.0	2	2		2	2		
15	.	114250-01800	SHIM SET	1	1		1	1		
17	.	114250-01830	COVER, INSPEC.WINDOW	1	1		1	1		
18	.	114250-01840	GASKET	1	1		1	1		
19	.	160110-01870	PLUG, RUBBER W/SCREW	1	1		1	1		
20	.	114250-35150	PIPE, L.O. INLET	1	1					
21A	.	183250-39450	SWITCH, OIL PRESSURE	1						(Y)
21B	.	23871-010000	PLUG PT1/8, SCREW	1	1		1	1		
22	.	22312-080120	PARALLEL PIN 8X12	2	2		2	2		
24	.	26106-080352	BOLT M 8X 35 PLATED	15	15		15	15		
25	.	26226-060182	STUD M 6X 18 PLATED	1	1		1	1		
26	.	26226-060222	STUD M 6X 22 PLATED	2	2		2	2		
27	.	26366-060002	NUT M 6	3	3		3	3		
28	.	43400-500490	SEAL WASHER 16	4	4		3	3		
29	.	114250-02030	RETAINER, BEARING	1	1		1	1		
30	.	114350-02113	BALL BEARING	1	1		1	1		
31	.	160110-02220	SEAL, OIL	1	1		1	1		
32	.	160110-02220	SEAL, OIL	1	1		1	1		
33	.	24101-062060	BALL BEARING	1	1		1	1		
34	.	24162-152112	NEEDLE BEARING	1	1		1	1		
35	.	26106-080122	BOLT M 8X 12 PLATED	1	1		1	1		
36A	.	714371-01560	BLOCK ASSY, CYLINDER	1			1			
36B	.	714871-01560	BLOCK ASSY, CYLINDER		1			1		
38	..	114350-01700	COVER, STARTER	1	1		1	1		
39	..	26106-100122	BOLT M10X 12 PLATED	2	2		2	2		
40	.	114350-02200	MAIN BEARING US=0.25	1	1		1	1		(H)
41	.	114350-02210	MAIN BEARING US=0.50	1	1		1	1		(H)

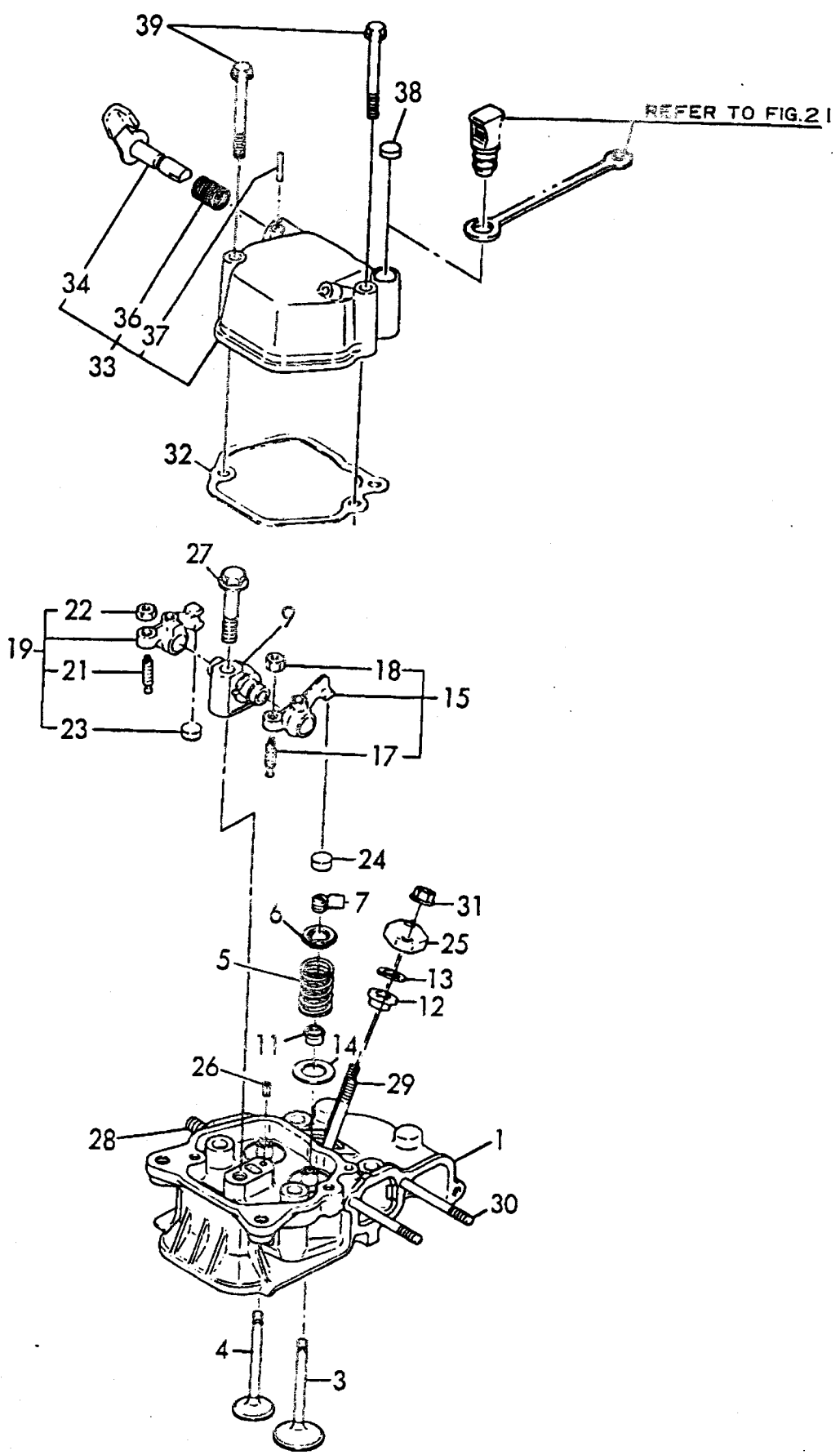
* - 24421 - 304508

REMARKS

(Y) FOR L60AE-DGMO/DEGMO
 (H) UNDER SIZED PARTS
 (#) FOR L60AE/L70AE-D(E)F

Fig. 16 CYLINDER HEAD & BONNET

D14350-11100
D14250-11200



11004
11002
Y00R3981

(16) CYLINDER HEAD & BONNET

発行No. 000Y00R3981-1
更新年月: 1993.06
REVISED: JUN. 1993

(A)= (D)=
(B)=L60AE-D/DE (E)=L60AE-S/SE
(C)=L70AE-D/DE (F)=L70AE-S/SE

REFER NO.	LEV. 0	DESCRIPTION	PART NUMBER	-----QTY/UNIT-----						S	I	D	R
				(A)	(B)	(C)	(D)	(E)	(F)				
I 1		HEAD ASSY, CYLINDER	114350-11021	1	1	1	1					M	
I 1- 1		HEAD ASSY, CYLINDER	114870-11021	1	1	1	1					N M	
		(B=E06494) (C=E06494)				(E=E06495)		(F=E06495)					
I 1- 2		HEAD ASSY, CYLINDER	114870-11020	1	1	1	1						
3		VALVE, SUCTION	114350-11101	1	1	1	1					92460	
4		VALVE, EXHAUST	114350-11113	1	1	1	1					92461	
5		SPRING, VALVE	114350-11120	2	2	2	2						
6		RETAINER, SPRING	101158-11180	2	2	2	2						
7		COTTER ASSY	27310-060001	2	2	2	2						
9		SUPPORT, ROCKER ARM	114250-11290	1	1	1	1						
11		SEAL, VALVE STEM	114350-11340	2	2	2	2						
12		GASKET, NOZZLE	114250-11460	1	1	1	1						
13		SPACER, NOZZLE	114350-11470	1	1	1	1						
14		WASHER	114250-11600	2	2	2	2						
15		ARM ASSY, INTAKE	114250-11651	1	1	1	1						
17	..	SCREW, VALVE ADJUST.	114250-11240	1	1	1	1						
18	..	LOCK NUT M 6 PLATED	26756-060002	1	1	1	1						
19		ARM ASSY, EXHAUST	714370-11660	1	1	1	1						
21	...	SCREW, VALVE ADJUST.	114250-11240	1	1	1	1						
22	...	LOCK NUT M 6 PLATED	26756-060002	1	1	1	1						
23	..	CAP, VALVE	105010-11490	1	1	1	1						
24		CAP, VALVE	105010-11490	1	1	1	1						
25		RETAINER, NOZZLE	114250-11900	1	1	1	1						
26		SPRING PIN 4X 8	22351-040008	1	1	1	1						
27		BOLT M 8X 45 PLATED	26106-080452	1	1	1	1						
28		STUD M 8X 18 PLATED	26216-080182	2	2	2	2						
29		STUD M 6X 50	26226-060502	2	2	2	2						
30		STUD M 6X 55	26226-060552	2	2	2	2						
31		NUT M 6	26366-060002	2	2	2	2						
32		GASKET, BONNET	114250-11310	1	1	1	1					910112	
33		BONNET ASSY, HEAD	114250-11951	1	1	1	1						
34	..	SHAFT ASSY, DECOMP.	114250-03591	1	1	1	1						
36	..	SPRING	114250-03640	1	1	1	1						
37	..	PARALLEL PIN 3X16	22312-030160	1	1	1	1						
38		PLUG (12)	129100-61850	1	1	1	1						
39		BOLT M 6X 55 PLATED	26106-060552	2	2	2	2						

114350-11021 SEDE VALVOLA

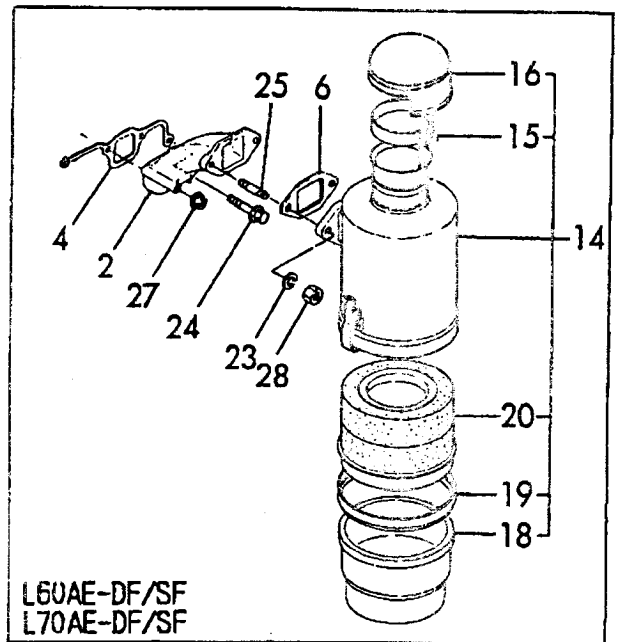
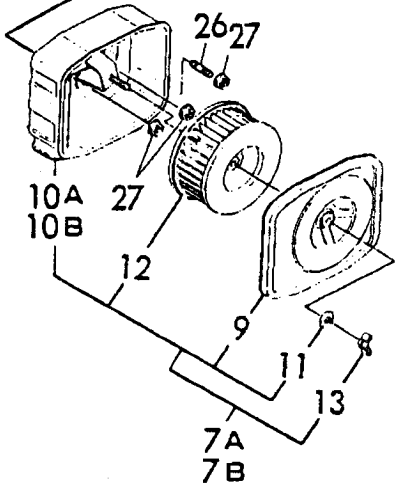
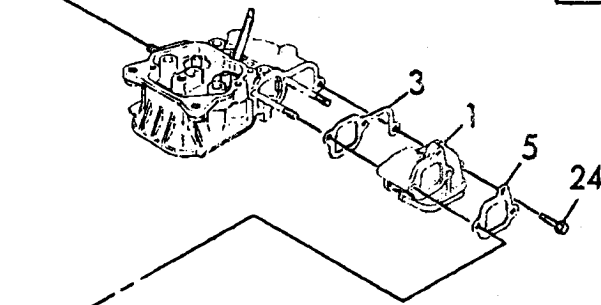
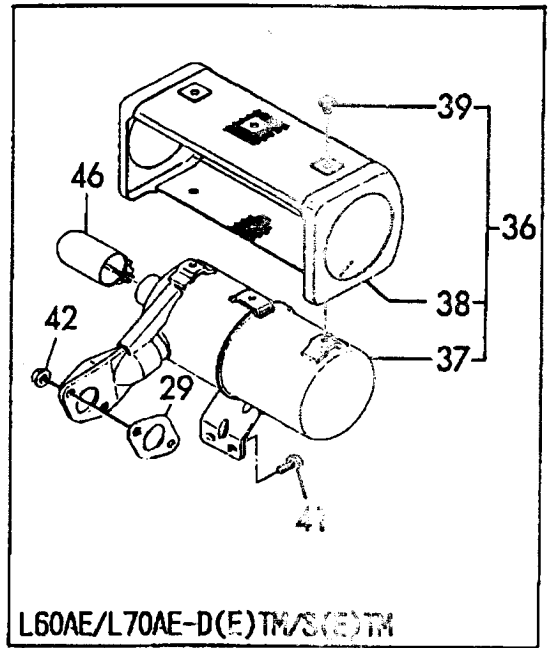
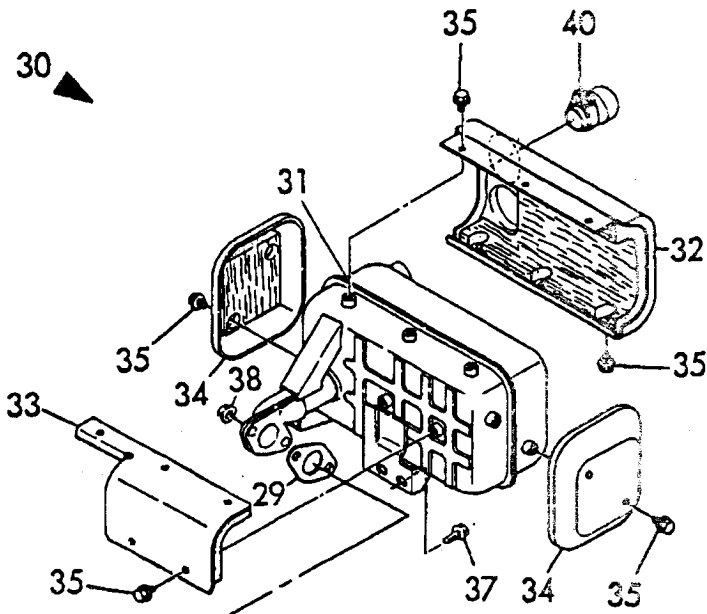
114350-11160 GUIDA VALVOLA

REMARKS

(M) M'S PRINT.

Fig. 17 AIR CLEANER & MUFFLER

SPEC. CODE
 D14350-12110
 D14352-12130
 D14388-12110
 D14384-13100
 D14878-13100



(17) AIR CLEANER & MUFFLER

+-----+
 I 1005 I
 I(1002)I
 +-----+
 YOOR3981

(A)= (D)=
 (B)=L60AE-D/DE (E)=L60AE-S/SE
 (C)=L70AE-D/DE (F)=L70AE-S/SE

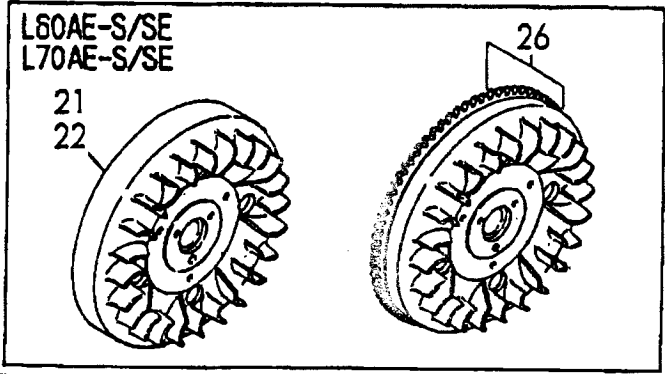
REF. NO.	LEV. 0	PART NO.	DESCRIPTION	-----Q'TY-----						I P/U A R
				(A)	(B)	(C)	(D)	(E)	(F)	
1	.	114350-12011	PIPE, AIR INTAKE	1	1	1	1			
2	.	114352-12010	PIPE, AIR INTAKE	1	1	1	1			(X)
3	.	114350-12200	GASKET, AIR INTAKE	1	1	1	1			
4	.	114350-12201	GASKET, AIR INTAKE	1	1	1	1			(X)
5	.	114250-12210	GASKET, AIR CLEANER	1	1	1	1			
6	.	114352-12210	GASKET, AIR CLEANER	1	1	1	1			(X)
7A	.	714250-12560	CLEANER ASSY, AIR	1	1	1	1			
7B	.	714268-12581	CLEANER ASSY, AIR	1	1	1	1			(H)
9	...	114250-12520	COVER, AIR CLEANER	1	1	1	1			
10A	...	114250-12530	CASE, AIR CLEANER	1	1	1	1			
10B	...	114250-12980	CASE, AIR CLEANER	1	1	1	1			(H)
11	...	114250-12560	WASHER, SEAL	1	1	1	1			
12	...	114250-12580	ELEMENT, WET AIR	1	1	1	1			
13	..	114250-12550	WING NUT M6	1	1	1	1			
14	.	114352-12700	CLEANER ASSY.OILBATH	1	1	1	1			(X)
15	..	160820-12300	BAND	1	1	1	1			(X)
16	..	114252-12660	CAP,AIRCLEANER	1	1	1	1			(X)
18	..	160820-12770	POT, OIL AIR CLEANER	1	1	1	1			(X)
19	..	160820-12780	RING	1	1	1	1			(X)
20	..	114352-12720	ELEMENT, AIR CLEANER	1	1	1	1			(X)
23	.	22217-080000	SPRING WASHER 8	2	2	2	2			
24	.	26106-060252	BOLT M 6X 25 PLATED	2	2	2	2			
25	.	26216-080182	STUD M 8X 18 PLATED	2	2	2	2			
26	.	26226-060142	STUD M 6X 14 PLATED	1	1	1	1			
27	.	26366-060002	NUT M 6	3	3	3	3			
28	.	26716-080002	NUT M 8	2	2	2	2			
29	.	114250-13200	GASKET, MUFFLER	1	1	1	1			
30	.	114870-13550	MUFFLER ASSY	1	1	1	1			
31	..	114870-13560	MUFFLER	1	1	1	1			
32	..	114870-13700	COVER(A), MUFFLER	1	1	1	1			
33	..	114870-13710	COVER(B), MUFFLER	1	1	1	1			
34	..	114870-13720	COVER(C), MUFFLER	2	2	2	2			
35	..	26106-060082	BOLT M 6X 8 PLATED	12	12	12	12			
36	.	114368-13500	MUFFLER W/COVER	1	1	1	1			(#)
37	..	114368-13510	MUFFLER	1	1	1	1			(#)
38	..	114268-13700	COVER, MUFFLER	1	1	1	1			(#)
39	..	26106-060082	BOLT M 6X 8 PLATED	6	6	6	6			(#)
40	.	114268-13800	EXTENSION, EXH.	1	1	1	1			(#)
41	.	26106-060122	BOLT M 6X 12 PLATED	2	2	2	2			
42	.	26366-080002	NUT 8	2	2	2	2			

----- REMARKS -----

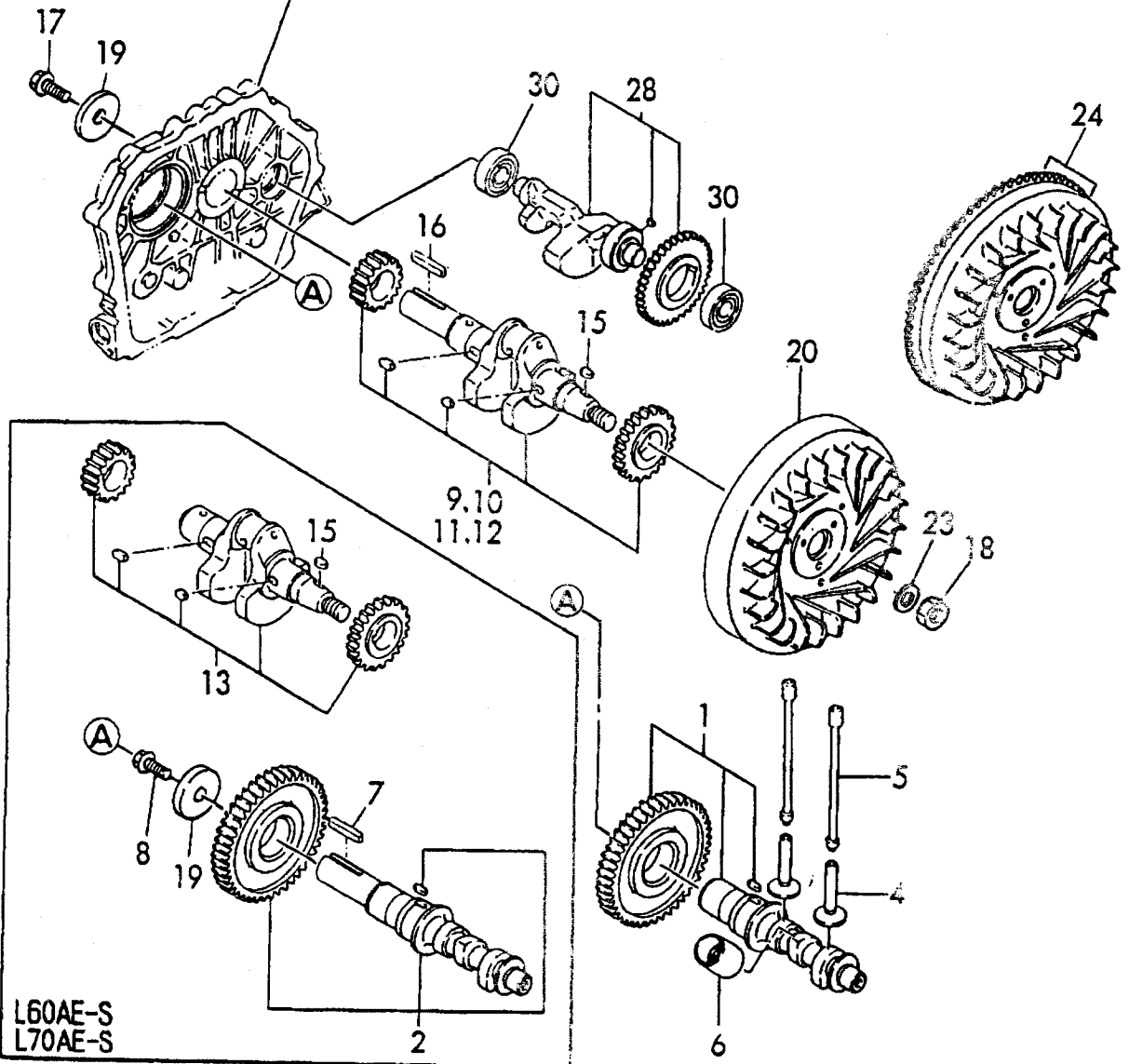
I(X) FOR L60AE/L70AE-D(E)F/S(E)F
 I(H) FOR L60AE/L70AE-D(E)V
 I(#) FOR L60AE/70AE-D(E)TM/S(E)T

Fig. 18 CRANKSHAFT & CAMSHAFT

SPEC. CODE
 D14870-21500 D14873-14100
 D14871-21500 D14880-14100
 D14880-21500 D14388-21100
 D14881-21500 D14388-21110
 D14380-21700 D14388-21120
 D14388-21700 D14870-21100
 D14880-21100

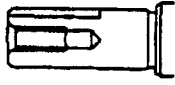




REFER TO FIG. 5



L60AE-S
 L70AE-S

L60AE-D/L70AE-D
 CRANK SHAFT

Ref. No.	MAGNIFIED AXIAL END	SCREW SIZE	KEY SIZE	Ref. No.	MAGNIFIED AXIAL END	SCREW SIZE
		7/16-20UNF	6.3x50	12		1"-14UNF
9		7/16-20UNF	6.3x50			
11		M8x1.25	7x36	10		5/16-24UNF

(18) CAM/CRANK/BALANCER SHAFT

+-----+
 I 1006 I
 I(1002)I
 +-----+
 Y00R3981

(A)= (D)=
 (B)=L60AE-D/DE (E)=L60AE-S/SE
 (C)=L70AE-D/DE (F)=L70AE-S/SE

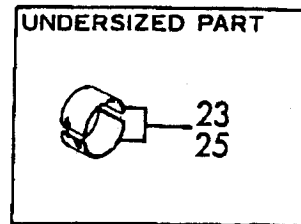
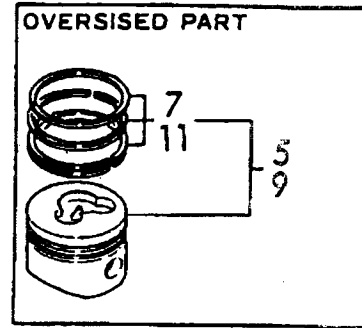
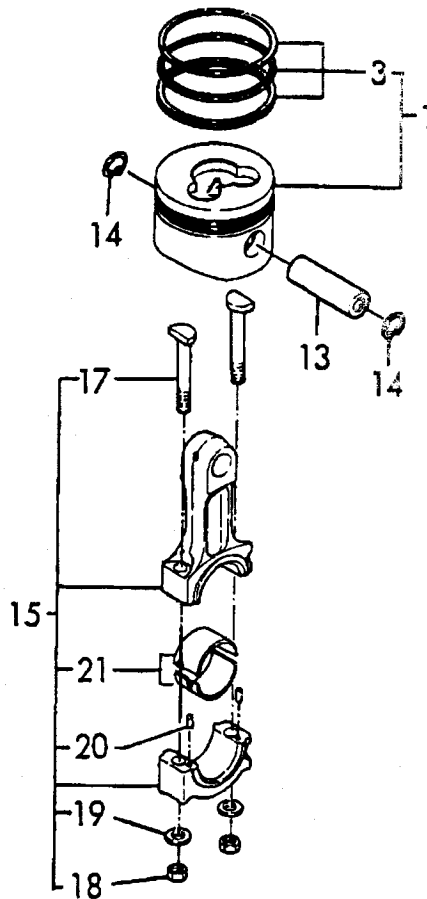
REF. NO.	LEV. 0	PART NO.	DESCRIPTION	-----Q'TY-----						I P/U A R
				(A)	(B)	(C)	(D)	(E)	(F)	
1	.	714880-14580	CAMSHAFT(D) ASSY.	1	1					
2	.	714870-14580	CAMSHAFT(S) ASSY.				1	1		
4	.	114250-14200	TAPPET, SUC./EXH.	2	2		2	2		
5	.	114350-14450	ROD, PUSH	2	2		2	2		
6	.	114250-14260	TAPPET, FUEL	1	1		1	1		
7	.	22512-070360	KEY 7X 36				1	1		
8	.	26106-080202	BOLT M 8X 20 PLATED				1	1		
9	.	714388-21700	CRANKSHAFT ASSY(D/DE	1	1					(J)
10	.	714388-21730	CRANKSHAFT ASSY(DGMO	1						(P)
11	.	714388-21740	CRANKSHAFT ASSY(DV/DF	1	1					(G)
12	.	714388-21760	CRANKSHAFT ASSY(DP	1	1					(M)
13	.	714378-21710	CRANKSHAFT ASSY(S/SE				1	1		
14	.	22512-040120	KEY 4X 12	1	1		1	1		
15	.	160842-21150	KEY 6.3X50	1	1					
16	.	160842-21250	BOLT 7/16-20UNF	1	1					
17	.	103854-01221	NUT M16	1	1		1	1		
18	.	160310-14550	WASHER				1	1		
19	.	160842-21260	WASHER	1	1					
20	.	114880-21400	FLYWHEEL (D)	1	1					
21	.	114870-21400	FLYWHEEL (S)				1	1		
22	.	114870-21410	FLYWHEEL (SF)				1	1		(#)
23	.	114250-21550	WASHER, FLYWHEEL	1	1		1	1		
24	.	114881-21590	FLYWHEEL(DE) W/GEAR	1	1					
26	.	114871-21590	FLYWHEEL(SE) W/GEAR				1	1		
28	.	714870-28510	SHAFT ASSY, BALANCER	1	1		1	1		
30	.	24101-062024	BALL BEARING	2	2		2	2		

----- REMARKS -----

(G) FOR L60AE/L70AE-D(E)F &
 L60AE/L70AE-D(E)V
 (M) FOR L60AE/L70AE-D(E)P
 (P) FOR L60AE-DGMO/DEGMO
 (#) FOR L60AE/L70AE-S(E)F
 (J) FOR L60AE/L70AE-D(E)/D(E)TR

Fig. 19 PISTON & CONNECTING ROD

SPEC. CODE
D14370-22100
D14380-22100
D14350-23100



(19) PISTON & ROD

(A)=

(D)=

(B)=L60AE-D/DE

(E)=L60AE-S/SE

* (C)=L70AE-D/DE

(F)=L70AE-S/SE

 +-----+
 | 1D07 |
 | (1D02) |
 +-----+
 Y00R3981

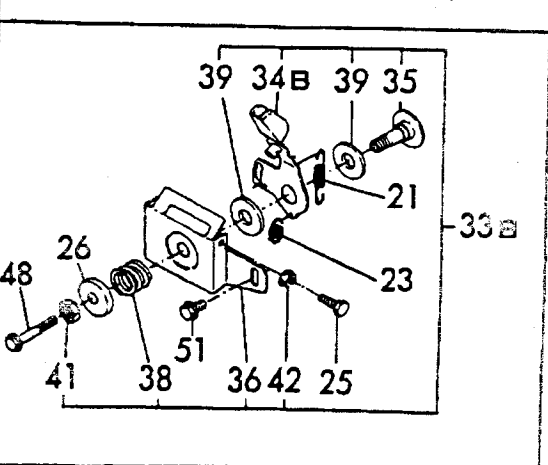
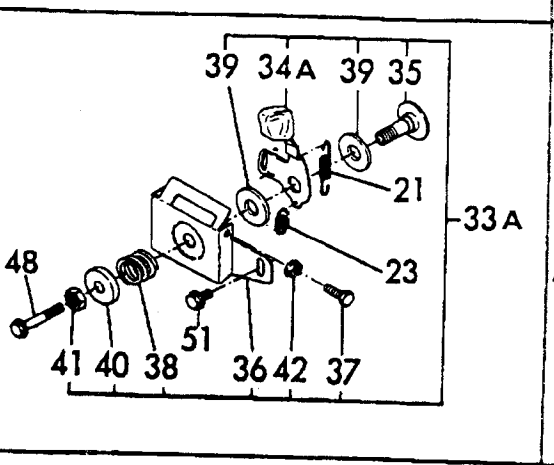
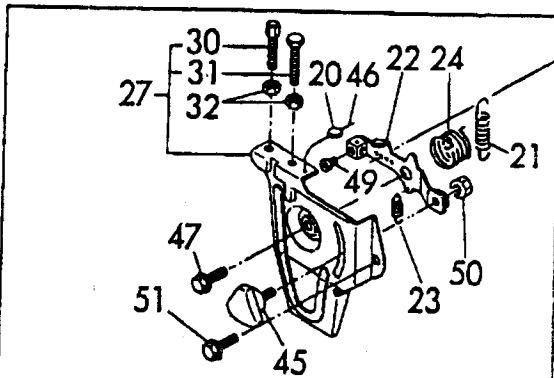
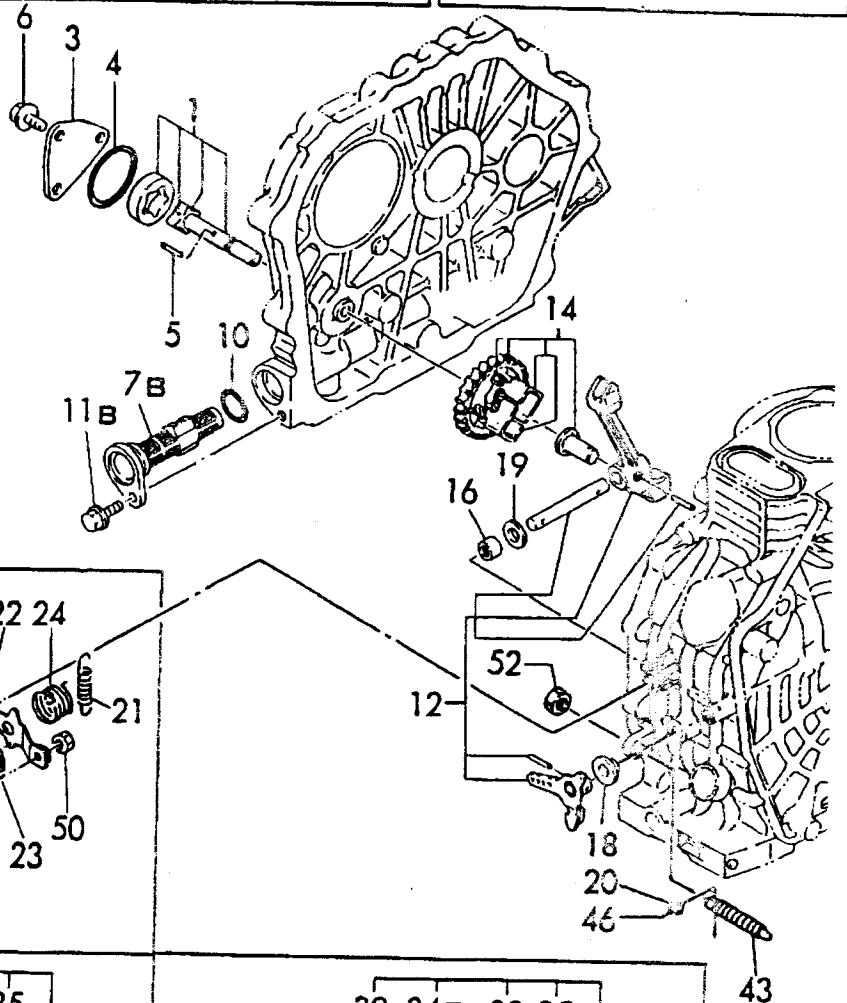
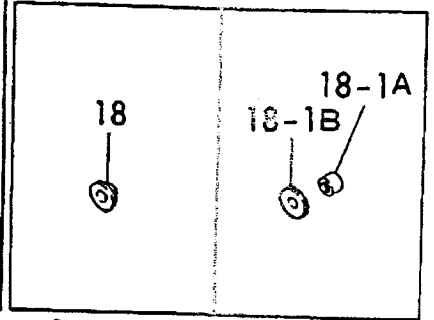
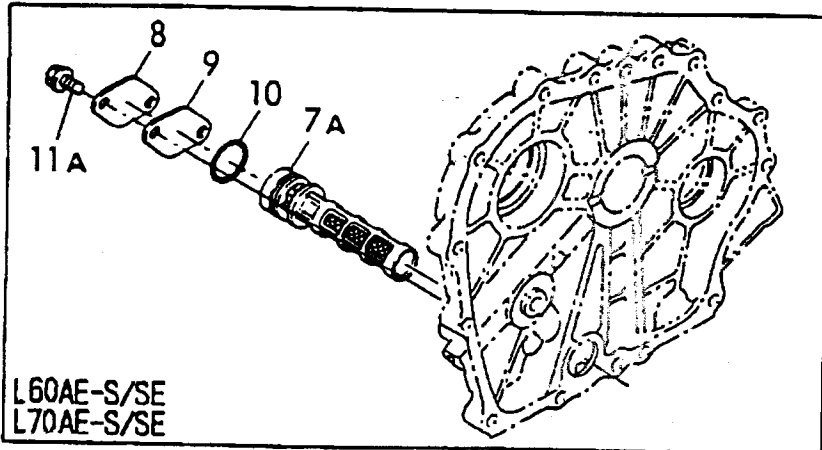
REF. NO.	LEV. 0	PART NO.	DESCRIPTION	-----Q'TY-----						P/U	A	R	
				(A)	(B)	(C)	(D)	(E)	(F)				
1A	.	714380-22720	PISTON W/RINGS	1									
1B	.	714880-22720	PISTON W/RINGS			1					92458		
1C	.	714370-22720	PISTON W/RINGS					1					
1D	.	714870-22720	PISTON W/RINGS									1	
3A	..	714350-22502	RING SET, PISTON	1				1					
3B	..	714870-22500	RING SET, PISTON			1						1	
5A	.	714380-22620	PISTON W/RING(OS=.25	1								(H)	
5B	.	714880-22620	PISTON W/RINGS(OS.25			1					910490	(H)	
5C	.	714370-22620	PISTON W/RING(OSO.25					1				(H)	
5D	.	714870-22620	PISTON W/RING(OSO.25									1	(H)
7A	..	714350-22542	RING SET O.S=0.25	1				1				(H)	
7B	..	714870-22540	RING SET (O.S. 0.25			1						1	(H)
9A	.	714380-22580	PISTON W/RING(OS=0.5	1								(H)	
9B	.	714880-22580	PISTON W/RINGS(OS.5			1						(H)	
9C	.	714370-22580	PISTON W/RING(OSO.50					1				(H)	
9D	.	714870-22580	PISTON W/RING(OSO.50									1	(H)
11A	..	714350-22550	RING SET (O.S O.25)	1				1				(H)	
11B	..	714870-22550	RING SET (O.S. 0.50			1						1	(H)
13	.	114350-22301	PIN, PISTON D=21	1	1			1	1				
14	.	22252-000210	CIRCLIP 21	2	2			2	2				
15	.	714350-23704	ROD ASSY, CONNECTING	1	1			1	1		910036		
17	...	114250-23200	BOLT, ROD	2	2			2	2				
18	...	114250-23220	NUT, ROD BOLT	2	2			2	2				
19	...	114250-23250	WASHER	2	2			2	2				
20	...	22312-030080	PARALLEL PIN 3X 8	2	2			2	2				
21	..	714350-23600	BEARING, CRANKPIN	1	1			1	1				
23	.	714350-23610	BEARING, PIN(U.S=0.25	1	1			1	1			(H)	
25	.	714350-23620	BEARING, PIN(U.S=0.50	1	1			1	1			(H)	

REMARKS

(H) OVERSIZED & UNDERSIZED PARTS

Fig. 20 LUB. OIL PUMP & GOVERNOR

SPEC. CODE
 D14770-32100
 D14250-35100
 D14250-35110
 D14770-61109
 D14770-66120
 D14770-66130
 D14270-66800
 D14370-66500
 D14870-66110



(20) L.O. DEVICE & GOVERNOR CONTROL

-----+
 I 1008 I
 I (1002) I
 -----+
 YOOR3981

(A)= (D)=
 (B)=L60AE-D/DE (E)=L60AE-S/SE
 (C)=L70AE-D/DE (F)=L70AE-S/SE

REF. NO.	LEV. 0	PART NO.	DESCRIPTION	-----Q'TY-----						I	P/U	A	R
				(A)	(B)	(C)	(D)	(E)	(F)				
1	.	114250-32010	PUMP ASSY, LUB.OIL	1	1			1	1				
3	.	114250-32070	COVER, LUB. OIL PUMP	1	1			1	1				
4	.	103338-32570	O-RING	1	1			1	1				
5	.	22312-030160	PARALLEL PIN 3X18	1	1			1	1				
6	.	26476-060142	BOLT M 6X 14, TAPPING	3	3			3	3				
7A	.	114250-35060	STRAINER, LUB. OIL					1	1				
7B	.	114250-35070	STRAINER, LUB. OIL	1	1								
8	.	114250-35250	COVER					1	1				
9	.	114250-35270	GASKET, L.O. STRAINER					1	1				
10	.	24341-000224	O-RING 1A S-22.4	1	1			1	1				
11A	.	26106-060122	BOLT M 6X 12 PLATED					2	2				
11B	.	26106-060162	BOLT M 6X 16 PLATED	1	1								
12	.	714350-61500	LEVER ASSY, GOVERNOR	1	1			1	1				
14	.	714770-61700	GOVERNOR ASSY	1	1			1	1				
16	.	121450-61520	NEEDLE BEARING FJ810	2	2			2	2				
18	.	114250-61900	BUSH, THRUST	1	1			1	1				
19	.	22137-080000	WASHER 8, POLISHED	1	1			1	1				
20	.	135210-61090	LEAD	2	2			2	2				
21	.	114870-66010	SPRING, REGULATOR	1	1			1	1				
22	.	114250-66050	HANDLE, REGULATOR	1	1			1	1				
23	.	114250-66200	SPRING, RETURN	1	1			1	1				
24	.	114252-66252	SPRING, RETURN	1	1			1	1				
25	.	114250-66440	BOLT, ADJUSTING	1	1							(Y)	
26	.	114254-66220	SUPPORT	1	1							(Y)	
27*	.	714268-66500	BRACKET ASSY, REGULAT	1	1			1	1				
30	...	102100-67080	BOLT, ADJUSTING	1	1			1	1				
31	...	114250-66440	BOLT, ADJUSTING	1	1			1	1				
32	..	26756-060002	LOCK NUT M 6 PLATED	2	2			2	2				
33A	.	183250-66500 11	BRACKET ASSY, REGULAT	1	1							(H)	
33B	.	114254-66200	BRACKET ASSY, REGULAT	1	1							(Y)	
34A	..	183250-66050	HANDLE, REGULATOR	1	1							(H)	
34B	..	114254-66210	HANDLE, REGULATOR	1	1							(Y)	
35	..	183250-66070	SHAFT, HANDLE	1	1							(H)	
36	..	183250-66100	BRACKET, REGULATOR	1	1							(H)	
37	..	114250-66440	BOLT, ADJUSTING	1	1							(H)	
38	..	104200-66820	SPRING	1	1							(H)	
39	..	104200-66830	PLATE, FRICTION	2	2							(H)	
40	..	104200-66850	WASHER (B)	1	1							(H)	
41	..	26696-100002	NUT M10	1	1							(H)	
42	..	26756-060002	LOCK NUT M 6 PLATED	1	1							(H)	
43	.	114250-66550	TORQUE SPRING ASSY	1	1			1	1				
45	.	160725-78350	KNOB (W/M6X15)	1	1			1	1				
46	.	22451-060000	WIRE 0.6	2	2			2	2				
47	.	26106-060202	BOLT M 6X 20 PLATED	1	1			1	1				
48	.	26106-060452	BOLT M 6X 45 PLATED	1	1							(#)	
49	.	26116-040088	BOLT M 4X 8 PLATED	2	2			1	1				
50	.	26346-060002	U-NUT M 6 PLATED	1	1			1	1				
51	.	26476-060142	BOLT M 6X 14, TAPPING	1	1			1	1				
52	.	26696-100002	NUT M10	1	1			1	1				

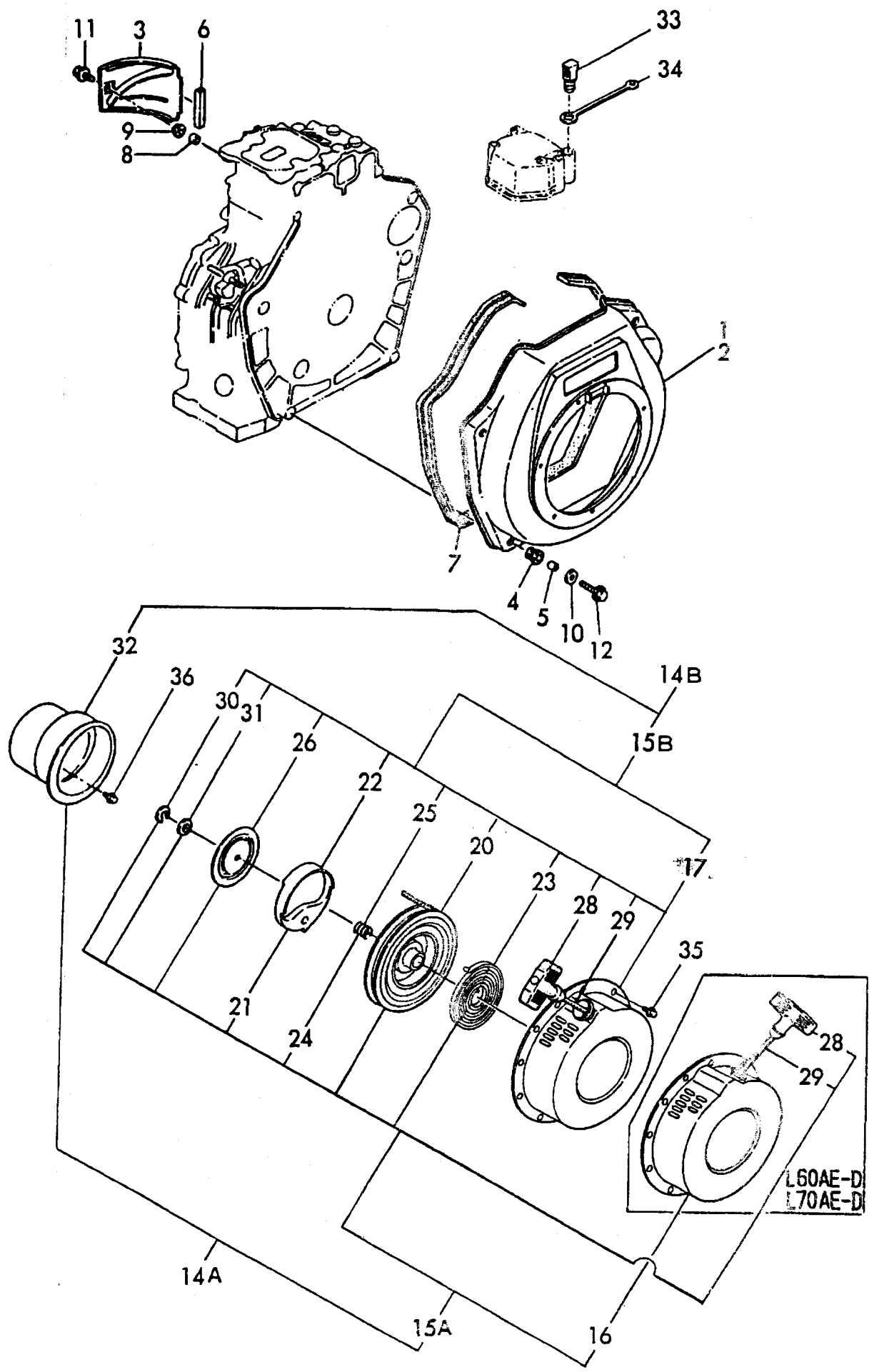
----- REMARKS -----

* 114268-66100

(H) FOR L60AE-DGMO/DEGMO &
 L70AE/60AE-D(E)TM/S(E)TM
 (#) FOR L60AE-DGMO/DEGMO
 (Y) FOR L60AE/70AE-D(E)V

Fig. 21 COOLING & STARTING DEVICE

SPEC. CODE
 D:4870-45100
 D:4880-45100
 D:4870-76100
 D:4880-76100



L60AE-D
 L70AE-D

+-----+
 I 1009 I
 I(1002)I
 +-----+
 YOOR3981

(21) COOLING & RECOIL STARTER

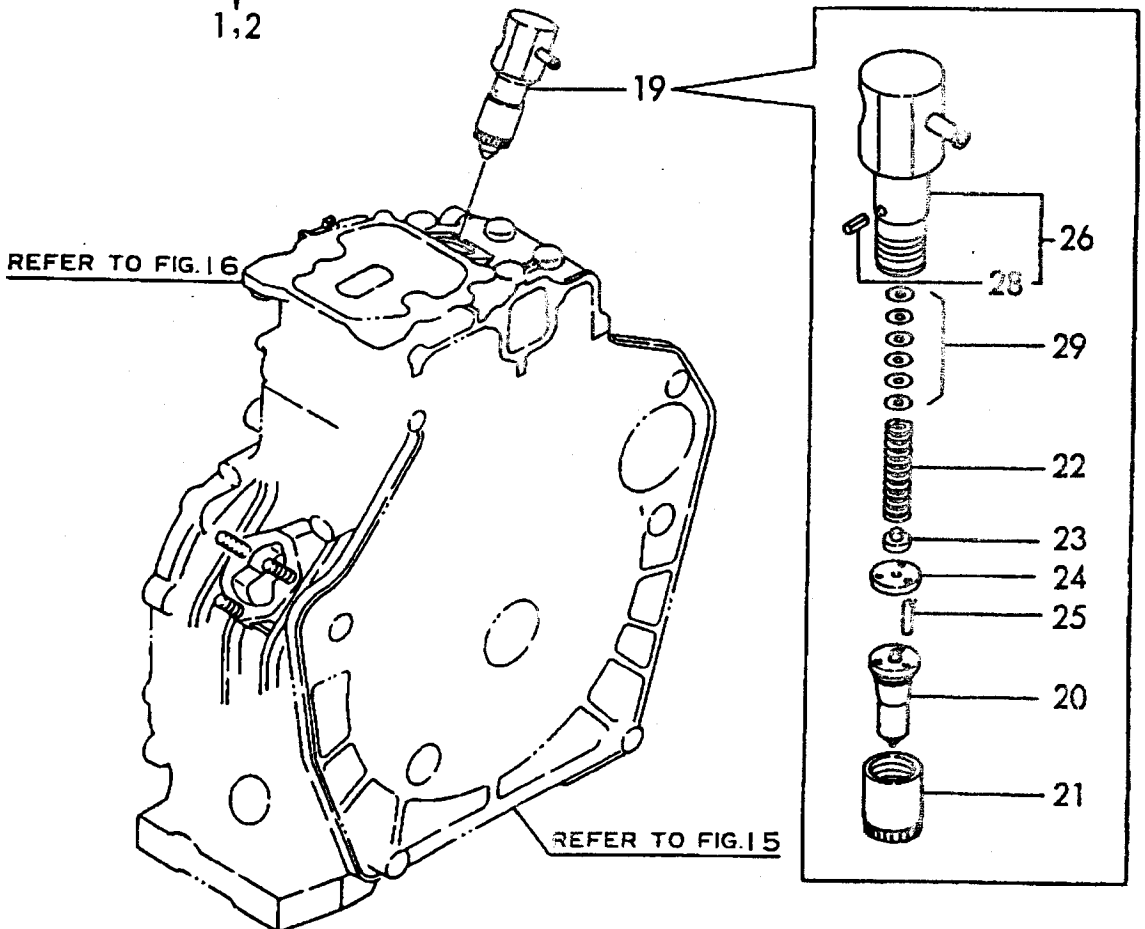
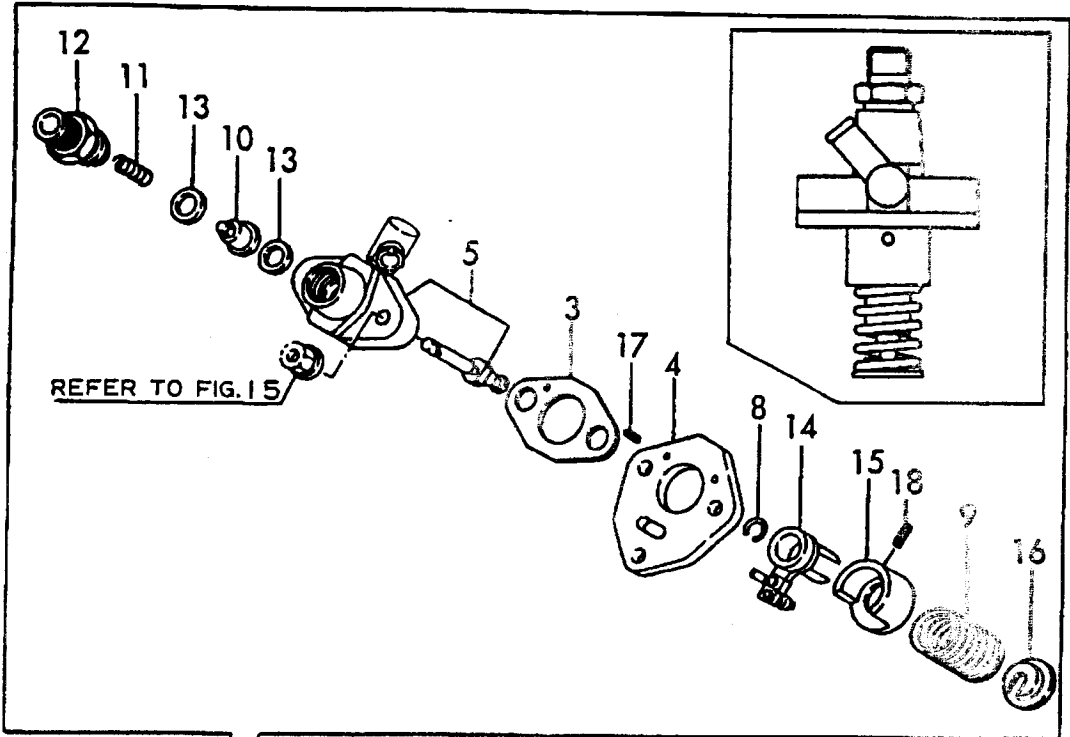
(A)= (D)=
 (B)=L60AE-D/DE (E)=L60AE-S/SE
 (C)=L70AE-D/DE (F)=L70AE-S/SE

REF. NO.	LEV. 0	PART NO.	DESCRIPTION	-----Q'TY-----						I P/U A R
				(A)	(B)	(C)	(D)	(E)	(F)	
1	.	114360-45101	CASE(D), COOLING FAN	1	1					
2	.	114870-45100	CASE(S), COOLING FAN				1	1		
3	.	114870-45200	COVER, CYLINDER	1	1		1	1		
4	.	114250-45300	RUBBER, CUSHION	5	5		5	5		
5	.	114250-45310	COLLAR	5	5		5	5		
6	.	114350-45320	RUBBER, SEAL	1	1		1	1		
7	.	114250-45330	SEAL, FAN CASE	1	1		1	1		
8	.	114350-45340	COLLAR	1	1		1	1		
9	.	183720-55210	GROMMET	1	1		1	1		
10	.	160120-76940	WASHER	5	5		5	5		
11	.	26476-060202	BOLT M 6X 20,TAPPING	1	1		1	1		
12	.	26476-060252	BOLT M 6X 25,TAPPING	5	5		5	5		
14A	.	714880-76820	RECOIL STARTER(D)ASY	1	1					
14B	.	714870-76820	RECOIL STARTER(S)ASY					1	1	
15A	..	714880-76830	RECOIL STARTER(D)ASY	1						
15A-1	..	714880-76821 (B=X	RECOIL STARTER(D)ASY)	1	1					N
16A	..	714870-76830	RECOIL STARRER(S)ASY					1		
16A-1	..	714870-76821	RECOIL STARRER(S)ASY					1	1	N
						(E=X)
18	...	714880-76831	CASE (D) W/LABEL	1	1					
19	...	714870-76831	CASE (S) W/LABEL				1	1		
21	114250-07350	LABEL, DIESEL	1	1		1	1		
22	...	160810-76520	REEL, RECOIL	1	1		1	1		
23	...	160840-76530	RATCHET	1	1					
24	...	160810-76530	RATCHET				1	1		
25	...	160810-76540	SPRING, SPIRAL	1	1		1	1		
26	...	160840-76560	SPRING, FRICTION	1	1					
27	...	160810-76560	SPRING, FRICTION				1	1		
28	...	160810-76580	PLATE, FRICTION	1	1		1	1		
30	...	160810-76620	KNOB, STARTER	1	1		1	1		
31	...	160810-76630	ROPE, STARTER	1	1		1	1		
32	...	181130-76680	NUT	1	1		1	1		
33	...	181130-76700	WASHER	1	1		1	1		
34	..	114350-76590	PULLEY, STARTER	1	1		1	1		
35	.	114250-76600	PLUNGER	1	1		1	1		
36	.	114250-76610	HOLDER, PLUNGER	1	1		1	1		
37	.	26106-060082	BOLT M 6X 8 PLATED	4	4		4	4		
38	.	26106-060122	BOLT M 6X 12 PLATED	3	3		3	3		

----- REMARKS -----

Fig. 22 FUEL INJECTION PUMP & VALVE

SPEC. CODE
D14350-51200
D14350-53100



(22) FUEL INJECTION PUMP & VALVE

+-----+
I 1010 I
I (1002) I
+-----+
Y00R3981

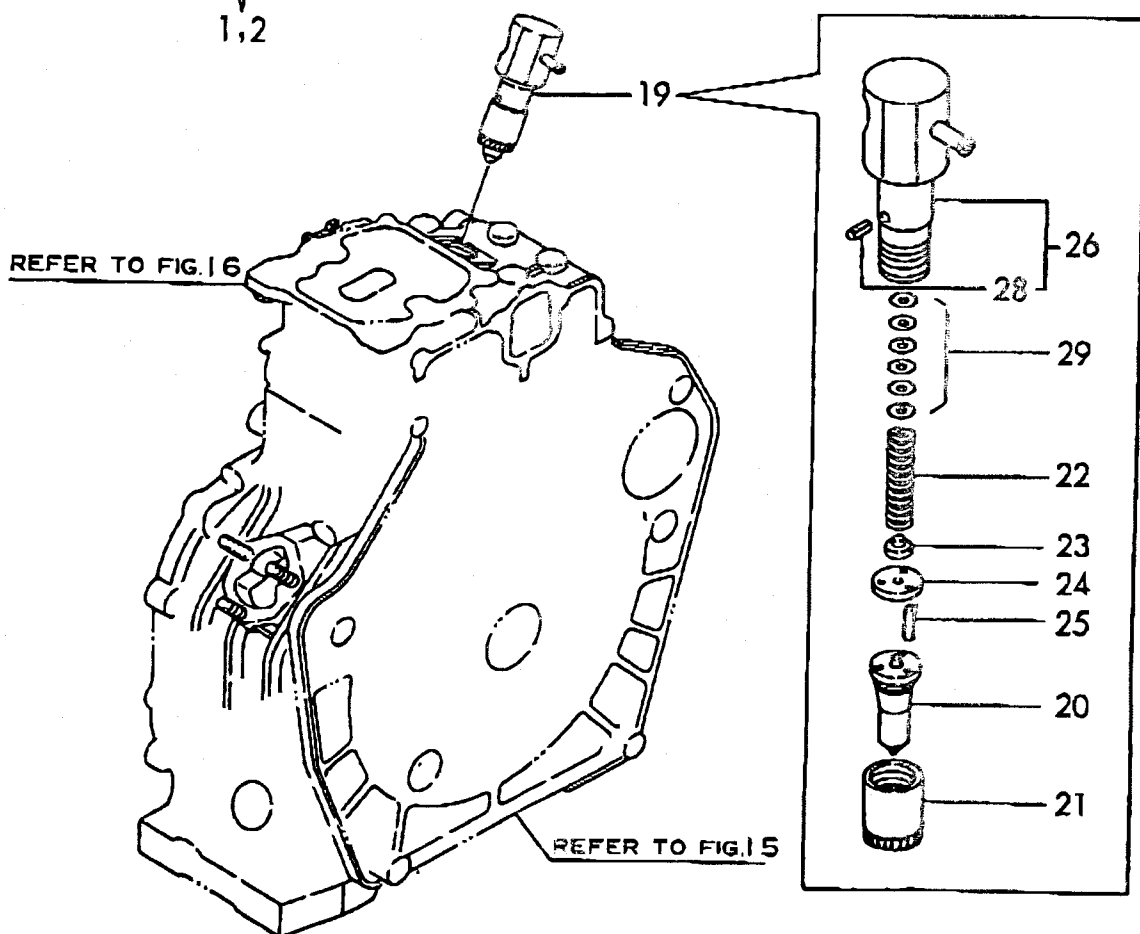
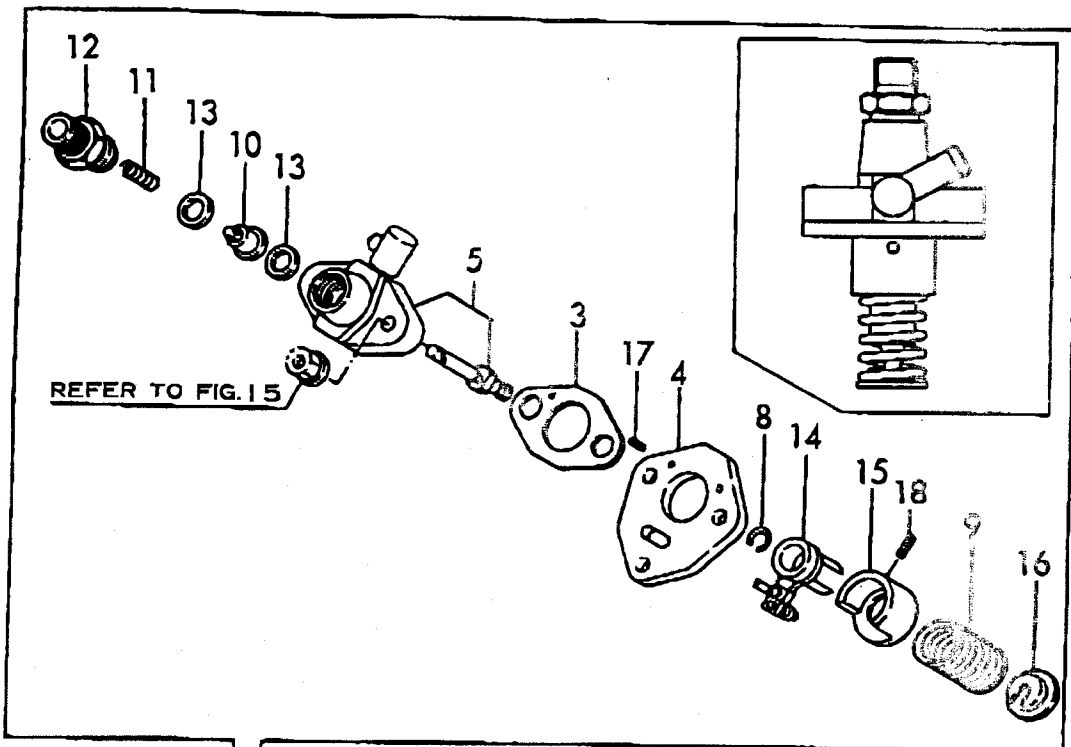
(A)= (D)=
(B)=L60AE-D/DE (E)=L60AE-S/SE
(C)=L70AE-D/DE (F)=L70AE-S/SE

REF. NO.	LEV. 0	PART NO.	DESCRIPTION	-----Q'TY-----						I	P/U	A	R
				(A)	(B)	(C)	(D)	(E)	(F)				
1A	.	714350-51710	PUMP ASSY, F.INJECT.	1				1					
1B	.	714870-51700	FUEL INJECTION PUMP			1					1		
3	..	105546-51020	GASKET	1	1			1	1				
4	..	114250-51080	PLATE	1	1			1	1				
5	..	114350-51200	BODY, F.I. PUMP	1	1			1	1				
8	..	114250-51150	SNAP RING	1	1			1	1				
9	..	114250-51160	SPRING	1	1			1	1				
10	..	114250-51300	VALVE ASSY, DELIVERY	1	1			1	1				
11	..	105546-51330	SPRING, DELIV. VALVE	1	1			1	1				
12	..	114250-51340	HOLDER, F.I.P.DELIVE	1	1			1	1				
13	..	124550-51350	GASKET, DELIVERY	2	2			2	2				
14	..	114250-51600	LEVER ASSY, CONTROL	1	1			1	1				
15	..	114250-51640	SEAT (A), SPRING	1	1			1	1				
16	..	114250-51650	SEAT (B), SPRING	1	1			1	1				
17	..	22351-020006	SPRING PIN 2X 6	2	2			2	2				
18	..	22351-030008	SPRING PIN 3X 8	1	1			1	1				
19	.	714350-53100	VALVE ASSY, F.INJECT	1	1			1	1				
19-1	.	714870-53100	VALVE ASSY, F.INJECT	1	1			1	1			N	
			(B=X)										
I 20	..	114350-53000	NOZZLE ASSY, F.INJECT	1	1			1	1				
20-1	..	114870-53000	NOZZLE ASSY, F.INJECT	1	1			1	1			N	
			(B=X)										
21	..	114250-53080	NUT, NOZZLE CASE	1	1			1	1				
22	..	114250-53120	SPRING, NOZZLE	1	1			1	1				
23	..	114250-53130	SEAT, NOZZLE SPRING	1	1			1	1				
24	..	114250-53140	PLATE, STOP	1	1			1	1				
25	..	114250-53210	PIN	2	2			2	2				
26	..	114250-53300	HOLDER ASSY, NOZZLE	1	1			1	1				
28	...	114250-53331	PIN, SPRING	1	1			1	1				
29	..	114250-53400	SHIM PACK	1	1			1	1				

----- REMARKS -----

Fig. 23 FUEL INJECTION PUMP & VALVE

SPEC. CODE
 D83250-51400
 D83350-51400
 D14250-53101
 D14350-53100



(23) FUEL INJECTION PUMP & VALVE

+-----+
 I 1D11 I
 I (1D02) I
 +-----+
 Y00R3981

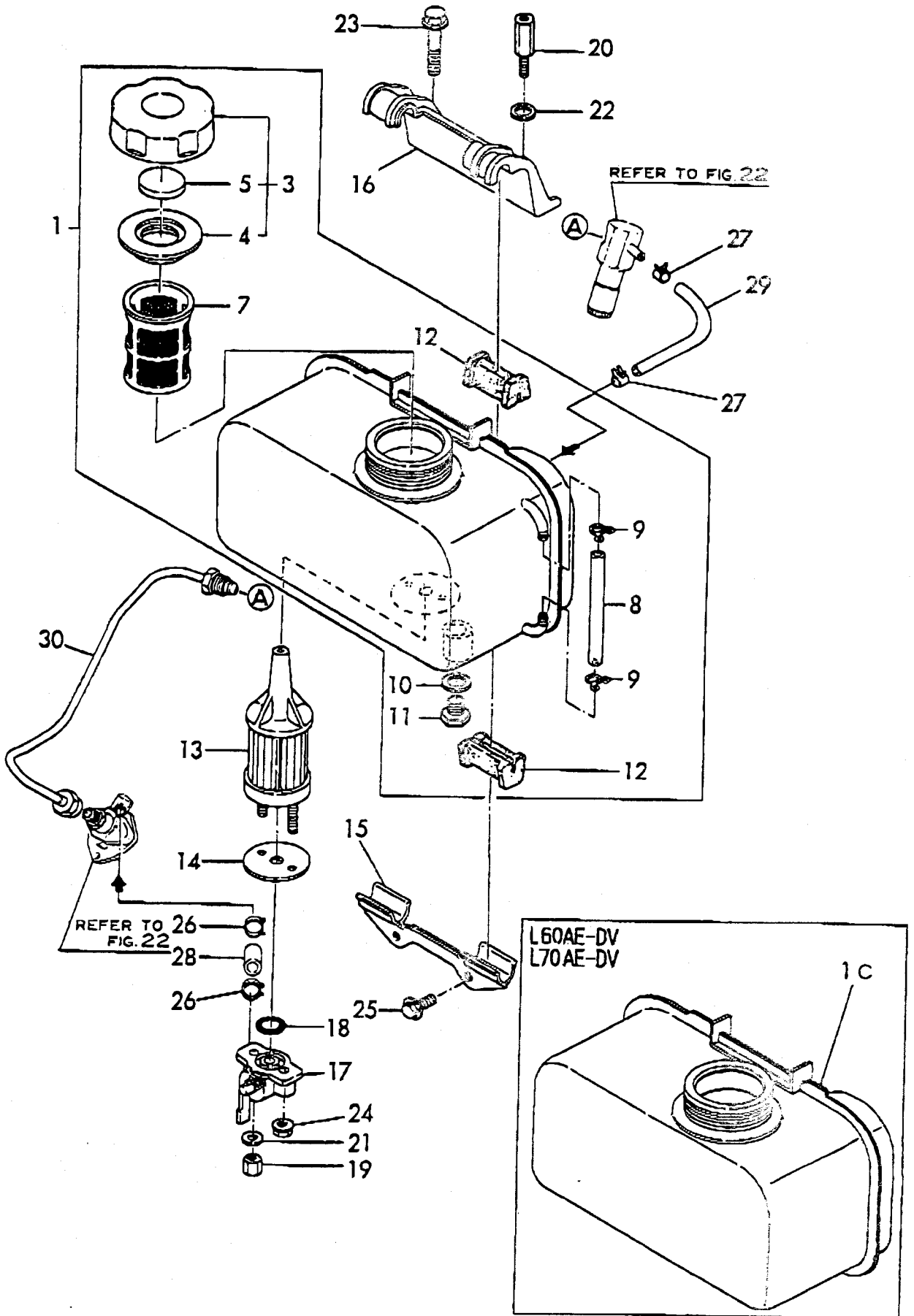
(A)= (D)=
 (B)=L60AE-D(E)TM(E)=L60AE-S(E)TM
 (C)=L70AE-D(E)TM(F)=L70AE-S(E)TM

REF. NO.	LEV. 0	PART NO.	DESCRIPTION	-----Q'TY-----						I P/U A R
				(A)	(B)	(C)	(D)	(E)	(F)	
1	.	783350-51740	PUMP ASSY. F.INJECT.	1				1		
2	.	714870-51740	PUMP ASSY. F.INJECT.			1				1
3	..	105546-51020	GASKET	1	1			1	1	
4	..	114250-51080	PLATE	1	1			1	1	
5	..	183350-51400	BODY, F. I. PUMP	1	1			1	1	
8	..	114250-51150	SNAP RING	1	1			1	1	
9	..	114250-51160	SPRING	1	1			1	1	
10	..	114250-51300	VALVE ASSY, DELIVERY	1	1			1	1	
11	..	105546-51330	SPRING, DELIV. VALVE	1	1			1	1	
12	..	114250-51340	HOLDER, F.I.P.DELIVE	1	1			1	1	
13	..	124550-51350	GASKET, DELIVERY	2	2			2	2	
14	..	114250-51600	LEVER ASSY, CONTROL	1	1			1	1	
15	..	114250-51640	SEAT (A), SPRING	1	1			1	1	
16	..	114250-51650	SEAT (B), SPRING	1	1			1	1	
17	..	22351-020006	SPRING PIN 2X 6	2	2			2	2	
18	..	22351-030008	SPRING PIN 3X 8	1	1			1	1	
19	.	714350-53100	VALVE ASSY, F.INJECT	1	1			1	1	
19-1	.	714870-53100	VALVE ASSY, F.INJECT	1	1			1	1	R
		(B=X)								
20	..	114350-53000	NOZZLE ASSY,F.INJECT	1	1			1	1	
20-1	..	114870-53000	NOZZLE ASSY,F.INJECT	1	1			1	1	R
		(B=X)								
21	..	114250-53080	NUT, NOZZLE CASE	1	1			1	1	
22	..	114250-53120	SPRING, NOZZLE	1	1			1	1	
23	..	114250-53130	SEAT, NOZZLE SPRING	1	1			1	1	
24	..	114250-53140	PLATE, STOP	1	1			1	1	
25	..	114250-53210	PIN	2	2			2	2	
26	..	114250-53300	HOLDER ASSY, NOZZLE	1	1			1	1	
28	...	114250-53331	PIN, SPRING	1	1			1	1	
29	..	114250-53400	SHIM PACK	1	1			1	1	

----- REMARKS -----

Fig. 24 FUEL TANK & FUEL LINE

SPEC. CODE
 D14350-55100
 D14354-55100
 D14350-59100



(24) FUEL TANK & FUEL PIPE

+-----+
 I 1D12 I
 I (1002) I
 +-----+
 Y00R3981

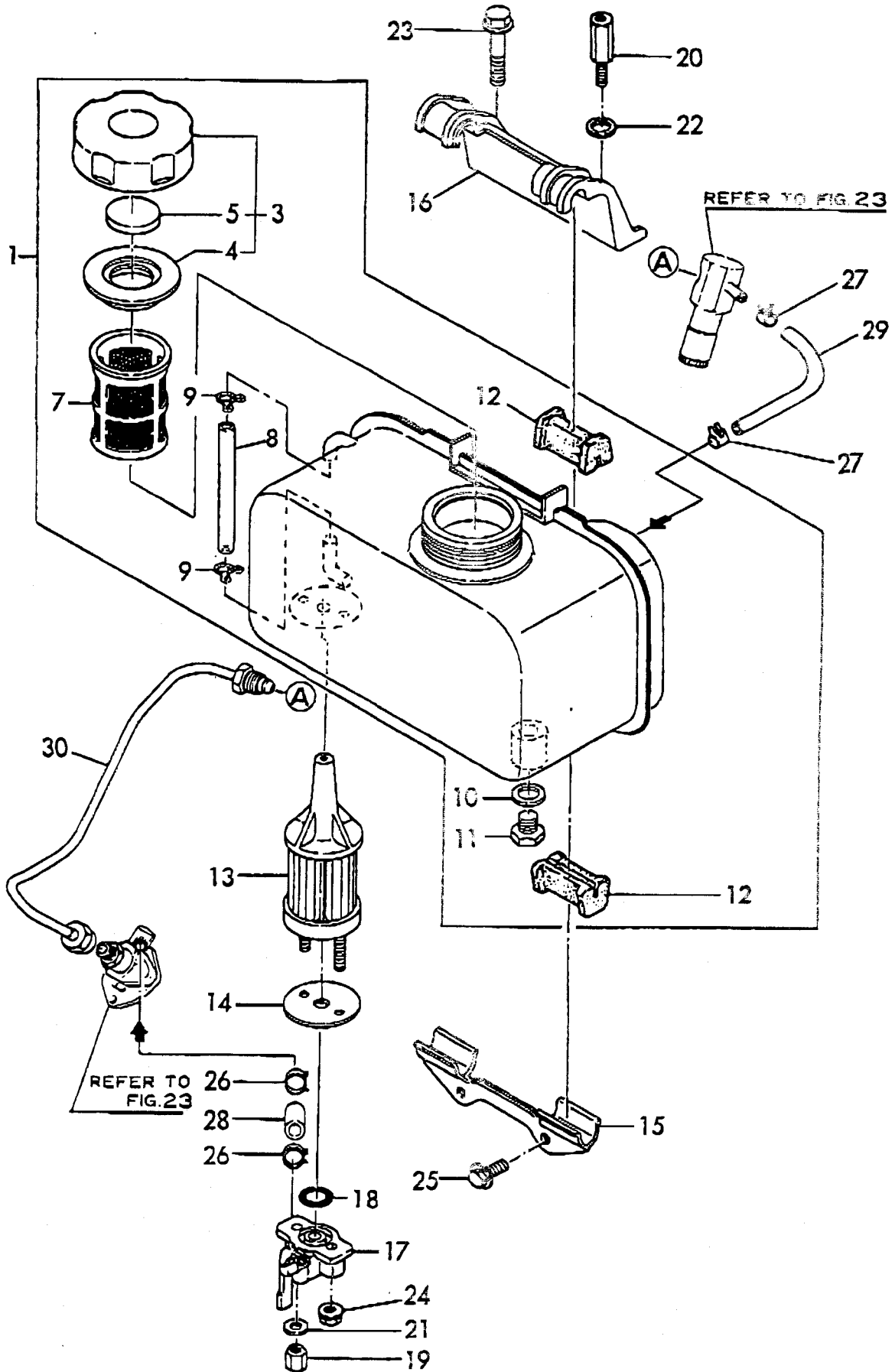
(A)= (D)=
 (B)=L60AE-D/DE (E)=L60AE-S/SE
 (C)=L70AE-D/DE (F)=L70AE-S/SE

REF. NO.	LEV. 0	PART NO.	DESCRIPTION	-----Q'TY-----						I	P/U	A	R
				(A)	(B)	(C)	(D)	(E)	(F)				
1A	.	714350-55711	TANK ASSY.FUEL(D/S	1	1			1	1				
1B	.	714368-55721	TANK ASSY.FUEL(DGMO	1	1							(X)	
1C	.	714368-55750	TANK ASSY, FUEL(DV)	1	1							(H)	
1D	.	714358-55701	TANK ASSY.FUEL(DF/SF	1	1			1	1			(U)	
3	..	114250-55041	CAP, TANK	1	1			1	1				
4	...	114250-55050	GASCET, TANK CAP	1	1			1	1				
5	...	114250-55060	SEAL	1	1			1	1				
7	..	114250-55100	FILTER, FUEL	1	1			1	1				
8	..	114350-55150	PIPE, GAUGE	1	1			1	1				
9	..	124722-59050	CLAMP 9	2	2			2	2				
10	..	23414-120000	GASKET 12, ROUND	1	1			1	1				
11	..	23887-120002	PLUG 12,HEX.	1	1			1	1				
12	..	114250-55201	DAMPER, FUEL TANK	4	4			4	4				
13	.	114350-55120	FILTER, FUEL OIL	1	1			1	1				
14	.	114250-55130	GASKET	1	1			1	1				
15	.	114250-55211	STAY (A)	1	1			1	1				
16	.	114350-55231	STAY (B)	1	1			1	1				
17	.	114250-55300	COCK ASSY, FUEL	1	1			1	1				
18	.	24341-000150	O-RING 1A S-15.0	1	1			1	1				
19	.	114252-55800	NUT	1	1			1	1				
20	.	114650-55810	BOLT, LIFTING	1	1			1	1				
21	.	22117-060000	WASHER 6	1	1			1	1				
22	.	22117-080000	WASHER 8	1	1			1	1				
23	.	26106-080452	BOLT M 8X 45 PLATED	1	1			1	1				
24	.	26366-060002	NUT M 6	1	1			1	1				
25	.	26476-060142	BOLT M 6X 14,TAPPING	2	2			2	2				
26	.	106990-44660	BAND, HOSE	2	2			2	2				
27	.	124722-59050	CLAMP 9	2	2			2	2				
28	.	114360-59060	PIPE, FUEL OIL	1	1			1	1				
29	.	114250-59060	PIPE, FUEL RETURN	1	1			1	1				
30	.	114350-59800	PIPE, FUEL INJECTION	1	1			1	1				

-----+
 REMARKS -----

(H) FOR L60AE/L70AE-D(E)V
 (X) FOR L60AE-DGMO/DEGMO
 (U) FOR L60AE/L70AE-D(E)F/S(E)F

Fig. 25 FUEL TANK & FUEL LINE



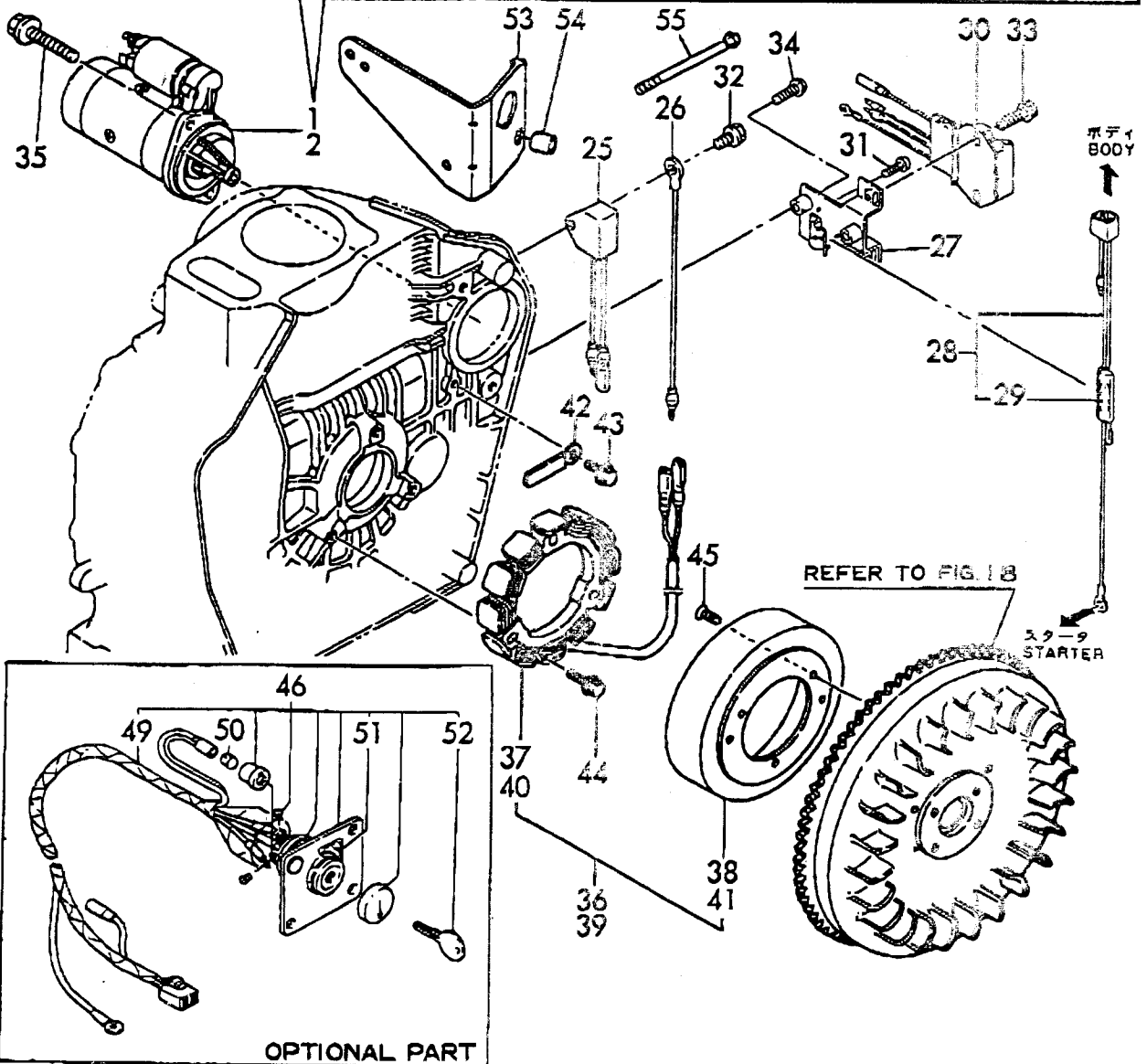
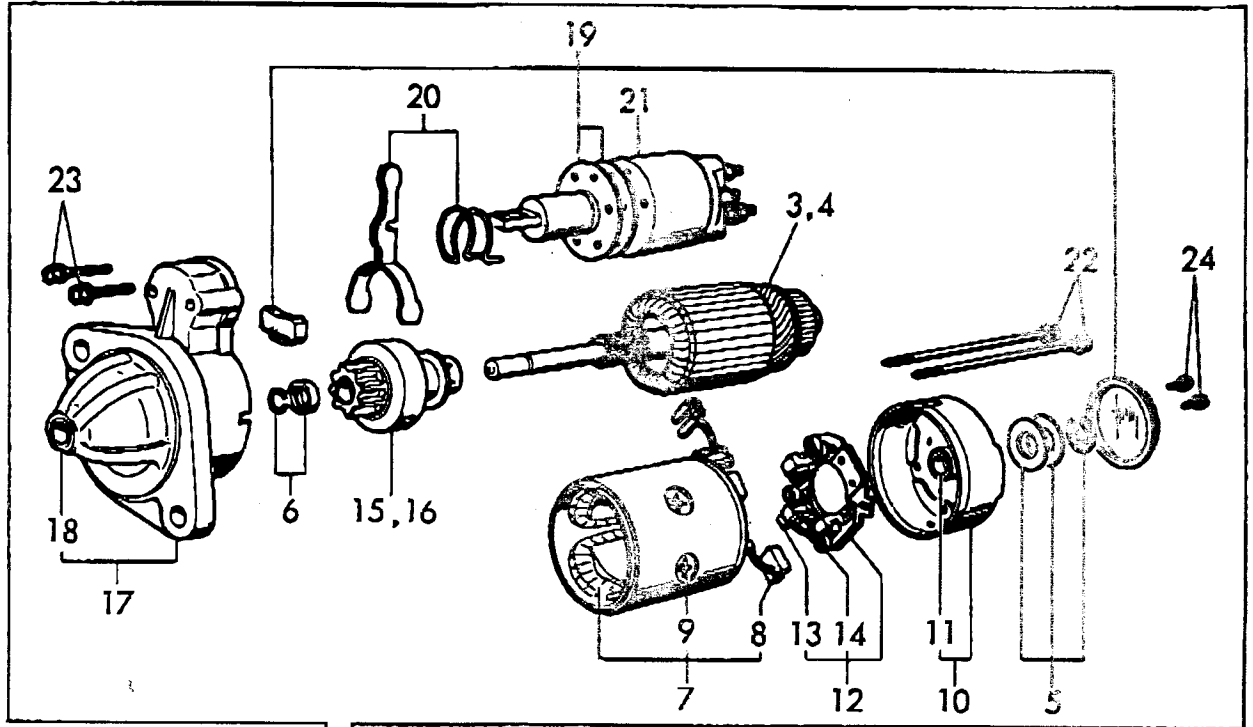
+-----+
 I 1D13 I
 I(1D02)I
 +-----+
 Y00R3981

(25) FUEL TANK & FUEL PIPE

(A)= (B)=
 (B)=L60AE-D(E)TH(E)=L60AE-S(E)TH
 (C)=L70AE-D(E)TH(F)=L70AE-S(E)TH

REF. NO.	LEV. 0	PART NO.	DESCRIPTION	-----Q'TY-----						I P/U A R
				(A)	(B)	(C)	(D)	(E)	(F)	
1	.	714368-55701	TANK ASSY. (DTH/STM)	1	1	1	1	1	1	
3	..	114250-55041	CAP, TANK	1	1	1	1	1	1	
4	...	114250-55050	GASCET, TANK CAP	1	1	1	1	1	1	
5	...	114250-55060	SEAL	1	1	1	1	1	1	
7	..	114250-55100	FILTER, FUEL	1	1	1	1	1	1	
8	..	114350-55150	PIPE, GAUGE	1	1	1	1	1	1	
9	..	124722-59050	CLAMP 9	2	2	2	2	2	2	
10	..	23414-120000	GASKET 12, ROUND	1	1	1	1	1	1	
11	..	23887-120002	PLUG 12, HEX.	1	1	1	1	1	1	
12	..	114250-55201	DAMPER, FUEL TANK	4	4	4	4	4	4	
13	.	114350-55120	FILTER, FUEL OIL	1	1	1	1	1	1	
14	.	114250-55130	GASKET	1	1	1	1	1	1	
15	.	114250-55211	STAY (A)	1	1	1	1	1	1	
16	.	114350-55231	STAY (B)	1	1	1	1	1	1	
17	.	114250-55300	COCK ASSY, FUEL	1	1	1	1	1	1	
18	.	24341-000150	O-RING 1A S-15.0	1	1	1	1	1	1	
19	.	114252-55800	NUT	1	1	1	1	1	1	
20	.	114650-55810	BOLT, LIFTING	1	1	1	1	1	1	
21	.	22117-060000	WASHER 6	1	1	1	1	1	1	
22	.	22117-080000	WASHER 8	1	1	1	1	1	1	
23	.	26106-080452	BOLT M 8X 45 PLATED	1	1	1	1	1	1	
24	.	26366-060002	NUT M 6	1	1	1	1	1	1	
25	.	26476-060142	BOLT M 6X 14, TAPPING	2	2	2	2	2	2	
26	.	106990-44660	BAND, HOSE	2	2	2	2	2	2	
27	.	124722-59050	CLAMP 9	2	2	2	2	2	2	
28	.	114360-59060	PIPE, FUEL OIL	1	1	1	1	1	1	
29	.	114250-59060	PIPE, FUEL RETURN	1	1	1	1	1	1	
30	.	114350-59800	PIPE, FUEL INJECTION	1	1	1	1	1	1	

Fig. 26 STARTING MOTOR & DYNAMO



(26) STARTING MOTOR & DYNAMO

1 1D14 I
1 (1D02) I
+-----+
Y00R3981

(A)= (D)=
(B)=L60AE-DE (E)=L50AE-SE
(C)=L70AE-DE (F)=L70AE-SE

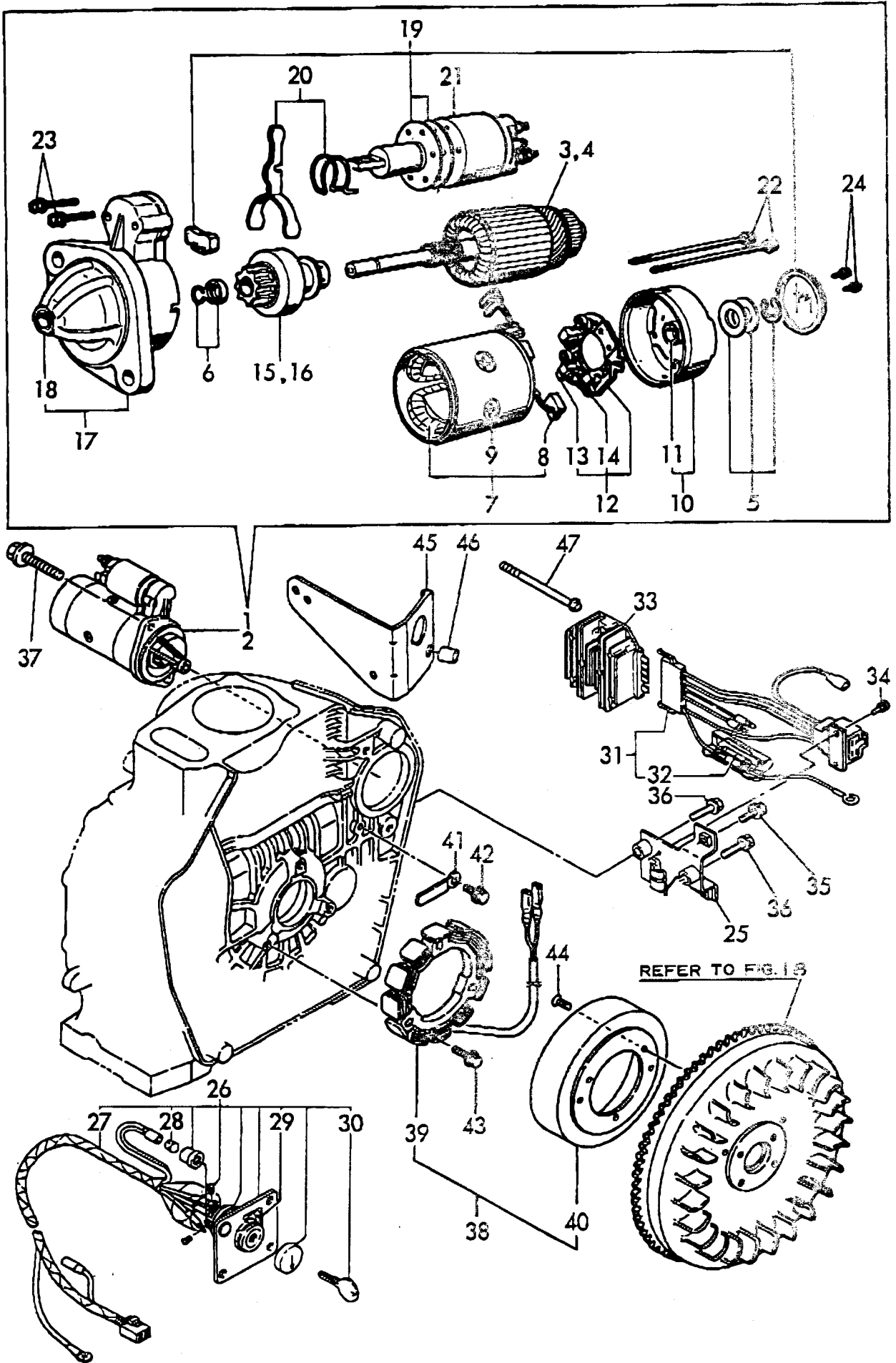
REF. NO.	LEV. 0	PART NO.	DESCRIPTION	-----Q'TY-----						I P/U A R
				(A)	(B)	(C)	(D)	(E)	(F)	
1	.	114362-77010	STARTER (S114-412A)	1	1					
2	.	114351-77010	STARTER (S114-413A)				1	1		
3	..	X211461104	ARMATURE	1	1					
4	..	X211461008	ARMATURE				1	1		
5	..	X21148110	WASHER SET, THRUST	1	1		1	1		
6	..	X21147155	STOPPER SET, PINION	1	1		1	1		
7	..	X211412105	COIL ASSY, FIELD	1	1		1	1		
8	...	X21145312	BRUSH (+)	2	2		2	2		
9	...	X21143215	SCREW, CORE	4	4		4	4		
10	..	X211473002	COVER, REAR	1	1		1	1		
11	...	X21145352	METAL	1	1		1	1		
12	..	X211489001	HOLDER ASSY, BRUSH	1	1		1	1		
13	...	X21148313	BRUSH (-)	1	1		1	1		
14	...	X21149314	SPRING, BRUSH	3	3		3	3		
15	..	X211445508	PINION ASSY	1	1					
16	..	X211445504	PINION ASSY				1	1		
17	..	X211416603	HOUSING ASSY, GEAR	1	1		1	1		
18	...	X21145352	METAL	1	1		1	1		
19	..	X211478006	COVER KIT, DUST	1	1		1	1		
20	..	X211456013	LEVER KIT, SHIFT	1	1		1	1		
21	..	X2114275010	SWITCH, MAGNETIC	1	1		1	1		
22	..	X211468005	BOLT, THROUGH	2	2		2	2		
23	..	X21145867	BOLT 6	2	2		2	2		
24	..	X21142835	SCREW SET	1	1		1	1		
25	.	160970-77350	RECTIFIER	1	1		1	1		
26	.	183350-77400	WIRE, LEAD	1	1		1	1		
27	.	114253-77410	BRACKET				1	1		(Y)
I 27- 1	.	114385-77400	BRACKET				1	1	R	
						(E=X)				
28	.	114253-77491	HARNESS, WIRE				1	1		(Y)
29	..	29411-150000	FUSE (15A), CARTRIDGE				2	2		(Y)
30	.	114253-77520	REGULATOR				1	1		(Y)
31	.	26023-040102	SCREW M 4X 10	2	2		2	2		
32	.	26106-060122	BOLT M 6X 12 PLATED	1	1		1	1		
33	.	26106-060202	BOLT M 6X 20 PLATED				2	2		(Y)
34	.	26106-060252	BOLT M 6X 25 PLATED				2	2		(Y)
I 34- 1	.	26106-060122	BOLT M 6X 12 PLATED				2	2	N	
						(E=X)				
35	.	26106-100302	BOLT M10X 30 PLATED	2	2		2	2		
36	.	114351-78250	DYNAMO ASSY	1	1		1	1		
37	..	114351-78750	STATOR ASSY	1	1		1	1		
38	..	114351-78760	WHEEL, DYNAMO	1	1		1	1		
39	.	114351-78260	DYNAMO ASSY (12V-3A)				1	1		(Y)
40	..	114351-78770	STATOR ASSY, (132.1MM				1	1		(Y)
41	..	114351-78780	WHEEL (STATOR132.1MM				1	1		(Y)
42	.	160710-78710	CLAMP, CORD	1	1		1	1		
43	.	26476-060142	BOLT M 6X 14, TAPPING	1	1		1	1		
44	.	26476-060202	BOLT M 6X 20, TAPPING	3	3		3	3		
45	.	26577-060142	SCREW M 6X 14	3	3		3	3		
46	.	114351-77500	PANEL ASSY, KEYSWITCH	1	1		1	1		(H)
49	..	114351-77700	HARNESS, WIRE	1	1		1	1		(H)
50	...	29220-083200	BULB (12V/3.4W)	1	1		1	1		(H)
51	..	105198-07120	LABEL, STARTER	1	1		1	1		(H)
52	..	106100-77630	KEY, STARTER	1	1		1	1		(H)
53	.	114351-77620	BRACKET, ST. SWITCH	1	1		1	1		(H)
54	.	114351-77630	WASHER	2	2		2	2		(H)
55	.	26106-060702	BOLT M 6X 70 PLATED	2	2		2	2		(H)

REMARKS

(H) OPTIONAL PARTS.

Fig. **27** STARTING MOTOR & DYNAMO

SPEC. CODE
 D14351-77110
 D14654-77140
 D14353-78310



(27) STARTING MOTOR & DYNAMO

+-----+
I 1D16 I
I (1002) I
+-----+
Y00R3981

(A)= (D)=
(B)=L60AE-DETM (E)=L60AE-SETM
(C)=L70AE-DETM (F)=L70AE-SETM

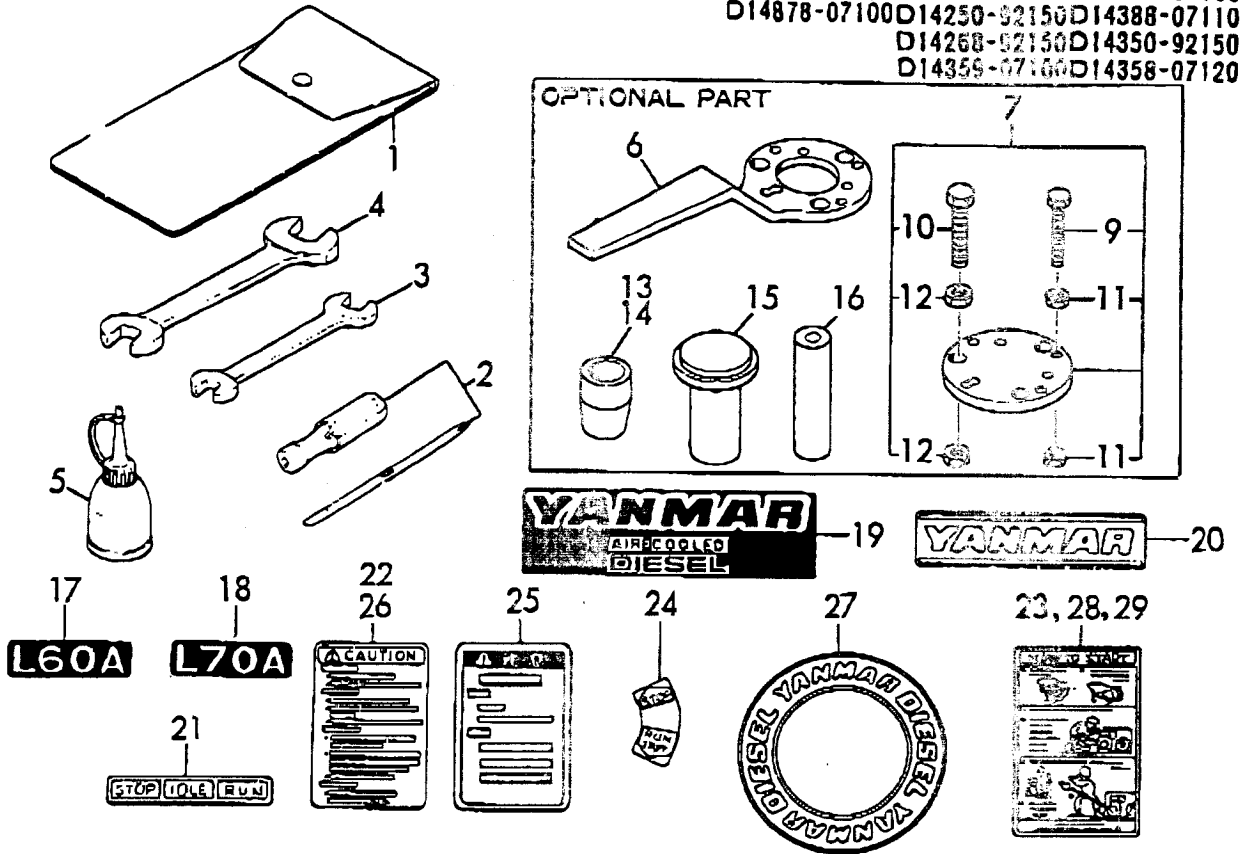
REF. NO.	LEV. 0	PART NO.	DESCRIPTION	-----Q'TY-----						P/U A R
				(A)	(B)	(C)	(D)	(E)	(F)	
1	.	114362-77010	STARTER (S114-414A)	1	1					
2	.	114351-77010	STARTER (S114-413A)					1	1	
3	..	X211461104	ARMATURE	1	1					
4	..	X211461008	ARMATURE					1	1	
5	..	X21148110	WASHER SET, THRUST	1	1			1	1	
6	..	X21147155	STOPPER SET, PINION	1	1			1	1	
7	..	X211412105	COIL ASSY, FIELD	1	1			1	1	
8	...	X21145312	BRUSH (+)	2	2			2	2	
9	...	X21143215	SCREW, CORE	4	4			4	4	
10	..	X211473002	COVER, REAR	1	1			1	1	
11	...	X21145352	METAL	1	1			1	1	
12	..	X211489001	HOLDER ASSY, BRUSH	1	1			1	1	
13	...	X21148313	BRUSH (-)	1	1			1	1	
14	...	X21149314	SPRING, BRUSH	3	3			3	3	
15	..	X211445508	PINION ASSY	1	1					
16	..	X211445504	PINION ASSY					1	1	
17	..	X211416603	HOUSING ASSY, GEAR	1	1			1	1	
18	...	X21145352	METAL	1	1			1	1	
19	..	X211478006	COVER KIT, DUST	1	1			1	1	
20	..	X211456013	LEVER KIT, SHIFT	1	1			1	1	
21	..	X211427501	SWITCH, MAGNETIC	1	1			1	1	
22	..	X211468005	BOLT, THROUGH	2	2			2	2	
23	..	X21145867	BOLT 6	2	2			2	2	
24	..	X21142835	SCREW SET	1	1			1	1	
25	.	114253-77410	BRACKET	1	1			1	1	
I 25- 1	.	114385-77400	BRACKET	1	1			1	1	R
				(E=X)						
26	.	114351-77500	PANEL ASSY, KEYSWITCH	1	1			1	1	
27	..	114351-77700	HARNESS, WIRE	1	1			1	1	
28	...	29220-083200	BULB (12V/3.4W)	1	1			1	1	
29	..	105198-07120	LABEL, STARTER	1	1			1	1	
30	..	106100-77630	KEY, STARTER	1	1			1	1	
31	..	114351-77540	HARNESS, WIRE	1	1			1	1	
32	..	29411-150000	FUSE (15A), CARTRIDGE	2	2			2	2	
33	.	119660-77710	CURRENT LIMITER	1	1			1	1	
34	.	26023-040102	SCREW M 4X 10	2	2			2	2	
35	.	26106-060202	BOLT M 6X 20 PLATED	2	2			2	2	
36	.	26106-060252	BOLT M 6X 25 PLATED	2	2			2	2	
I 36- 1	.	26106-060122	BOLT M 6X 12 PLATED	2	2			2	2	N
				(E=X)						
37	.	26106-100302	BOLT M10X 30 PLATED	2	2			2	2	
38	.	114351-78260	DYNAMO ASSY (12V-3A)	1	1			1	1	
39	..	114351-78770	STATOR ASSY, (132.1MM	1	1			1	1	
40	..	114351-78780	WHEEL (STATOR132.1MM	1	1			1	1	
41	.	160710-78710	CLAMP, CORD	1	1			1	1	
42	.	26476-060142	BOLT M 6X 14, TAPPING	1	1			1	1	
43	.	26476-060202	BOLT M 6X 20, TAPPING	3	3			3	3	
44	.	26577-060142	SCREW M 6X 14	3	3			3	3	
45	.	114351-77620	BRACKET, ST. SWITCH	1				1		(H)
46	.	114351-77630	WASHER	2				2		(H)
47	.	26106-060702	BOLT M 6X 70 PLATED	2				2		(H)

----- REMARKS -----

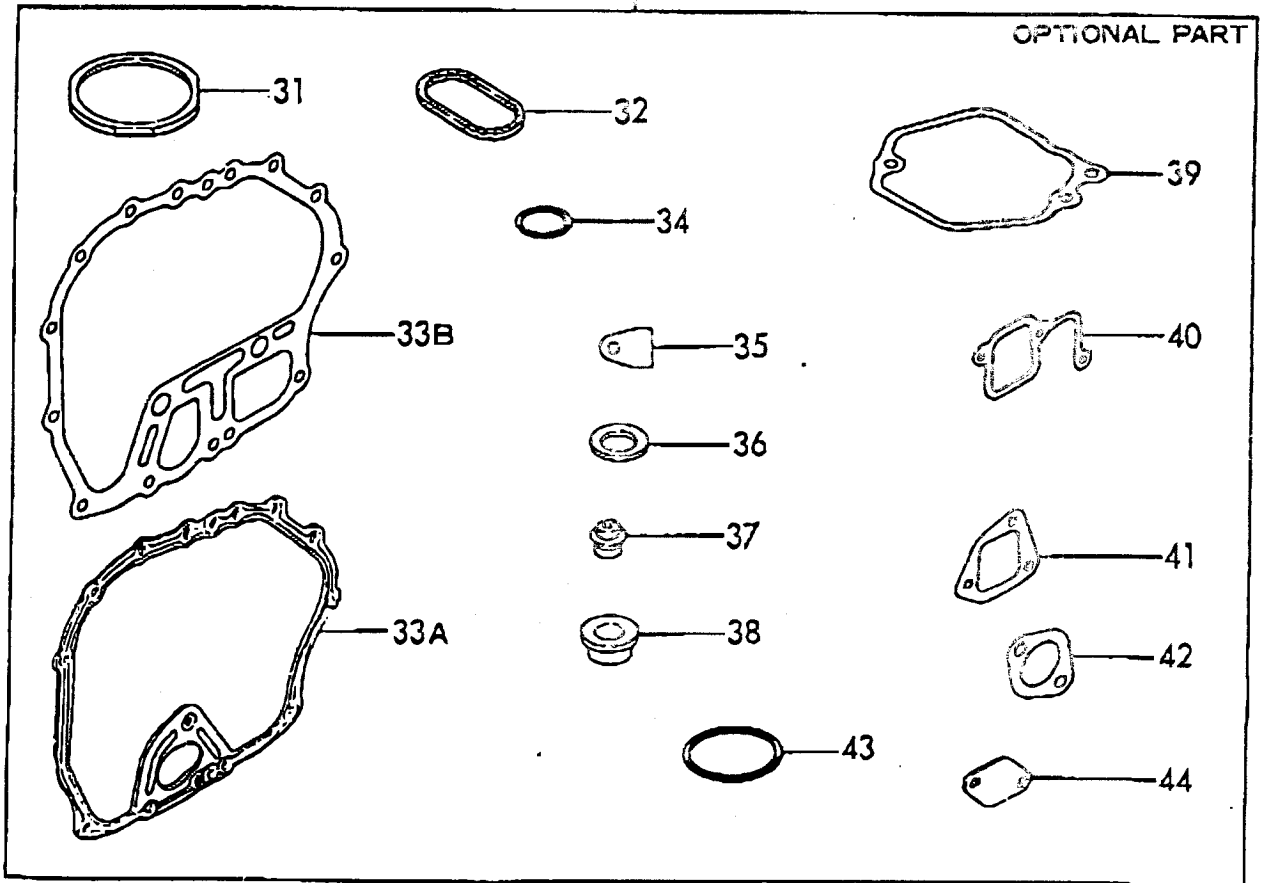
I (H) OPTIONAL PARTS

Fig. **28** TOOL, LABEL & GASKET SET

SPEC. CODE
 D14368-92150 D14368-07100 D14278-07110
 D14278-07100 D14368-07120 D14288-07100
 D14350-92150 D14368-07140 D14288-07110
 D14354-07100 D14368-92150 D14378-07100
 D14354-07110 D14369-07110 D14378-07110
 D14358-07100 D14250-92100 D14388-07100
 D14878-07100 D14250-92150 D14388-07110
 D14268-92150 D14350-92150
 D14359-07160 D14358-07120



30



(28) TOOLS / LABELS & GASKET SET

+-----+
 I 1E01 I
 I (1D02) I
 +-----+
 YOOR3981

(A)= (D)=
 (B)=L60AE-D/DE (E)=L60AE-S/SE
 (C)=L70AE-D/DE (F)=L70AE-S/SE

REF. NO.	LEV. 0	PART NO.	DESCRIPTION	-----Q'TY-----						I	P/U	A	R
				(A)	(B)	(C)	(D)	(E)	(F)				
1	.	114250-92600	BAG, TOOL	1	1								
2	.	160330-92730	SCREWDRIVER	1	1								
3	.	28110-100120	WRENCH 10X12	1	1								
4	.	28110-140170	WRENCH 14X17	1	1								
5	.	28210-000150	FEEDER, OIL	1	1								
6	.	114250-92101	F.W. LOCKING HANDLE	1	1							(Y)	
7	.	114250-92130	REMOVER, FLYWHEEL	1	1							(Y)	
9	..	26116-060454	BOLT M 6X 45 PLATED	4	4							(Y)	
10	..	26116-080454	BOLT M 8X 45 PLATED	3	3							(Y)	
11	..	26716-060002	NUT M 6	8	8							(Y)	
12	..	26716-080002	NUT M 8	6	6							(Y)	
13	.	114368-92300	GUIDE, OIL SEAL	1	1							(Y)	
14	.	114350-92301	GUIDE, OIL SEAL					1		1		(Y)	
15	.	114350-92311	INSTALLING TOOL	1	1					1		(Y)	
16	.	114350-92350	INSTALLING TOOL	1	1					1		(Y)	
17A	.	114370-07050	LABEL (L60A)	1									
17B	.	114870-07050	LABEL		1						1		
19	.	114250-07090	LABEL, AIR COOLED	1	1					1			
20	.	114250-07110	LABEL, YANMAR	1	1					1			
21	.	183250-07230	LABEL, OPERATION	1	1					1			
22	.	114268-07240	LABEL, CAUTION	1	1					1			
23	.	114250-07250	LABEL, HOW TO START	1	1					1			
24	.	114250-07260	LABEL, OPERATION	1	1					1			
25	.	114268-07260	LABEL, CAUTION	1	1					1			
26	.	114268-07280	LABEL, PRECAUTION	1	1								
27	.	114250-07350	LABEL, YANMAR DIESEL	1	1					1			
28	.	114268-07350	LABEL, HOW TO START	1	1					1			
29	.	114268-07360	LABEL, HOW TO START (F	1	1								
30A	.	714370-92600	GASKET SET	1						1			
30B	.	714870-92600	GASKET SET		1						1	92457	
31A	..	114350-01340	GASKET, CYL. HEAD	1									
31B	..	114870-01340	GASKET, CYL. HEAD		1						1		
32	..	114350-01380	O-RING	1	1					1			
33A	..	114350-01411	GASKET, CRANK CASE	1	1					1			
33B	..	114350-01412	GASKET, CRANK CASE	1	1					1			
34	..	24311-000180	O-RING 1A P-18.0	2	2					2			
35	..	114250-01840	GASKET	1	1					1			
36	..	43400-500490	SEAL WASHER 16	2	2					2			
37	..	114350-11340	SEAL, VALVE STEM	2	2					2			
38	..	114250-11460	GASKET, NOZZLE	1	1					1			
39	..	114250-11310	GASKET, BONNET	1	1					1			
41A	..	114350-12200	GASKET, AIR INTAKE	1	1					1			
41B	..	114350-12201	GASKET, AIR INTAKE	1	1					1			
42A	..	114250-12210	GASKET, AIR CLEANER	1	1					1			
42C	..	114352-12210	GASKET, AIR CLEANER	1	1					1			
43	..	114250-13200	GASKET, MUFFLER	1	1					1			
44	..	103338-32570	O-RING	1	1					1			
45	..	114250-35270	GASKET, L.O. STRAINER	1	1					1			

REMARKS

(Y) OPTIONAL PARTS