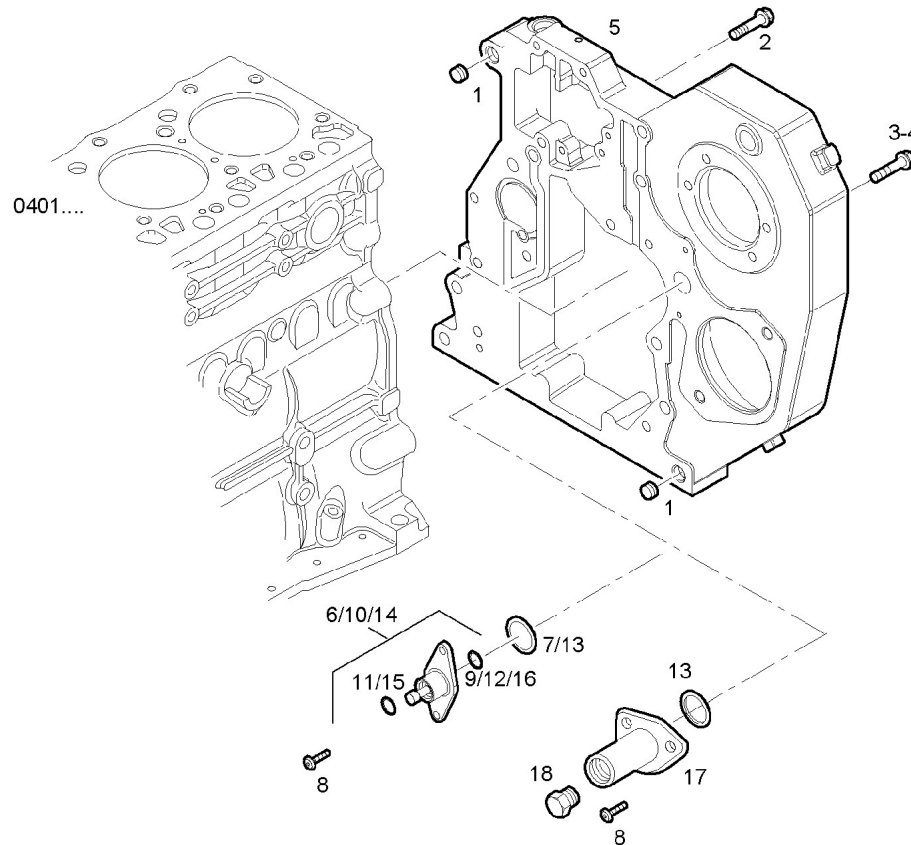


REAR C.CASE COVER

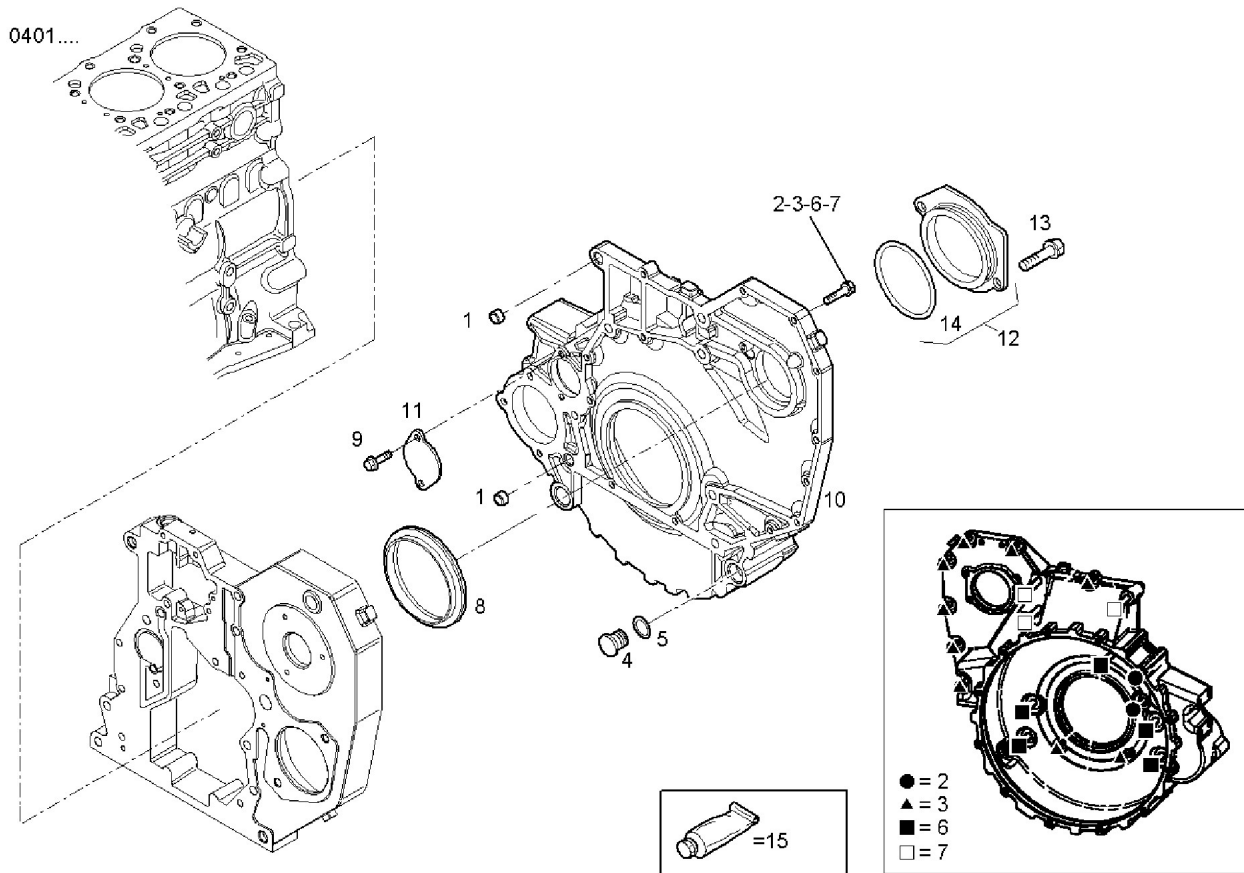
0432.013



Item	Part number	Q.ty	Description	See also	Producer Note
1	4899026	2	DOWEL PIN		
2	4899091	4	HEXAGON BOLT		
3	4899093	5	HEXAGON BOLT		
4	4899073	1	HEXAGON BOLT		
5	504095648	1	TIMINGGEAR HOUSIN		
6	4895356	1	CONNECTING PLATE ASSY [UP TO # 161404]		
7	4895357	1	SEAL GASKET [UP TO # 161404]		
8	4895355	2	SHEAR SCREW M5X17 MM		
9	4895418	1	O-RING [UP TO # 161404]		
10	504074001	1	LOCKING PLATE ASSY [FROM # 161405]		
11	504079852	1	SPRING LOCKWASHER [FROM # 161405]		
12	17278090	1	O-RING [FROM # 161405]		
13	17278780	1	O-RING [FROM # 161405]		
14	504074001	1	LOCKING PLATE ASSY [UP TO # 295151]		
15	504079852	1	SPRING LOCKWASHER [UP TO # 295151]		
16	17278090	1	O-RING [UP TO # 295151]		
17	504170787	1	LOCKING PLATE [FROM # 295152]		
18	16882515	1	PLUG [FROM # 295152]		

**FLYWHEEL HOUSING**

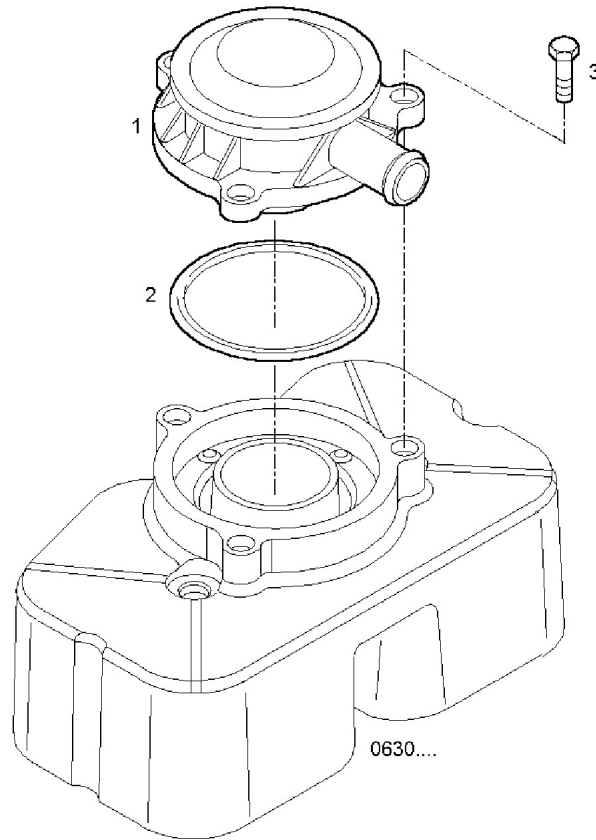
0435.020



Item	Part number	Q.ty	Description	See also	Producer Note
1	4899026	2	DOWEL PIN		
2	4899109	2	HEXAGON BOLT M10X1,5X80 MM		
3	4892915	11	HEXAGON BOLT M10X1,5X40 MM		
4	4895378	1	PLUG Ø29 MM		
5	17288480	1	O-RING 3,53x21,81		
6	4899076	5	HEXAGON BOLT M12X80 MM		
7	4899074	3	HEXAGON BOLT		
8	4890833	1	SHAFT SEAL		
9	4899068	2	HEXAGON BOLT M8X17 MM		
10	504128011	1	FLYWHEEL HOUSING		
11	4895155	1	COVER		
12	504115364	1	COVER ASSY		
13	16673635	2	HEXAGON BOLT M8X1.25X20		
14	17285481	1	O-RING Ø75,87 MM SP=2,62 MM		
15	2992504	1	ADHESIVE/STICKER LOCTITE		

ENGINE BREATHERS

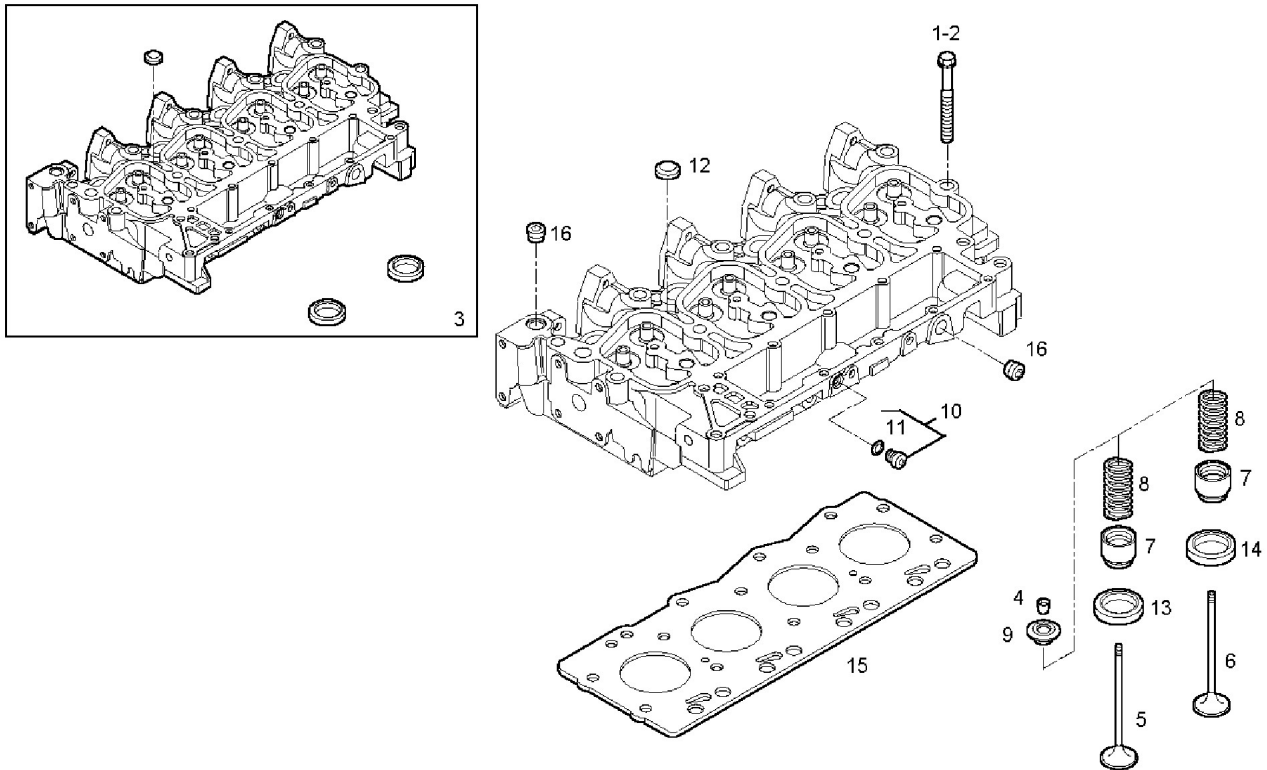
0450.192



Item	Part number	Q.ty	Description	See also	Producer Note
1	504069558	1	VALVE		
2	500315795	1	SEAL GASKET		
3	4899110	3	HEXAGON BOLT		

CYLINDER HEAD

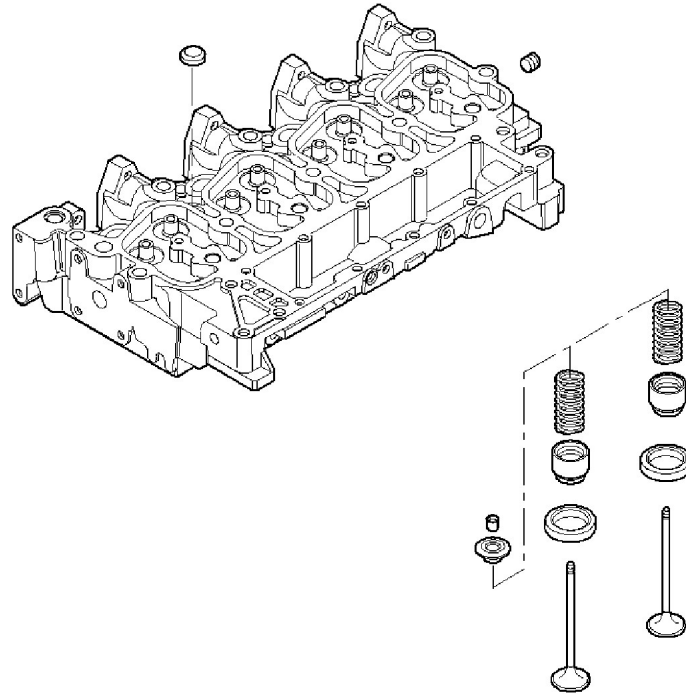
0610.012



Item	Part number	Q.ty	Description	See also	Producer Note
1	4892861	4	HEXAGON BOLT M15X1,75		
2	4892859	10	HEXAGON BOLT M15X1,75		
3	4895791	1	CYLINDER HEAD ASSY		
4	4895183	16	VALVE CONE		
5	4899632	4	EXHAUST VALVE		
6	4895187	4	INLET VALVE		
7	4895347	8	CAP		
8	4895215	8	ENGINE VALV.SPRING		
9	4895184	8	SPRING CAP		
10	4899009	1	THREADED PLUG ASSY M10X1		
11	4899072	1	O-RING		
12	4895179	3	LOCK PLUG		
13	4897178	4	VALVE SEAT STD. INTAKE		
14	4897179	4	VALVE SEAT STD. EXHAUST		
15	2830919	1	CYL.HEAD GASKET		
16	4895078	5	THREADED PLUG		

CYLINDER HEAD with mobile elements

0610.049

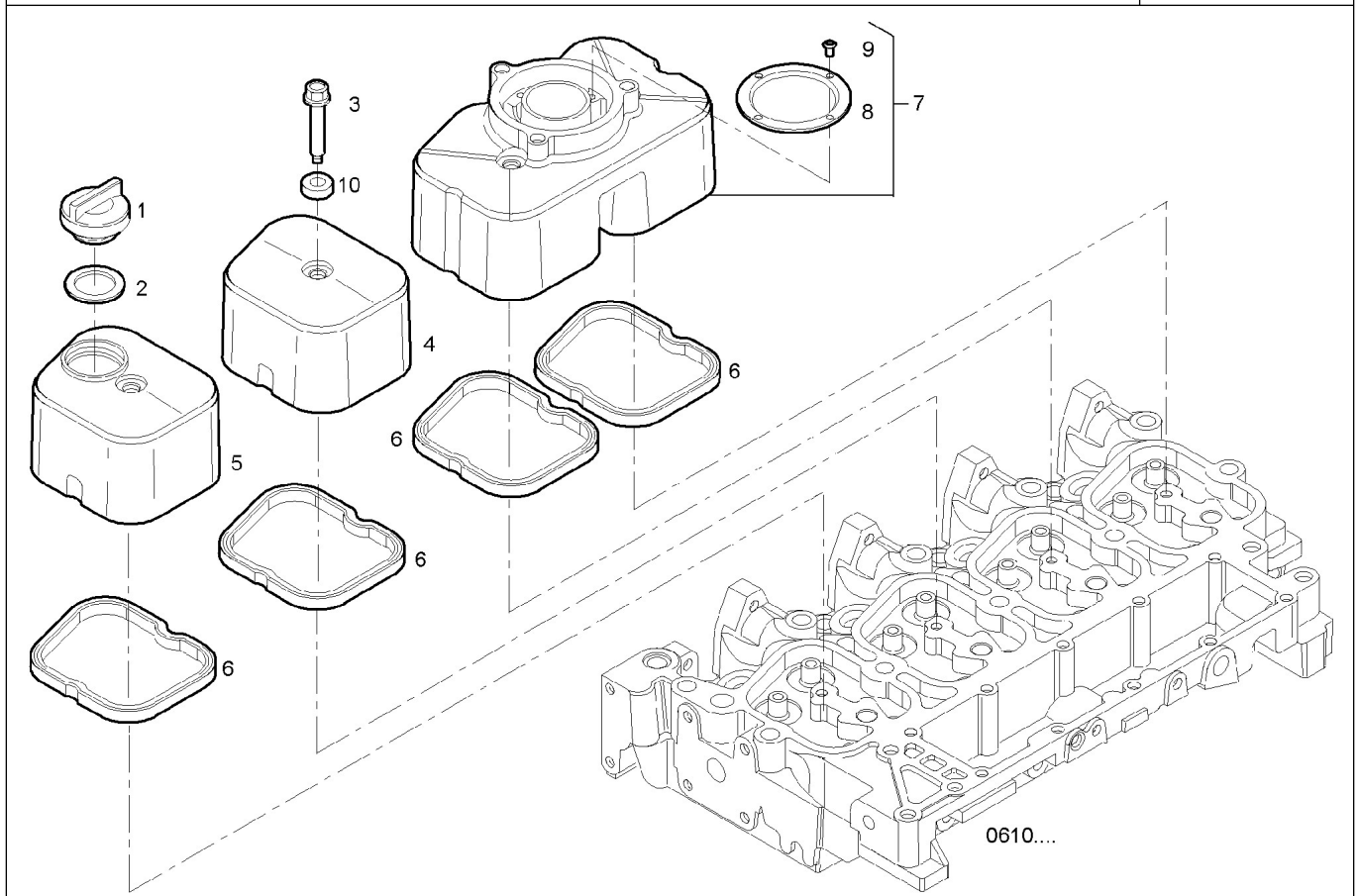


1

Item	Part number	Q.ty	Description	See also	Producer Note
1	8099002	1	CYLINDER HEAD with elements (valves, springs...)		

CYL. HEAD COVERS

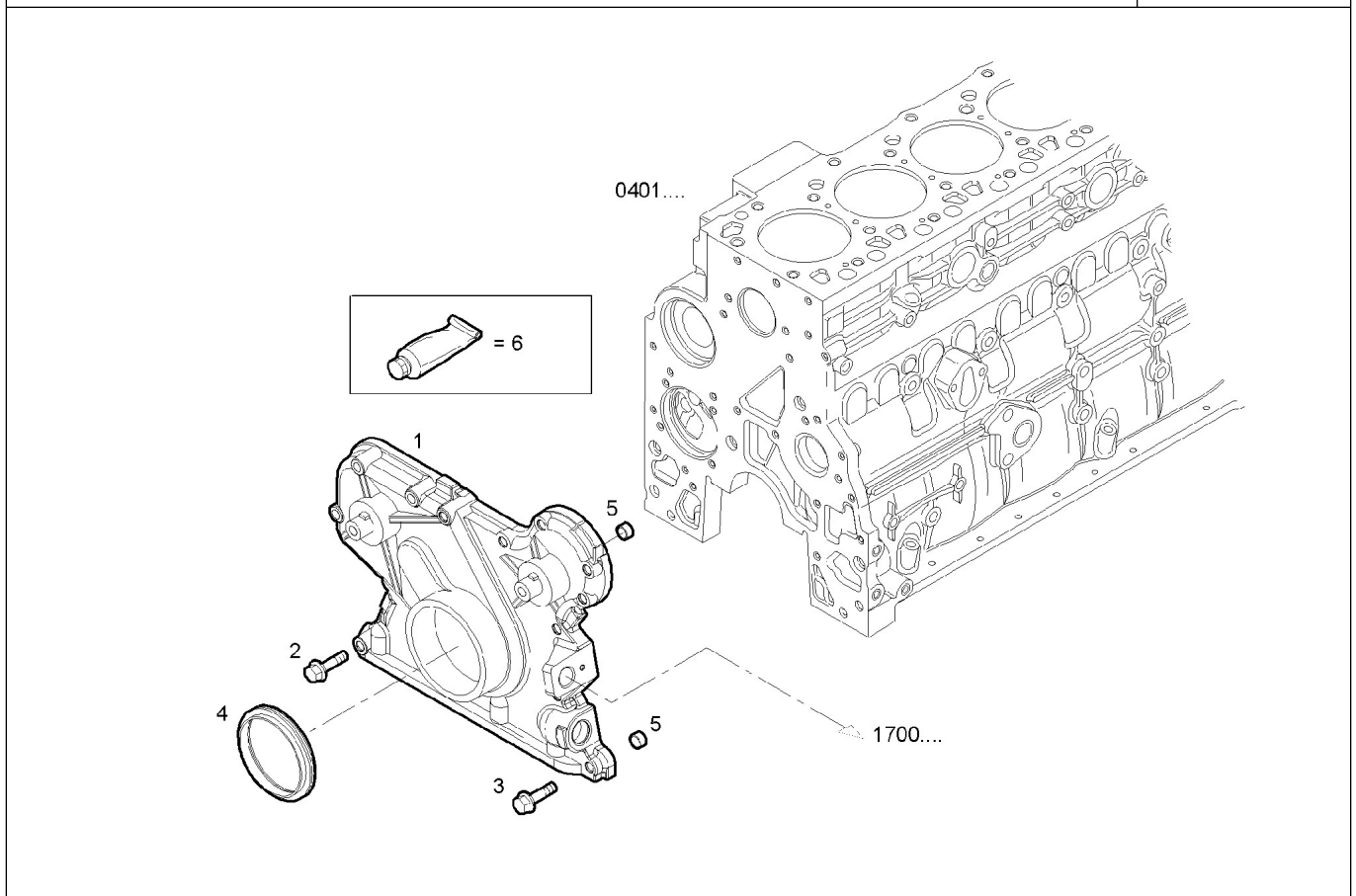
0630.028



Item	Part number	Q.ty	Description	See also	Producer Note
1	4895202	1	OIL FILLER PLUG		
2	4895296	1	SEAL GASKET		
3	4895214	4	HEXAGON BOLT M8X1,25		
4	504065040	1	CYL. HEAD COVER		
5	504065039	1	CYL. HEAD COVER		
6	504053522	4	HEAD COVER GASKET		
7	2830784	1	CYL. HEAD COVER		
8	2830775	1	CENTERING RING		
9	16784504	4	SCREW		
10	4895360	4	DOWEL		

FRONT C.CASE COVER

0431.000



Item	Part number	Q.ty	Description	See also	Producer Note
1	4897026	1	FRONT C.CASE COVER		
2	4899078	5	HEXAGON BOLT		
3	4899063	8	HEXAGON BOLT M8X30 MM		
4	4890832	1	SHAFT SEAL		
5	4891209	2	DOWEL PIN		
6	2992504	1	ADHESIVE/STICKER LOCTITE		