



PARTS CATALOG

DIESEL ENGINE

L70N5EN9F9HAMA

Published

Aug., 2008

000Y00R7390

Introduction

1. This parts catalog is a first edition of the L70N5EN9F9HAMA Diesel engine for Italian Dealers.

	Parts catalog No.	Date of issue	Remarks
First edition	000Y00R7390	Aug. , 2008	

2. This parts catalog does not contain the technical data needed for maintenance service.

3. The illustrations used in this parts catalog have been simplified for clarity.

4. The contents of this parts catalog are subject to change without notice.

5. Be sure to use only Yanmar genuine parts for repairs. If imitation parts are used, it may cause engine defects.

Directions for the Parts Catalog.

- 1.The parts stipulated in this Parts Catalog are not necessarily standard equipped parts.
- 2.Parts may change without prior notice.
- 3.The following is an example of the Parts Catalog format.

REF.	LEV.	PARTS No.	DESCRIPTION	QTY						I	R
				(A)	(B)	(C)	(D)	(E)	(F)		
1		729595-51390	FUEL INJECTION PUMP	1	1	1	1	1	1		
1-1	1	729595-51391	FUEL INJECTION PUMP	1	1	1	1	1	1		N
		(A=E00185) (B=E00200)									
3	2	26022-060162	SCREW M 6X16	9	9	9	9	9	9		
1	3-1	26022-060162	SCREW M 6X16	4	4	4	4	4	4		K
		(A=E00156) (B=E00156) (C=E00156) (D=E00156) (E=E00156)									
4	2	129470-51040	CAMSHIFT	9	9	9	9	9	9		
5	2	122710-51050	BEARING. ROLLER	9	9	9	9	9	9		
6	2	129470-51060	RETAINER	9	9	9	9	9	9		

Remarks
(1) BOOST COMPENSATOR TYPE. OPTIONAL PART. TO E/#00155 (4JH-DT, 4JH-DTZ)

① Ref. No.

The Ref. No. listed may not be in accordance with the illustration Ref. No.

(Ex.) Illustration No. List Ref No.

1 1 (Before change) → 1-1 (After change)

For interchangeable symbols N, R and K, illustrations for new parts may be abbreviated.

② Lev. (Level)

Level indication

The numbers below indicate the level of relativity towards the main part.

1 ---- Main parts (Assembly parts)

2 ---- Sub component included in " 1 ".

3 ---- Sub component included in " 2 ".

Note) Parts that are not for sale are partially illustrated but not listed.

③ Change Mark

The "I" indicates parts that were newly changed.

④ Interchangeability Mark

When a part change takes place, one of the following interchangeability symbols is indicated beside the part.

Symbol	Interchangeability	Contents note
N	Old $\begin{matrix} \leftarrow \text{Yes} \\ \text{No} \rightarrow \end{matrix}$ New	New Part is interchangeable for Old Part but Old Part is not interchangeable for New Part.
Q	Old $\begin{matrix} \text{No} \leftarrow \\ \text{Yes} \rightarrow \end{matrix}$ New	New Part is not interchangeable for Old Part but Old Part is interchangeable for New Part.
R	Old $\begin{matrix} \leftarrow \text{Yes} \\ \text{Yes} \rightarrow \end{matrix}$ New	New/ Old Parts are both interchangeable.
S	Old $\begin{matrix} \text{No} \leftarrow \\ \text{No} \rightarrow \end{matrix}$ New	New/ Old Parts are both not interchangeable.
W		Part discontinued.
Z		Part newly added.
F		Not interchangeable by a single part but interchangeable together with related parts.
K		Changes only for used parts quantities.

⑤ Effective Machine No.

When a part changes, the effective Machine No. will be indicated in the (A)-(F) column.

Product Symbol	Product No.	Product Symbol	Product No.
C	Clutch No. Compressor No.	F	Machine No. (Agricultural Equip.)
D	Drive No.	M	Machine No.
E	Engine No.	Note 1)	Date

Note 1) A date may follow the symbol. (Ex.) 1996.01

Note 2) " XXX " are for parts that could not be predicted or for engine models that could not be identified.

Note 3) (A=E/#00185) is the E/# (Engine Serial Number) for the column (A) model (in this case 4JH-DT) after the parts design change.

⑥ Remarks Mark

Figures or alphabets (symbols) are entered in the remarks column.

The comments (remarks) on parts that are indicated at the bottom of the illustration are the same symbols as those stated above.

CONTENTS

MODEL : L70N5EN9F9HAMA(ITALIAN DEALERS)

PC NO : Y00R7390

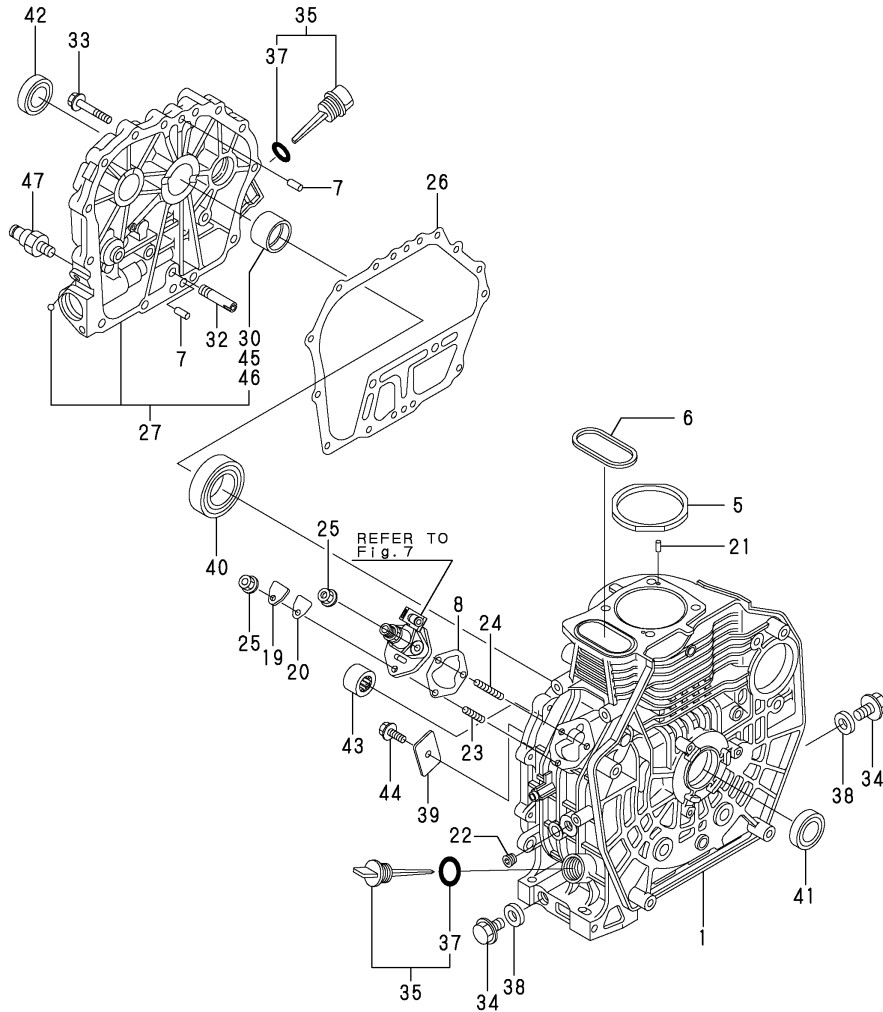
Fig.No. GROUP NAME

L70N5EN9F9HAMA

1. CYLINDER BLOCK
2. CYLINDER HEAD & BONNET
3. INTAKE MANIFOLD
4. CRANKSHAFT, PISTON & CAMSHAFT
5. LUB.OIL PUMP & GOVERNOR
6. COOLING DEVICE
7. FUEL INJECTION PUMP & FUEL INJECTION VALVE
8. STARTING MOTOR
9. TOOL, LABEL & GASKET SET

Fig.No. GROUP NAME

Fig.1. CYLINDER BLOCK



(A)=L70N5EN9F9HAMA

(B)=

(C)=

(D)=

(E)=

(F)=

REF.	LEV.	PARTS NO.	DESCRIPTION	Q'TY						I	R
				(A)	(B)	(C)	(D)	(E)	(F)		
1	1	114210-01020	BLOCK ASSY, CYLINDER	1							
5	1	114395-01340	GASKET, HEAD 0.5	1							
6	1	114399-01380	O-RING	1							
7	1	114299-01600	PIN, 8X12	2							
8	1	114299-01800	SHIM SET	1							
19	1	114299-01830	COVER,(FO PUMP	1							
20	1	114250-01841	GASKET	1							
21	1	22312-040080	PIN 4X8,STRAIGHT	2							
22	1	23875-020000	PLUG PT1/4,STEEL	1							
23	1	26226-060182	STUD M 6X 18 PLATED	1							
24	1	26226-060222	STUD M 6X 22 PLATED	2							
25	1	26366-060002	NUT M 6	3							
26	1	114399-01410	GASKET, CRANK CASE	1							
27	1	114210-01450	COVER(E-D,CRANK CASE	1							
30	2	114350-02100	BEARING, MAIN	1							1
32	1	114299-35150	PIPE, L.O. INLET	1							
33	1	26106-080352	BOLT M 8X 35 PLATED	15							
34	1	114299-01690	PLUG M16	2							
35	1	114699-01760	CAP, W/LUB.OIL GAUGE	2							
37	2	114299-01950	O-RING	2							
38	1	22190-160002	SEAL WASHER 16S	2							
39	1	114299-02030	RETAINER	1							
40	1	114350-02113	BALL BEARING	1							
41	1	160110-02220	SEAL, OIL	1							
42	1	160110-02220	SEAL, OIL	1							
43	1	24162-152116	NEEDLE BEARING	1							
44	1	26106-080122	BOLT M 8X 12 PLATED	1							
45	1	114350-02200	MAIN BEARING US=0.25	1							2
46	1	114350-02210	MAIN BEARING US=0.50	1							3
47	1	183250-39450	SENDER, OIL PRESSURE	1							

Fig.2. CYLINDER HEAD & BONNET

(A)=L70N5EN9F9HAMA

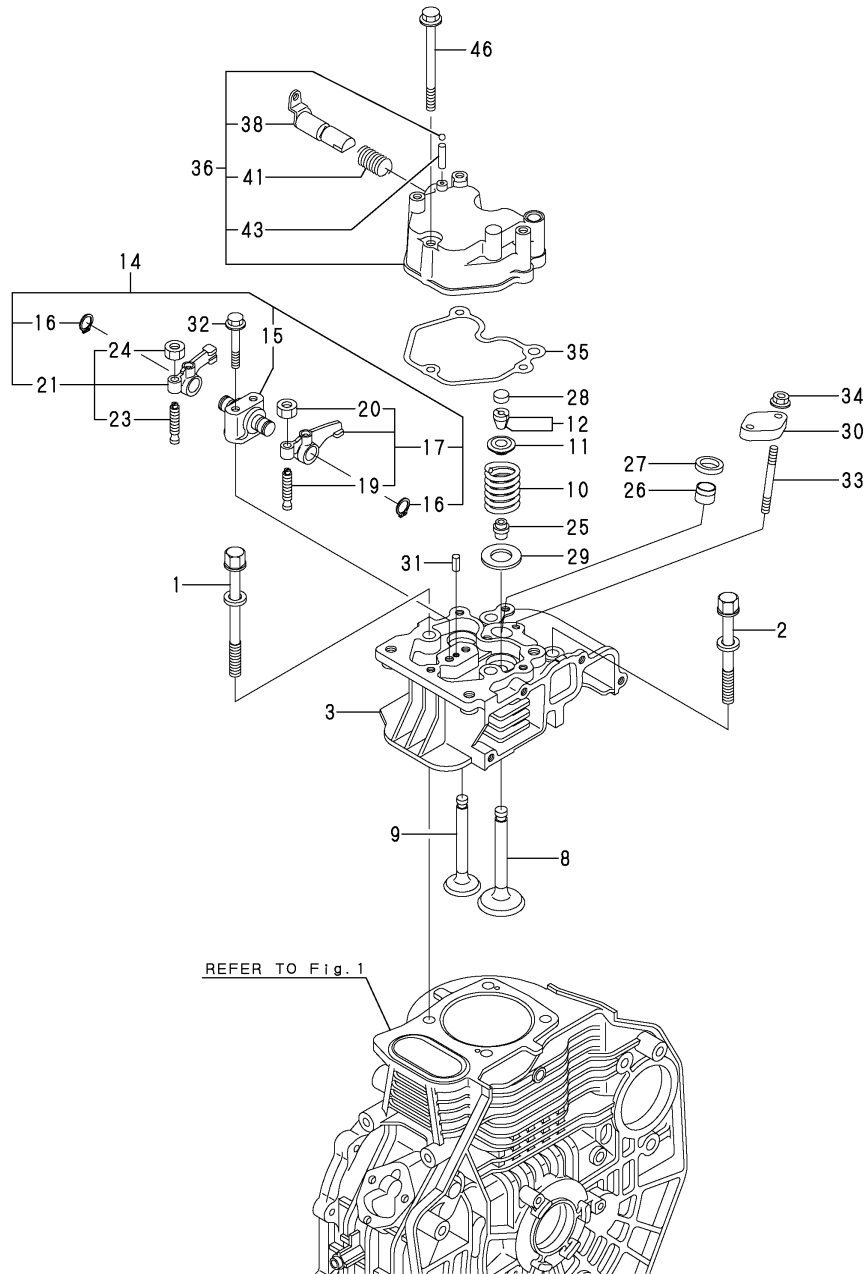
(B)=

(C)=

(D)=

(E)=

(F)=



REF.	LEV.	PARTS NO.	DESCRIPTION	QTY						I	R
				(A)	(B)	(C)	(D)	(E)	(F)		
1	1	114210-01200	BOLT, CYL.HEAD A	2							
2	1	114210-01210	BOLT, CYL.HEAD B	2							
3	1	114220-11020	HEAD ASSY, CYLINDER	1							
8	1	114210-11100	VALVE, INTAKE	1							
9	1	114210-11110	VALVE, EXHAUST	1							
10	1	114210-11120	SPRING, VALVE	2							
11	1	114210-11180	RETAINER, SPRING	2							
12	1	114210-11930	COTTER ASSY	2							
14	1	114210-11250	SUPPORT ASSY, ROCKER	1							
15	2	114210-11260	SUPPORT, ROCKER ARM	1							
16	2	114210-11280	C TYPE RETAINING RIN	2							
17	2	114210-11650	ARM ASSY, INTAKE	1							
19	3	114299-11240	SCREW, ADJUSTING	1							
20	3	26856-060002	LOCK NUT 6	1							
21	2	114210-11660	ARM ASSY, EXHAUST	1							
23	3	114299-11240	SCREW, ADJUSTING	1							
24	3	26856-060002	LOCK NUT 6	1							
25	1	114350-11340	SEAL, VALVE STEM	2							
26	1	114240-11450	PROTECTOR, NOZZLE	1							
27	1	114240-11550	SEAT, NOZZLE	1							
28	1	105010-11490	CAP, VALVE	2							
29	1	114299-11600	WASHER, VALVE SPRING	2							
30	1	114210-11901	RETAINER, NOZZLE	1							
31	1	22351-040008	SPRING PIN 4X 8	1							
32	1	26106-060402	BOLT M 6X 40 PLATED	2							
33	1	26226-060552	STUD M6X 55 PLATED	2							
34	1	26366-060002	NUT M 6	2							
35	1	114210-11310	GASKET, BONNET	1							
36	1	114210-11960	BONNET ASSY, HEAD	1							
38	2	114210-03580	SHAFT ASSY, DECOMP.	1							
41	2	114299-03640	SPRING, DECOMP.	1							
43	2	22312-030160	PARALLEL PIN 3X16	1							
46	1	26106-060552	BOLT M 6X 55 PLATED	3							

Fig.3. INTAKE MANIFOLD

(A)=L70N5EN9F9HAMA

(B)=

(C)=

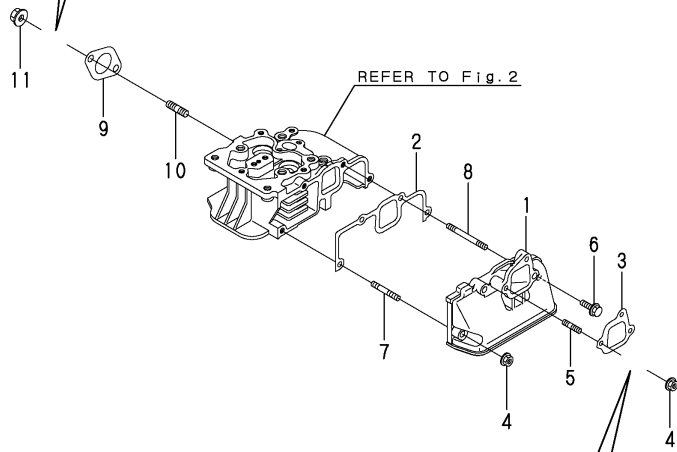
(D)=

(E)=

(F)=

REF.	LEV.	PARTS NO.	DESCRIPTION	QTY						I	R
				(A)	(B)	(C)	(D)	(E)	(F)		
1	1	114210-12050	MANIFOLD, INTAKE	1							
2	1	114210-12210	GASKET, AIR CLEANER	1							
3	1	114299-12210	GASKET, AIR CLEANER	1							
4	1	114299-12300	U-NUT	5							
5	1	26226-060142	STUD M 6X 14 PLATED	2							
6	1	26106-060202	BOLT M 6X 20 PLATED	1							
7	1	26226-060302	STUD M 6X 30	2							
8	1	26226-060502	STUD M 6X 50	1							
9	1	114299-13200	GASKET, MUFFLER	1							
10	1	26216-080182	STUD M 8X 18 PLATED	2							
11	1	26366-080002	NUT M 8	2							

A MUFFLER IS CUSTOMER ARRANGEMENTS.



AN AIR CLEANER IS CUSTOMER ARRANGEMENTS.

Fig.4. CRANKSHAFT, PISTON & CAMSHAFT

(A)=L70N5EN9F9HAMA

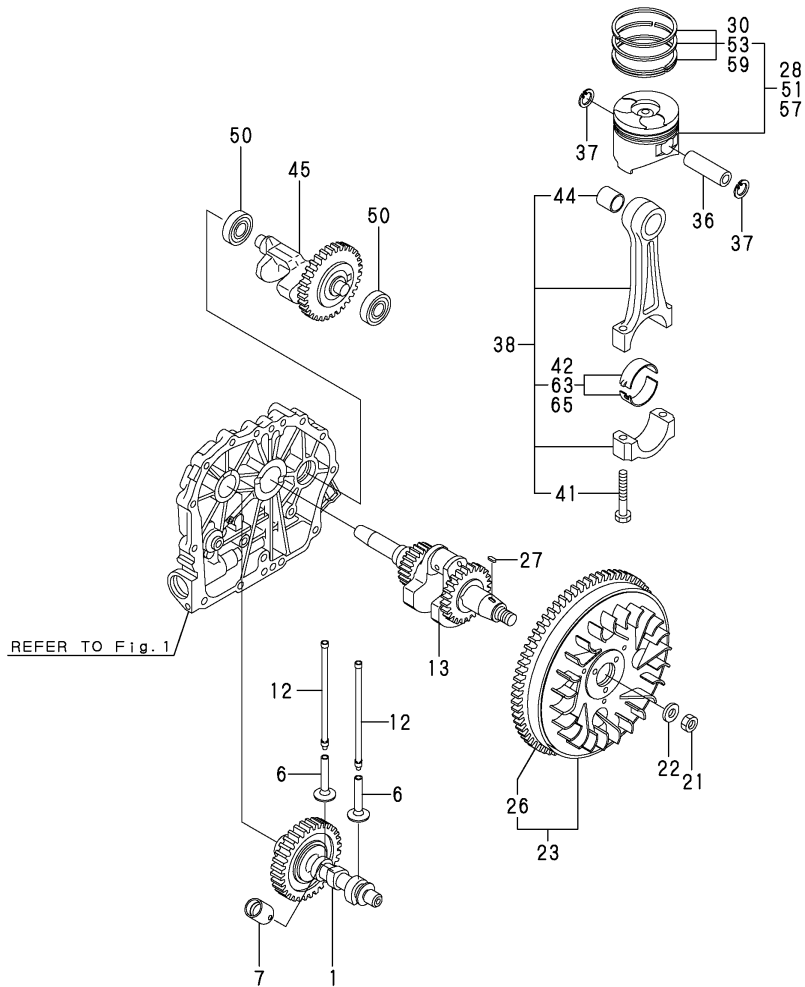
(B)=

(C)=

(D)=

(E)=

(F)=



REF.	LEV.	PARTS NO.	DESCRIPTION	Q'TY						I	R
				(A)	(B)	(C)	(D)	(E)	(F)		
1	1	714220-14580	CAMSHAFT ASSY	1							
6	1	114210-14200	TAPPET		2						
7	1	114210-14300	TAPPET ASSY, ROLLER		1						
12	1	114210-14400	ROD ASSY, PUSH		2						
13	1	714210-21720	CRANKSHAFT(E-DG ASSY		1						
21	1	114299-21220	NUT		1						
22	1	114299-21550	WASHER, FLYWHEEL		1						
23	1	114399-21590	FLYWHEEL ASSY, DE		1						
26	2	114399-21600	GEAR, RING D		1						
27	1	22512-040120	KEY 4X 12		1						
28	1	714220-22720	PISTON W/RINGS (D		1						
30	2	714870-22502	RING SET, PISTON		1						
36	1	114399-22300	PISTON PIN		1						
37	1	22252-000210	CIRCLIP 21		2						
38	1	714210-23701	ROD ASSY, CONNECTING		1						
41	2	118200-23200	BOLT, ROD		2						
42	2	114210-23600	BEARING, CRANK PIN		1						
44	2	114380-23100	BUSH, PISTON PIN		1						
45	1	714210-28510	SHAFT ASSY, BALANCER		1						
50	1	24101-062030	BALL BEARING		2						
51	1	714220-22620	PISTON W/RING OS=.25		1						1
53	2	714870-22542	RING SET O.S=0.25		1						1
57	1	714220-22580	PISTON W/RING OS=0.5		1						2
59	2	714870-22552	RING SET O.S=0.50		1						2
63	1	114210-23610	BEARING, PIN(U.S=0.25		1						3
65	1	114210-23620	BEARING, PIN(U.S=0.50		1						4

Fig.5. LUB.OIL PUMP & GOVERNOR

(A)=L70N5EN9F9HAMA

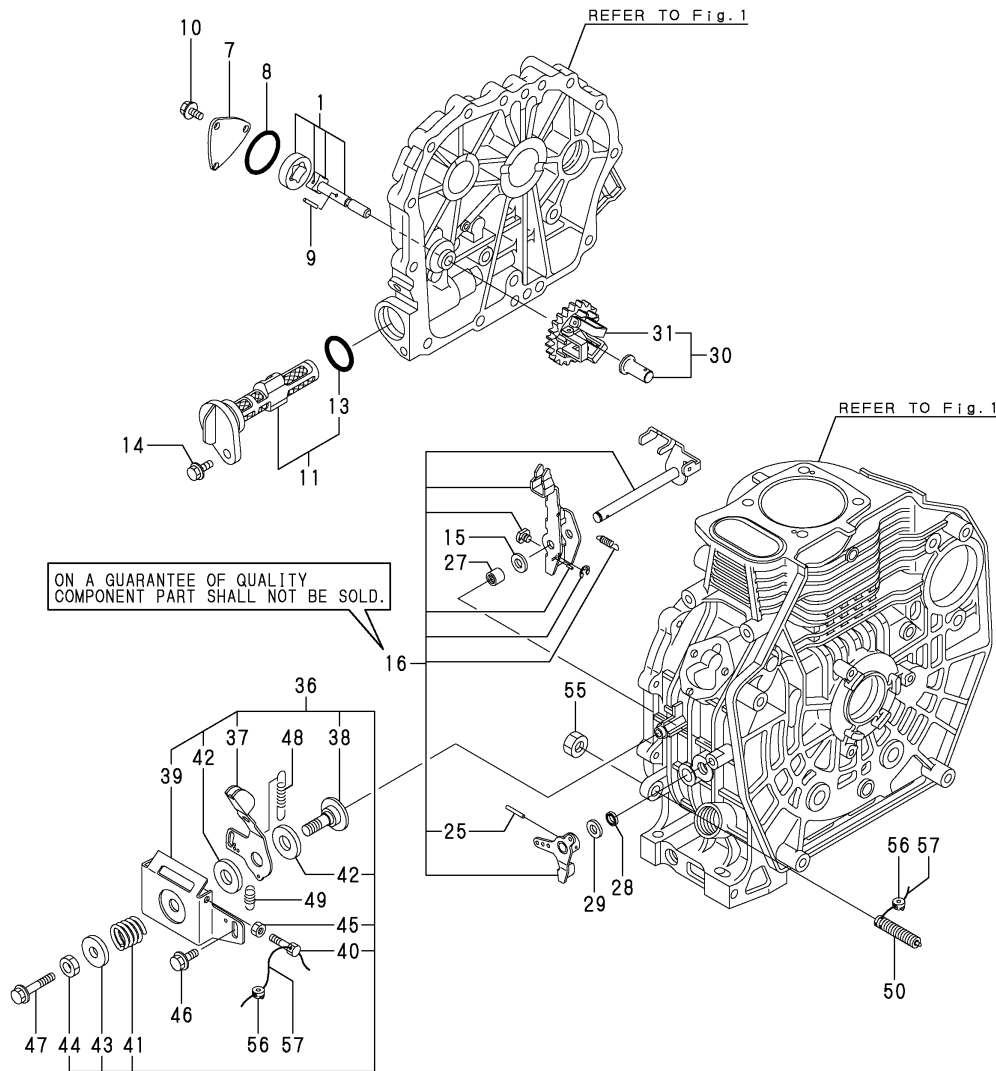
(B)=

(C)=

(D)=

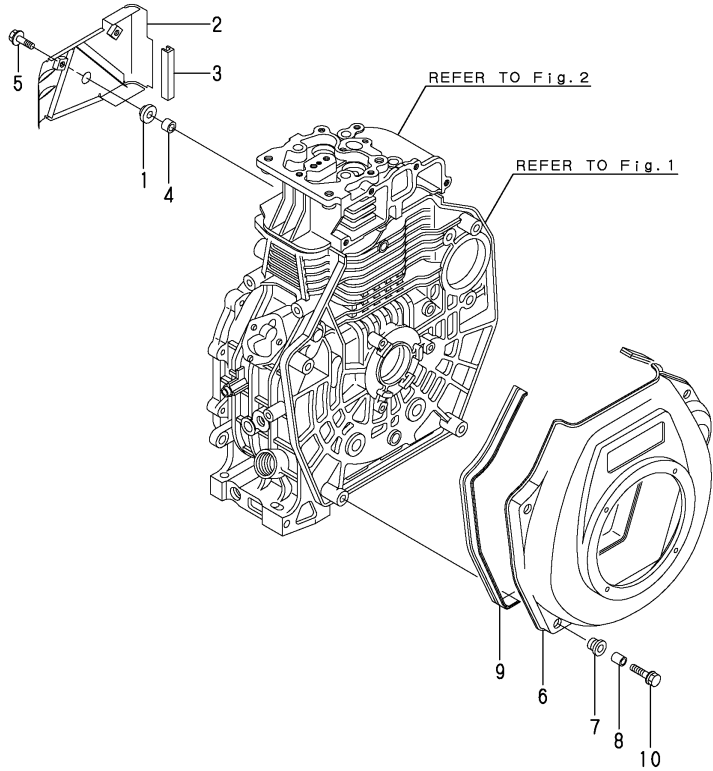
(E)=

(F)=



REF.	LEV.	PARTS NO.	DESCRIPTION	QTY						I	R
				(A)	(B)	(C)	(D)	(E)	(F)		
1	1	114250-32010	PUMP ASSY, LUB.OIL	1							
7	1	114299-32070	COVER, LUB. OIL PUMP	1							
8	1	114299-32570	O-RING, COVER	1							
9	1	22312-030160	PARALLEL PIN 3X16	1							
10	1	26106-060122	BOLT M 6X 12 PLATED	3							
11	1	114299-35110	FILTER CMP, LUB.OIL	1							
13	2	24341-000224	O-RING 1A S-22.4	1							
14	1	26106-060162	BOLT M 6X 16 PLATED	1							
15	1	114299-61190	WASHER, GOVERNOR	1							
16	1	114211-61500	LEVER ASSY, GOVERNOR	1							
25	2	22322-030200	TAPER PIN 3X20	1							
27	1	114770-61520	BEARING, NEEDLE	2							
28	1	114299-61600	SEAL, OIL	1							
29	1	114770-61610	WASHER, THRUST	1							
30	1	714210-61701	GOVERNOR ASSY	1							
31	2	114210-61290	WEIGHT ASSY, GOVERNOR	1							
36	1	114210-66550	BRACKET CMP, REGULATO	1							
37	2	114210-66070	HANDLE, REGULATOR	1							
38	2	183250-66070	SHAFT, HANDLE	1							
39	2	114210-66400	BRACKET, HANDLE	1							
40	2	114250-66440	BOLT, ADJUSTING	1							
41	2	104200-66820	SPRING	1							
42	2	104200-66831	PLATE, FRICTION	2							
43	2	104200-66850	WASHER (B)	1							
44	2	26696-100002	LOCK NUT M10	1							
45	2	26757-060002	NUT M 6	1							
46	1	26106-060142	BOLT M 6X 14 PLATED	1							
47	1	26106-060452	BOLT M 6X 45 PLATED	1							
48	1	114220-66010	SPRING, REGULATOR	1							
49	1	114299-66200	SPRING, RETURN	1							
50	1	114211-66600	LIMITER ASSY, FUEL	1							
55	1	26776-100002	LOCK NUT M10 PLATED	1							
56	1	114780-61090	TIN	2							
57	1	22451-060000	WIRE 0.6	2							

Fig.6. COOLING DEVICE



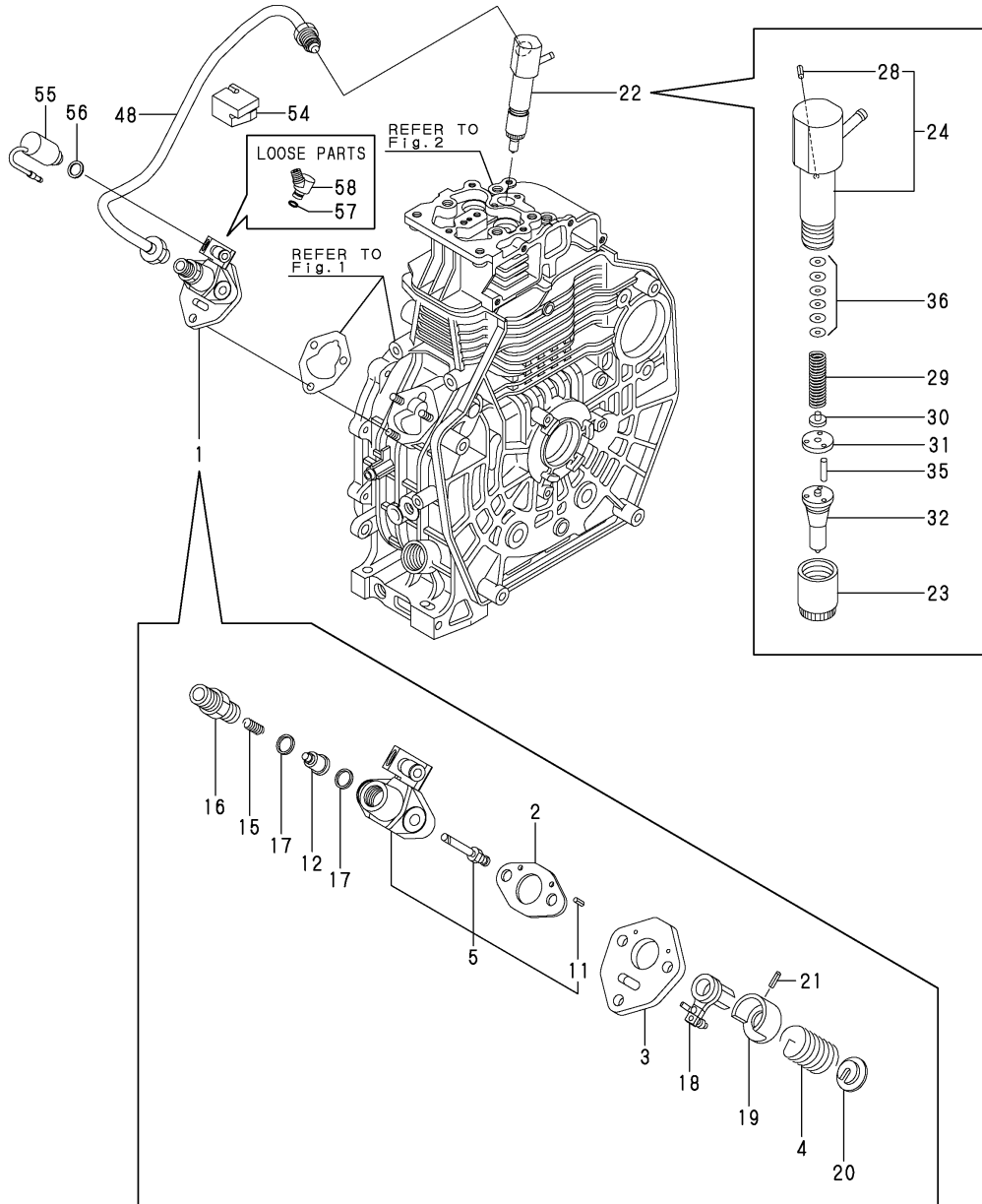
(A)=L70N5EN9F9HAMA
(B)=
(C)=

(D)=
(E)=
(F)=

REF.	LEV.	PARTS NO.	DESCRIPTION	QTY						I	R
				(A)	(B)	(C)	(D)	(E)	(F)		
1	1	114299-45220	GROMMET, TANK	1							
2	1	114210-45260	COVER B, SIDE (13)	1							
3	1	114399-45320	RUBBER, SEAL	1							
4	1	114399-45340	COLLAR, CYL.COVER	1							
5	1	26106-060202	BOLT M 6X 20 PLATED	1							
6	1	114210-45100	FAN CASE(SILVER)(17)	1							
7	1	114299-45301	RUBBER, CUSHION	4							
8	1	114299-45310	COLLAR, FAN CASE	4							
9	1	114299-45330	SEAL, FAN CASE	1							
10	1	114299-45350	BOLT, FAN CASE	4							

Fig.7. FUEL INJECTION PUMP & FUEL INJECTION VALVE

A FUEL TANK IS CUSTOMER ARRANGEMENTS.



(A)=L70N5EN9F9HAMA

(B)=

(C)=

(D)=

(E)=

(F)=

REF.	LEV.	PARTS NO.	DESCRIPTION	QTY						I	R
				(A)	(B)	(C)	(D)	(E)	(F)		
1	1	714239-51310	F.I.PUMP ASSY	1							
2	2	105546-51020	GASKET	1							
3	2	114250-51080	PLATE	1							
4	2	114250-51160	SPRING	1							
5	2	114239-51200	BODY ASSY, PUMP	1							
11	4	22351-020006	SPRING PIN 2X 6	2							
12	2	114650-51300	VALVE ASSY, DELIVERY	1							
15	2	105546-51330	SPRING, DELIV. VALVE	1							
16	2	114250-51340	HOLDER, F.I.P.DELIVE	1							
17	2	124550-51350	GASKET, DELIVERY	2							
18	2	114250-51600	LEVER ASSY, CONTROL	1							
19	2	114250-51640	SEAT (A), SPRING	1							
20	2	114250-51650	SEAT (B), SPRING	1							
21	2	22351-030008	SPRING PIN 3X 8	1							
22	1	714239-53200	FUEL INJECTOR	1							
23	2	114250-53080	NUT, NOZZLE CASE	1							
24	2	114339-53100	HOLDER ASSY, NOZZLE	1							
28	3	22351-025005	SPRING PIN 2.5AX 6	1							
29	2	114250-53120	SPRING, NOZZLE	1							
30	2	114250-53130	SEAT, NOZZLE SPRING	1							
31	2	114250-53140	PLATE, STOP	1							
32	2	114239-53200	NOZZLE ASSY	1							
35	2	114250-53210	PIN	2							
36	2	114250-53400	SHIM PACK	1							
48	1	114210-59800	PIPE, FUEL INJECTION	1							
54	1	114210-59850	SUPPORT, INJ. PIPE	1							
55	1	114110-76900	VALVE ASSY, F/O CUT	1							
56	1	114299-83020	GASKET, 10X1.2	1							
57	1	114250-51190	O-RING	1							
58	1	114299-59900	INLET(FUEL	1							

Fig.8. STARTING MOTOR

(A)=L70N5EN9F9HAMA

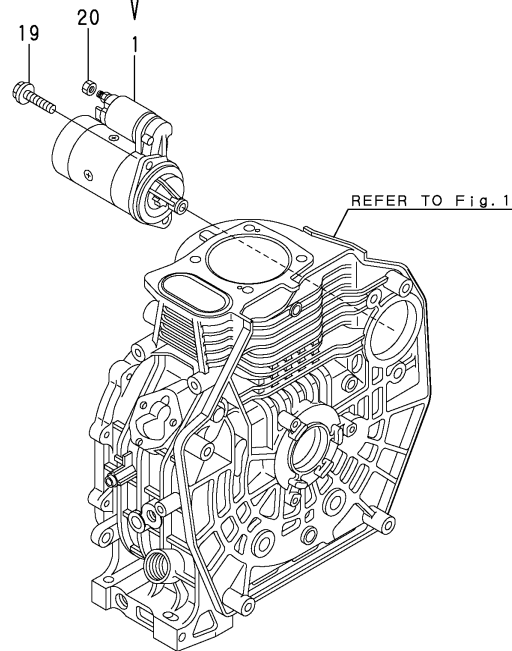
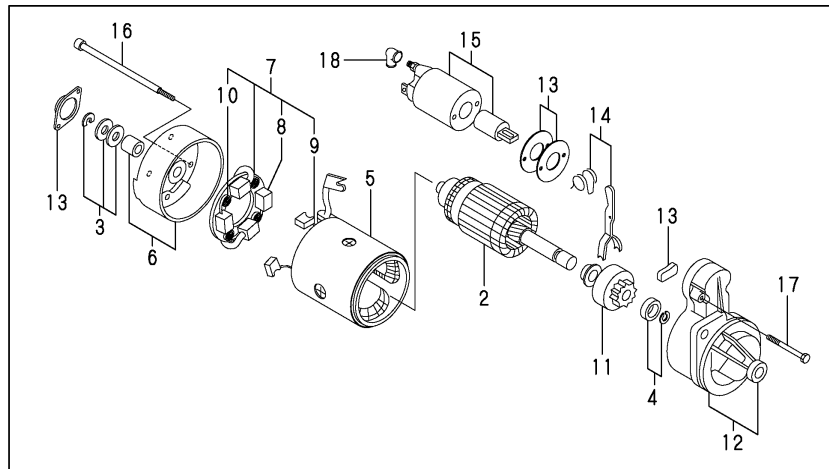
(B)=

(C)=

(D)=

(E)=

(F)=



REF.	LEV.	PARTS NO.	DESCRIPTION	QTY						I	R
				(A)	(B)	(C)	(D)	(E)	(F)		
1	1	114362-77011	STARTER(HITACHI 12V	1							
2	2	114381-77110	ARMATURE	1							
3	2	X2114811000	WASHER KIT, THRUST	1							
4	2	X2114715500	STOPPER SET, PINION	1							
5	2	114381-77130	COIL ASSY, FIELD	1							
6	2	114381-77140	COVER, REAR	1							
7	2	114371-77160	HOLDER ASSY, BRUSH	1							
8	3	114371-79040	BRUSH (-)	2							
9	3	114371-79050	BRUSH (+)	1							
10	3	114371-79060	SPRING, BRUSH	4							
11	2	X211485016	PINION ASSY	1							
12	2	114381-77151	HOUSING ASSY, GEAR	1							
13	2	114371-77170	COVER KIT, DUST	1							
14	2	114371-77180	SHIFT LEVER KIT	1							
15	2	124298-77020	SWITCH, MAGNET	1							
16	2	124195-77770	THROUGH BOLT	2							
17	2	114371-79070	BOLT M 6X 37	2							
18	2	X2114274200	COVER, TERMINAL	1							
19	1	26106-100302	BOLT M10X 30 PLATED	2							
20	1	26716-080002	NUT M 8	1							

Fig.9. TOOL, LABEL & GASKET SET

(A)=L70N5EN9F9HAMA

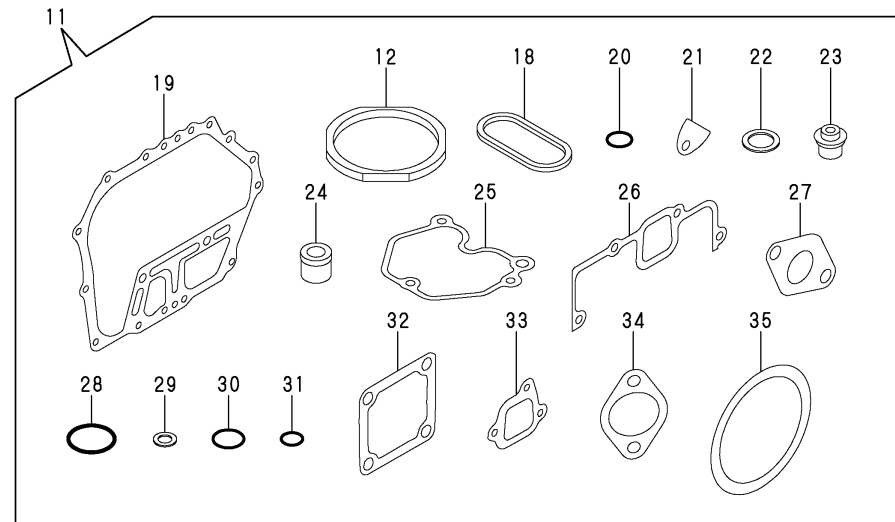
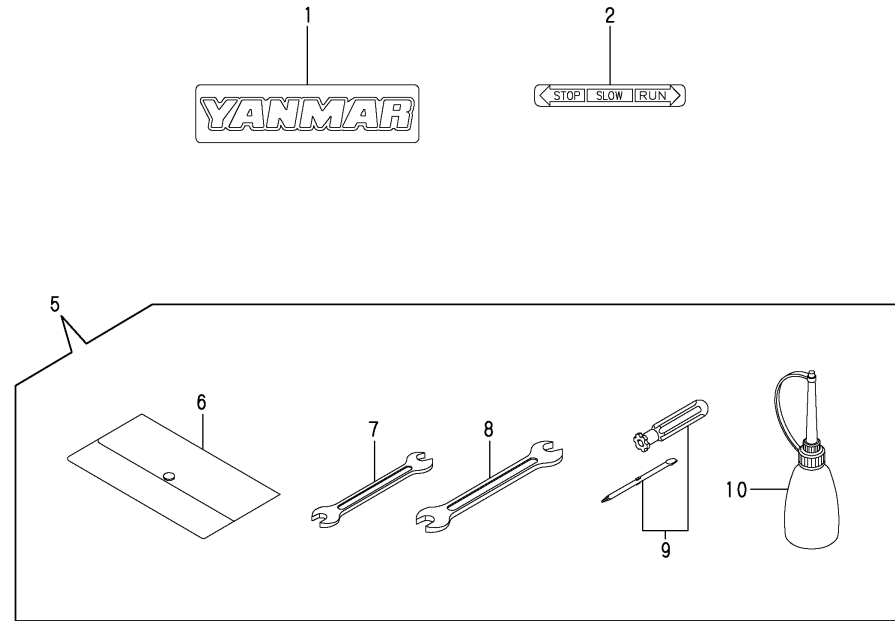
(B)=

(C)=

(D)=

(E)=

(F)=



REF.	LEV.	PARTS NO.	DESCRIPTION	Q'TY						I	R
				(A)	(B)	(C)	(D)	(E)	(F)		
1	1	114299-07110	LABEL, YANMAR	1							
2	1	183250-07230	LABEL, OPERATION	1							
5	1	114299-92590	TOOL ASSY	1							
6	2	114299-92600	TOOL BAG	1							
7	2	114299-92710	SPANNA	1							
8	2	114299-92720	SPANNA	1							
9	2	114299-92730	DRIVER	1							
10	2	114299-92740	FITTING, FUEL	1							
11	1	114220-92600	GASKET SET(NON-ASB.)	1							1
12	2	114395-01330	GASKET ASSY,CYL.HEAD	1							
18	2	114399-01380	O-RING	1							
19	2	114399-01410	GASKET, CRANK CASE	1							
20	2	114299-01950	O-RING	2							
21	2	114250-01841	GASKET	1							
22	2	22190-160002	SEAL WASHER 16S	2							
23	2	114350-11340	SEAL, VALVE STEM	2							
24	2	114771-11461	GASKET, NOZZLE	1							
25	2	114210-11310	GASKET, BONNET	1							
26	2	114210-12210	GASKET, AIR CLEANER	1							
27	2	114299-13200	GASKET, MUFFLER	1							
28	2	114299-32570	O-RING, COVER	1							
29	2	23414-080000	GASKET 8, ROUND	1							
30	2	24341-000224	O-RING 1A S-22.4	1							
31	2	24341-000150	O-RING 1A S-15.0	1							
32	2	129100-77510	GASKET, AIR HEATER	3							
33	2	114299-12210	GASKET, AIR CLEANER	2							
34	2	114299-12920	GASKET, AIR CLEANER	1							
35	2	114399-21980	GASKET	1							

Part Number Index

All parts are stipulated in the order of part numbers.

(Depending on the area in which the part is used.)

This index will display the location of the part according to each part number.

PARTS No. INDEX

PARTS No.	Fig.	Ref.No.
104200-66820	5	41
104200-66831	5	42
104200-66850	5	43
105010-11490	2	28
105546-51020	7	2
105546-51330	7	15
114110-76900	7	55
114210-01020	1	1
114210-01200	2	1
114210-01210	2	2
114210-01450	1	27
114210-03580	2	38
114210-11100	2	8
114210-11110	2	9
114210-11120	2	10
114210-11180	2	11
114210-11250	2	14
114210-11260	2	15
114210-11280	2	16
114210-11310	2	35
	9	25
114210-11650	2	17
114210-11660	2	21
114210-11901	2	30
114210-11930	2	12
114210-11960	2	36
114210-12050	3	1
114210-12210	3	2
	9	26
114210-14200	4	6
114210-14300	4	7
114210-14400	4	12
114210-23600	4	42
114210-23610	4	63
114210-23620	4	65
114210-45100	6	6
114210-45260	6	2
114210-59800	7	48
114210-59850	7	54
114210-61290	5	31
114210-66070	5	37
114210-66400	5	39
114210-66550	5	36
114211-61500	5	16
114211-66600	5	50
114220-11020	2	3
114220-66010	5	48
114220-92600	9	11
114239-51200	7	5
114239-53200	7	32

PARTS No.	Fig.	Ref.No.
114240-11450	2	26
114240-11550	2	27
114250-01841	1	20
	9	21
114250-32010	5	1
114250-51080	7	3
114250-51160	7	4
114250-51190	7	57
114250-51340	7	16
114250-51600	7	18
114250-51640	7	19
114250-51650	7	20
114250-53080	7	23
114250-53120	7	29
114250-53130	7	30
114250-53140	7	31
114250-53210	7	35
114250-53400	7	36
114250-66440	5	40
114299-01600	1	7
114299-01690	1	34
114299-01800	1	8
114299-01830	1	19
114299-01950	1	37
	9	20
114299-02030	1	39
114299-03640	2	41
114299-07110	9	1
114299-11240	2	19
		23
114299-11600	2	29
114299-12210	3	3
	9	33
114299-12300	3	4
114299-12920	9	34
114299-13200	3	9
	9	27
114299-21220	4	21
114299-21550	4	22
114299-32070	5	7
114299-32570	5	8
	9	28
114299-35110	5	11
114299-35150	1	32
114299-45220	6	1
114299-45301	6	7
114299-45310	6	8
114299-45330	6	9
114299-45350	6	10
114299-59900	7	58

PARTS No.	Fig.	Ref.No.
114299-61190	5	15
114299-61600	5	28
114299-66200	5	49
114299-83020	7	56
114299-92590	9	5
114299-92600	9	6
114299-92710	9	7
114299-92720	9	8
114299-92730	9	9
114299-92740	9	10
114339-53100	7	24
114350-02100	1	30
114350-02113	1	40
114350-02200	1	45
114350-02210	1	46
114350-11340	2	25
	9	23
114362-77011	8	1
114371-77160	8	7
114371-77170	8	13
114371-77180	8	14
114371-79040	8	8
114371-79050	8	9
114371-79060	8	10
114371-79070	8	17
114380-23100	4	44
114381-77110	8	2
114381-77130	8	5
114381-77140	8	6
114381-77151	8	12
114395-01330	9	12
114395-01340	1	5
114399-01380	1	6
	9	18
114399-01410	1	26
	9	19
114399-21590	4	23
114399-21600	4	26
114399-21980	9	35
114399-22300	4	36
114399-45320	6	3
114399-45340	6	4
114650-51300	7	12
114699-01760	1	35
114770-61520	5	27
114770-61610	5	29
114771-11461	9	24
114780-61090	5	56
118200-23200	4	41
124195-77770	8	16

PARTS No.	Fig.	Ref.No.
124298-77020	8	15
124550-51350	7	17
129100-77510	9	32
160110-02220	1	41
		42
183250-07230	9	2
183250-39450	1	47
183250-66070	5	38
714210-21720	4	13
714210-23701	4	38
714210-28510	4	45
714210-61701	5	30
714220-14580	4	1
714220-22580	4	57
714220-22620	4	51
714220-22720	4	28
714239-51310	7	1
714239-53200	7	22
714870-22502	4	30
714870-22542	4	53
714870-22552	4	59
X2114274200	8	18
X2114715500	8	4
X2114811000	8	3
X211485016	8	11



YANMAR CO.,LTD.



PARTS CATALOG

DIESEL ENGINE

L70N5EJ1C1CAS1

Published

Nov.,2008

OCR10-G74400

Introduction

1. This parts catalog is a first edition of the L70N5EJ1G1CAS1 Diesel engine.

	Parts catalog No.	Date of issue	Remarks
First edition	OCR10-G74400	Nov. , 2008	

2. This parts catalog does not contain the technical data needed for maintenance service.

3. The illustrations used in this parts catalog have been simplified for clarity.

4. The contents of this parts catalog are subject to change without notice.

5. Be sure to use only Yanmar genuine parts for repairs. If imitation parts are used, it may cause engine defects.

Directions for the Parts Catalog.

- 1.The parts stipulated in this Parts Catalog are not necessarily standard equipped parts.
- 2.Parts may change without prior notice.
- 3.The following is an example of the Parts Catalog format.

REF.	LEV.	PARTSNo.	DESCRIPTION	QTY						I	R
				(A)	(B)	(C)	(D)	(E)	(F)		
1		729595-51390	FUEL INJECTION PUMP	1	1	1	1	1			
1-1	1	729595-51391	FUEL INJECTION PUMP	1	1	1	1	1			N
		(A=E00185) (B=E00200)									
3	2	26022-060162	SCREW M 6X16	9	9	9	9	9			
3-1	2	26022-060162	SCREW M 6X16	4	4	4	4	4			K
		(A=E00156) (B=E00156) (C=E00156) (D=E00156) (E=E00156)									
4	2	129470-51040	GAMSHIFT	9	9	9	9	9			
5	2	122710-51050	BEARING. ROLLER	9	9	9	9	9			
6	2	129470-51060	RETAINER	9	9	9	9	9			

Remarks	
(1)	BOOST COMPEMSATOR TYPE. OPTIONAL PART. TO E/#00155 (4JH-DT, 4JH-DTZ)

①Ref. No.

The Ref. No. listed may not be in accordance with the illustration Ref. No.

(Ex.) Illustration No. List Ref No.

1 1 (Before change) → 1-1 (After change)

For interchangeable symbols N, R and K, illustrations for new parts may be abbreviated.

②Lev. (Level)

Level indication

The numbers below indicate the level of relativity towards the main part.

1 ---- Main parts (Assembly parts)

2 ---- Sub component included in " 1 ".

3 ---- Sub component included in " 2 ".

Note) Parts that are not for sale are partially illustrated but not listed.

③Change Mark

The "I" indicates parts that were newly changed.

④Interchangeability Mark

When a part change takes place, one of the following interchangeability symbols is indicated beside the part.

Symbol	Interchangeability	Contents note
N	Old $\begin{matrix} \leftarrow \text{Yes} \\ \text{No} \rightarrow \end{matrix}$ New	New Part is interchangeable for Old Part but Old Part is not interchangeable for New Part.
Q	Old $\begin{matrix} \text{No} \leftarrow \\ \text{Yes} \rightarrow \end{matrix}$ New	New Part is not interchangeable for Old Part but Old Part is interchangeable for New Part.
R	Old $\begin{matrix} \leftarrow \text{Yes} \\ \text{Yes} \rightarrow \end{matrix}$ New	New/ Old Parts are both interchangeable.
S	Old $\begin{matrix} \text{No} \leftarrow \\ \text{No} \rightarrow \end{matrix}$ New	New/ Old Parts are both not interchangeable.
W		Part discontinued.
Z		Part newly added.
F		Not interchangeable by a single part but interchangeable together with related parts.
K		Changes only for used parts quantities.

⑤Effective Machine No.

When a part changes, the effective Machine No. will be indicated in the (A)-(F) column.

Product Symbol	Product No.	Product Symbol	Product No.
C	Clutch No. Compressor No.	F	Machine No. (Agricultural Equip.)
D	Drive No.	M	Machine No.
E	Engine No.	Note 1)	Date

Note 1) A date may follow the symbol. (Ex.) 1996.01

Note 2) " XXX " are for parts that could not be predicted or for engine models that could not be identified.

Note 3) (A=E/#00185) is the E/# (Engine Serial Number) for the column (A) model (in this case 4JH-DT) after the parts design change.

⑥Remarks Mark

Figures or alphabets (symbols) are entered in the remarks column.

The comments (remarks) on parts that are indicated at the bottom of the illustration are the same symbols as those stated above.

CONTENTS

MODEL : L70N5EJ1C1CAS1

PC NO : 0CR10-G74400

Fig.No. GROUP NAME

L70N5EJ1C1CAS1

1. CYLINDER BLOCK
2. CYLINDER HEAD & BONNET
3. AIR CLEANER & MUFFLER
4. CRANKSHAFT, PISTON & CAMSHAFT
5. LUB.OIL PUMP & GOVERNOR
6. COOLING & STARTING DEVICE
7. F.I.PUMP & F.I.VALVE
8. FUEL TANK & FUEL PIPE
9. STARTING MOTOR & DYNAMO
10. TOOL, LABEL & GASKET SET

Fig.No. GROUP NAME

Fig.1. CYLINDER BLOCK

(A)=L70N5EJ1C1CAS1

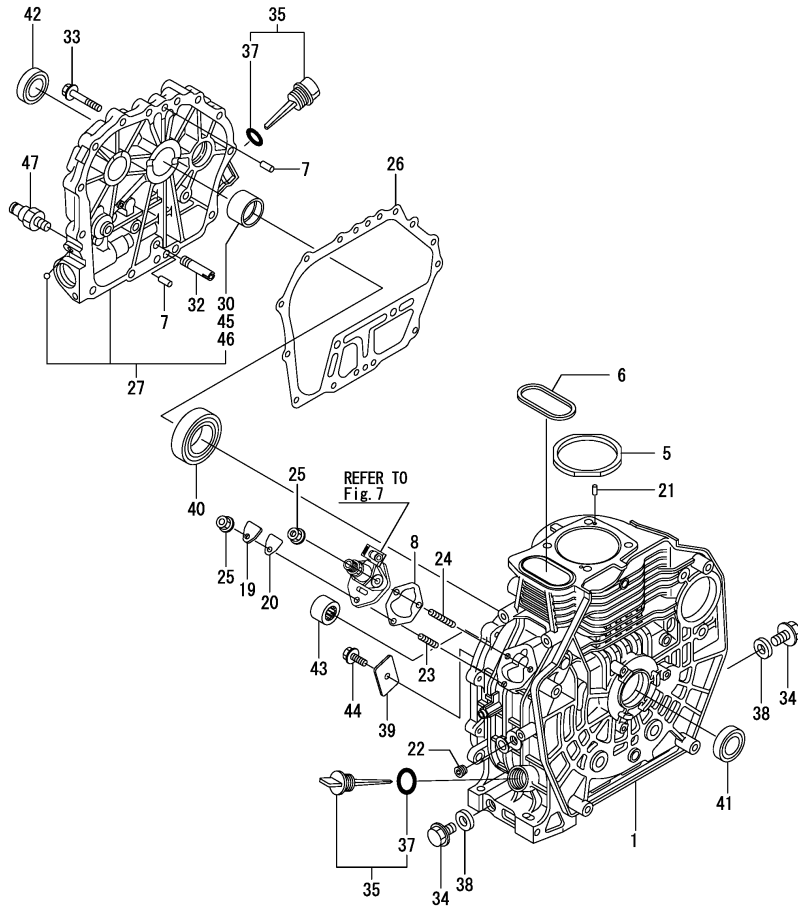
(B)=

(C)=

(D)=

(E)=

(F)=



REF.	LEV.	PARTS NO.	DESCRIPTION	QTY						I	R
				(A)	(B)	(C)	(D)	(E)	(F)		
1	1	114210-01020	BLOCK ASSY, CYLINDER	1							
5	1	114395-01340	GASKET, HEAD 0.5	1							
6	1	114399-01380	O-RING	1							
7	1	114299-01600	PIN, 8X12	2							
8	1	114299-01800	SHIM SET	1							
19	1	114299-01830	COVER,(FO PUMP	1							
20	1	114250-01841	GASKET	1							
21	1	22312-040080	PIN 4X8,STRAIGHT	2							
22	1	23875-020000	PLUG PT1/4,STEEL	1							
23	1	26226-060182	STUD M 6X 18 PLATED	1							
24	1	26226-060222	STUD M 6X 22 PLATED	2							
25	1	26366-060002	NUT M 6	3							
26	1	114399-01410	GASKET, CRANK CASE	1							
27	1	114210-01450	COVER(E-D,CRANK CASE	1							
30	2	114350-02100	BEARING, MAIN	1							1
32	1	114299-35150	PIPE, L.O. INLET	1							
33	1	26106-080352	BOLT M 8X 35 PLATED	15							
34	1	114299-01690	PLUG M16	2							
35	1	114699-01760	CAP, W/LUB.OIL GAUGE	2							
37	2	114299-01950	O-RING	2							
38	1	22190-160002	SEAL WASHER 16S	2							
39	1	114299-02030	RETAINER	1							
40	1	114350-02113	BALL BEARING	1							
41	1	160110-02220	SEAL, OIL	1							
42	1	160110-02220	SEAL, OIL	1							
43	1	24162-152116	NEEDLE BEARING	1							
44	1	26106-080122	BOLT M 8X 12 PLATED	1							
45	1	114350-02200	MAIN BEARING US=0.25	1							2
46	1	114350-02210	MAIN BEARING US=0.50	1							3
47	1	183250-39450	SENDER, OIL PRESSURE	1							

Remarks

- (1)REPAIR PART.
- (2)UNDER SIZED(U.S.=0.25)PART.
- (3)UNDER SIZED(U.S.=0.50)PART.

Fig.2. CYLINDER HEAD & BONNET

(A)=L70N5EJ1C1CAS1

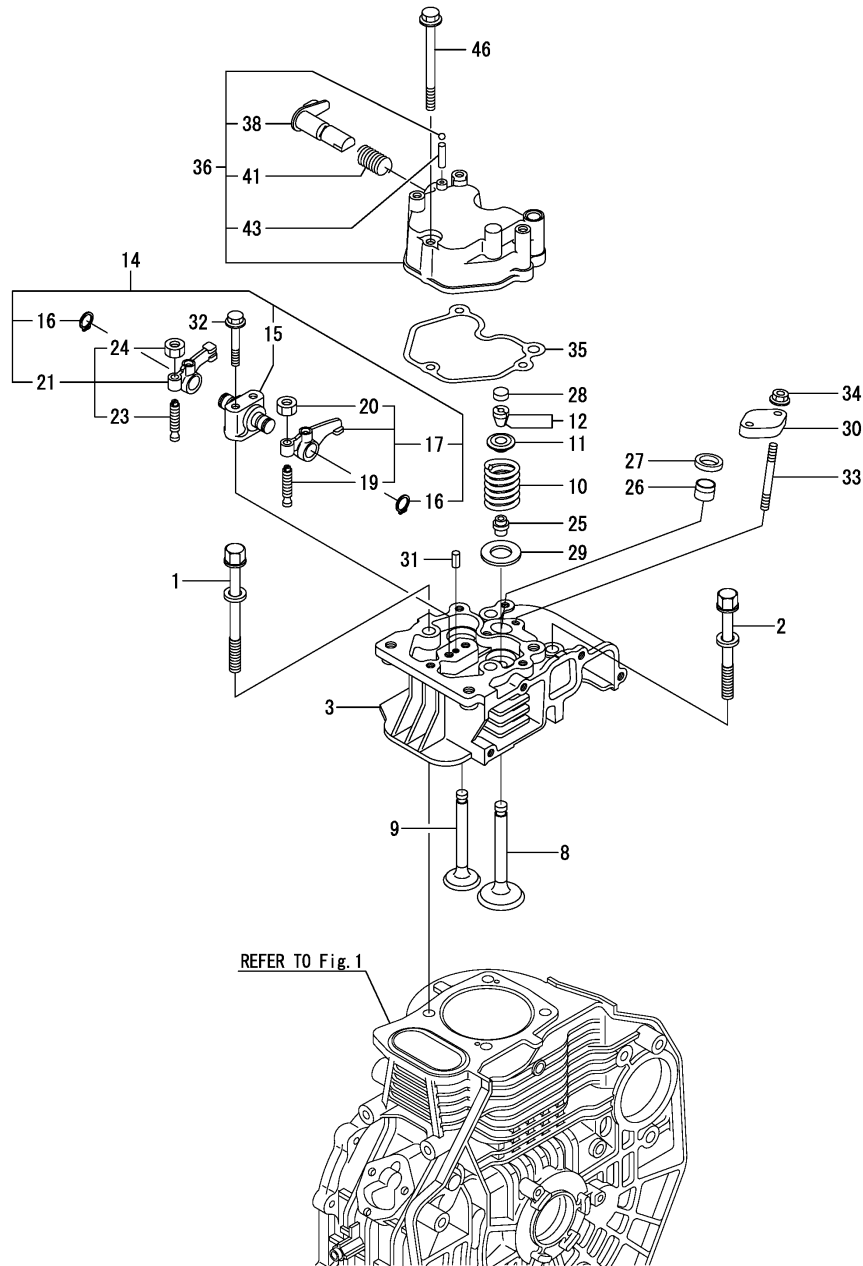
(B)=

(C)=

(D)=

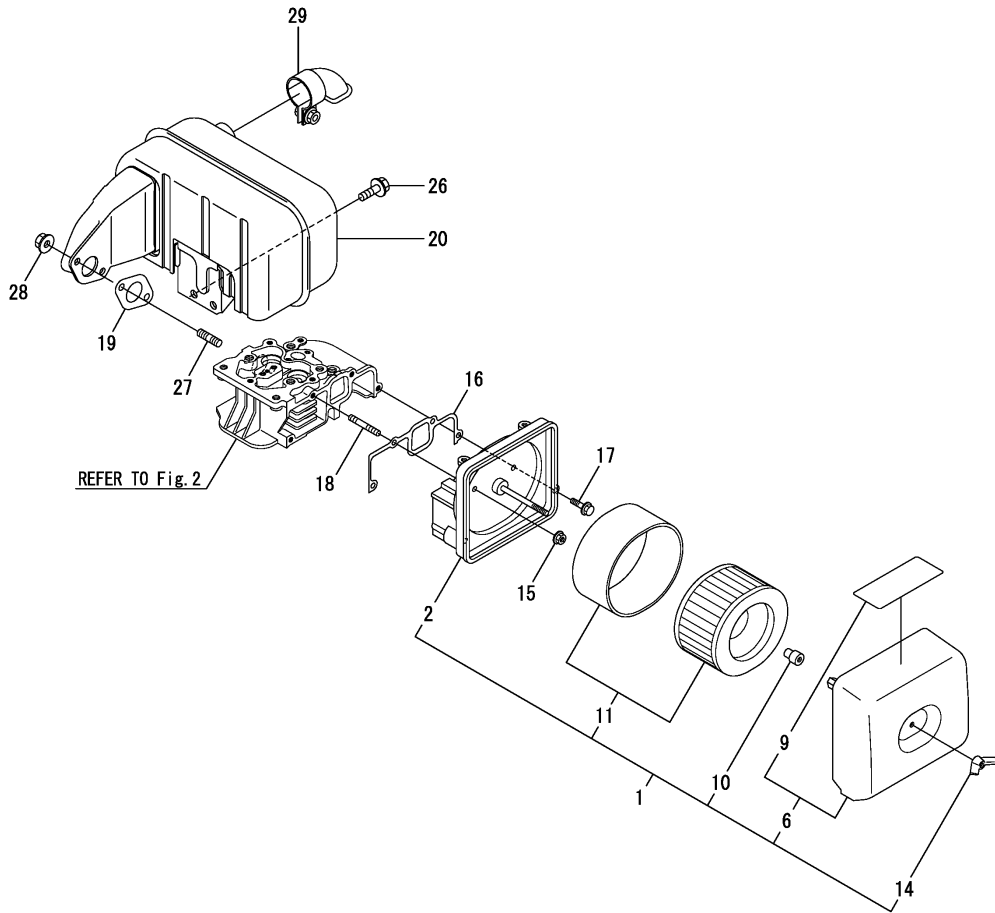
(E)=

(F)=



REF.	LEV.	PARTS NO.	DESCRIPTION	QTY						I	R
				(A)	(B)	(C)	(D)	(E)	(F)		
1	1	114210-01200	BOLT, CYL.HEAD A	2							
2	1	114210-01210	BOLT, CYL.HEAD B	2							
3	1	114220-11020	HEAD ASSY, CYLINDER	1							
8	1	114210-11100	VALVE, INTAKE	1							
9	1	114210-11110	VALVE, EXHAUST	1							
10	1	114210-11120	SPRING, VALVE	2							
11	1	114210-11180	RETAINER, SPRING	2							
12	1	114210-11930	COTTER ASSY	2							
14	1	114210-11250	SUPPORT ASSY, ROCKER	1							
15	2	114210-11260	SUPPORT, ROCKER ARM	1							
16	2	114210-11280	C TYPE RETAINING RIN	2							
17	2	114210-11650	ARM ASSY, INTAKE	1							
19	3	114299-11240	SCREW, ADJUSTING	1							
20	3	26856-060002	LOCK NUT 6	1							
21	2	114210-11660	ARM ASSY, EXHAUST	1							
23	3	114299-11240	SCREW, ADJUSTING	1							
24	3	26856-060002	LOCK NUT 6	1							
25	1	114350-11340	SEAL, VALVE STEM	2							
26	1	114240-11450	PROTECTOR, NOZZLE	1							
27	1	114240-11550	SEAT, NOZZLE	1							
28	1	105010-11490	CAP, VALVE	2							
29	1	114299-11600	WASHER, VALVE SPRING	2							
30	1	114210-11901	RETAINER, NOZZLE	1							
31	1	22351-040008	SPRING PIN 4X 8	1							
32	1	26106-060402	BOLT M 6X 40 PLATED	2							
33	1	26226-060552	STUD M6X 55 PLATED	2							
34	1	26366-060002	NUT M 6	2							
35	1	114210-11310	GASKET, BONNET	1							
36	1	114210-11950	BONNET ASSY, HEAD	1							
38	2	114210-03590	SHAFT ASSY, DECOMP.	1							
41	2	114299-03640	SPRING, DECOMP.	1							
43	2	22312-030160	PARALLEL PIN 3X16	1							
46	1	26106-060552	BOLT M 6X 55 PLATED	3							

Fig.3. AIR CLEANER & MUFFLER



OCR10-G74400 3. AIR CLEANER & MUFFLER

(A)=L70N5EJ1C1CAS1

(B)=

(C)=

(D)=

(E)=

(F)=

REF.	LEV.	PARTS NO.	DESCRIPTION	Q'TY						I	R
				(A)	(B)	(C)	(D)	(E)	(F)		
1	1	114210-12511	CLEANER ASSY, AIR	1							
2	2	114210-12010	BODY ASSY, AIR CLNR	1							
6	2	114210-12500	COVER ASSY, AIR CLNR	1							
9	3	114210-12610	LABEL, AIR CLEANER	1							
10	2	114210-12560	NUT, WING	1							
11	2	114210-12590	ELEMENT ASSY	1							
14	2	114210-12600	LOCKING KNOB	1							
15	1	114299-12300	U-NUT	3							
16	1	114210-12210	GASKET, AIR CLEANER	1							
17	1	26106-060202	BOLT M 6X 20 PLATED	1							
18	1	26226-060302	STUD M 6X 30	3							
19	1	114299-13200	GASKET, MUFFLER	1							
20	1	114399-13520	MUFFLER ASSY	1							
26	1	26106-060142	BOLT M 6X 14 PLATED	2							
27	1	26216-080182	STUD M 8X 18 PLATED	2							
28	1	26366-080002	NUT M 8	2							
29	1	114299-13800	DEFLECTOR, (EXH)	1							

Fig.4. CRANKSHAFT, PISTON & CAMSHAFT

OCR10-G74400 4. CRANKSHAFT, PISTON & CAMSHAFT

(A)=L70N5EJ1C1CAS1

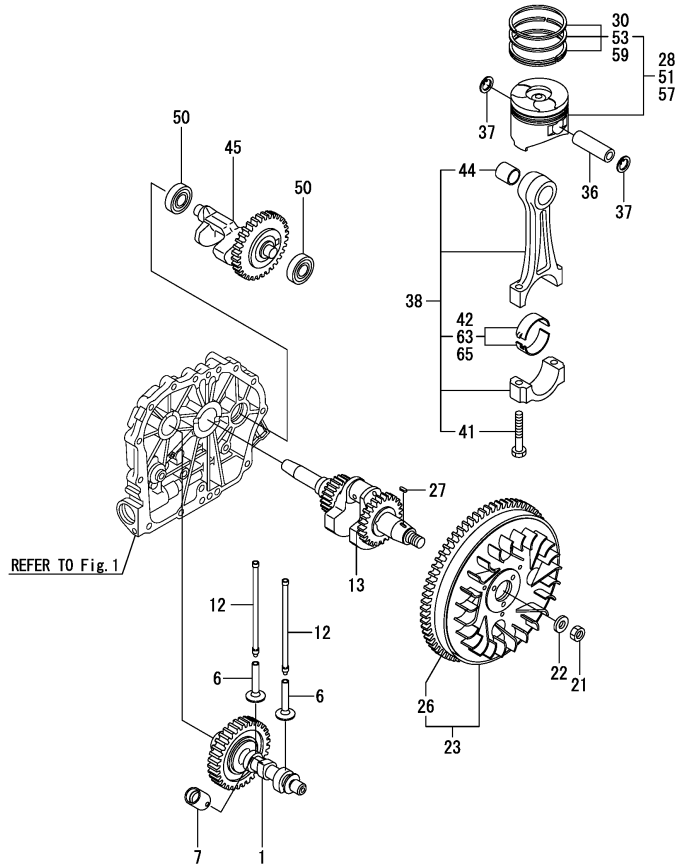
(B)=

(C)=

(D)=

(E)=

(F)=



REF.	LEV.	PARTS NO.	DESCRIPTION	QTY						I	R
				(A)	(B)	(C)	(D)	(E)	(F)		
1	1	714220-14580	CAMSHAFT ASSY	1							
6	1	114210-14200	TAPPET	2							
7	1	114210-14300	TAPPET ASSY, ROLLER	1							
12	1	114210-14400	ROD ASSY, PUSH	2							
13	1	714210-21720	CRANKSHAFT(E-DG ASSY	1							
21	1	114299-21220	NUT	1							
22	1	114299-21550	WASHER, FLYWHEEL	1							
23	1	114399-21590	FLYWHEEL ASSY, DE	1							
26	2	114399-21600	GEAR, RING D	1							
27	1	22512-040120	KEY 4X 12	1							
28	1	714220-22720	PISTON W/RINGS (D	1							
30	2	714870-22502	RING SET, PISTON	1							
36	1	114399-22300	PISTON PIN	1							
37	1	22252-000210	CIRCLIP 21	2							
38	1	714210-23701	ROD ASSY, CONNECTING	1							
41	2	118200-23200	BOLT,ROD	2							
42	2	114210-23600	BEARING, CRANK PIN	1							
44	2	114380-23100	BUSH, PISTON PIN	1							
45	1	714210-28510	SHAFT ASSY, BALANCER	1							
50	1	24101-062030	BALL BEARING	2							
51	1	714220-22620	PISTON W/RING OS=.25	1							1
53	2	714870-22542	RING SET O.S.=0.25	1							1
57	1	714220-22580	PISTON W/RING OS=0.5	1							2
59	2	714870-22552	RING SET O.S.=0.50	1							2
63	1	114210-23610	BEARING,PIN(U.S.=0.25	1							3
65	1	114210-23620	BEARING,PIN(U.S.=0.50	1							4

Remarks

- (1)OVER SIZED(O.S.=0.25)PART.
- (2)OVER SIZED(O.S.=0.50)PART.
- (3)UNDER SIZED(U.S.=0.25)PART.
- (4)UNDER SIZED(U.S.=0.50)PART.

Fig.5. LUB.OIL PUMP & GOVERNOR

(A)=L70N5EJ1C1CAS1

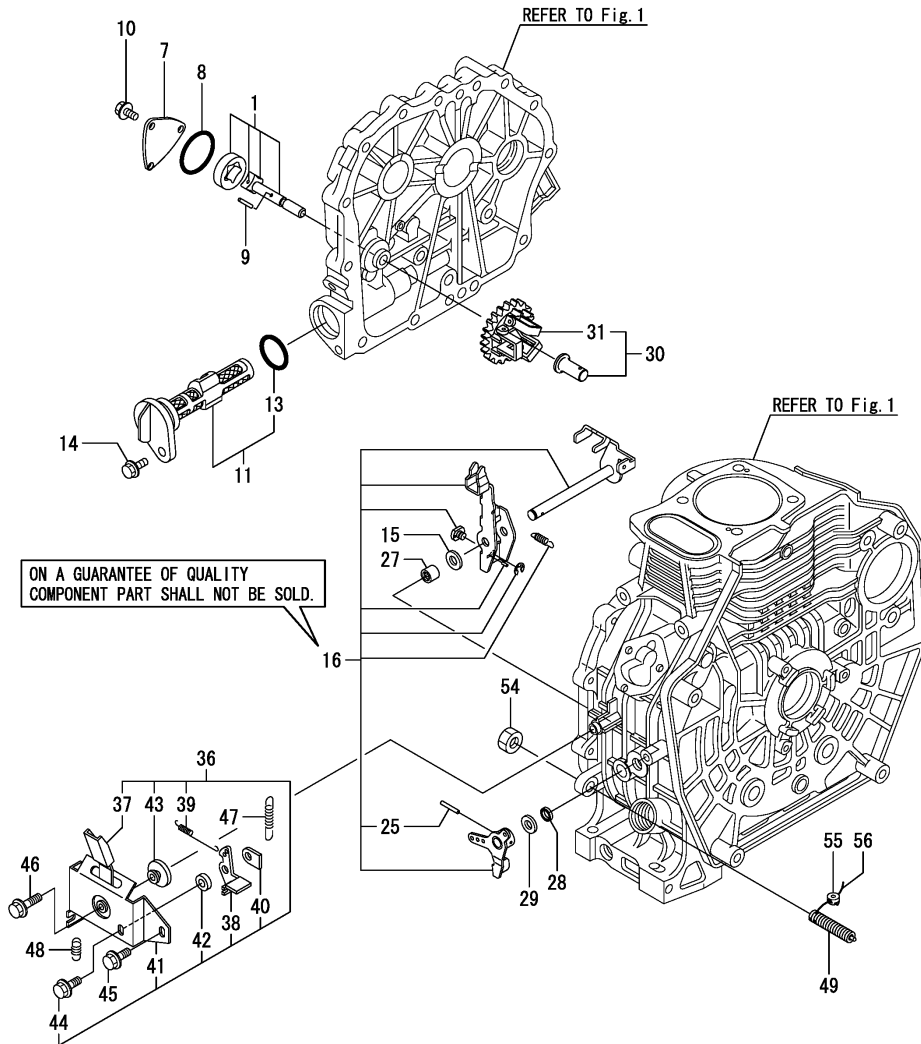
(B)=

(C)=

(D)=

(E)=

(F)=



REF.	LEV.	PARTS NO.	DESCRIPTION	QTY						I	R
				(A)	(B)	(C)	(D)	(E)	(F)		
1	1	114250-32010	PUMP ASSY, LUB.OIL	1							
7	1	114299-32070	COVER, LUB. OIL PUMP	1							
8	1	114299-32570	O-RING, COVER	1							
9	1	22312-030160	PARALLEL PIN 3X16	1							
10	1	26106-060122	BOLT M 6X 12 PLATED	3							
11	1	114299-35110	FILTER CMP, LUB.OIL	1							
13	2	24341-000224	O-RING 1A S-22.4	1							
14	1	26106-060162	BOLT M 6X 16 PLATED	1							
15	1	114299-61190	WASHER, GOVERNOR	1							
16	1	114211-61500	LEVER ASSY, GOVERNOR	1							
25	2	22322-030200	TAPER PIN 3X20	1							
27	1	114770-61520	BEARING, NEEDLE	2							
28	1	114299-61600	SEAL, OIL	1							
29	1	114770-61610	WASHER, THRUST	1							
30	1	714210-61701	GOVERNOR ASSY	1							
31	2	114210-61290	WEIGHT ASSY, GOVERNOR	1							
36	1	114210-66510	BRACKET, REGULATOR	1							
37	2	114210-66300	HANDLE	1							
38	2	183250-66321	LEVER	1							
39	2	183250-66331	SPRING, LEVER	1							
40	2	183250-66341	NUT	1							
41	2	114210-66350	BRACKET	1							
42	2	183250-66361	COLLAR	1							
43	2	183250-66371	COLLAR	1							
44	2	26106-060162	BOLT M 6X 16 PLATED	1							
45	1	26106-060142	BOLT M 6X 14 PLATED	1							
46	1	26106-060202	BOLT M 6X 20 PLATED	1							
47	1	114220-66020	SPRING, REGULATOR	1							
48	1	114299-66200	SPRING, RETURN	1							
49	1	114211-66600	LIMITER ASSY, FUEL	1							
54	1	26776-100002	LOCK NUT M10 PLATED	1							
55	1	114780-61090	TIN	1							
56	1	22451-060000	WIRE 0.6	1							

Fig.6. COOLING & STARTING DEVICE

(A)=L70N5EJ1C1CAS1

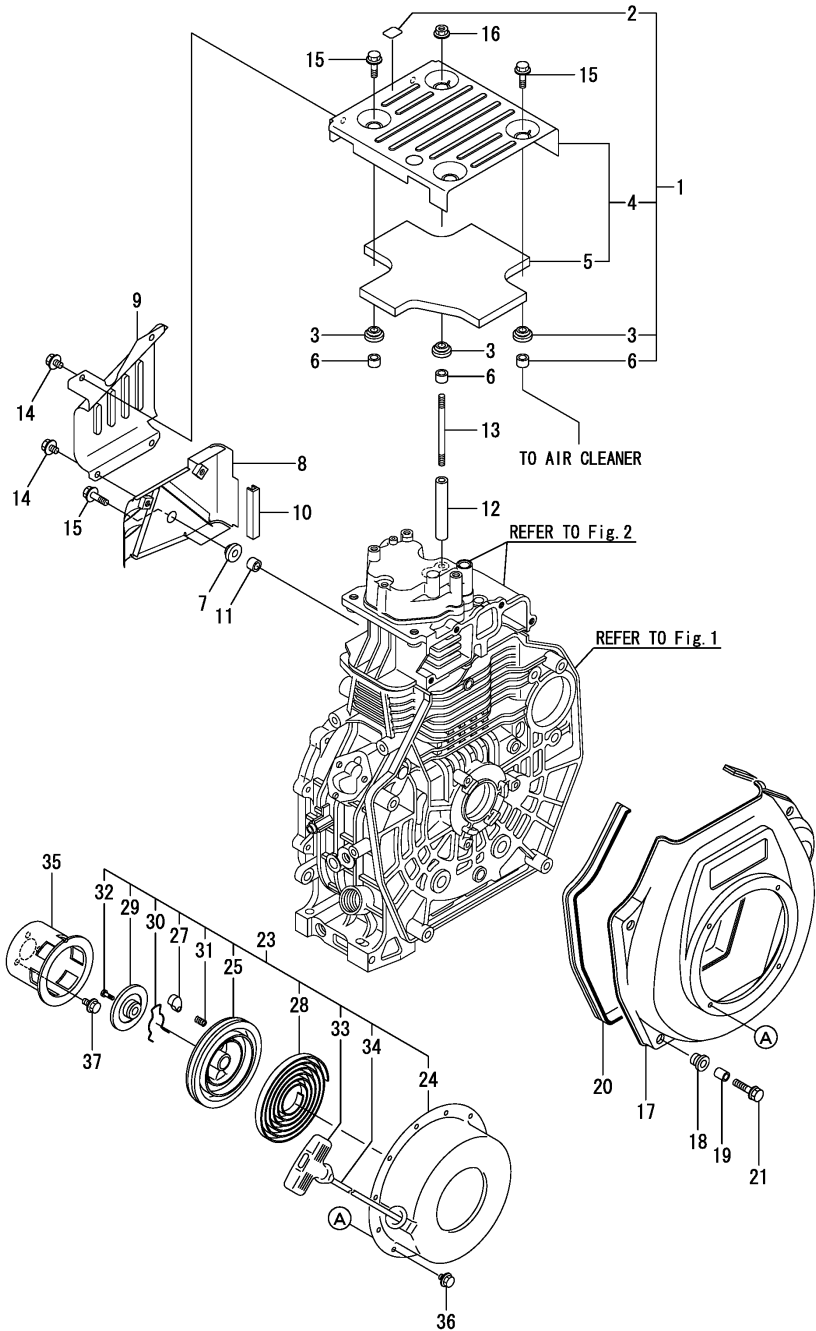
(B)=

(C)=

(D)=

(E)=

(F)=



REF.	LEV.	PARTS NO.	DESCRIPTION	QTY						I	R
				(A)	(B)	(C)	(D)	(E)	(F)		
1	1	714210-45100	TOP COVER, ASSY	1							
2	2	114210-07200	LABEL, DECOMPRESSION	1							
3	2	114299-45220	GROMMET, TANK	4							
4	2	114210-45300	COVER, TOP(BLACK)(13)	1							
5	3	114210-45310	DAMPER	1							
6	2	114399-45340	COLLAR, CYL COVER	4							
7	1	114299-45220	GROMMET, TANK	1							
8	1	114210-45260	COVER B, SIDE (13)	1							
9	1	114210-45270	COVER A, SIDE (13)	1							
10	1	114399-45320	RUBBER, SEAL	1							
11	1	114399-45340	COLLAR, CYL COVER	1							
12	1	114210-45350	SPACER, TOP COVER	1							
13	1	114210-45360	STUD BOLT, TOP COVER	1							
14	1	26106-060082	BOLT M 6X 8 PLATED	4							
15	1	26106-060202	BOLT M 6X 20 PLATED	4							
16	1	26366-060002	NUT M 6	1							
17	1	114210-45100-1	FAN CASE (GRAY)(2K)	1							
18	1	114299-45301	RUBBER, CUSHION	4							
19	1	114299-45310	COLLAR, FAN CASE	4							
20	1	114299-45330	SEAL, FAN CASE	1							
21	1	114299-45350	BOLT, FAN CASE	4							
23	1	114399-76251	RECOIL STARTER(D)ASY	1							
24	2	114399-76510	CASE, STARTER	1							
25	2	114399-76521	REEL, RECOIL	1							
27	2	114399-76531	RATCHET	1							
28	2	114399-76540	SPRING, SPIRAL	1							
29	2	114399-76550	COVER, RATCHET	1							
30	2	114399-76560	SPRING	1							
31	2	114399-76570	SPRING, RETURN	1							
32	2	114399-76580	SCREW	1							
33	2	114399-76620	KNOB, STARTER	1							
34	2	114399-76630	ROPE, STARTER	1							
35	1	114399-76590	PULLEY, STARTER	1							
36	1	26106-060082	BOLT M 6X 8 PLATED	4							
37	1	26106-060122	BOLT M 6X 12 PLATED	3							

Fig.7. F.I.PUMP & F.I.VALVE

(A)=L70N5EJ1C1CAS1

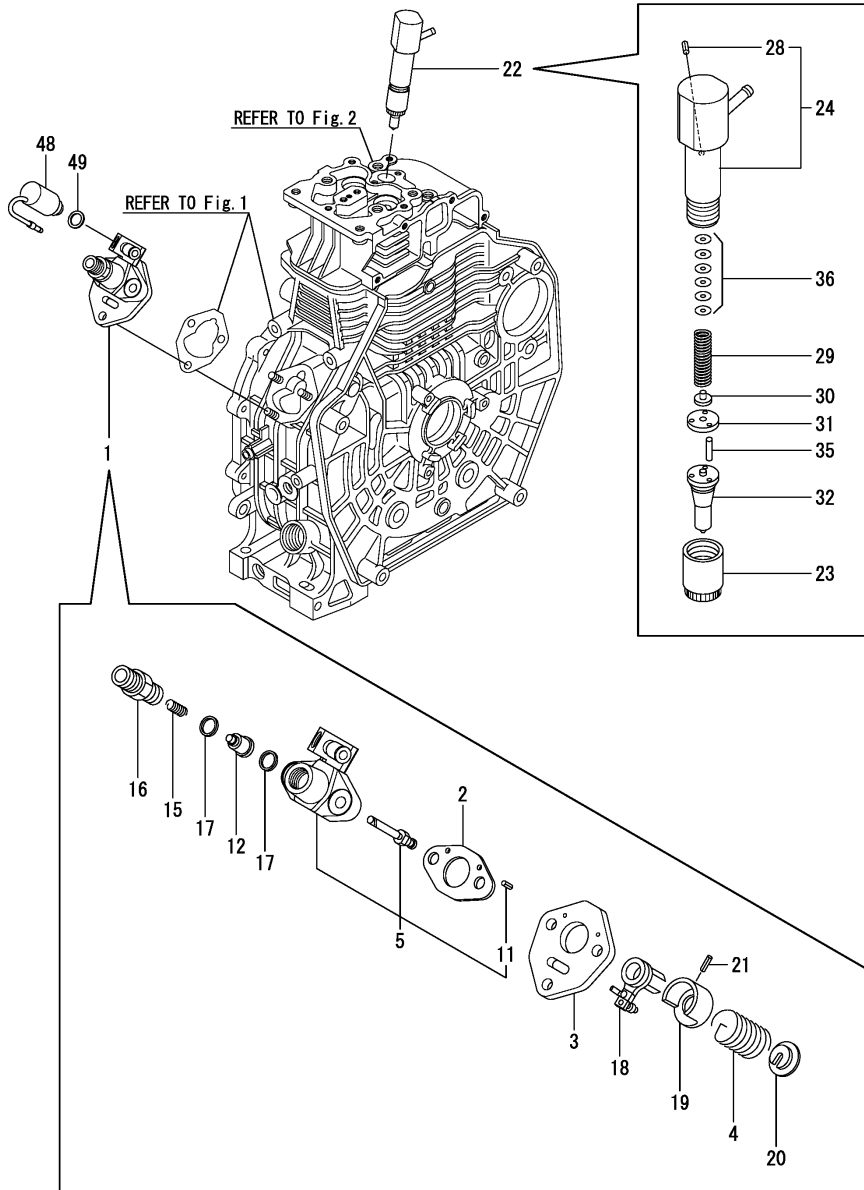
(B)=

(C)=

(D)=

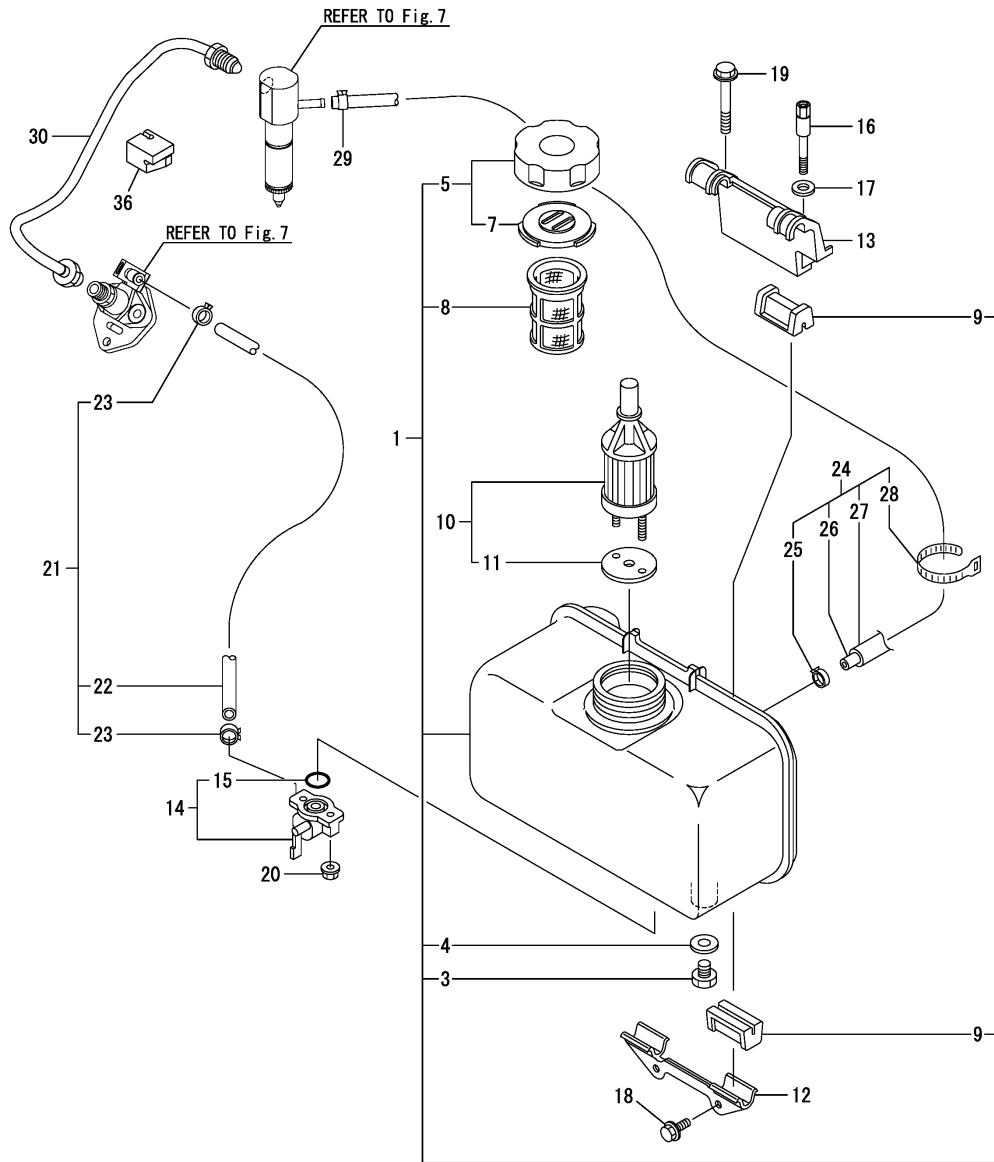
(E)=

(F)=



REF.	LEV.	PARTS NO.	DESCRIPTION	QTY						I	R
				(A)	(B)	(C)	(D)	(E)	(F)		
1	1	714239-51310	F.I.PUMP ASSY	1							
2	2	105546-51020	GASKET	1							
3	2	114250-51080	PLATE	1							
4	2	114250-51160	SPRING	1							
5	2	114239-51200	BODY ASSY, PUMP	1							
11	4	22351-020006	SPRING PIN 2X 6	2							
12	2	114650-51300	VALVE ASSY, DELIVERY	1							
15	2	105546-51330	SPRING, DELIV. VALVE	1							
16	2	114250-51340	HOLDER, F.I.P.DELIVE	1							
17	2	124550-51350	GASKET, DELIVERY	2							
18	2	114250-51600	LEVER ASSY, CONTROL	1							
19	2	114250-51640	SEAT (A), SPRING	1							
20	2	114250-51650	SEAT (B), SPRING	1							
21	2	22351-030008	SPRING PIN 3X 8	1							
22	1	714239-53200	FUEL INJECTOR	1							
23	2	114250-53080	NUT, NOZZLE CASE	1							
24	2	114339-53100	HOLDER ASSY, NOZZLE	1							
28	3	22351-025005	SPRING PIN 2.5AX 6	1							
29	2	114250-53120	SPRING, NOZZLE	1							
30	2	114250-53130	SEAT, NOZZLE SPRING	1							
31	2	114250-53140	PLATE, STOP	1							
32	2	114239-53200	NOZZLE ASSY	1							
35	2	114250-53210	PIN	2							
36	2	114250-53400	SHIM PACK	1							
48	1	114110-76900	VALVE ASSY, F/O CUT	1							
49	1	114299-83020	GASKET, 10X1.2	1							

Fig.8. FUEL TANK & FUEL PIPE



OCR10-G74400 8. FUEL TANK & FUEL PIPE

(A)=L70N5EJ1C1CAS1

(B)=

(C)=

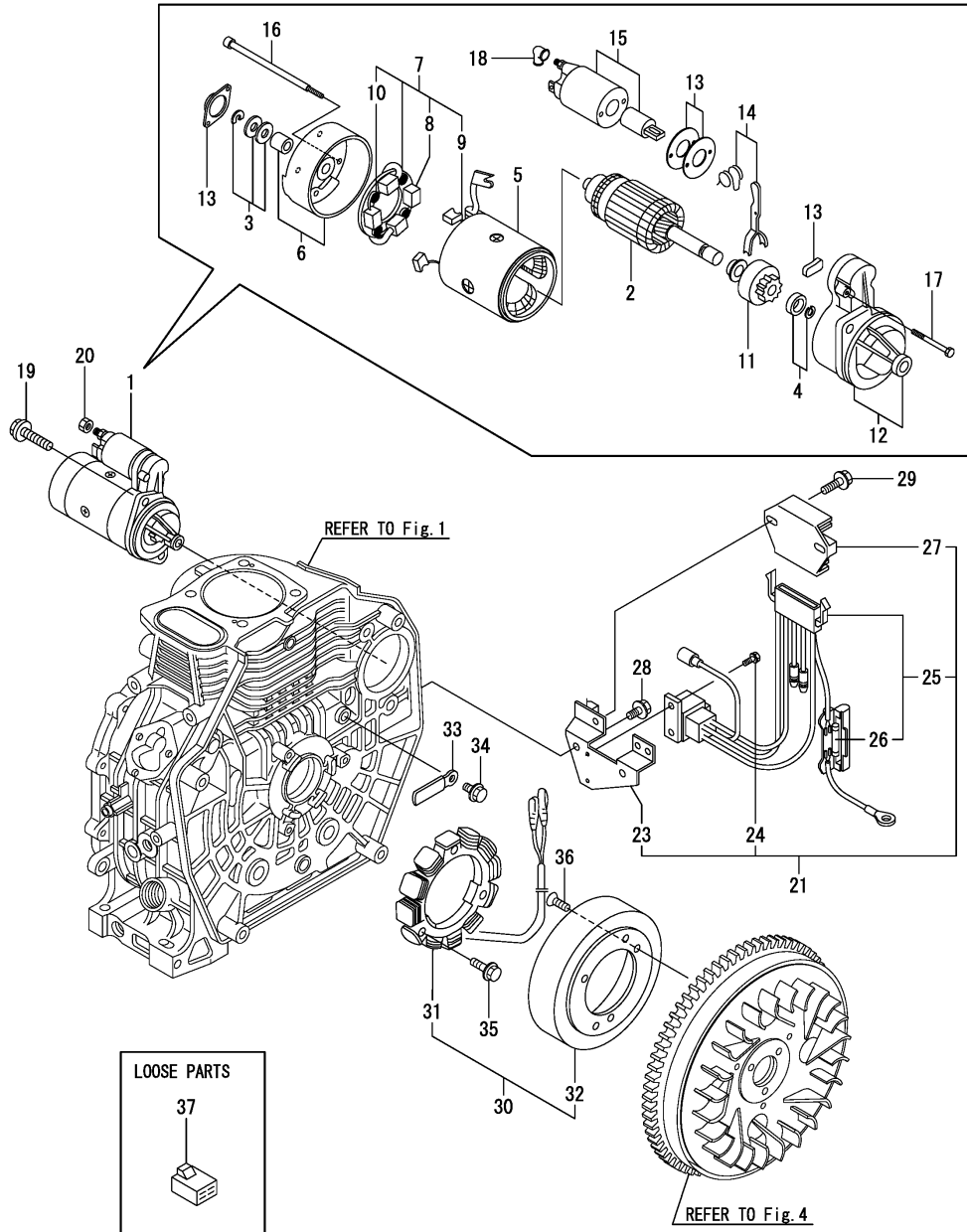
(D)=

(E)=

(F)=

REF.	LEV.	PARTS NO.	DESCRIPTION	QTY						I	R
				(A)	(B)	(C)	(D)	(E)	(F)		
1	1	714210-55700	TANK,FUEL(BLACK)(13)	1							
3	3	114299-55080	PLUG, DRAIN	1							
4	3	23414-080000	GASKET 8, ROUND	1							
5	2	114288-55041	CAP ASSY, FUEL TANK	1							
7	3	114288-55081	VALVE	1							
8	2	114299-55100	FILTER, FUEL OIL	1							
9	2	114250-55201	DAMPER, FUEL TANK	4							
10	1	114250-55121	FILTER, FUEL OIL	1							
11	2	114250-55130	GASKET	1							
12	1	114210-55210	STAY A, FUEL TANK	1							
13	1	114210-55230	STAY B, FUEL TANK	1							
14	1	114250-55301	COCK	1							
15	2	24341-000150	O-RING 1A S-15.0	1							
16	1	114210-55810	BOLT, LIFTING	1							
17	1	22117-080000	WASHER 8	1							
18	1	26106-060162	BOLT M 6X 16 PLATED	2							
19	1	26106-080452	BOLT M 8X 45 PLATED	1							
20	1	26366-060002	NUT M 6	2							
21	1	114780-59010	PIPE ASSY, FUEL OIL	1							
22	2	114780-59060	PIPE, FUEL OIL	1							
23	2	23080-014000	CLAMP, HOSE 14	2							
24	1	114239-59300	PIPE ASSY, RETURN	1							
25	2	124722-59050	CLAMP 9	2							
26	2	114650-59060	PIPE, FUEL RETURN	1							
27	2	114652-59310	TUBE, PROTECT	1							
28	2	121750-59890	CLAMP 140	1							
29	2	124066-59100	CLIP, HOSE 8	1							
30	1	114210-59800	PIPE, FUEL INJECTION	1							
36	1	114210-59850	SUPPORT, INJ. PIPE	1							

Fig.9. STARTING MOTOR & DYNAMO



(A)=L70N5EJ1C1CAS1

(B)=

(C)=

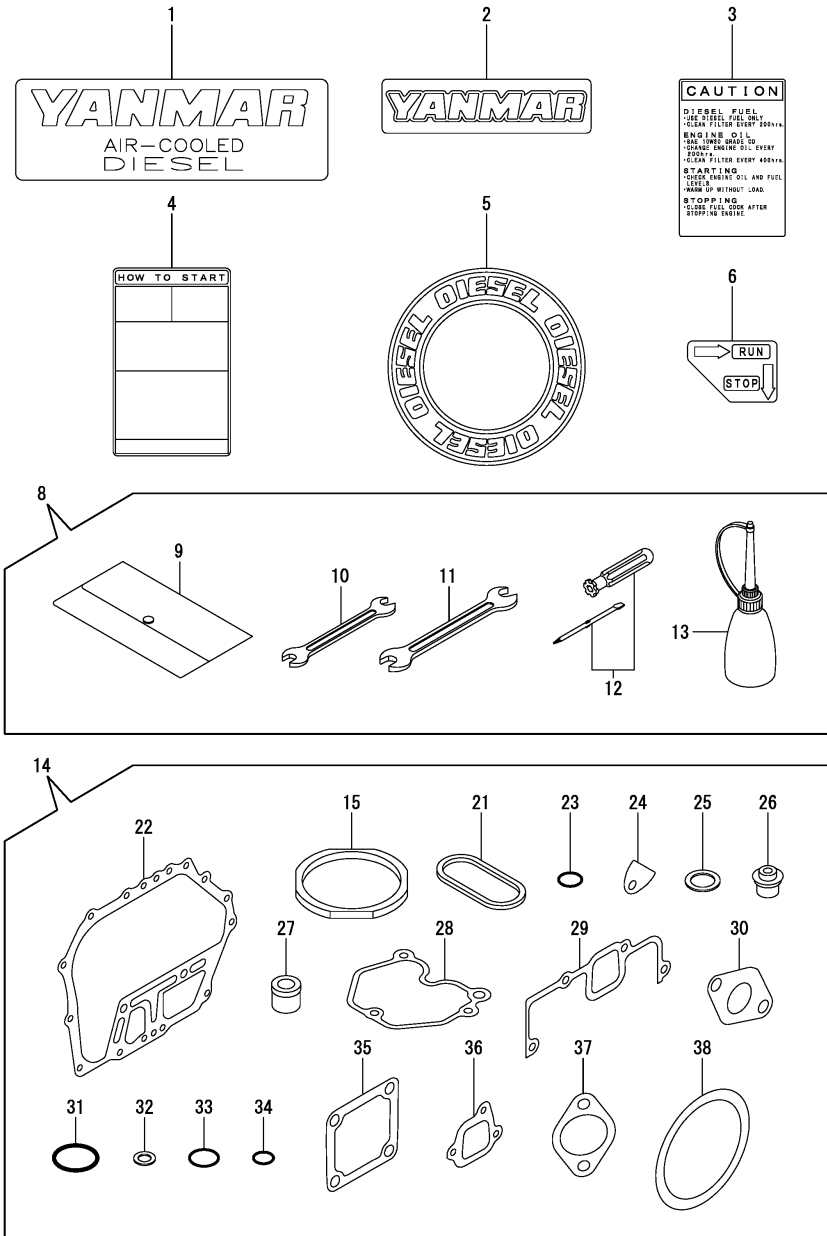
(D)=

(E)=

(F)=

REF.	LEV.	PARTS NO.	DESCRIPTION	QTY						I	R
				(A)	(B)	(C)	(D)	(E)	(F)		
1	1	114362-77011	STARTER(HITACHI 12V	1							
2	2	114381-77110	ARMATURE	1							
3	2	X2114811000	WASHER KIT, THRUST	1							
4	2	X2114715500	STOPPER SET, PINION	1							
5	2	114381-77130	COIL ASSY, FIELD	1							
6	2	114381-77140	COVER, REAR	1							
7	2	114371-77160	HOLDER ASSY, BRUSH	1							
8	3	114371-79040	BRUSH (-)	2							
9	3	114371-79050	BRUSH (+)	1							
10	3	114371-79060	SPRING, BRUSH	4							
11	2	X211485016	PINION ASSY	1							
12	2	114381-77151	HOUSING ASSY, GEAR	1							
13	2	114371-77170	COVER KIT, DUST	1							
14	2	114371-77180	SHIFT LEVER KIT	1							
15	2	124298-77020	SWITCH, MAGNET	1							
16	2	124195-77770	THROUGH BOLT	2							
17	2	114371-79070	BOLT M 6X 37	2							
18	2	X2114274200	COVER, TERMINAL	1							
19	1	26106-100302	BOLT M10X 30 PLATED	2							
20	1	26716-080002	NUT M 8	1							
21	1	114399-77550	REG. & HARNESS ASSY	1							
23	3	114399-77400	BRACKET, HARNESS	1							
24	3	26023-040102	SCREW M 4X 10	2							
25	3	114399-77540	HARNESS, WIRE	1							
26	4	29411-200000	FUSE (20A),CARTRIDGE	2							
27	2	114399-77710	REGULATOR	1							
28	1	26106-060122	BOLT M 6X 12 PLATED	2							
29	1	26106-060202	BOLT M 6X 20 PLATED	2							
30	1	114399-78260	DYNAMO ASSY	1							
31	2	114399-78730	STATOR ASSY	1							
32	2	114399-78740	WHEEL, DYNAMO	1							
33	1	160710-78710	CLAMP, CORD	1							
34	1	26106-060122	BOLT M 6X 12 PLATED	1							
35	1	26106-060202	BOLT M 6X 20 PLATED	3							
36	1	26577-060142	SCREW M 6X 14	3							
37	1	114351-77520	JOINT	1							

Fig.10. TOOL, LABEL & GASKET SET



Remarks
(1)OPTIONAL

(A)=L70N5EJ1C1CAS1

(B)=

(C)=

(D)=

(E)=

(F)=

REF.	LEV.	PARTS NO.	DESCRIPTION	QTY						I	R
				(A)	(B)	(C)	(D)	(E)	(F)		
1	1	114299-07100	LABEL, YANMAR MARK A	1							
2	1	114299-07110	LABEL, YANMAR	1							
3	1	114210-07120	LABEL, CAUTION	1							
4	1	114210-07130	LABEL HOW TO START-E	1							
5	1	114299-07160	LABEL, DIESEL	1							
6	1	183250-07480	LABEL, RUN-STOP	1							
8	1	114299-92590	TOOL ASSY	1							
9	2	114299-92600	TOOL BAG	1							
10	2	114299-92710	SPANNA	1							
11	2	114299-92720	SPANNA	1							
12	2	114299-92730	DRIVER	1							
13	2	114299-92740	FITTING, FUEL	1							
14	1	114220-92610	GASKET SET(NON-ASB.)	1							1
15	2	114395-01330	GASKET ASSY,CYL.HEAD	1							
21	2	114399-01380	O-RING	1							
22	2	114399-01410	GASKET, CRANK CASE	1							
23	2	114299-01950	O-RING	2							
24	2	114250-01841	GASKET	1							
25	2	22190-160002	SEAL WASHER 16S	2							
26	2	114350-11340	SEAL, VALVE STEM	2							
27	2	114771-11461	GASKET, NOZZLE	1							
28	2	114210-11310	GASKET, BONNET	1							
29	2	114210-12210	GASKET, AIR CLEANER	1							
30	2	114299-13200	GASKET, MUFFLER	1							
31	2	114299-32570	O-RING, COVER	1							
32	2	23414-080000	GASKET 8, ROUND	1							
33	2	24341-000224	O-RING 1A S-22.4	1							
34	2	24341-000150	O-RING 1A S-15.0	1							
35	2	129100-77510	GASKET, AIR HEATER	3							
36	2	114299-12210	GASKET, AIR CLEANER	2							
37	2	114299-12920	GASKET, OIL BATH	1							
38	2	114399-21980	GASKET	1							

Part Number Index

All parts are stipulated in the order of part numbers.

(Depending on the area in which the part is used.)

This index will display the location of the part according to each part number.

PARTS No. INDEX

PARTS No.	Fig.	Ref.No.
105010-11490	2	28
105546-51020	7	2
105546-51330	7	15
114110-76900	7	48
114210-01020	1	1
114210-01200	2	1
114210-01210	2	2
114210-01450	1	27
114210-03590	2	38
114210-07120	10	3
114210-07130	10	4
114210-07200	6	2
114210-11100	2	8
114210-11110	2	9
114210-11120	2	10
114210-11180	2	11
114210-11250	2	14
114210-11260	2	15
114210-11280	2	16
114210-11310	2	35
	10	28
114210-11650	2	17
114210-11660	2	21
114210-11901	2	30
114210-11930	2	12
114210-11950	2	36
114210-12010	3	2
114210-12210	3	16
	10	29
114210-12500	3	6
114210-12511	3	1
114210-12560	3	10
114210-12590	3	11
114210-12600	3	14
114210-12610	3	9
114210-14200	4	6
114210-14300	4	7
114210-14400	4	12
114210-23600	4	42
114210-23610	4	63
114210-23620	4	65
114210-45100-1	6	17
114210-45260	6	8
114210-45270	6	9
114210-45300	6	4
114210-45310	6	5
114210-45350	6	12
114210-45360	6	13
114210-55210	8	12
114210-55230	8	13

PARTS No.	Fig.	Ref.No.
114210-55810	8	16
114210-59800	8	30
114210-59850	8	36
114210-61290	5	31
114210-66300	5	37
114210-66350	5	41
114210-66510	5	36
114211-61500	5	16
114211-66600	5	49
114220-11020	2	3
114220-66020	5	47
114220-92610	10	14
114239-51200	7	5
114239-53200	7	32
114239-59300	8	24
114240-11450	2	26
114240-11550	2	27
114250-01841	1	20
	10	24
114250-32010	5	1
114250-51080	7	3
114250-51160	7	4
114250-51340	7	16
114250-51600	7	18
114250-51640	7	19
114250-51650	7	20
114250-53080	7	23
114250-53120	7	29
114250-53130	7	30
114250-53140	7	31
114250-53210	7	35
114250-53400	7	36
114250-55121	8	10
114250-55130	8	11
114250-55201	8	9
114250-55301	8	14
114288-55041	8	5
114288-55081	8	7
114299-01600	1	7
114299-01690	1	34
114299-01800	1	8
114299-01830	1	19
114299-01950	1	37
	10	23
114299-02030	1	39
114299-03640	2	41
114299-07100	10	1
114299-07110	10	2
114299-07160	10	5
114299-11240	2	19

PARTS No.	Fig.	Ref.No.
114299-11240	2	23
114299-11600	2	29
114299-12210	10	36
114299-12300	3	15
114299-12920	10	37
114299-13200	3	19
	10	30
114299-13800	3	29
114299-21220	4	21
114299-21550	4	22
114299-32070	5	7
114299-32570	5	8
	10	31
114299-35110	5	11
114299-35150	1	32
114299-45220	6	3
		7
114299-45301	6	18
114299-45310	6	19
114299-45330	6	20
114299-45350	6	21
114299-55080	8	3
114299-55100	8	8
114299-61190	5	15
114299-61600	5	28
114299-66200	5	48
114299-83020	7	49
114299-92590	10	8
114299-92600	10	9
114299-92710	10	10
114299-92720	10	11
114299-92730	10	12
114299-92740	10	13
114339-53100	7	24
114350-02100	1	30
114350-02113	1	40
114350-02200	1	45
114350-02210	1	46
114350-11340	2	25
	10	26
114351-77520	9	37
114362-77011	9	1
114371-77160	9	7
114371-77170	9	13
114371-77180	9	14
114371-79040	9	8
114371-79050	9	9
114371-79060	9	10
114371-79070	9	17
114380-23100	4	44

PARTS No.	Fig.	Ref.No.
114381-77110	9	2
114381-77130	9	5
114381-77140	9	6
114381-77151	9	12
114395-01330	10	15
114395-01340	1	5
114399-01380	1	6
	10	21
114399-01410	1	26
	10	22
114399-13520	3	20
114399-21590	4	23
114399-21600	4	26
114399-21980	10	38
114399-22300	4	36
114399-45320	6	10
114399-45340	6	6
		11
114399-76251	6	23
114399-76510	6	24
114399-76521	6	25
114399-76531	6	27
114399-76540	6	28
114399-76550	6	29
114399-76560	6	30
114399-76570	6	31
114399-76580	6	32
114399-76590	6	35
114399-76620	6	33
114399-76630	6	34
114399-77400	9	23
114399-77540	9	25
114399-77550	9	21
114399-77710	9	27
114399-78260	9	30
114399-78730	9	31
114399-78740	9	32
114650-51300	7	12
114650-59060	8	26
114652-59310	8	27
114699-01760	1	35
114770-61520	5	27
114770-61610	5	29
114771-11461	10	27
114780-59010	8	21
114780-59060	8	22
114780-61090	5	55
118200-23200	4	41
121750-59890	8	28
124066-59100	8	29

MODEL : L70N5EJ1C1CAS1
PC NO : 0CR10-G74400

PARTS No. INDEX

PARTS No.	Fig.	Ref.No.
124195-77770	9	16
124298-77020	9	15
124550-51350	7	17
124722-59050	8	25
129100-77510	10	35
160110-02220	1	41
		42
160710-78710	9	33
183250-07480	10	6
183250-39450	1	47
183250-66321	5	38
183250-66331	5	39
183250-66341	5	40
183250-66361	5	42
183250-66371	5	43
714210-21720	4	13
714210-23701	4	38
714210-28510	4	45
714210-45100	6	1
714210-55700	8	1
714210-61701	5	30
714220-14580	4	1
714220-22580	4	57
714220-22620	4	51
714220-22720	4	28
714239-51310	7	1
714239-53200	7	22
714870-22502	4	30
714870-22542	4	53
714870-22552	4	59
X2114274200	9	18
X2114715500	9	4
X2114811000	9	3
X211485016	9	11

PARTS No.	Fig.	Ref.No.
-----------	------	---------

PARTS No.	Fig.	Ref.No.
-----------	------	---------

PARTS No.	Fig.	Ref.No.
-----------	------	---------



YANMAR CO.,LTD.



PARTS CATALOG

DIESEL ENGINE

L70N5EKOC1HAMA

Published

Aug.,2008

000Y00R7400

Introduction

1. This parts catalog is a first edition of the L70N5EK0C1HAMA Diesel engine for Italian Dealers.

	Parts catalog No.	Date of issue	Remarks
First edition	000Y00R7400	Aug. , 2008	

2. This parts catalog does not contain the technical data needed for maintenance service.

3. The illustrations used in this parts catalog have been simplified for clarity.

4. The contents of this parts catalog are subject to change without notice.

5. Be sure to use only Yanmar genuine parts for repairs. If imitation parts are used, it may cause engine defects.

Directions for the Parts Catalog.

- 1.The parts stipulated in this Parts Catalog are not necessarily standard equipped parts.
- 2.Parts may change without prior notice.
- 3.The following is an example of the Parts Catalog format.

REF.	LEV.	PARTS No.	DESCRIPTION	QTY						I	R
				(A)	(B)	(C)	(D)	(E)	(F)		
1		729595-51390	FUEL INJECTION PUMP	1	1	1	1	1	1		
1-1	1	729595-51391	FUEL INJECTION PUMP	1	1	1	1	1	1		N
		(A=E00185) (B=E00200)									
3	2	26022-060162	SCREW M 6X16	9	9	9	9	9	9		
1	3-1	26022-060162	SCREW M 6X16	4	4	4	4	4	4		K
		(A=E00156) (B=E00156) (C=E00156) (D=E00156) (E=E00156)									
4	2	129470-51040	CAMSHIFT	9	9	9	9	9	9		
5	2	122710-51050	BEARING. ROLLER	9	9	9	9	9	9		
6	2	129470-51060	RETAINER	9	9	9	9	9	9		

Remarks
(1) BOOST COMPENSATOR TYPE. OPTIONAL PART. TO E#00155 (4JH-DT, 4JH-DTZ)

① Ref. No.

The Ref. No. listed may not be in accordance with the illustration Ref. No.

(Ex.) Illustration No. List Ref No.

1 1 (Before change) → 1-1 (After change)

For interchangeable symbols N, R and K, illustrations for new parts may be abbreviated.

② Lev. (Level)

Level indication

The numbers below indicate the level of relativity towards the main part.

1 ---- Main parts (Assembly parts)

2 ---- Sub component included in " 1 ".

3 ---- Sub component included in " 2 ".

Note) Parts that are not for sale are partially illustrated but not listed.

③ Change Mark

The "I" indicates parts that were newly changed.

④ Interchangeability Mark

When a part change takes place, one of the following interchangeability symbols is indicated beside the part.

Symbol	Interchangeability	Contents note
N	Old $\begin{matrix} \leftarrow \text{Yes} \\ \text{No} \rightarrow \end{matrix}$ New	New Part is interchangeable for Old Part but Old Part is not interchangeable for New Part.
Q	Old $\begin{matrix} \text{No} \leftarrow \\ \text{Yes} \rightarrow \end{matrix}$ New	New Part is not interchangeable for Old Part but Old Part is interchangeable for New Part.
R	Old $\begin{matrix} \leftarrow \text{Yes} \\ \text{Yes} \rightarrow \end{matrix}$ New	New/ Old Parts are both interchangeable.
S	Old $\begin{matrix} \text{No} \leftarrow \\ \text{No} \rightarrow \end{matrix}$ New	New/ Old Parts are both not interchangeable.
W		Part discontinued.
Z		Part newly added.
F		Not interchangeable by a single part but interchangeable together with related parts.
K		Changes only for used parts quantities.

⑤ Effective Machine No.

When a part changes, the effective Machine No. will be indicated in the (A)-(F) column.

Product Symbol	Product No.	Product Symbol	Product No.
C	Clutch No. Compressor No.	F	Machine No. (Agricultural Equip.)
D	Drive No.	M	Machine No.
E	Engine No.	Note 1)	Date

Note 1) A date may follow the symbol. (Ex.) 1996.01

Note 2) " XXX " are for parts that could not be predicted or for engine models that could not be identified.

Note 3) (A=E/#00185) is the E/# (Engine Serial Number) for the column (A) model (in this case 4JH-DT) after the parts design change.

⑥ Remarks Mark

Figures or alphabets (symbols) are entered in the remarks column.

The comments (remarks) on parts that are indicated at the bottom of the illustration are the same symbols as those stated above.

CONTENTS

MODEL : L70N5EK0C1HAMA(ITALIAN DEALERS)

PC NO : Y00R7400

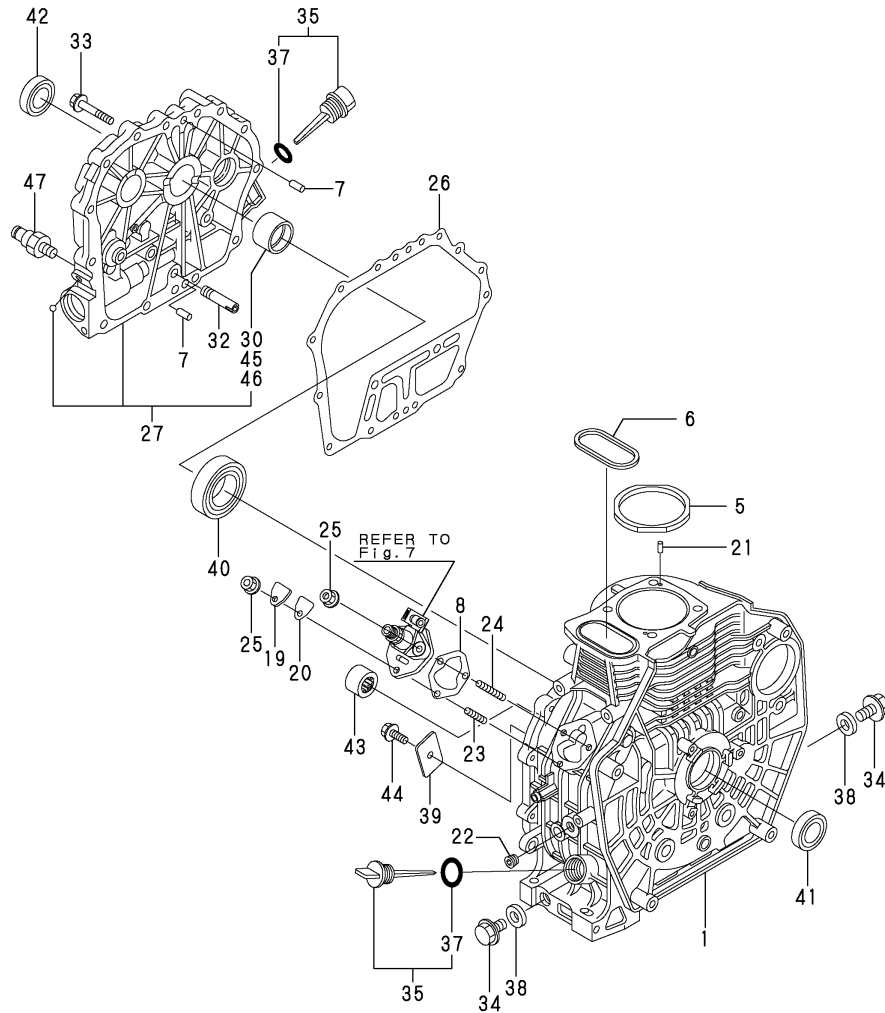
Fig.No. GROUP NAME

L70N5EK0C1HAMA

1. CYLINDER BLOCK
2. CYLINDER HEAD & BONNET
3. AIR CLEANER & MUFFLER
4. CRANKSHAFT, PISTON & CAMSHAFT
5. LUB.OIL PUMP & GOVERNOR
6. COOLING DEVICE
7. FUEL INJECTION PUMP & FUEL INJECTION VALVE
8. STARTING MOTOR & DYNAMO
9. TOOL, LABEL & GASKET SET

Fig.No. GROUP NAME

Fig.1. CYLINDER BLOCK



(A)=L70N5EK0C1HAMA

(B)=

(C)=

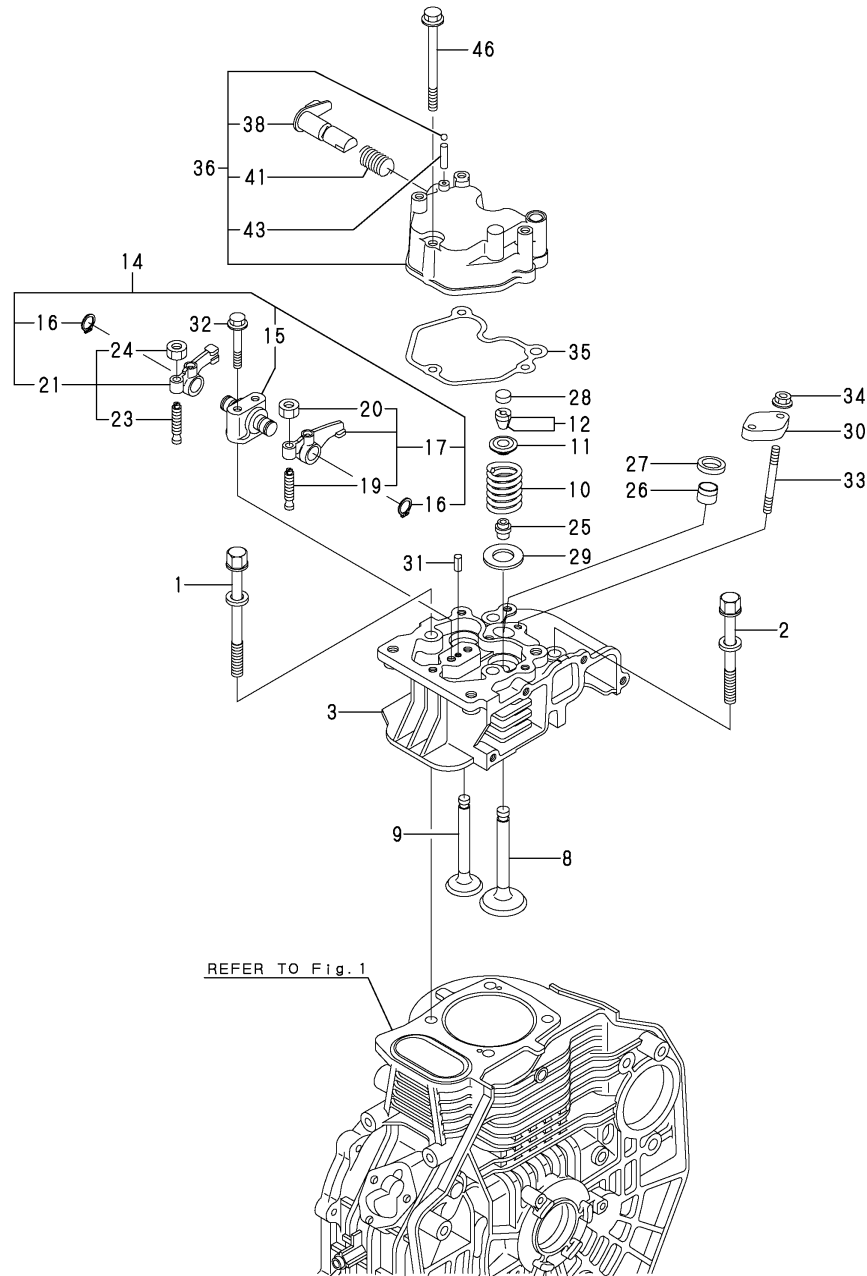
(D)=

(E)=

(F)=

REF.	LEV.	PARTS NO.	DESCRIPTION	Q'TY						I	R
				(A)	(B)	(C)	(D)	(E)	(F)		
1	1	114210-01020	BLOCK ASSY, CYLINDER	1							
5	1	114395-01340	GASKET, HEAD 0.5	1							
6	1	114399-01380	O-RING	1							
7	1	114299-01600	PIN, 8X12	2							
8	1	114299-01800	SHIM SET	1							
19	1	114299-01830	COVER,(FO PUMP	1							
20	1	114250-01841	GASKET	1							
21	1	22312-040080	PIN 4X8,STRAIGHT	2							
22	1	23875-020000	PLUG PT1/4,STEEL	1							
23	1	26226-060182	STUD M 6X 18 PLATED	1							
24	1	26226-060222	STUD M 6X 22 PLATED	2							
25	1	26366-060002	NUT M 6	3							
26	1	114399-01410	GASKET, CRANK CASE	1							
27	1	114210-01450	COVER(E-D,CRANK CASE	1							
30	2	114350-02100	BEARING, MAIN	1							1
32	1	114299-35150	PIPE, L.O. INLET	1							
33	1	26106-080352	BOLT M 8X 35 PLATED	15							
34	1	114299-01690	PLUG M16	2							
35	1	114699-01760	CAP, W/LUB.OIL GAUGE	2							
37	2	114299-01950	O-RING	2							
38	1	22190-160002	SEAL WASHER 16S	2							
39	1	114299-02030	RETAINER	1							
40	1	114350-02113	BALL BEARING	1							
41	1	160110-02220	SEAL, OIL	1							
42	1	160110-02220	SEAL, OIL	1							
43	1	24162-152116	NEEDLE BEARING	1							
44	1	26106-080122	BOLT M 8X 12 PLATED	1							
45	1	114350-02200	MAIN BEARING US=0.25	1							2
46	1	114350-02210	MAIN BEARING US=0.50	1							3
47	1	183250-39450	SENDER, OIL PRESSURE	1							

Fig.2. CYLINDER HEAD & BONNET



(A)=L70N5EK0C1HAMA

(B)=

(C)=

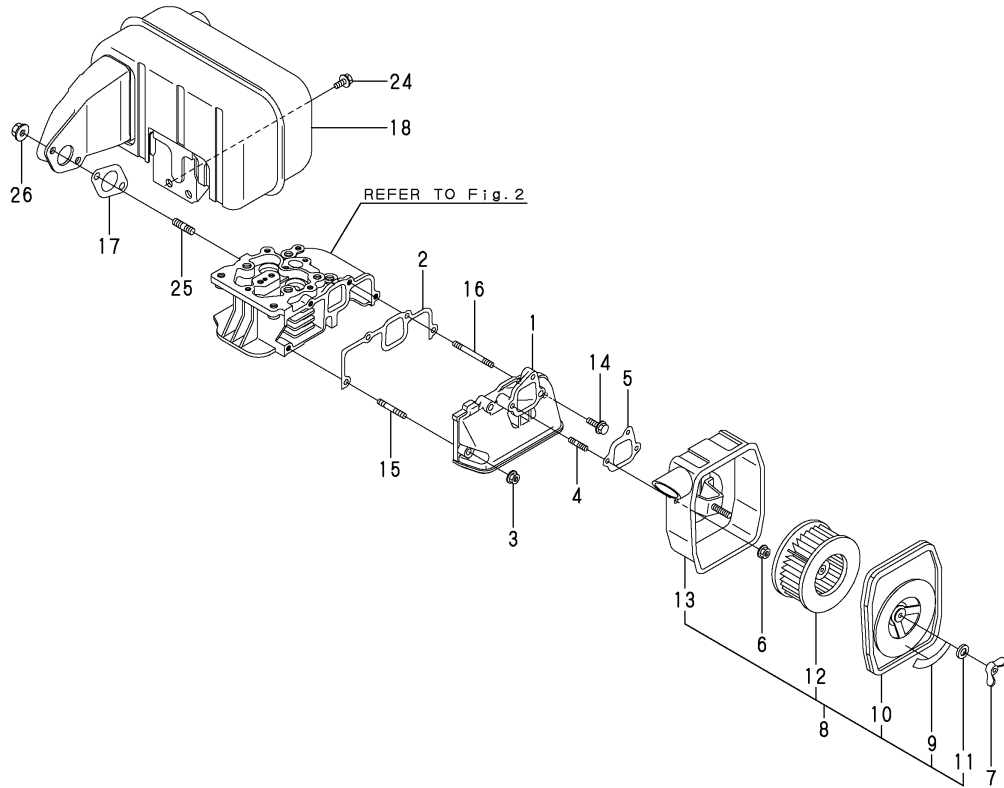
(D)=

(E)=

(F)=

REF.	LEV.	PARTS NO.	DESCRIPTION	QTY						I	R
				(A)	(B)	(C)	(D)	(E)	(F)		
1	1	114210-01200	BOLT, CYL.HEAD A	2							
2	1	114210-01210	BOLT, CYL.HEAD B	2							
3	1	114220-11020	HEAD ASSY, CYLINDER	1							
8	1	114210-11100	VALVE, INTAKE	1							
9	1	114210-11110	VALVE, EXHAUST	1							
10	1	114210-11120	SPRING, VALVE	2							
11	1	114210-11180	RETAINER, SPRING	2							
12	1	114210-11930	COTTER ASSY	2							
14	1	114210-11250	SUPPORT ASSY, ROCKER	1							
15	2	114210-11260	SUPPORT, ROCKER ARM	1							
16	2	114210-11280	C TYPE RETAINING RIN	2							
17	2	114210-11650	ARM ASSY, INTAKE	1							
19	3	114299-11240	SCREW, ADJUSTING	1							
20	3	26856-060002	LOCK NUT 6	1							
21	2	114210-11660	ARM ASSY, EXHAUST	1							
23	3	114299-11240	SCREW, ADJUSTING	1							
24	3	26856-060002	LOCK NUT 6	1							
25	1	114350-11340	SEAL, VALVE STEM	2							
26	1	114240-11450	PROTECTOR, NOZZLE	1							
27	1	114240-11550	SEAT, NOZZLE	1							
28	1	105010-11490	CAP, VALVE	2							
29	1	114299-11600	WASHER, VALVE SPRING	2							
30	1	114210-11901	RETAINER, NOZZLE	1							
31	1	22351-040008	SPRING PIN 4X 8	1							
32	1	26106-060402	BOLT M 6X 40 PLATED	2							
33	1	26226-060552	STUD M6X 55 PLATED	2							
34	1	26366-060002	NUT M 6	2							
35	1	114210-11310	GASKET, BONNET	1							
36	1	114210-11950	BONNET ASSY, HEAD	1							
38	2	114210-03590	SHAFT ASSY, DECOMP.	1							
41	2	114299-03640	SPRING, DECOMP.	1							
43	2	22312-030160	PARALLEL PIN 3X16	1							
46	1	26106-060552	BOLT M 6X 55 PLATED	3							

Fig.3. AIR CLEANER & MUFFLER



Y00R7400 3. AIR CLEANER & MUFFLER

(A)=L70N5EK0C1HAMA

(B)=

(C)=

(D)=

(E)=

(F)=

REF.	LEV.	PARTS NO.	DESCRIPTION	Q'TY						I	R
				(A)	(B)	(C)	(D)	(E)	(F)		
1	1	114210-12050	MANIFOLD, INTAKE	1							
2	1	114210-12210	GASKET, AIR CLEANER	1							
3	1	114299-12300	U-NUT	2							
4	1	26226-060142	STUD M 6X 14 PLATED	2							
5	1	114299-12210	GASKET, AIR CLEANER	1							
6	1	114299-12300	U-NUT	3							
7	1	114250-12550	WING-NUT, M 6	1							
8	1	114250-12970	CLEANER ASSY, AIR	1							
9	2	114770-07450	LABEL, AIR CLEANER	1							
10	2	114250-12520	COVER, AIR CLEANER	1							
11	2	114250-12560	WASHER M 6, SEAL	1							
12	2	114250-12581	ELEMENT, WET AIR	1							
13	2	114250-12980	CASE, AIR CLEANER	1							
14	1	26106-060202	BOLT M 6X 20 PLATED	1							
15	1	26226-060302	STUD M 6X 30	2							
16	1	26226-060502	STUD M 6X 50	1							
17	1	114299-13200	GASKET, MUFFLER	1							
18	1	114399-13520	MUFFLER ASSY	1							
24	1	26106-060142	BOLT M 6X 14 PLATED	2							
25	1	26216-080182	STUD M 8X 18 PLATED	2							
26	1	26366-080002	NUT M 8	2							

Fig.4. CRANKSHAFT, PISTON & CAMSHAFT

(A)=L70N5EK0C1HAMA

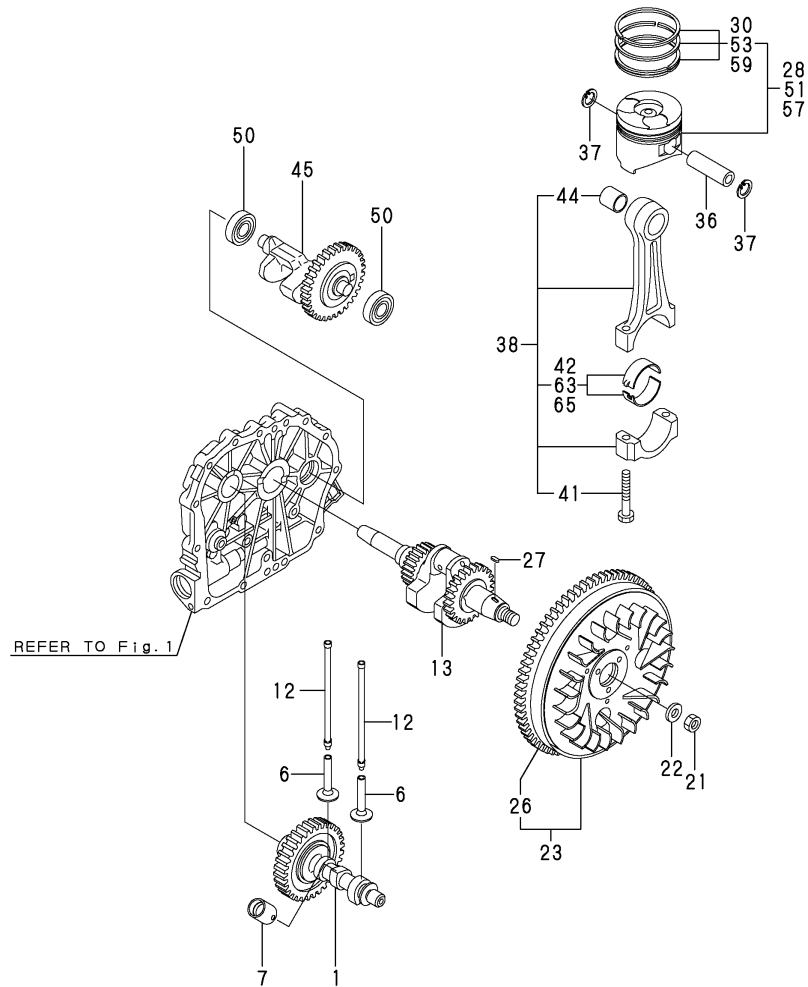
(B)=

(C)=

(D)=

(E)=

(F)=



REF.	LEV.	PARTS NO.	DESCRIPTION	Q'TY						I	R
				(A)	(B)	(C)	(D)	(E)	(F)		
1	1	714220-14580	CAMSHAFT ASSY	1							
6	1	114210-14200	TAPPET	2							
7	1	114210-14300	TAPPET ASSY, ROLLER	1							
12	1	114210-14400	ROD ASSY, PUSH	2							
13	1	714210-21720	CRANKSHAFT(E-DG ASSY	1							
21	1	114299-21220	NUT	1							
22	1	114299-21550	WASHER, FLYWHEEL	1							
23	1	114399-21590	FLYWHEEL ASSY, DE	1							
26	2	114399-21600	GEAR, RING D	1							
27	1	22512-040120	KEY 4X 12	1							
28	1	714220-22720	PISTON W/RINGS (D	1							
30	2	714870-22502	RING SET, PISTON	1							
36	1	114399-22300	PISTON PIN	1							
37	1	22252-000210	CIRCLIP 21	2							
38	1	714210-23701	ROD ASSY, CONNECTING	1							
41	2	118200-23200	BOLT, ROD	2							
42	2	114210-23600	BEARING, CRANK PIN	1							
44	2	114380-23100	BUSH, PISTON PIN	1							
45	1	714210-28510	SHAFT ASSY, BALANCER	1							
50	1	24101-062030	BALL BEARING	2							
51	1	714220-22620	PISTON W/RING OS=.25	1							1
53	2	714870-22542	RING SET O.S=0.25	1							1
57	1	714220-22580	PISTON W/RING OS=0.5	1							2
59	2	714870-22552	RING SET O.S=0.50	1							2
63	1	114210-23610	BEARING, PIN(U.S=0.25	1							3
65	1	114210-23620	BEARING, PIN(U.S=0.50	1							4

Fig.5. LUB.OIL PUMP & GOVERNOR

(A)=L70N5EK0C1HAMA

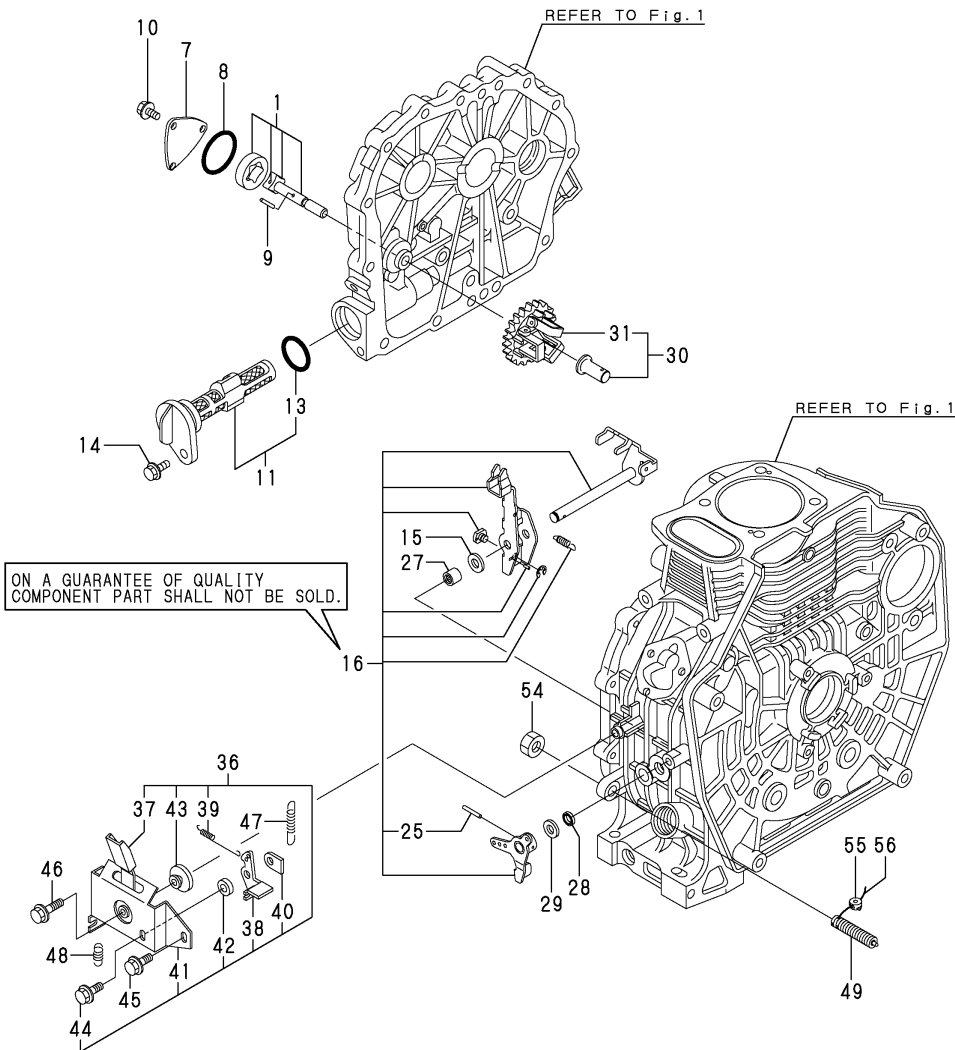
(B)=

(C)=

(D)=

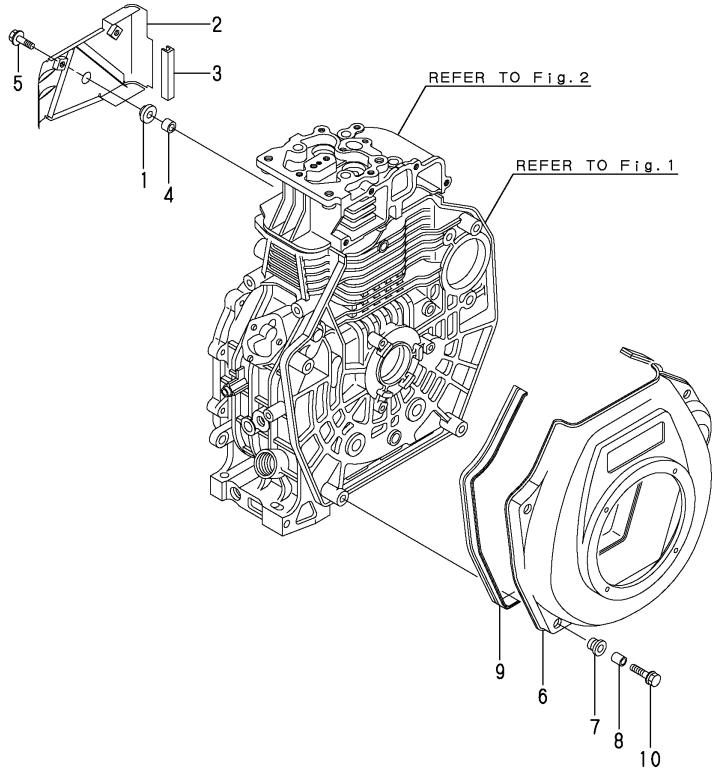
(E)=

(F)=



REF.	LEV.	PARTS NO.	DESCRIPTION	QTY						I	R
				(A)	(B)	(C)	(D)	(E)	(F)		
1	1	114250-32010	PUMP ASSY, LUB.OIL	1							
7	1	114299-32070	COVER, LUB. OIL PUMP	1							
8	1	114299-32570	O-RING, COVER	1							
9	1	22312-030160	PARALLEL PIN 3X16	1							
10	1	26106-060122	BOLT M 6X 12 PLATED	3							
11	1	114299-35110	FILTER CMP, LUB.OIL	1							
13	2	24341-000224	O-RING 1A S-22.4	1							
14	1	26106-060162	BOLT M 6X 16 PLATED	1							
15	1	114299-61190	WASHER, GOVERNOR	1							
16	1	114211-61500	LEVER ASSY, GOVERNOR	1							
25	2	22322-030200	TAPER PIN 3X20	1							
27	1	114770-61520	BEARING, NEEDLE	2							
28	1	114299-61600	SEAL, OIL	1							
29	1	114770-61610	WASHER, THRUST	1							
30	1	714210-61701	GOVERNOR ASSY	1							
31	2	114210-61290	WEIGHT ASSY, GOVERNOR	1							
36	1	114210-66510	BRACKET, REGULATOR	1							
37	2	114210-66300	HANDLE	1							
38	2	183250-66321	LEVER	1							
39	2	183250-66331	SPRING, LEVER	1							
40	2	183250-66341	NUT	1							
41	2	114210-66350	BRACKET	1							
42	2	183250-66361	COLLAR	1							
43	2	183250-66371	COLLAR	1							
44	2	26106-060162	BOLT M 6X 16 PLATED	1							
45	1	26106-060142	BOLT M 6X 14 PLATED	1							
46	1	26106-060202	BOLT M 6X 20 PLATED	1							
47	1	114220-66020	SPRING, REGULATOR	1							
48	1	114299-66200	SPRING, RETURN	1							
49	1	114211-66600	LIMITER ASSY, FUEL	1							
54	1	26776-100002	LOCK NUT M10 PLATED	1							
55	1	114780-61090	TIN	1							
56	1	22451-060000	WIRE 0.6	1							

Fig.6. COOLING DEVICE



(A)=L70N5EK0C1HAMA
(B)=
(C)=

(D)=
(E)=
(F)=

REF.	LEV.	PARTS NO.	DESCRIPTION	QTY						I	R
				(A)	(B)	(C)	(D)	(E)	(F)		
1	1	114299-45220	GROMMET, TANK	1							
2	1	114210-45260	COVER B, SIDE (13)	1							
3	1	114399-45320	RUBBER, SEAL	1							
4	1	114399-45340	COLLAR, CYL.COVER	1							
5	1	26106-060202	BOLT M 6X 20 PLATED	1							
6	1	114210-45100	FAN CASE(SILVER)(17)	1							
7	1	114299-45301	RUBBER, CUSHION	4							
8	1	114299-45310	COLLAR, FAN CASE	4							
9	1	114299-45330	SEAL, FAN CASE	1							
10	1	114299-45350	BOLT, FAN CASE	4							

Fig.7. FUEL INJECTION PUMP & FUEL INJECTION VALVE

(A)=L70N5EK0C1HAMA

(B)=

(C)=

(D)=

(E)=

(F)=

A FUEL TANK IS CUSTOMER ARRANGEMENTS.

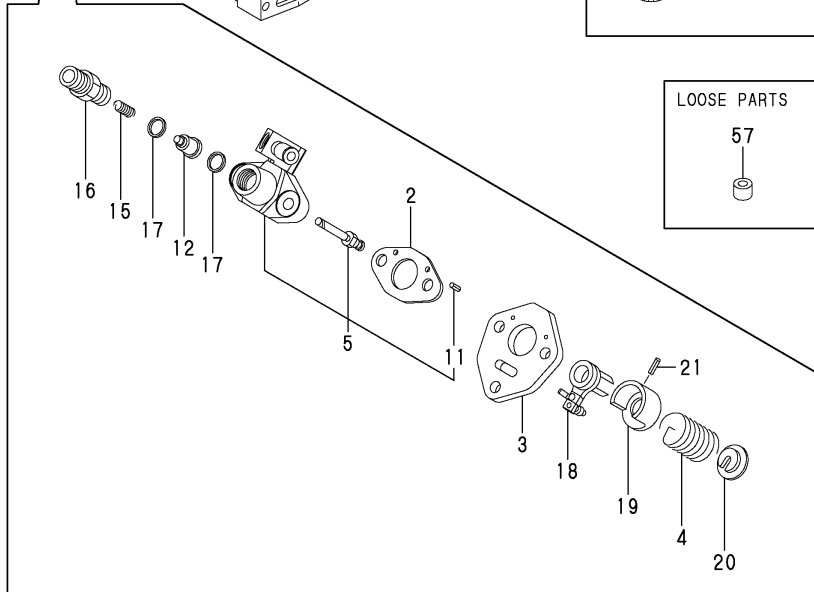
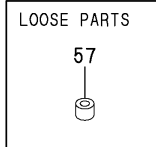
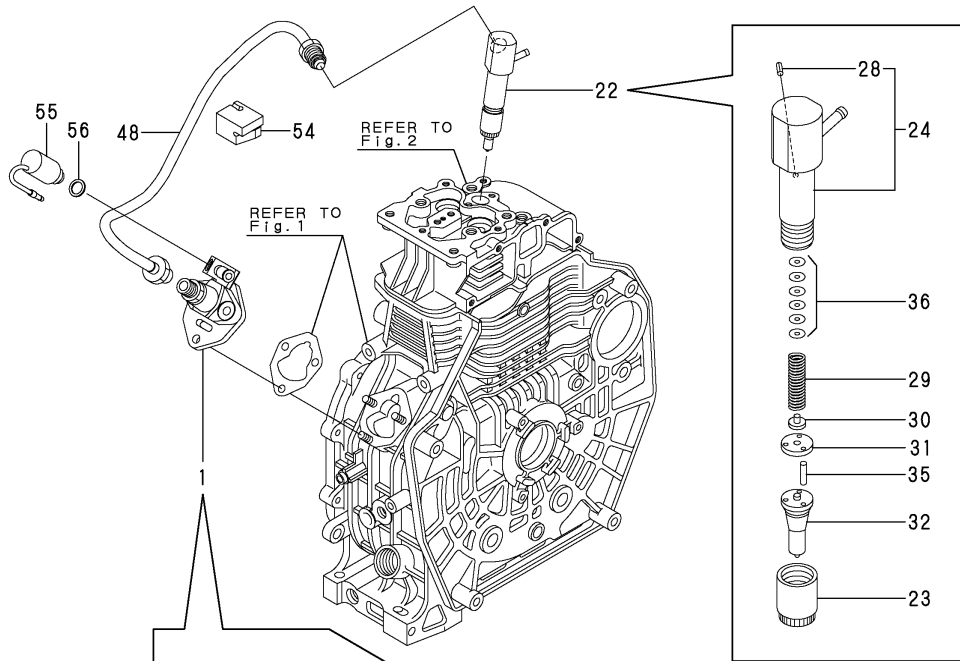
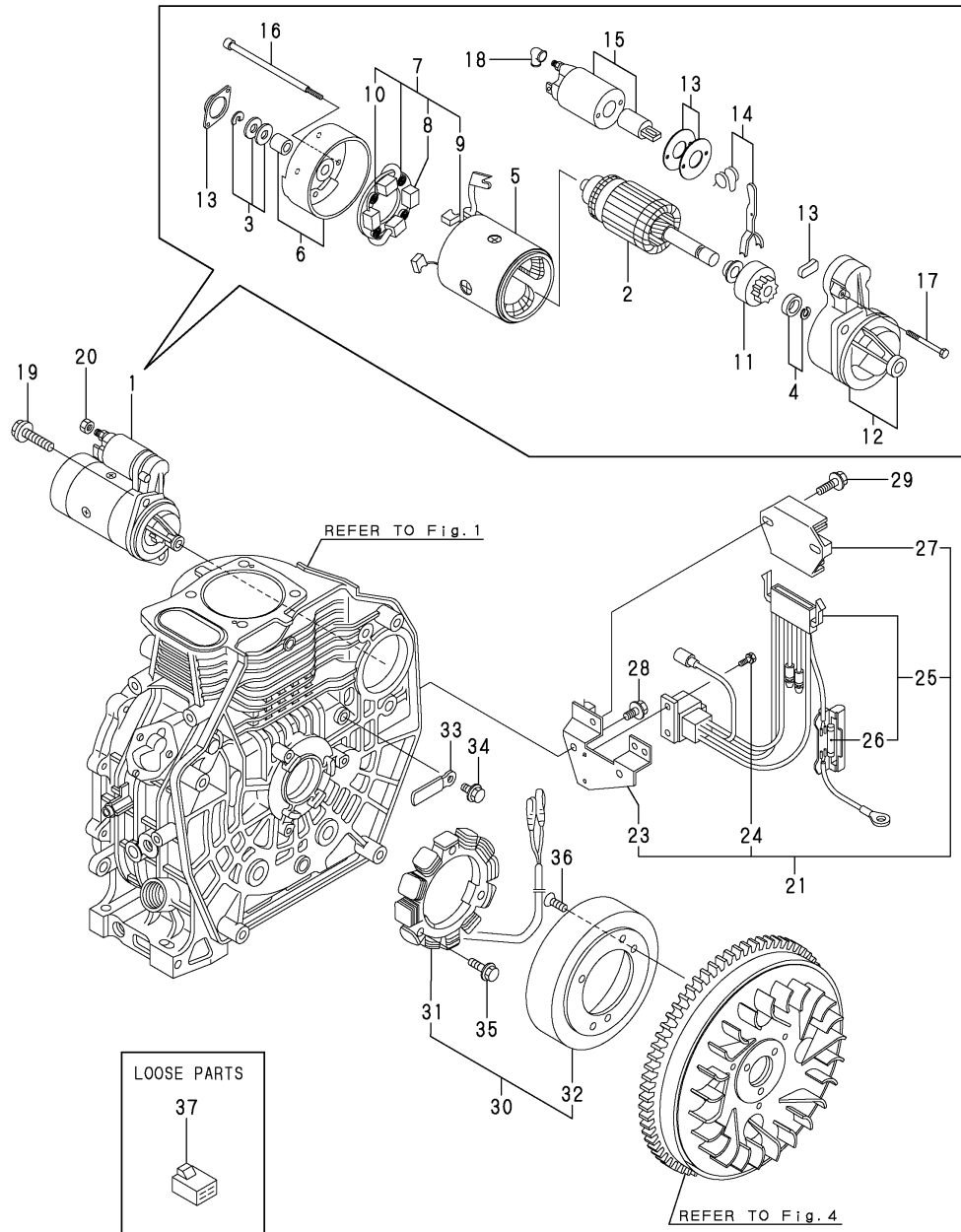


Fig.8. STARTING MOTOR & DYNAMO



(A)=L70N5EK0C1HAMA

(B)=

(C)=

(D)=

(E)=

(F)=

REF.	LEV.	PARTS NO.	DESCRIPTION	QTY						I	R
				(A)	(B)	(C)	(D)	(E)	(F)		
1	1	114362-77011	STARTER(HITACHI 12V	1							
2	2	114381-77110	ARMATURE	1							
3	2	X2114811000	WASHER KIT, THRUST	1							
4	2	X2114715500	STOPPER SET, PINION	1							
5	2	114381-77130	COIL ASSY, FIELD	1							
6	2	114381-77140	COVER, REAR	1							
7	2	114371-77160	HOLDER ASSY, BRUSH	1							
8	3	114371-79040	BRUSH (-)	2							
9	3	114371-79050	BRUSH (+)	1							
10	3	114371-79060	SPRING, BRUSH	4							
11	2	X211485016	PINION ASSY	1							
12	2	114381-77151	HOUSING ASSY, GEAR	1							
13	2	114371-77170	COVER KIT, DUST	1							
14	2	114371-77180	SHIFT LEVER KIT	1							
15	2	124298-77020	SWITCH, MAGNET	1							
16	2	124195-77770	THROUGH BOLT	2							
17	2	114371-79070	BOLT M 6X 37	2							
18	2	X2114274200	COVER, TERMINAL	1							
19	1	26106-100302	BOLT M10X 30 PLATED	2							
20	1	26716-080002	NUT M 8	1							
21	1	114399-77550	REG. & HARNESS ASSY	1							
23	3	114399-77400	BRACKET, HARNESS	1							
24	3	26023-040102	SCREW M 4X 10	2							
25	3	114399-77540	HARNESS, WIRE	1							
26	4	29411-200000	FUSE (20A),CARTRIDGE	2							
27	2	114399-77710	REGULATOR	1							
28	1	26106-060122	BOLT M 6X 12 PLATED	2							
29	1	26106-060202	BOLT M 6X 20 PLATED	2							
30	1	114399-78260	DYNAMO ASSY	1							
31	2	114399-78730	STATOR ASSY	1							
32	2	114399-78740	WHEEL, DYNAMO	1							
33	1	160710-78710	CLAMP, CORD	1							
34	1	26106-060122	BOLT M 6X 12 PLATED	1							
35	1	26106-060202	BOLT M 6X 20 PLATED	3							
36	1	26577-060142	SCREW M 6X 14	3							
37	1	114351-77520	JOINT	1							

Fig.9. TOOL, LABEL & GASKET SET

(A)=L70N5EK0C1HAMA

(B)=

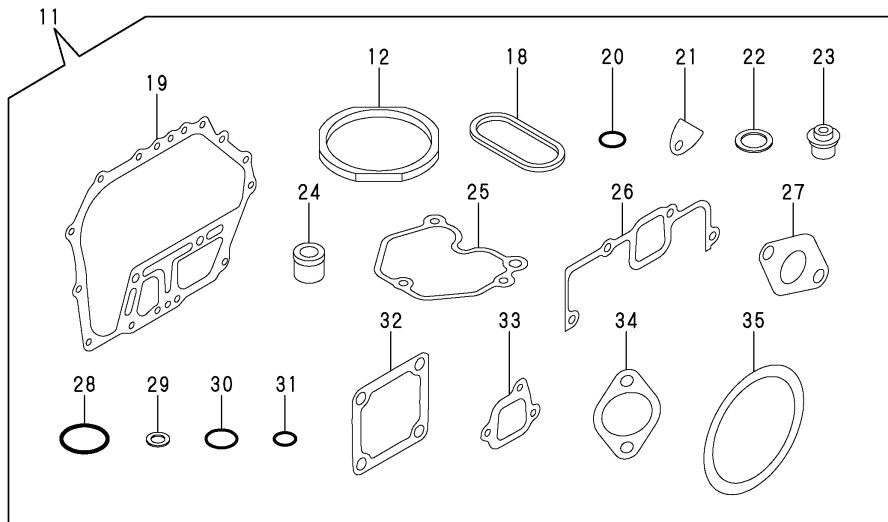
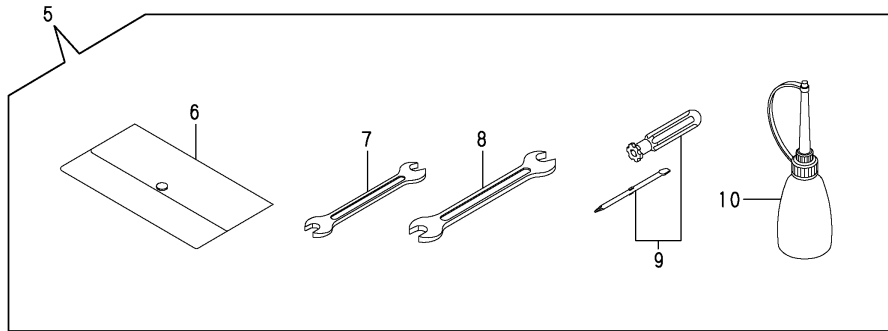
(C)=

(D)=

(E)=

(F)=

REF.	LEV.	PARTS NO.	DESCRIPTION	Q'TY						I	R
				(A)	(B)	(C)	(D)	(E)	(F)		
1	1	114299-07110	LABEL, YANMAR	1							
2	1	183250-07480	LABEL, RUN-STOP	1							
5	1	114299-92590	TOOL ASSY	1							
6	2	114299-92600	TOOL BAG	1							
7	2	114299-92710	SPANNA	1							
8	2	114299-92720	SPANNA	1							
9	2	114299-92730	DRIVER	1							
10	2	114299-92740	FITTING, FUEL	1							
11	1	114220-92600	GASKET SET(NON-ASB.)	1							1
12	2	114395-01330	GASKET ASSY,CYL.HEAD	1							
18	2	114399-01380	O-RING	1							
19	2	114399-01410	GASKET, CRANK CASE	1							
20	2	114299-01950	O-RING	2							
21	2	114250-01841	GASKET	1							
22	2	22190-160002	SEAL WASHER 16S	2							
23	2	114350-11340	SEAL, VALVE STEM	2							
24	2	114771-11461	GASKET, NOZZLE	1							
25	2	114210-11310	GASKET, BONNET	1							
26	2	114210-12210	GASKET, AIR CLEANER	1							
27	2	114299-13200	GASKET, MUFFLER	1							
28	2	114299-32570	O-RING, COVER	1							
29	2	23414-080000	GASKET 8, ROUND	1							
30	2	24341-000224	O-RING 1A S-22.4	1							
31	2	24341-000150	O-RING 1A S-15.0	1							
32	2	129100-77510	GASKET, AIR HEATER	3							
33	2	114299-12210	GASKET, AIR CLEANER	2							
34	2	114299-12920	GASKET, AIR CLEANER	1							
35	2	114399-21980	GASKET	1							



Part Number Index

All parts are stipulated in the order of part numbers.

(Depending on the area in which the part is used.)

This index will display the location of the part according to each part number.

PARTS No. INDEX

PARTS No.	Fig.	Ref.No.
105010-11490	2	28
105546-51020	7	2
105546-51330	7	15
114110-76900	7	55
114210-01020	1	1
114210-01200	2	1
114210-01210	2	2
114210-01450	1	27
114210-03590	2	38
114210-11100	2	8
114210-11110	2	9
114210-11120	2	10
114210-11180	2	11
114210-11250	2	14
114210-11260	2	15
114210-11280	2	16
114210-11310	2	35
	9	25
114210-11650	2	17
114210-11660	2	21
114210-11901	2	30
114210-11930	2	12
114210-11950	2	36
114210-12050	3	1
114210-12210	3	2
	9	26
114210-14200	4	6
114210-14300	4	7
114210-14400	4	12
114210-23600	4	42
114210-23610	4	63
114210-23620	4	65
114210-45100	6	6
114210-45260	6	2
114210-59800	7	48
114210-59850	7	54
114210-61290	5	31
114210-66300	5	37
114210-66350	5	41
114210-66510	5	36
114211-61500	5	16
114211-66600	5	49
114220-11020	2	3
114220-66020	5	47
114220-92600	9	11
114239-51200	7	5
114239-53200	7	32
114240-11450	2	26
114240-11550	2	27
114250-01841	1	20

PARTS No.	Fig.	Ref.No.
114250-01841	9	21
114250-12520	3	10
114250-12550	3	7
114250-12560	3	11
114250-12581	3	12
114250-12970	3	8
114250-12980	3	13
114250-32010	5	1
114250-51080	7	3
114250-51160	7	4
114250-51340	7	16
114250-51600	7	18
114250-51640	7	19
114250-51650	7	20
114250-53080	7	23
114250-53120	7	29
114250-53130	7	30
114250-53140	7	31
114250-53210	7	35
114250-53400	7	36
114299-01600	1	7
114299-01690	1	34
114299-01800	1	8
114299-01830	1	19
114299-01950	1	37
	9	20
114299-02030	1	39
114299-03640	2	41
114299-07110	9	1
114299-11240	2	19
	23	
114299-11600	2	29
114299-12210	3	5
	9	33
114299-12300	3	3
	6	
114299-12920	9	34
114299-13200	3	17
	9	27
114299-21220	4	21
114299-21550	4	22
114299-32070	5	7
114299-32570	5	8
	9	28
114299-35110	5	11
114299-35150	1	32
114299-45220	6	1
114299-45301	6	7
114299-45310	6	8
114299-45330	6	9

PARTS No.	Fig.	Ref.No.
114299-45350	6	10
114299-59850	7	57
114299-61190	5	15
114299-61600	5	28
114299-66200	5	48
114299-83020	7	56
114299-92590	9	5
114299-92600	9	6
114299-92710	9	7
114299-92720	9	8
114299-92730	9	9
114299-92740	9	10
114339-53100	7	24
114350-02100	1	30
114350-02113	1	40
114350-02200	1	45
114350-02210	1	46
114350-11340	2	25
	9	23
114351-77520	8	37
114362-77011	8	1
114371-77160	8	7
114371-77170	8	13
114371-77180	8	14
114371-79040	8	8
114371-79050	8	9
114371-79060	8	10
114371-79070	8	17
114380-23100	4	44
114381-77110	8	2
114381-77130	8	5
114381-77140	8	6
114381-77151	8	12
114395-01330	9	12
114395-01340	1	5
114399-01380	1	6
	9	18
114399-01410	1	26
	9	19
114399-13520	3	18
114399-21590	4	23
114399-21600	4	26
114399-21980	9	35
114399-22300	4	36
114399-45320	6	3
114399-45340	6	4
114399-77400	8	23
114399-77540	8	25
114399-77550	8	21
114399-77710	8	27

PARTS No.	Fig.	Ref.No.
114399-78260	8	30
114399-78730	8	31
114399-78740	8	32
114650-51300	7	12
114699-01760	1	35
114770-07450	3	9
114770-61520	5	27
114770-61610	5	29
114771-11461	9	24
114780-61090	5	55
118200-23200	4	41
124195-77770	8	16
124298-77020	8	15
124550-51350	7	17
129100-77510	9	32
160110-02220	1	41
		42
160710-78710	8	33
183250-07480	9	2
183250-39450	1	47
183250-66321	5	38
183250-66331	5	39
183250-66341	5	40
183250-66361	5	42
183250-66371	5	43
714210-21720	4	13
714210-23701	4	38
714210-28510	4	45
714210-61701	5	30
714220-14580	4	1
714220-22580	4	57
714220-22620	4	51
714220-22720	4	28
714239-51310	7	1
714239-53200	7	22
714870-22502	4	30
714870-22542	4	53
714870-22552	4	59
X2114274200	8	18
X2114715500	8	4
X2114811000	8	3
X211485016	8	11



YANMAR CO.,LTD.