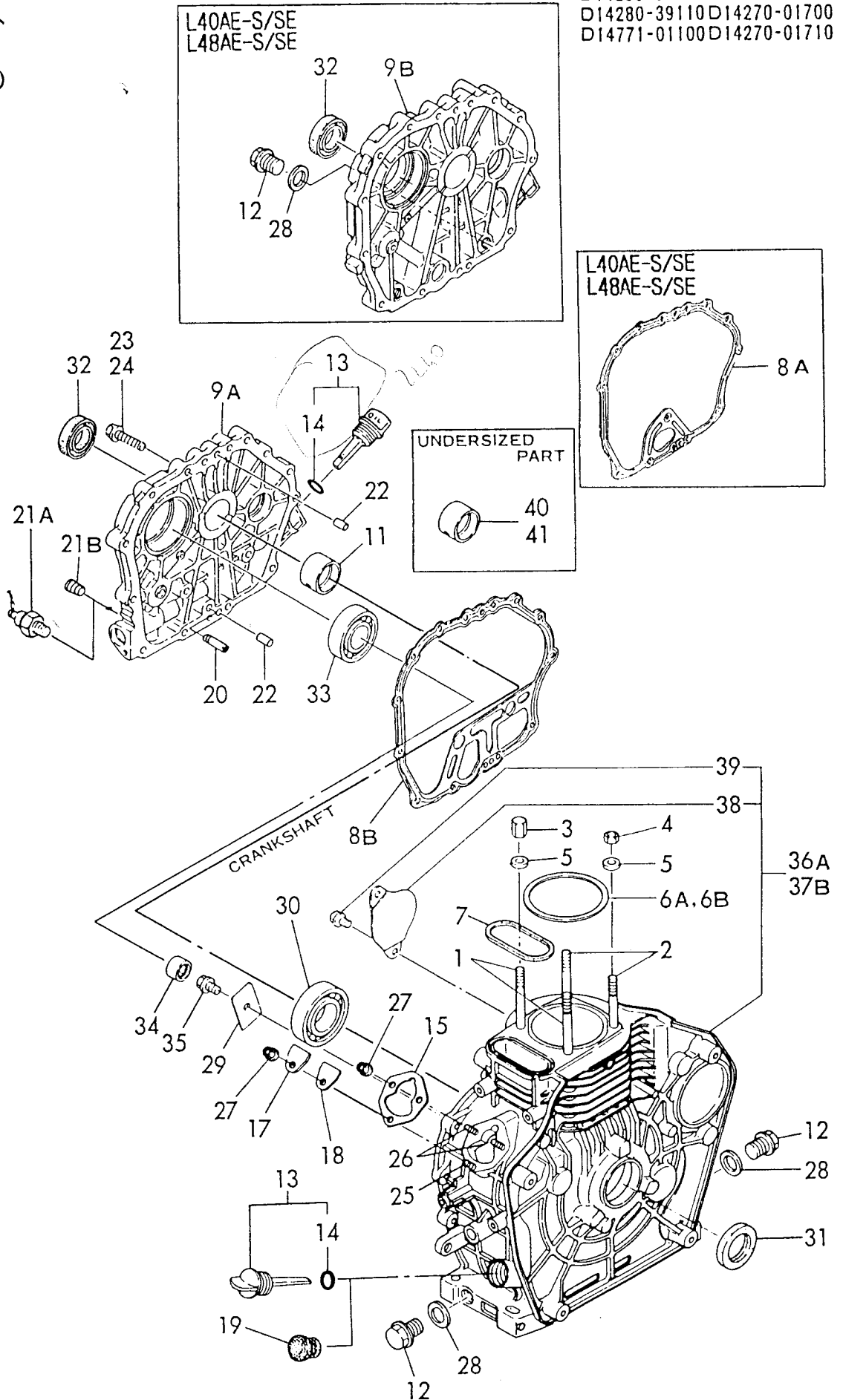


YANMAR
L48AE
IS 2500

(C)

Fig. 1 CYLINDER BLOCK

SPEC. CODE
D14278-01700 D14270-01100
D14278-01710 D14271-01100
D14250-02100 D14270-01500
D14280-39100 D14280-01500
D14280-39110 D14270-01700
D14771-01100 D14270-01710



+-----+
 I 1B03 I
 I(1B02)I
 +-----+
 Y00R3981

(1) CYLINDER BLOCK

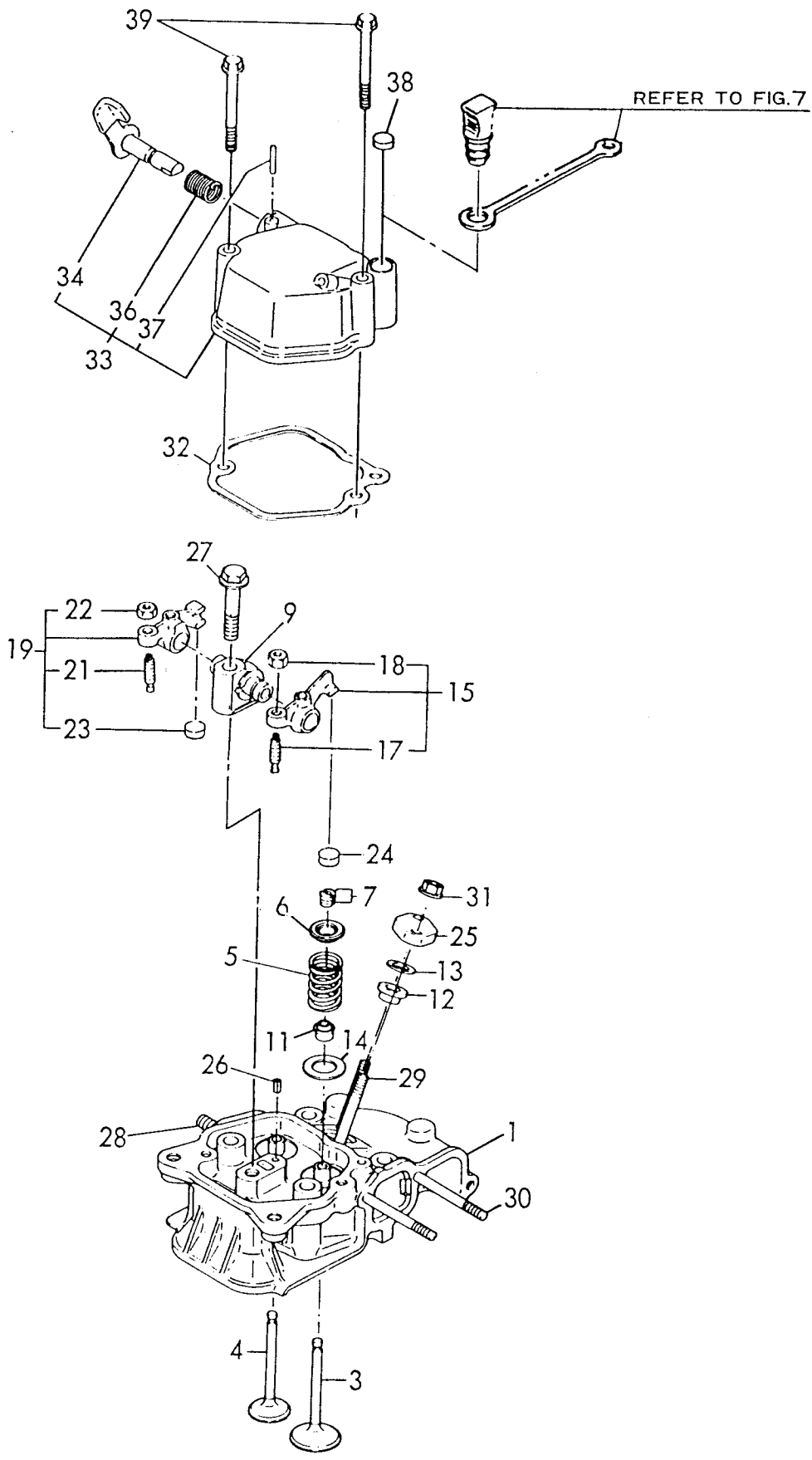
(A)= (D)=
 (B)=L40AE-D/DE (E)=L40AE-S/SE
 (C)=L48AE-D/DE (F)=L48AE-S/SE

REF. NO.	LEV. 0	PART NO.	DESCRIPTION	-----Q'TY-----						I P/U A R
				(A)	(B)	(C)	(D)	(E)	(F)	
1	.	114250-01200	STUD, CYL. HEAD	2	2			2	2	
2	.	114250-01210	STUD, CYL. HEAD	2	2			2	2	
3	.	114250-01220	NUT 8	2	2			2	2	
4	.	114250-01250	NUT 8	2	2			2	2	
5	.	124950-01250	WASHER	4	4			4	4	
6A	.	114250-01340	GASKET, CYL. HEAD	1				1		
6B	.	114770-01340	GASKET, CYL. HEAD			1				1
7	.	114250-01380	O-RING	1	1			1	1	
8A	.	114250-01411	GASKET, CRANK CASE					1	1	
8B	.	114250-01412	GASKET, CRANK CASE	1	1					
9A	.	114260-01453	COVER (D),CRANK CASE	1	1					
9B	.	114250-01452	COVER (S),CRANK CASE					1	1	
11	.	114250-02100	BEARING, MAIN	1	1			1	1	
12	.	105425-01690	PLUG M16	2	2			3	3	
13	.	160710-01760	CAP, W/LUB.OIL GAUGE	2	2			2	2	
14	..	24311-000180	O-RING 1A P-18.0	2	2			2	2	
15	.	114250-01800	SHIM SET	1	1			1	1	
17	.	114250-01830	COVER, INSPEC.WINDOW	1	1			1	1	
18	.	114250-01840	GASKET	1	1			1	1	
19	.	160110-01870	PLUG, RUBBER W/SCREW	1	1			1	1	
20	.	114250-35150	PIPE, L.O. INLET	1	1					
21A	.	183250-39450	SWITCH, OIL PRESSURE	1						(Y)
21B	.	23871-010000	PLUG PT1/8,SCREW	1	1			1	1	
22	.	22312-080120	PARALLEL PIN 8X12	2	2			2	2	
23	.	26106-060252	BOLT M 6X 25 PLATED	14	14			14	14	
24	.	26106-080352	BOLT M 8X 35 PLATED	1	1			1	1	
25	.	26226-060182	STUD M 6X 18 PLATED	1	1			1	1	
26	.	26226-060222	STUD M 6X 22 PLATED	2	2			2	2	
27	.	26366-060002	NUT M 6	3	3			3	3	
28	.	43400-500490	SEAL WASHER 16	4	4			3	3	
29	.	114250-02030	RETAINER, BEARING	1	1			1	1	
30	.	114250-02113	BALL BEARING	1	1			1	1	
31	.	160110-02220	SEAL, OIL	1	1			1	1	
32	.	160210-02220	SEAL, OIL	1	1			1	1	
33	.	24101-062050	BALL BEARING	1	1			1	1	
34	.	24162-152112	NEEDLE BEARING	1	1			1	1	
35	.	26106-080122	BOLT M 8X 12 PLATED	1	1			1	1	
36A	.	714271-01560	BLOCK ASSY, CYLINDER	1				1		
36B	.	714771-01560	BLOCK ASSY, CYLINDER		1				1	
38	..	114350-01700	COVER, STARTER	1	1			1	1	
39	..	26106-100122	BOLT M10X 12 PLATED	2	2			2	2	
40	.	114250-02200	MAIN BEARING US=0.25	1	1			1	1	(H)
41	.	114250-02210	MAIN BEARING US=0.50	1	1			1	1	(H)

----- REMARKS -----

I (Y) FOR L40AE-DGMO/DEGMO
 I (H) UNDER SIZED PARTS

Fig. 2 CYLINDER HEAD & BONNET



+-----+
 I 1804 I
 I(1802)I
 +-----+
 YOOR3981

(2) CYLINDER HEAD & BONNET

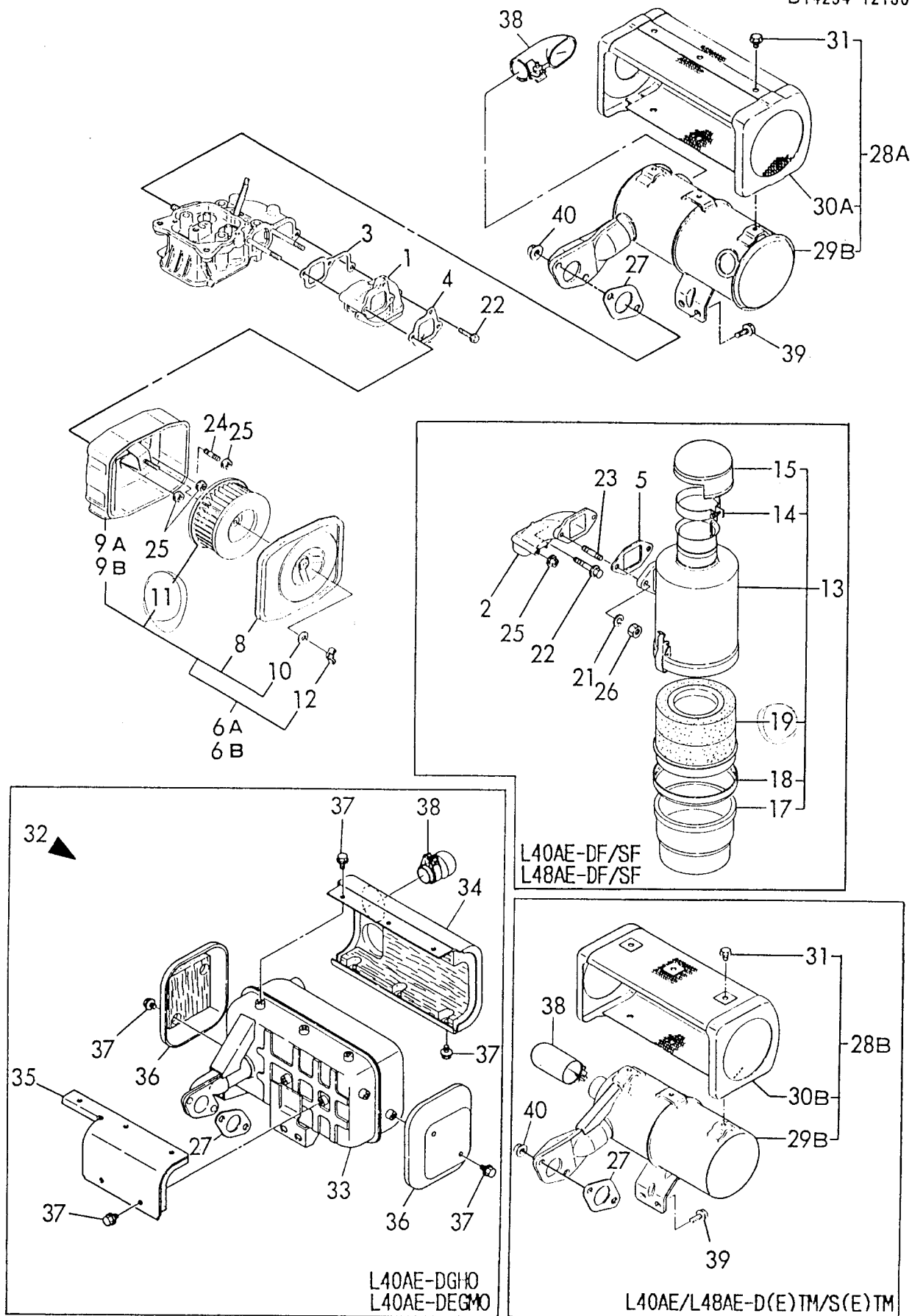
(A)= (D)=
 (B)=L40AE-D/DE (E)=L40AE-S/SE
 (C)=L48AE-D/DE (F)=L48AE-S/SE

REF. NO.	LEV. 0	PART NO.	DESCRIPTION	-----Q'TY-----						I	P/U	A	R
				(A)	(B)	(C)	(D)	(E)	(F)				
1	.	114250-11020	HEAD ASSY, CYLINDER	1	1			1	1				
3	.	114250-11101	VALVE, SUCTION	1	1			1	1			197561	
4	.	114250-11113	VALVE, EXHAUST	1	1			1	1			197562	
5	.	114250-11120	SPRING, VALVE	2	2			2	2				
6	.	114250-11180	RETAINER, SPRING	2	2			2	2				
7	.	X 714250-11570	COTTER	2	2			2	2				
9	.	114250-11290	SUPPORT, ROCKER ARM	1	1			1	1				
11	.	114250-11340	SEAL, VALVE STEM	2	2			2	2				
12	.	114250-11460	GASKET, NOZZLE	1	1			1	1				
13	.	114350-11470	SPACER, NOZZLE	1	1			1	1				
14	.	114250-11600	WASHER	2	2			2	2				
15	.	114250-11651	ARM ASSY, INTAKE	1	1			1	1				
17	..	114250-11240	SCREW, VALVE ADJUST.	1	1			1	1				
18	..	26756-060002	LOCK NUT M 6 PLATED	1	1			1	1				
19	.	714270-11660	ARM ASSY, EXHAUST	1	1			1	1				
21	...	114250-11240	SCREW, VALVE ADJUST.	1	1			1	1				
22	...	26756-060002	LOCK NUT M 6 PLATED	1	1			1	1				
23	..	X 119260-11370	CAP, VALVE	1	1			1	1				
24	.	119260-11370	CAP, VALVE	1	1			1	1				
25	.	114250-11900	RETAINER, NOZZLE	1	1			1	1				
26	.	22351-040008	SPRING PIN 4X 8	1	1			1	1				
27	.	26106-080452	BOLT M 8X 45 PLATED	1	1			1	1				
28	.	26216-080182	STUD M 8X 18 PLATED	2	2			2	2				
29	.	26226-060502	STUD M 6X 50	2	2			2	2				
30	.	26226-060552	STUD M 6X 55	2	2			2	2				
31	.	26366-060002	NUT M 6	2	2			2	2				
32	.	114250-11310	GASKET, BONNET	1	1			1	1				
33	.	114250-11951	BONNET ASSY, HEAD	1	1			1	1				
34	..	114250-03591	SHAFT ASSY, DECOMP.	1	1			1	1				
36	..	114250-03640	SPRING	1	1			1	1				
37	..	22312-030160	PARALLEL PIN 3X16	1	1			1	1				
38	.	129100-61850	PLUG (12)	1	1			1	1				
39	.	26106-060552	BOLT M 6X 55 PLATED	2	2			2	2				

----- REMARKS -----

Fig. **3** AIR CLEANER & MUFFLER

SPEC. CODE
 D14250-13100
 D14272-13150
 D14250-12110
 D14252-12130
 D14254-12130



+-----+
 I 1B05 I
 I(1B02)I
 +-----+
 YOOR3981

(3) AIR CLEANER & MUFFLER

(A)= (D)=
 (B)=L40AE-D/DE (E)=L40AE-S/SE
 (C)=L48AE-D/DE (F)=L48AE-S/SE

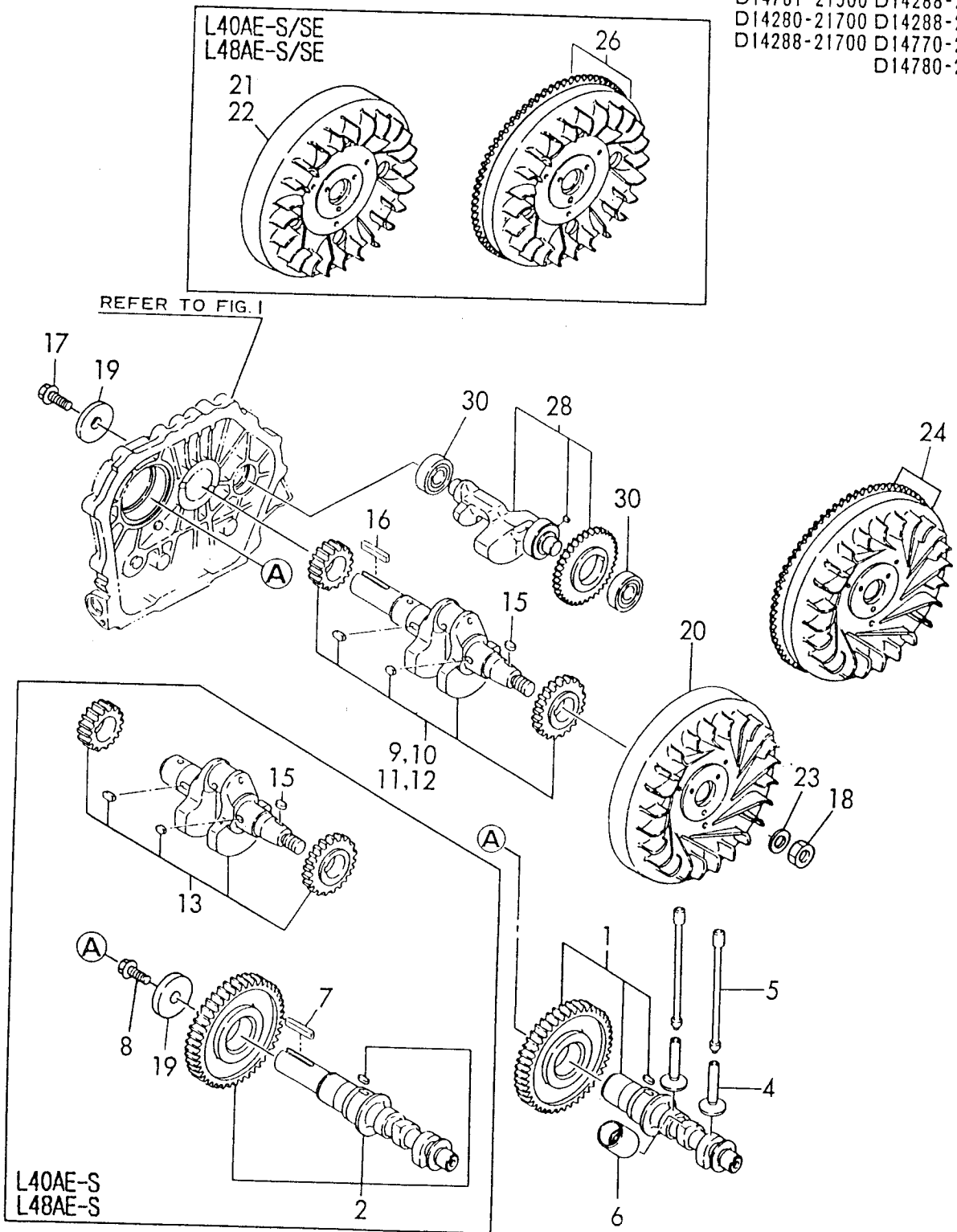
REF. NO.	LEV. 0	PART NO.	DESCRIPTION	-----Q'TY-----						I P/U A R
				(A)	(B)	(C)	(D)	(E)	(F)	
1	.	114250-12010	PIPE, AIR INTAKE	1	1		1	1		
2	.	114252-12010	PIPE, AIR INTAKE	1	1		1	1		(#)
3	.	114250-12200	GASKET, AIR INTAKE	1	1		1	1		
4	.	114250-12210	GASKET, AIR CLEANER	1	1		1	1		
5	.	114252-12210	GASKET, AIR CLEANER	1	1		1	1		(#)
6A	.	714250-12560	CLEANER ASSY, AIR	1	1		1	1		
6B	.	714268-12581	CLEANER ASSY, AIR	1	1					(H)
8	...	114250-12520	COVER, AIR CLEANER	1	1		1	1		
9A	...	114250-12530	CASE, AIR CLEANER	1	1		1	1		
9B	...	114250-12980	CASE, AIR CLEANER	1	1					(H)
10	...	114250-12560	WASHER, SEAL	1	1		1	1		
(11)	...	114250-12580	ELEMENT, WET AIR	1	1		1	1		
12	..	114250-12550	WING NUT M6	1	1		1	1		
(13)	.	114252-12700	CLEANER ASSY.OILBATH	1	1		1	1		(#)
14	..	160820-12300	BAND	1	1		1	1		(#)
15	..	114252-12660	CAP,AIRCLEANER	1	1		1	1		(#)
17	..	160820-12770	POT, OIL AIR CLEANER	1	1		1	1		
18	..	160820-12780	RING	1	1		1	1		
(19)	..	114252-12860	ELEMENT, AIR CLEANER	1	1		1	1		(#)
21	.	22217-080000	SPRING WASHER 8	2	2		2	2		
22	.	26106-060252	BOLT M 6X 25 PLATED	1	1		1	1		
23	.	26216-080182	STUD M 8X 18 PLATED	2	2		2	2		
24	.	26226-060142	STUD M 6X 14 PLATED	1	1		1	1		
25	.	26366-060002	NUT M 6	3	3		3	3		
26	.	26716-080002	NUT M 8	2	2		2	2		
27	.	114250-13200	GASKET, MUFFLER	1	1		1	1		
28A	.	114250-13521	MUFFLER W/COVER	1	1		1	1		
28B	.	114268-13500	MUFFLER W/COVER	1	1		1	1		(%)
29A	..	114250-13531	MUFFLER	1	1		1	1		
29B	..	114268-13510	MUFFLER	1	1		1	1		(%)
30A	..	114250-13701	COVER, MUFFLER	1	1		1	1		
30B	..	114268-13700	COVER, MUFFLER	1	1		1	1		(%)
31	..	26106-060082	BOLT M 6X 8 PLATED	6	6		6	6		
32	.	114770-13550	MUFFLER ASSY	1						(T)
33	..	114770-13560	MUFFLER	1						(T)
34	..	114870-13700	COVER(A), MUFFLER	1						(T)
35	..	114870-13710	COVER(B), MUFFLER	1						(T)
36	..	114870-13720	COVER(C), MUFFLER	2						(T)
37	..	26106-060082	BOLT M 6X 8 PLATED	12						(T)
38	.	114268-13800	EXTENSION, EXH.	1	1		1	1		(%)
39	.	26106-060122	BOLT M 6X 12 PLATED	2	2		2	2		
40	.	26366-080002	NUT 8	2	2		2	2		

REMARKS

I (#) FOR L40AE/48AE-D(E)F/S(E)F
 I (H) FOR L40AE/48AE-D(E)V
 I (T) L40AE-DGMO/DEGMO
 I (%) L40AE/L48AE-D(E)TM/S(E)TM
 I & L40AE-D(E)GMO

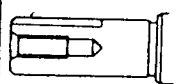

Fig. 4 CRANKSHAFT & CAMSHAFT

SPEC. CODE
 D14770-21500 D14773-14100
 D14771-21500 D14780-14100
 D14780-21500 D14288-21100
 D14781-21500 D14288-21110
 D14280-21700 D14288-21120
 D14288-21700 D14770-21100
 D14780-21100



L40AE-S
L48AE-S

L40AE-D/L48AE-D
CRANK SHAFT

Ref. No.	MAGNIFIED AXIAL END	SCREW SIZE	KEY SIZE	Ref. No.	MAGNIFIED AXIAL END	SCREW SIZE
9		5/16-24UNF	4.7×30	12		3/4-16UNF
11		M8×1.25	5×30			
				10		5/16-24UNF

+-----+
 I 1806 I
 I(1802)I
 +-----+
 Y00R3981

(4) CAM/CRANK/BARANCER SHAFT

(A)= (D)=
 (B)=L40AE-D/DE (E)=L40AE-S/SE
 (C)=L48AE-D/DE (F)=L48AE-S/SE

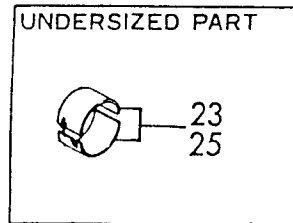
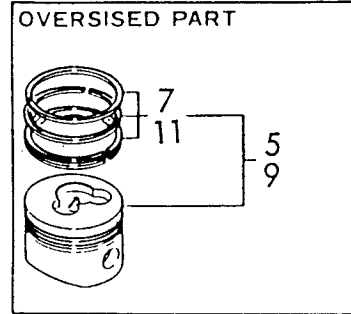
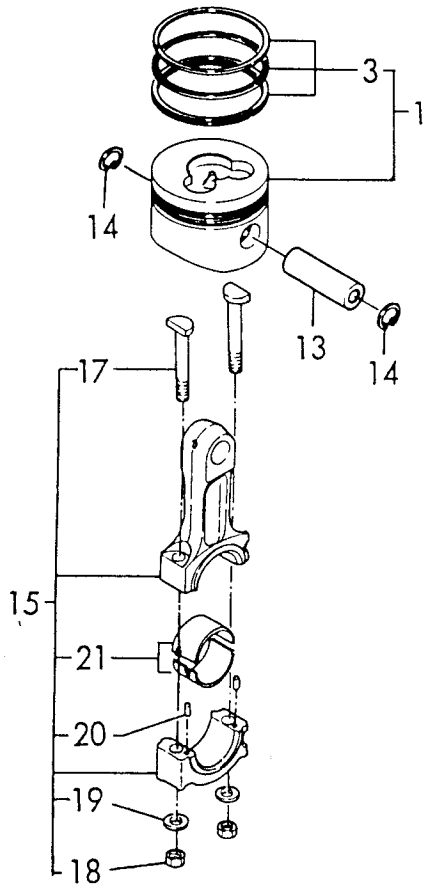
REF. NO.	LEV. 0	PART NO.	DESCRIPTION	-----Q'TY-----						I P/U A R
				(A)	(B)	(C)	(D)	(E)	(F)	
1	.	714780-14580	CAMSHAFT(D) ASSY.	1	1					
2	.	714770-14580	CAMSHAFT(S) ASSY.					1	1	
4	.	114250-14200	TAPPET, SUC./EXH.	2	2			2	2	
5	.	114250-14450	ROD, PUSH	2	2			2	2	
6	.	114250-14260	TAPPET, FUEL	1	1			1	1	
7	.	22512-050300	KEY 5X 30					1	1	
8	.	26106-080202	BOLT M 8X 20 PLATED					1	1	
9	.	714288-21700	CRANKSHAFT ASY (D/DE	1	1					(H)
10	.	714288-21730	CRANKSHAFT ASY (DGMO	1						(T)
11	.	714288-21740	CRANKSHAFT ASY(DV/DF	1	1					(Y)
12	.	714288-21760	CRANKSHAFT ASY (DP)	1	1					(X)
13	.	714278-21710	CRANKSHAFT ASSY(S)					1	1	
15	.	22512-040120	KEY 4X 12	1	1			1	1	
16	.	160642-21150	KEY 4.7X30	1	1					
17	.	160642-21250	BOLT 5/15-24UNF	1	1					
18	.	103854-01221	NUT M16	1	1			1	1	
19	.	160310-14550	WASHER	1	1			1	1	
20	.	114780-21400	FLYWHEEL (D)	1	1					
21	.	114770-21400	FLYWHEEL (S)					1	1	
22	.	114770-21410	FLYWHEEL (SF)					1	1	(#)
23	.	114250-21550	WASHER, FLYWHEEL	1	1			1	1	
24	.	114781-21590	FLYWHEEL(DE) W/GEAR	1	1					
26	.	114771-21590	FLYWHEEL(SE) W/GEAR					1	1	
28	.	714770-28510	SHAFT ASSY, BALANCER	1	1			1	1	
30	.	24101-062024	BALL BEARING	2	2			2	2	

----- REMARKS -----

I(Y) FOR L40AE/48AE-D(E)F & L40AE/
 I 48AE-D(E)V
 I(T) FOR L40AE-DGMO/DEGMO
 I(#) FOR L40AE/48AE-SF/SEF
 I(H) FOR L40AE/48AE-D/DE & L40AE/48AE-
 I D(E)TM/S(E)TM
 I(X) FOR L40AE/48AE-D(E)P

Fig. **5** PISTON & CONNECTING ROD

SPEC. CODE
D14270-22100
D14280-22100
D14250-23100



+-----+
 I 1B07 I
 I(1B02)I
 +-----+
 Y00R3981

(5) PISTON & ROD

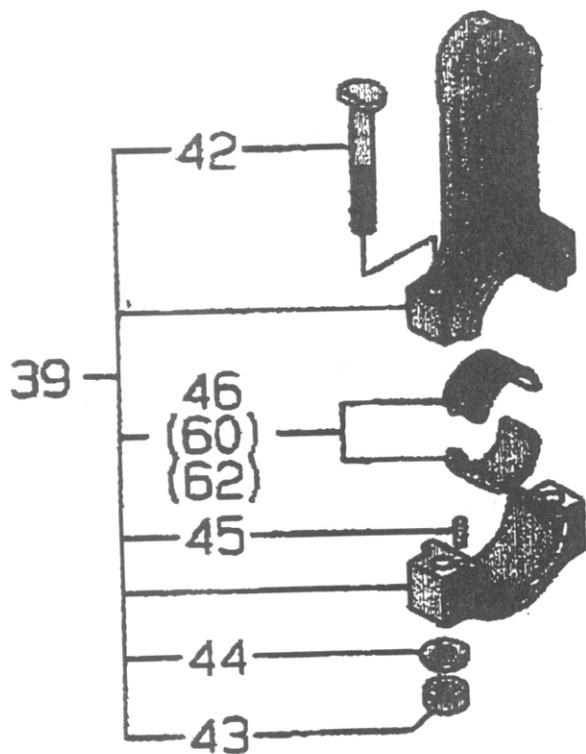
(A)= (D)=
 (B)=L40AE-D/DE (E)=L40AE-S/SE
 (C)=L48AE-D/DE (F)=L48AE-S/SE

REF. NO.	LEV. 0	PART NO.	DESCRIPTION	-----Q'TY-----						I	P/U	A	R
				(A)	(B)	(C)	(D)	(E)	(F)				
1A	.	714280-22720	PISTON W/RINGS		1								
1B	.	714780-22720	PISTON W/RINGS			1							
1C	.	714270-22720	PISTON W/RINGS						1				
1D	.	714770-22720	PISTON W/RINGS								1		
3A	..	714250-22502	RING SET, PISTON	1				1					
3B	..	714770-22500	RING SET, PISTON <i>97582</i>			1					1		
5A	.	714280-22620	PISTON W/RING OS=.25	1									(H)
5B	.	714780-22620	PISTON W/RINGS(OS.25			1							(H)
5C	.	714270-22620	PISTON W/RING(OSO.25						1				(H)
5D	.	714770-22620	PISTON W/RING(OS=.25								1		(H)
7A	..	714250-22542	RING SET O.S=0.25	1				1					(H)
7B	..	714770-22540	RING SET O.S=0.25			1					1		(H)
9A	.	714280-22580	PISTON W/RING OS=0.5	1									(H)
9B	.	714780-22580	PISTON W/RINGS(OS.5			1							(H)
9C	.	714270-22580	PISTON W/RING(OSO.50						1				(H)
9D	.	714770-22580	PISTON W/RING(OS=0.5								1		(H)
11A	..	714250-22550	RING SET O.S=0.50	1				1					(H)
11B	..	714770-22550	RING SET O.S=0.50			1					1		(H)
13	.	114250-22302	PIN, PISTON D=19	1	1			1	1				
14	.	22252-000190	CIRCLIP 19	2	2			2	2				
15	.	714250-23703	ROD ASSY, CONNECTING	1	1			1	1				
17	...	114250-23200	BOLT, ROD	2	2			2	2				
18	...	114250-23220	NUT, ROD BOLT	2	2			2	2				
19	...	114250-23250	WASHER	2	2			2	2				
20	...	22312-030080	PARALLEL PIN 3X 8	2	2			2	2				
21	..	714250-23600	BEARING, CRANKPIN	1	1			1	1				
23	.	714250-23610	BEARING, PIN(U.S=0.25	1	1			1	1				(H)
25	.	714250-23620	BEARING, PIN(U.S=0.50	1	1			1	1				(H)

REMARKS

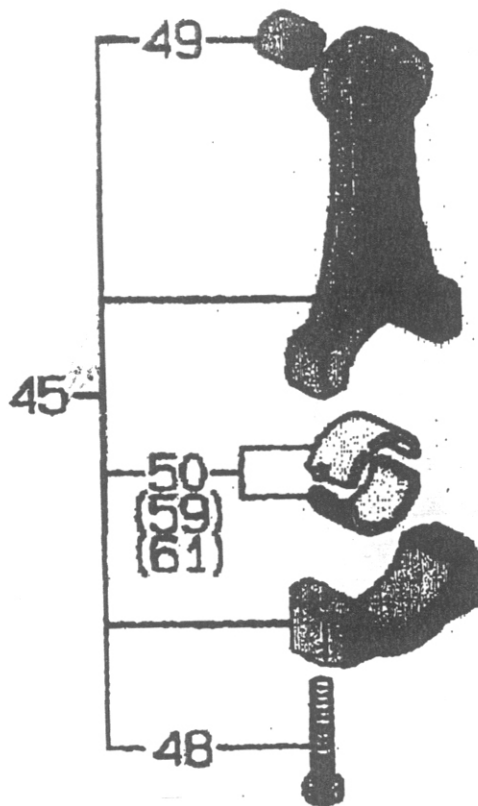
(H) OVERSIZED & UNDERSIZED PARTS

Comparazione Bielle L48 Alluminio/Acciaio



Biella alluminio L48

- 39 / Ass. Biella alluminio 714250-23703
- 42 / Prigioniero biella 114250-23200
- 46 / Bronzina biella STD 714250-23600 *97569*
- 60 / Bronzina biella (+0.25) 714250-23610
- 62 / Bronzina biella (+0.50) 714250-23620
- 45 / Spina di centraggio 22312-030080
- 44 / Rondella M6 (Acciaio) 114250-23250
- 43 / Dado M6 (Acciaio) 114250-23220



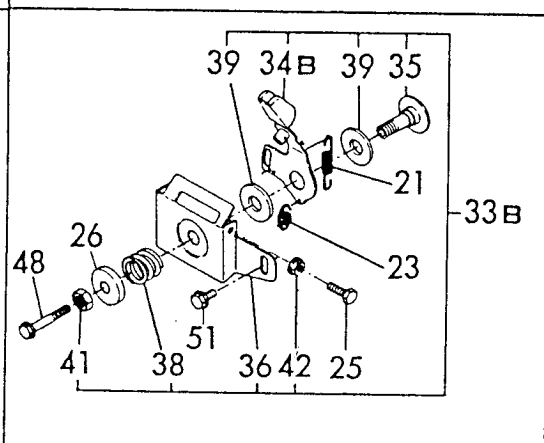
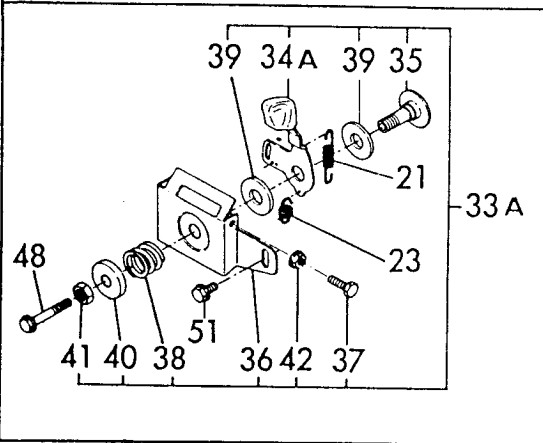
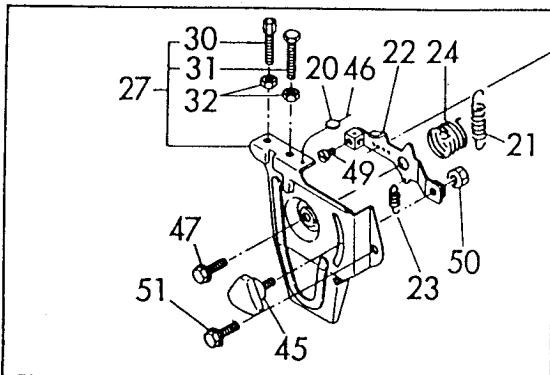
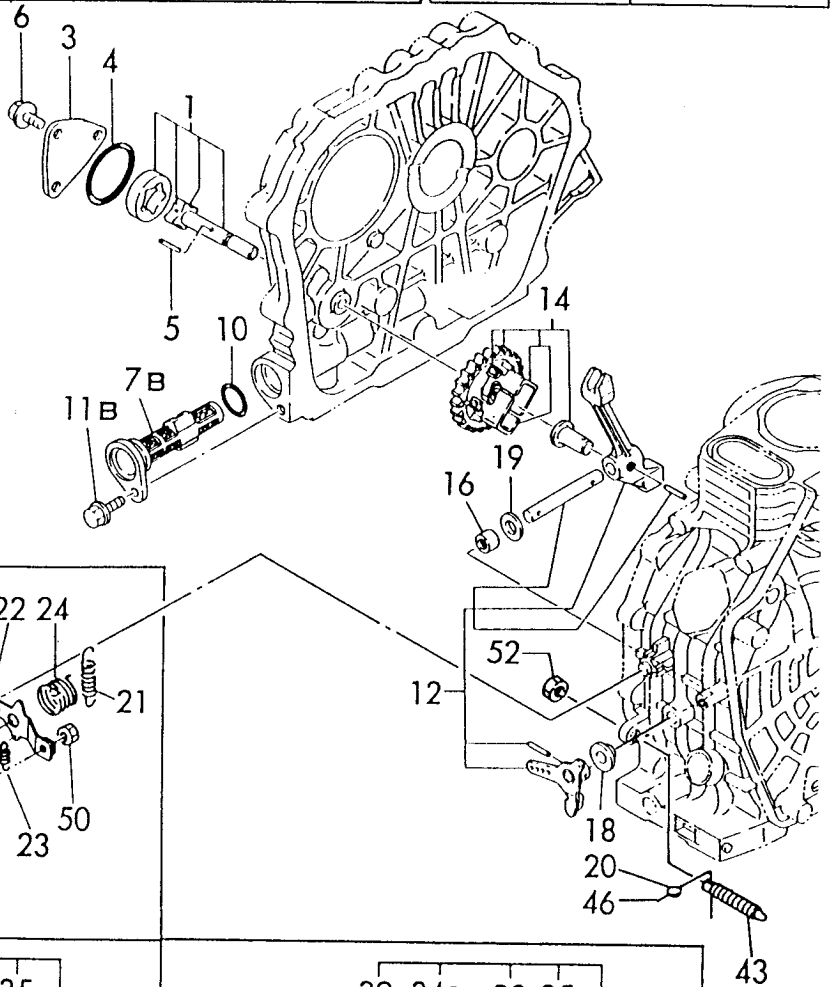
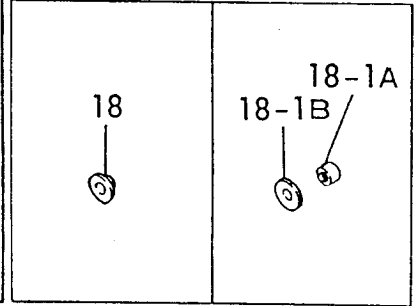
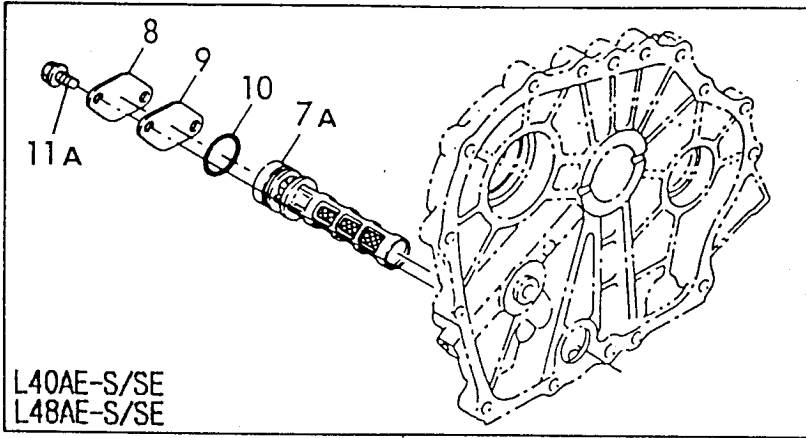
Biella acciaio L48

- 45 / Ass. biella acciaio L48 714770-23700
- 49 / Boccola biella 714770-23100
- 50 / Bronzina biella STD 714770-23600 *ACQUA*
- 59 / Bronzina biella (+0.25) 714770-23610
- 61 / Bronzina biella (+0.50) 714770-23620
- 48 / Bullone biella 119265-23200

N.B. le bronzine non sono intercambiabili avendo i fermi contrapposti

Fig. 6 LUB. OIL PUMP & GOVERNOR

SPEC. CODE
 D14770-32100
 D14250-35100
 D14250-35110
 D14770-61100
 D14770-66110
 D14770-66120
 D14770-66130
 D14270-66500
 D14270-66800



+-----+
 I 1B08 I
 I(1B02)I
 +-----+
 YOOR3981

(6) L.O. DEVICE & GOVERNOR CONTROL

(A)= (D)=
 (B)=L40AE-D/DE (E)=L40AE-S/SE
 (C)=L48AE-D/DE (F)=L48AE-S/SE

REF. NO.	LEV. 0	PART NO.	DESCRIPTION	-----Q'ITY-----						I P/U A R
				(A)	(B)	(C)	(D)	(E)	(F)	
1	.	114250-32010	PUMP ASSY, LUB.OIL		1	1		1	1	
3	.	114250-32070	COVER, LUB. OIL PUMP		1	1		1	1	
4	.	103338-32570	O-RING		1	1		1	1	
5	.	22312-030160	PARALLEL PIN 3X16		1	1		1	1	
6	.	26476-060142	BOLT M 6X 14,TAPPING		3	3		3	3	
7A	.	114250-35060	STRAINER, LUB. OIL					1	1	
7B	.	114250-35070	STRAINER, LUB. OIL	97536	1	1				
8	.	114250-35250	COVER					1	1	
9	.	114250-35270	GASKET, L.O.STRAINER					1	1	
10	.	24341-000224	O-RING 1A S-22.4		1	1		1	1	
11A	.	26106-060122	BOLT M 6X 12 PLATED					2	2	
11B	.	26106-060162	BOLT M 6X 16 PLATED		1	1				
12	.	714250-61500	LEVER ASSY, GOVERNOR		1	1		1	1	
14	.	714770-61700	GOVERNOR ASSY		1	1		1	1	
16	.	121450-61520	NEEDLE BEARING FJ810		2	2		2	2	
18	.	114250-61900	BUSH, THRUST		1	1		1	1	
18-1A	.	114770-61600	SEAL, OIL		1	1		1	1	F
		(B=X)								
18-1B	.	114770-61610	WASHER		1	1		1	1	F
		(B=X)								
19	.	22137-080000	WASHER 8, POLISHED		1	1		1	1	
20	.	135210-61090	LEAD		2	2		2	2	
21	.	114770-66010	SPRING, REGULATOR		1	1		1	1	
22	.	114250-66050	HANDLE, REGULATOR		1	1		1	1	
23	.	114250-66200	SPRING, RETURN		1	1		1	1	
24	.	114252-66252	SPRING, RETURN		1	1		1	1	
25	.	114250-66440	BOLT, ADJUSTING		1	1				(Y)
26	.	114254-66220	SUPPORT		1	1				(Y)
27*	.	714268-66500	BRACKET ASSY,REGULAT		1	1		1	1	
30	...	102100-67080	BOLT, ADJUSTING		1	1		1	1	
31	...	114250-66440	BOLT, ADJUSTING		1	1		1	1	
32	..	26756-060002	LOCK NUT M 6 PLATED		2	2		2	2	
33A	.	183250-66500	BRACKET ASSY,REGULAT		1	1				(H)
33B	.	114254-66200	BRACKET ASSY,REGULAT		1	1				(Y)
34A	..	183250-66050	HANDLE, REGULATOR		1	1				(H)
34B	..	114254-66210	HANDLE, REGULATOR		1	1				(Y)
35	..	183250-66070	SHAFT, HANDLE		1	1				(H)
36	..	183250-66100	BRACKET, REGULATOR		1	1				(H)
37	..	114250-66440	BOLT, ADJUSTING		1	1				(H)
38	..	104200-66820	SPRING		1	1				(H)
39	..	104200-66830	PLATE, FRICTION		2	2				(H)
40	..	104200-66850	WASHER (B)		1	1				(H)
41	..	26696-100002	NUT M10		1	1				(H)
42	..	26756-060002	LOCK NUT M 6 PLATED		1	1				(H)
43	.	114250-66550	TORQUE SPRING ASSY		1	1		1	1	
45	.	160725-78350	KNOB (W/M6X15)		1	1		1	1	
46	.	22451-060000	WIRE 0.6		2	2		2	2	
47	.	26106-060202	BOLT M 6X 20 PLATED		1	1		1	1	
48	.	26106-060452	BOLT M 6X 45 PLATED		1					(#)
49	.	26116-040088	BOLT M 4X 8 PLATED		1	1		1	1	
50	.	26346-060002	U-NUT M 6 PLATED		1	1		1	1	
51	.	26476-060142	BOLT M 6X 14,TAPPING		1	1		1	1	
52	.	26696-100002	NUT M10		1	1		1	1	

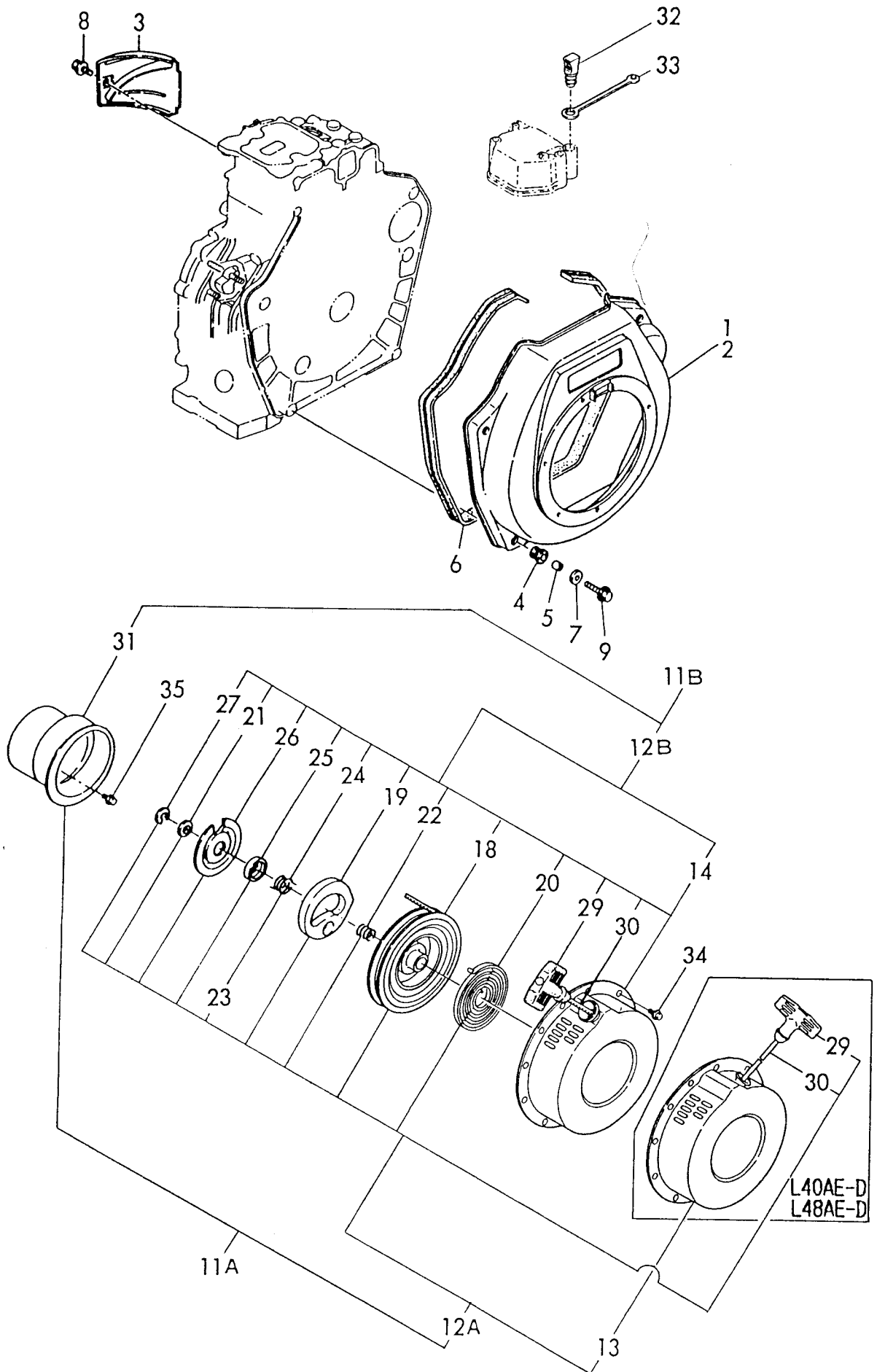
----- REMARKS -----

(H) FOR L40AE-DGMO/DEGMO L40AE/48AE-D(E)TM/S(E)TM
 (#) FOR L40AE-DGMO/DEGMO (Y) FOR L40AE/48AE-D(E)V

Y051636

Fig. 7 COOLING & STARTING DEVICE

SPEC. CODE
 D14770-45100
 D14780-45100
 D14250-76100
 D14260-76100



+-----+
 I 1B10 I
 I(1B02)I
 +-----+
 Y00R3981

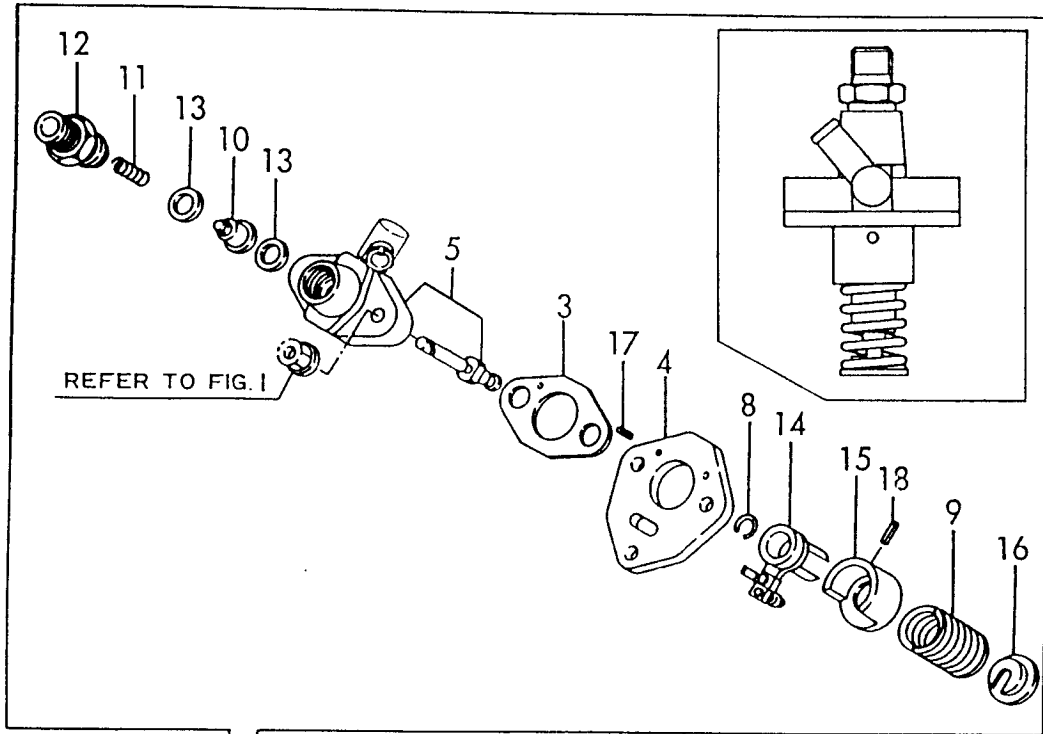
(7) COOLING & RECOIL STARTER

(A)= (D)=
 (B)=L40AE-D/DE (E)=L40AE-S/SE
 (C)=L48AE-D/DE (F)=L48AE-S/SE

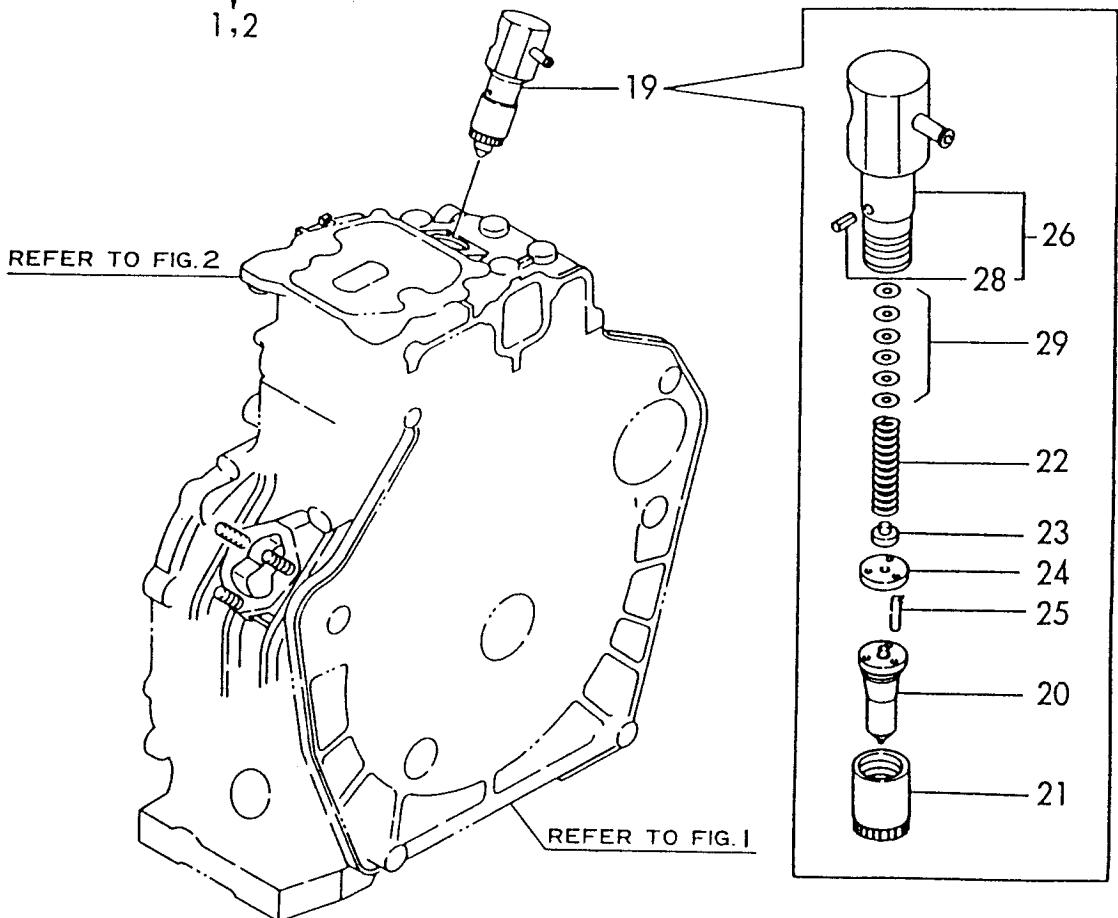
REF. NO.	LEV. 0	PART NO.	DESCRIPTION	-----Q'TY-----						I	P/U	A	R
				(A)	(B)	(C)	(D)	(E)	(F)				
1	.	114780-45100	CASE(D), COOLING FAN		1	1							
2	.	114770-45100	CASE(S), COOLING FAN					1	1				
3	.	114250-45211	COVER, CYLINDER		1	1		1	1				
4	.	114250-45300	RUBBER, CUSHION		4	4		4	4				
5	.	114250-45310	COLLAR		4	4		4	4				
6	.	114250-45330	SEAL, FAN CASE		1	1		1	1				
7	.	160120-76940	WASHER		4	4		4	4				
8	.	26476-060142	BOLT M 6X 14,TAPPING		1	1		1	1				
9	.	26476-060252	BOLT M 6X 25,TAPPING		4	4		4	4				
•11A	.	714260-76810	RECOIL STARTER(D)ASY		1	1							
11B	.	714250-76810	RECOIL STARTER(S)ASY					1	1				
12A	..	714260-76820	RECOIL STARTER(D)ASY		1								
12A-1	..	714260-76821 (B=X)	RECOIL STARTER(D)ASY		1	1					N		
12B	..	714250-76820	RECOIL STARTER(S)ASY					1					
12B-1	..	714250-76821	RECOIL STARTER(S)ASY					1	1		N		
						(E=X)							
13	...	714260-76830	CASE (D) W/LABEL		1								
13-1	...	714260-76831 (B=X)	CASE (D) W/LABEL		1	1					N		
14	...	714250-76830	CASE (S) W/LABEL					1					
14-1	...	714250-76831	CASE (S) W/LABEL					1	1		N		
						(E=X)							
17	114250-07350	LABEL, DIESEL		1	1		1	1				
18	...	160260-76520	REEL, RECOIL		1	1		1	1				
19	...	160260-76530	RATCHET		1	1		1	1				
20	...	160260-76540	SPRING, SPIRAL		1	1		1	1				
21	...	160260-76550	WASHER, THRUST		1	1		1	1				
22	...	160260-76560	SPRING, FRICTION		1	1		1	1				
23	...	160290-76570	SPRING, RETURN		1	1							
24	...	160260-76570	SPRING, RETURN					1	1				
25	...	160260-76580	COVER, SPRING		1	1		1	1				
26	...	160260-76590	PLATE, FRICTION		1	1		1	1				
27	...	160260-76600	CIRCLIP(E)		1	1		1	1				
29	...	160260-76620	KNOB, STARTER		1	1		1	1				
30	...	160260-76630	ROPE, STARTER		1	1		1	1				
31	..	114250-76590	PULLEY, STARTER		1	1		1	1				
32	.	114250-76600	PLUNGER		1	1		1	1				
33	.	114250-76610	HOLDER, PLUNGER		1	1		1	1				
34	.	26106-060082	BOLT M 6X 8 PLATED		4	4		4	4				
35	.	26106-060122	BOLT M 6X 12 PLATED		3	3		3	3				

Fig. 8 FUEL INJECTION PUMP & VALVE

SPEC. CODE
 D14250-51200
 D14250-53101
 D14260-51100



1,2



91.07.02

(8) FUEL INJECTION PUMP & VALVE

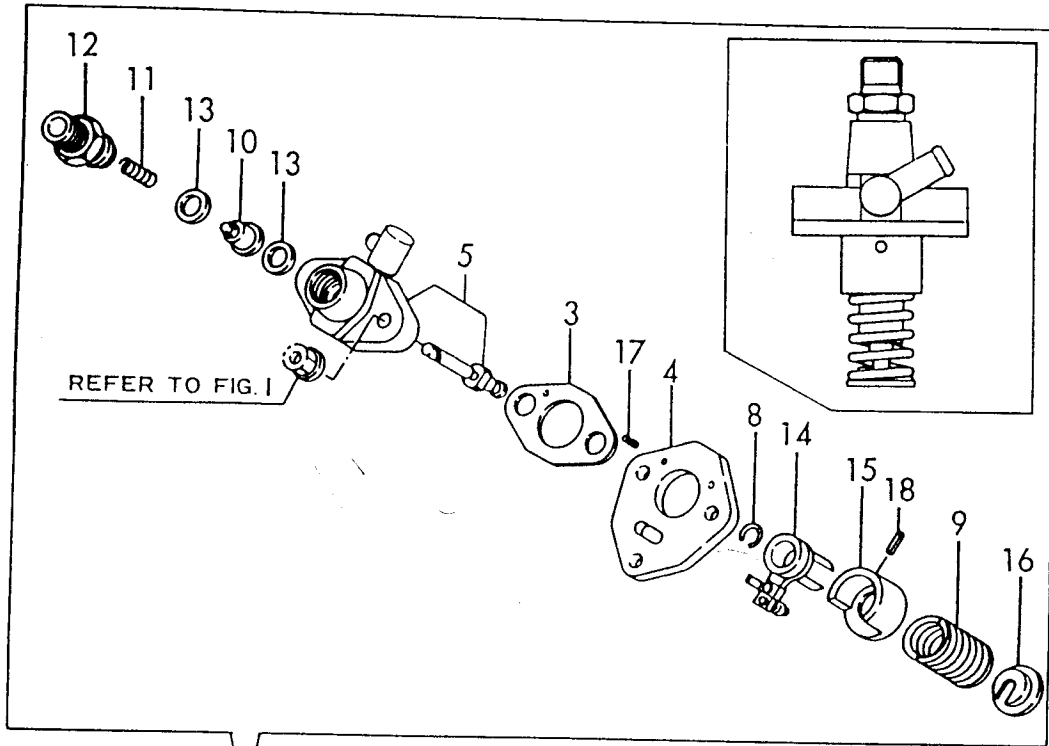
 +-----+
 | 1B11 |
 | (1B02) |
 +-----+
 Y00R3981

 (A)= (D)=
 (B)=L40AE-D/DE (E)=L40AE-S/SE
 (C)=L48AE-D/DE (F)=L48AE-S/SE

REF. NO.	LEV. O	PART NO.	DESCRIPTION	-----Q'ITY-----						I P/U A R
				(A)	(B)	(C)	(D)	(E)	(F)	
1	.	714250-51710	PUMP ASSY, F.INJECT.	1				1		
2	.	714770-51700	PUMP ASSY. F.INJECT.			1				1
3	..	105546-51020	GASKET	1	1			1	1	
4	..	114250-51080	PLATE	1	1			1	1	
5	..	114250-51200	BODY, F.I. PUMP	1	1			1	1	
8	..	114250-51150	SNAP RING	1	1			1	1	
9	..	114250-51160	SPRING	1	1			1	1	
10	..	114250-51300	VALVE ASSY, DELIVERY	1	1			1	1	
11	..	105546-51330	SPRING, DELIV. VALVE	1	1			1	1	
12	..	114250-51340	HOLDER, F.I.P.DELIVE	1	1			1	1	
13	..	124550-51350	GASKET, DELIVERY	2	2			2	2	
14	..	114250-51600	LEVER ASSY, CONTROL	1	1			1	1	
15	..	114250-51640	SEAT (A), SPRING	1	1			1	1	
16	..	114250-51650	SEAT (B), SPRING	1	1			1	1	
17	..	22351-020006	SPRING PIN 2X 6	2	2			2	2	
18	..	22351-030008	SPRING PIN 3X 8	1	1			1	1	
19	.	714250-53101	VALVE ASSY, F.INJECT	1	1			1	1	
20	..	114250-53001	NOZZLE ASSY, F.INJECT	1	1			1	1	
21	..	114250-53080	NUT, NOZZLE CASE	1	1			1	1	
22	..	114250-53120	SPRING, NOZZLE	1	1			1	1	
23	..	114250-53130	SEAT, NOZZLE SPRING	1	1			1	1	
24	..	114250-53140	PLATE, STOP	1	1			1	1	
25	..	114250-53210	PIN	2	2			2	2	
26	..	114250-53300	HOLDER ASSY, NOZZLE	1	1			1	1	
28	...	114250-53331	PIN, SPRING	1	1			1	1	
29	..	114250-53400	SHIM PACK	1	1			1	1	

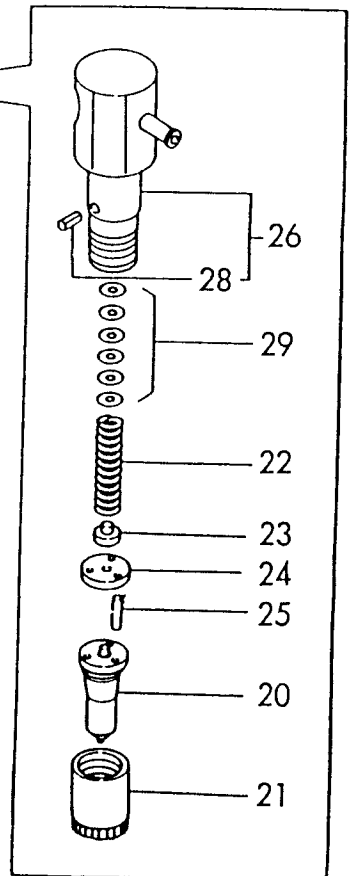
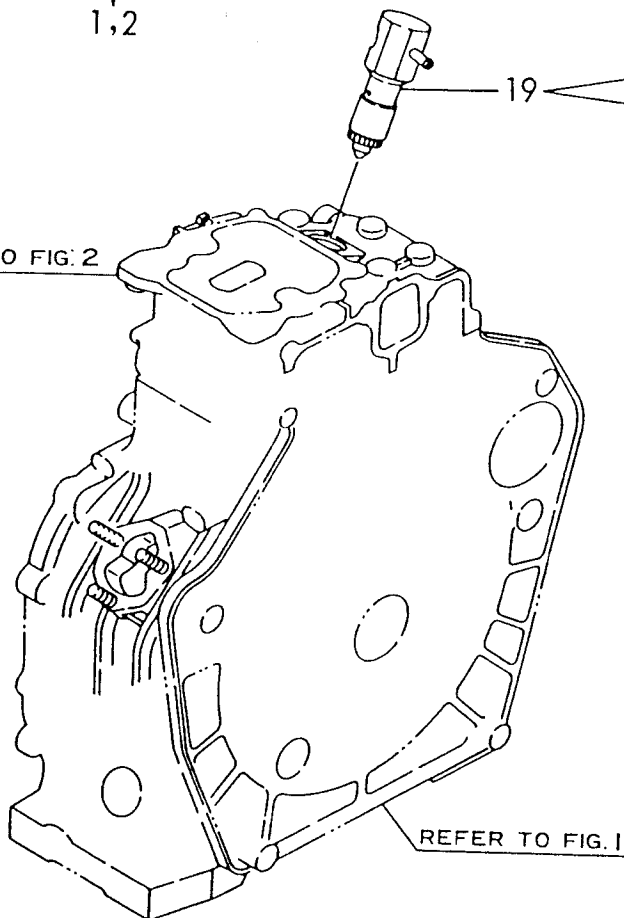
Fig. 9 FUEL INJECTION PUMP & VALVE

SPEC. CODE
 D83250-51400
 D83350-51400
 D14250-53101
 D14350-53100



1,2

REFER TO FIG. 2



+-----+

I 1B12 I

I(1B02) I

+-----+

Y00R3981

(9) FUEL INJECTION PUMP & VALVE

(A)= (D)=

(B)=L40AE-D(E)TM(E)=L40AE-S(E)TM

(C)=L48AE-D(E)TM(F)=L48AE-S(E)TM

REF. NO.	LEV. 0	PART NO.	DESCRIPTION	-----Q'TY----- I P/U A R						
				(A)	(B)	(C)	(D)	(E)	(F)	
1	.	783250-51740	PUMP ASSY. F.INJECT.	1				1		
2	.	714770-51740	PUMP ASSY. F.INJECT.				1			1
3	..	105546-51020	GASKET	1	1			1	1	
4	..	114250-51080	PLATE	1	1			1	1	
5	..	183250-51400	BODY, F. I. PUMP	1	1			1	1	
8	..	114250-51150	SNAP RING	1	1			1	1	
9	..	114250-51160	SPRING	1	1			1	1	
10	..	114250-51300	VALVE ASSY, DELIVERY	1	1			1	1	
11	..	105546-51330	SPRING, DELIV. VALVE	1	1			1	1	
12	..	114250-51340	HOLDER, F.I.P.DELIVE	1	1			1	1	
13	..	124550-51350	GASKET, DELIVERY	2	2			2	2	
14	..	114250-51600	LEVER ASSY, CONTROL	1	1			1	1	
15	..	114250-51640	SEAT (A), SPRING	1	1			1	1	
16	..	114250-51650	SEAT (B), SPRING	1	1			1	1	
17	..	22351-020006	SPRING PIN 2X 6	2	2			2	2	
18	..	22351-030008	SPRING PIN 3X 8	1	1			1	1	
19	.	714250-53101	VALVE ASSY, F.INJECT	1	1			1	1	
20	..	114250-53001	NOZZLE ASSY,F.INJECT	1	1			1	1	
21	..	114250-53080	NUT, NOZZLE CASE	1	1			1	1	
22	..	114250-53120	SPRING, NOZZLE	1	1			1	1	
23	..	114250-53130	SEAT, NOZZLE SPRING	1	1			1	1	
24	..	114250-53140	PLATE, STOP	1	1			1	1	
25	..	114250-53210	PIN	2	2			2	2	
26	..	114250-53300	HOLDER ASSY, NOZZLE	1	1			1	1	
28	...	114250-53331	PIN, SPRING	1	1			1	1	
29	..	114250-53400	SHIM PACK	1	1			1	1	

+-----+
 I 1B13 I
 I(1B02)I
 +-----+
 Y00R3981

(10) FUEL TANK & FUEL PIPE

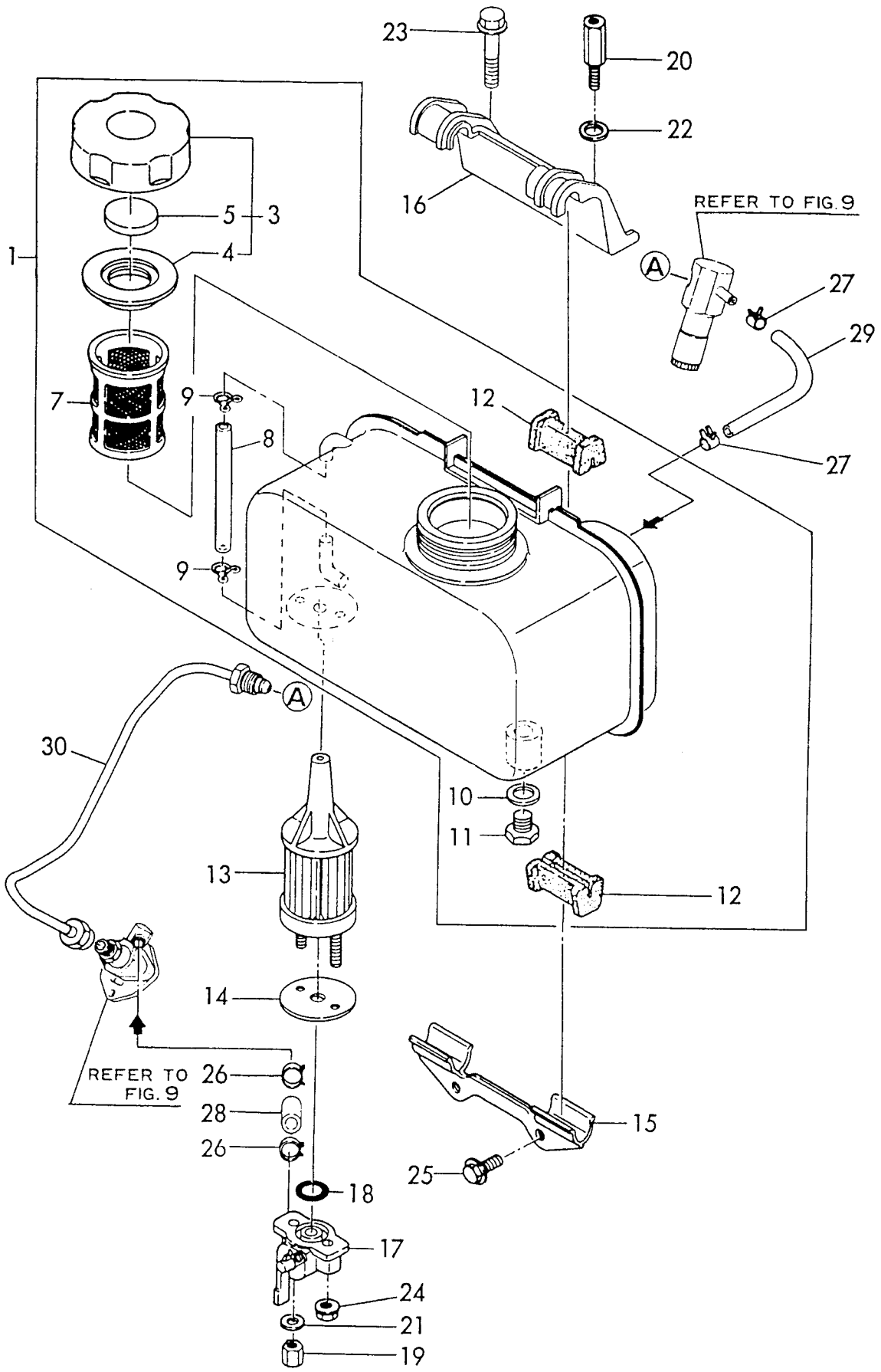
(A)= (D)=
 (B)=L40AE-D/DE (E)=L40AE-S/SE
 (C)=L48AE-D/DE (F)=L48AE-S/SE

REF. NO.	LEV. O	PART NO.	DESCRIPTION	-----Q'TY-----						I	P/U	A	R
				(A)	(B)	(C)	(D)	(E)	(F)				
1A	.	714250-55711	TANK ASSY.FUEL(D/S	1	1			1	1				
1B	.	714268-55721	TANK ASSY.FUEL(DGMO	1								(#)	
1C	.	714268-55751	TANK ASSY, FUEL(DV)	1	1							(Y)	
1D	.	714258-55701	TANK ASSY.FUEL(DF/SF	1	1			1	1			(T)	
3	..	114250-55041	CAP, TANK	1	1			1	1				
4	...	114250-55050	GASCET, TANK CAP	1	1			1	1				
5	...	114250-55060	SEAL	1	1			1	1				
7	..	114250-55100	FILTER, FUEL	1	1			1	1				
8	..	114250-55150	PIPE, GAUGE	1	1			1	1				
9	..	124722-59050	CLAMP 9	2	2			2	2				
10	..	23414-120000	GASKET 12, ROUND	1	1			1	1				
11	..	23887-120002	PLUG 12,HEX.	1	1			1	1				
12	..	114250-55201	DAMPER, FUEL TANK	4	4			4	4				
13	.	114250-55120	FILTER, FUEL OIL	1	1			1	1				
14	.	114250-55130	GASKET	1	1			1	1				
15	.	114250-55211	STAY (A)	1	1			1	1				
16	.	114250-55231	STAY (B)	1	1			1	1				
17	.	114250-55300	COCK ASSY, FUEL	1	1			1	1				
18	.	24341-000150	O-RING 1A S-15.0	1	1			1	1				
19	.	114252-55800	NUT	1	1			1	1				
20	.	114650-55810	BOLT, LIFTING	1	1			1	1				
21	.	22117-060000	WASHER 6	1	1			1	1				
22	.	22117-080000	WASHER 8	1	1			1	1				
23	.	26106-080452	BOLT M 8X 45 PLATED	1	1			1	1				
24	.	26366-060002	NUT M 6	1	1			1	1				
25	.	26476-060142	BOLT M 6X 14,TAPPING	2	2			2	2				
26	.	106990-44660	BAND, HOSE	2	2			2	2				
27	.	124722-59050	CLAMP 9	2	2			2	2				
28	.	114250-59050	PIPE, FUEL OIL	1	1			1	1				
29	.	114250-59060	PIPE, FUEL RETURN	1	1			1	1				
30	.	114250-59800	PIPE, FUEL INJECTION	1	1			1	1				

----- REMARKS -----

I (Y) FOR L40AE/48AE-D(E)V
 I (#) FOR L40AE-DGMO/DEGMO
 I (T) FOR L40AE/48AE-D(E)F/S(E)F

Fig. 11 FUEL TANK & FUEL LINE



+-----+
 | 1B14 |
 |(1B02)|
 +-----+
 Y00R3981

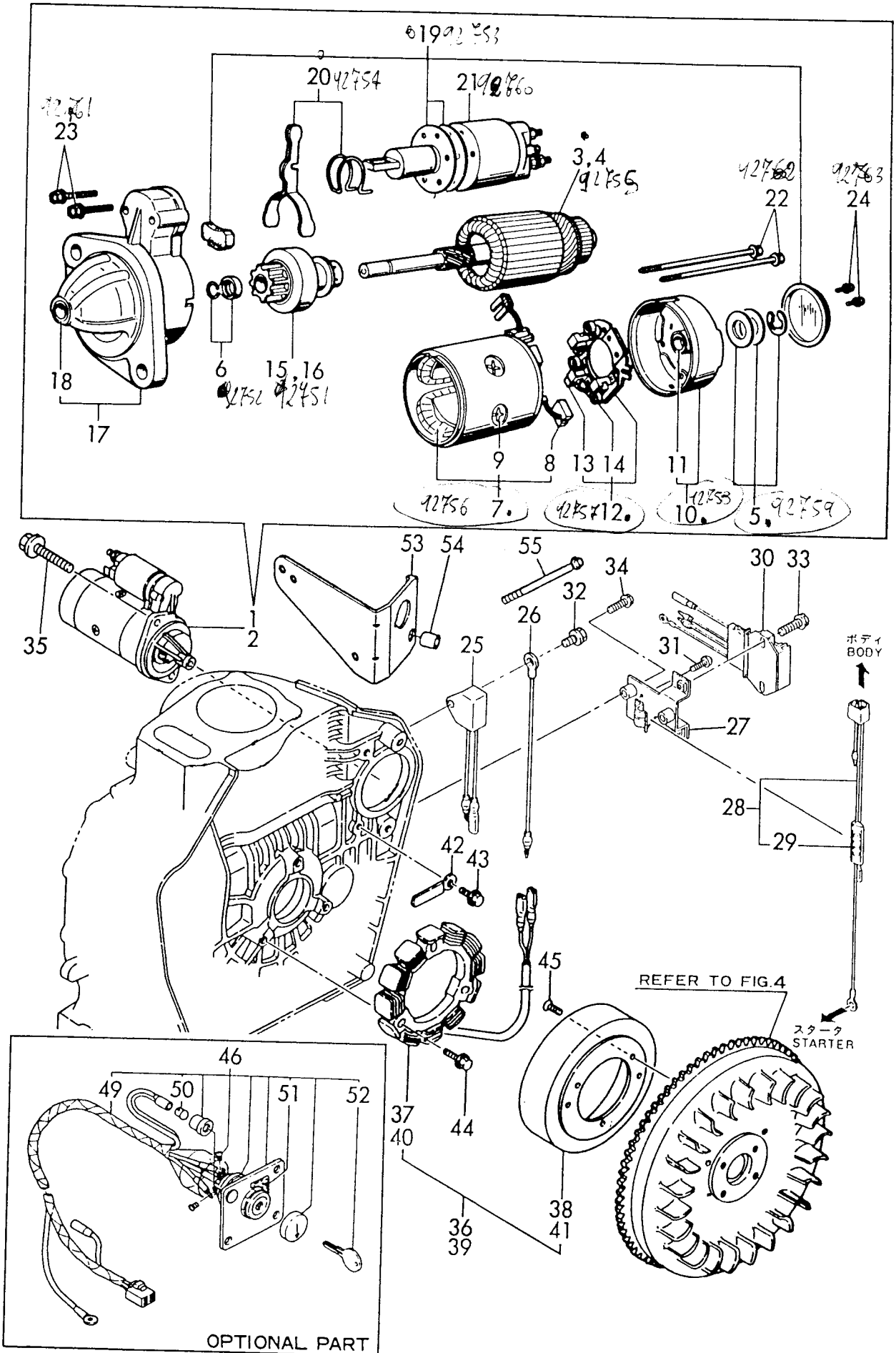
(11) FUEL TANK & FUEL PIPE

(A)= (D)=
 (B)=L40AE-D(E)TM(E)=L40AE-S(E)TM
 (C)=L48AE-D(E)TM(F)=L48AE-S(E)TM

REF. NO.	LEV. 0	PART NO.	DESCRIPTION	-----Q'TY----- I P/U A R					
				(A)	(B)	(C)	(D)	(E)	(F)
1	.	714268-55701	TANK ASSY. (DTM/STM)	1	1		1	1	
3	..	114250-55041	CAP, TANK	1	1		1	1	
4	...	114250-55050	GASCET, TANK CAP	1	1		1	1	
5	...	114250-55060	SEAL	1	1		1	1	
7	..	114250-55100	FILTER, FUEL	1	1		1	1	
8	..	114250-55150	PIPE, GAUGE	1	1		1	1	
9	..	124722-59050	CLAMP 9	2	2		2	2	
10	..	23414-120000	GASKET 12, ROUND	1	1		1	1	
11	..	23887-120002	PLUG 12, HEX.	1	1		1	1	
12	..	114250-55201	DAMPER, FUEL TANK	4	4		4	4	
13	.	114250-55120	FILTER, FUEL OIL	1	1		1	1	
14	.	114250-55130	GASKET	1	1		1	1	
15	.	114250-55211	STAY (A)	1	1		1	1	
16	.	114250-55231	STAY (B)	1	1		1	1	
17	.	114250-55300	COCK ASSY, FUEL	1	1		1	1	
18	.	24341-000150	O-RING 1A S-15.0	1	1		1	1	
19	.	114252-55800	NUT	1	1		1	1	
20	.	114650-55810	BOLT, LIFTING	1	1		1	1	
21	.	22117-060000	WASHER 6	1	1		1	1	
22	.	22117-080000	WASHER 8	1	1		1	1	
23	.	26106-080452	BOLT M 8X 45 PLATED	1	1		1	1	
24	.	26366-060002	NUT M 6	1	1		1	1	
25	.	26476-060142	BOLT M 6X 14, TAPPING	2	2		2	2	
26	.	106990-44660	BAND, HOSE	2	2		2	2	
27	.	124722-59050	CLAMP 9	2	2		2	2	
28	.	114250-59050	PIPE, FUEL OIL	1	1		1	1	
29	.	114250-59060	PIPE, FUEL RETURN	1	1		1	1	
30	.	114250-59810	PIPE, FUEL INJECTION	1	1		1	1	

Fig. 12 STARTING MOTOR & DYNAMO

SPEC. CODE
 D14351-77100 D14353-78310
 D14351-78300 D14362-77100
 D14353-77110 D14654-77140



(12) STARTING MOTOR & DYNAMO

↑-----↑
 I 1B15 I
 I(1B02) I
 ↑-----↑
 Y00R3981

(A)= (D)=
 (B)=L40AE-DE (E)=L40AE-SE
 (C)=L48AE-DE (F)=L48AE-SE

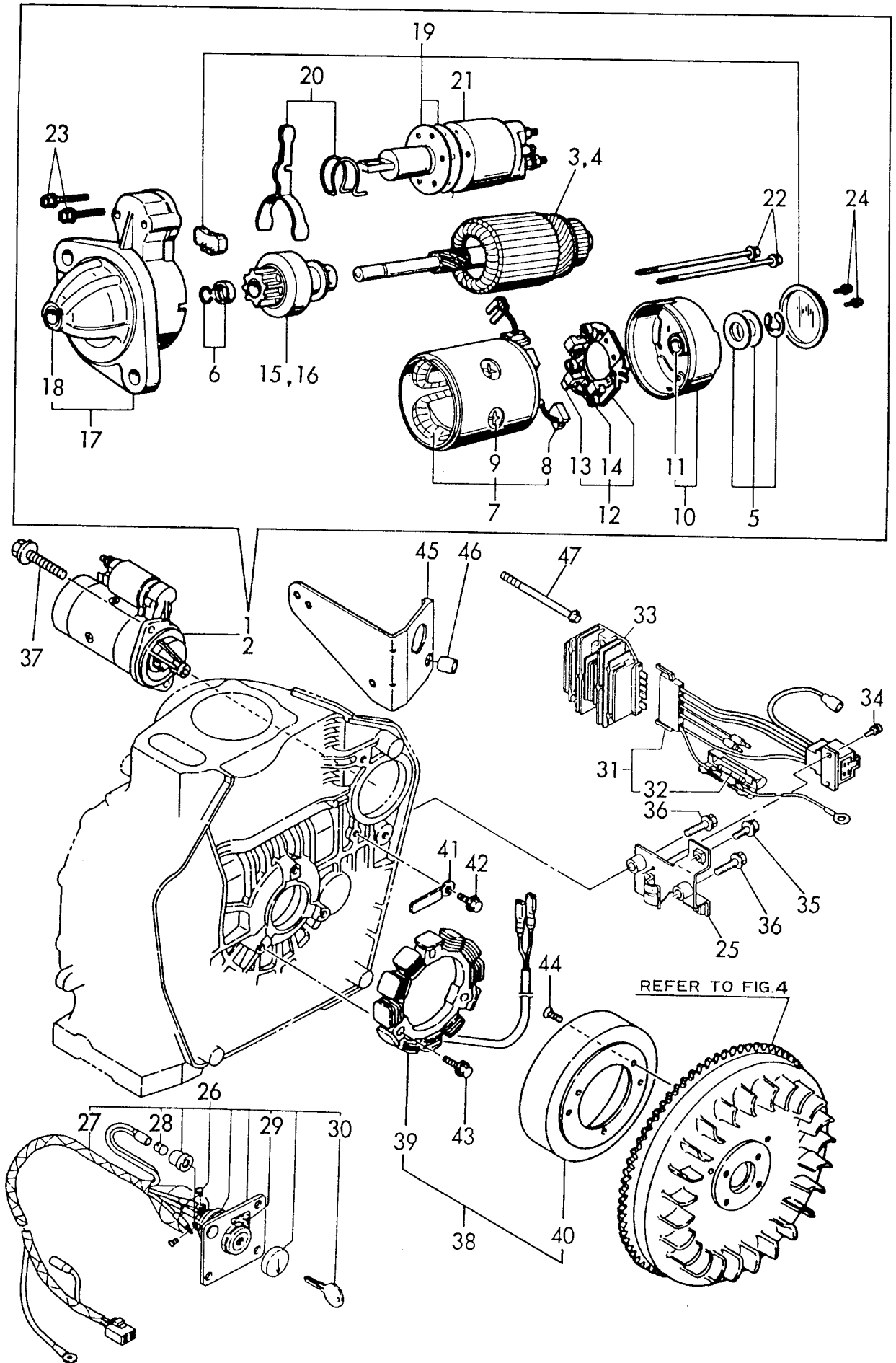
REF. NO.	LEV. 0	PART NO.	DESCRIPTION	-----Q'TY-----						I	P/U	A	R
				(A)	(B)	(C)	(D)	(E)	(F)				
1	.	114362-77010	STARTER (S114-414A)		1	1							
2	.	114351-77010	STARTER (S114-413A)					1	1				
3	..	X211461104	ARMATURE		1	1							
4	..	X211461008	ARMATURE					1	1				
5	..	X21148110	WASHER SET, THRUST		1	1		1	1				
6	..	X21147155	STOPPER SET, PINION		1	1		1	1				
7	..	X211412105	COIL ASSY, FIELD		1	1		1	1				
8	...	X21145312	BRUSH (+)		2	2		2	2				
9	...	X21143215	SCREW, CORE		4	4		4	4				
10	..	X211473002	COVER, REAR		1	1		1	1				
11	...	X21145352	METAL		1	1		1	1				
12	..	X211489001	HOLDER ASSY, BRUSH		1	1		1	1				
13	...	X21148313	BRUSH (-)		1	1		1	1				
14	...	X21149314	SPRING, BRUSH		3	3		3	3				
15	..	X211445508	PINION ASSY		1	1							
16	..	X211445504	PINION ASSY					1	1				
17	..	X211416603	HOUSING ASSY, GEAR		1	1		1	1				
18	...	X21145352	METAL		1	1		1	1				
19	..	X211478006	COVER KIT, DUST		1	1		1	1				
20	..	X211456013	LEVER KIT, SHIFT		1	1		1	1				
21	..	X211427501	SWITCH, MAGNETIC		1	1		1	1				
22	..	X211468005	BOLT, THROUGH		2	2		2	2				
23	..	X21145867	BOLT 6		2	2		2	2				
24	..	X21142835	SCREW SET		1	1		1	1				
25	.	160970-77350	RECTIFIER		1	1		1	1				
26	.	183350-77400	WIRE, LEAD		1	1		1	1				
27	.	114253-77410	BRACKET					1	1				(Y)
I 27- 1	.	114385-77400	BRACKET					1	1	R			
28	.	114253-77491	HARNESS, WIRE				(E=X)	1	1		(Y)
29	..	29411-150000	FUSE (15A), CARTRIDGE					2	2				(Y)
30	.	114253-77520	REGULATOR					1	1				(Y)
31	.	26023-040102	SCREW M 4X 10		2	2		2	2				
32	.	26106-060122	BOLT M 6X 12 PLATED		1	1		1	1				
33	.	26106-060202	BOLT M 6X 20 PLATED					2	2				(Y)
34	.	26106-060252	BOLT M 6X 25 PLATED					2	2				(Y)
I 34- 1	.	26106-060122	BOLT M 6X 12 PLATED				(E=X)	2	2	N	
35	.	26106-100302	BOLT M10X 30 PLATED		2	2		2	2				
36	.	114351-78250	DYNAMO ASSY		1	1		1	1				
37	..	114351-78750	STATOR ASSY		1	1		1	1				
38	..	114351-78760	WHEEL, DYNAMO		1	1		1	1				
39	.	114351-78260	DYNAMO ASSY (12V-3A)					1	1				(Y)
40	..	114351-78770	STATOR ASSY, (132.1MM					1	1				(Y)
41	..	114351-78780	WHEEL (STATOR132.1MM					1	1				(Y)
42	.	160710-78710	CLAMP, CORD		1	1		1	1				
43	.	26476-060142	BOLT M 6X 14, TAPPING		1	1		1	1				
44	.	26476-060202	BOLT M 6X 20, TAPPING		3	3		3	3				
45	.	26577-060142	SCREW M 6X 14		3	3		3	3				
46	.	114351-77500	PANEL ASSY, KEYSWITCH		1	1		1	1				(H)
49	..	114351-77700	HARNESS, WIRE		1	1		1	1				(H)
50	...	29220-083200	BULB (12V/3.4W)		1	1		1	1				(H)
51	..	105198-07120	LABEL, STARTER		1	1		1	1				(H)
52	..	106100-77630	KEY, STARTER		1	1		1	1				(H)
53	.	114351-77620	BRACKET, ST. SWITCH		1			1					(H)
54	.	114351-77630	WASHER		2			2					(H)
55	.	26106-060702	BOLT M 6X 70 PLATED		2			2					(H)

----- REMARKS -----

I(Y) FOR L40AE-SEF, L48AE-SEF. I(H) OPTIONAL PARTS.

Y052302

Fig. **13** STARTING MOTOR & DYNAMO



+-----+
I 1C01 I
I(1B02) I
+-----+
Y00R3981

(13) STARTING MOTOR & DYNAMO

(A)= (D)=
(B)=L40AE-DETM (E)=L40AE-SETM
(C)=L48AE-DETM (F)=L48AE-SETM

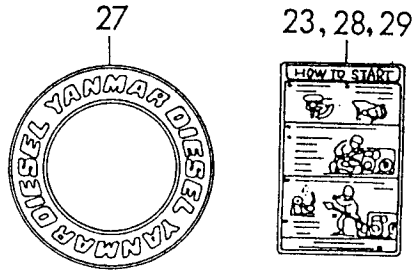
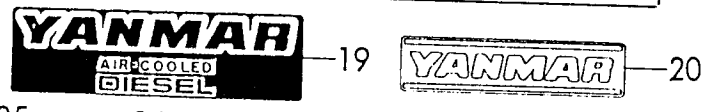
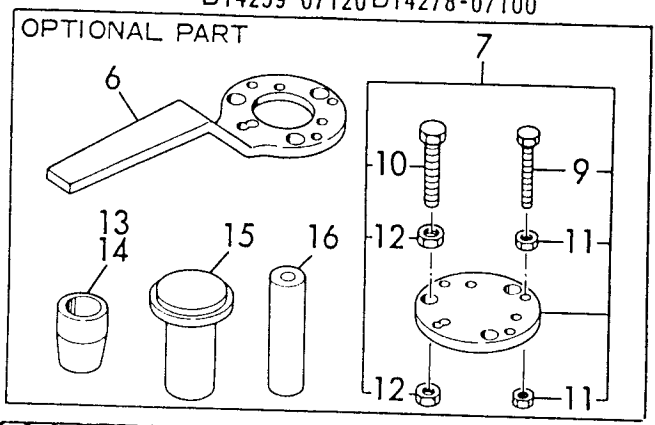
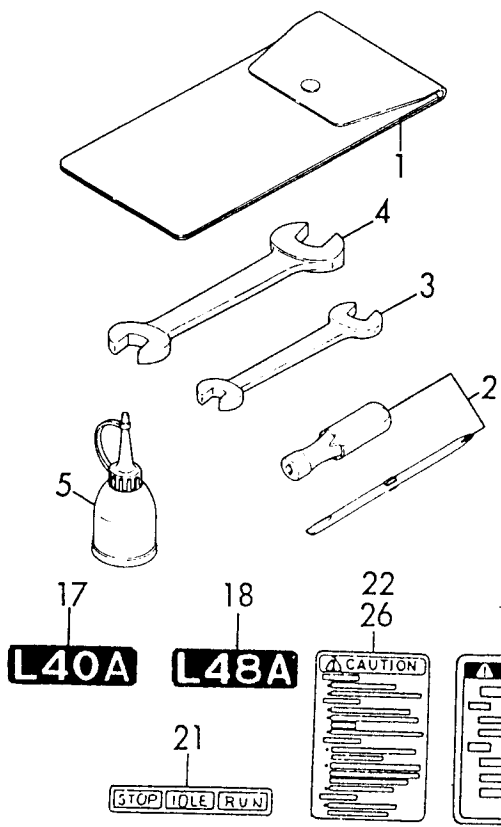
REF. NO.	LEV. 0	PART NO.	DESCRIPTION	-----Q'TY-----						I P/U A R
				(A)	(B)	(C)	(D)	(E)	(F)	
1	.	114362-77010	STARTER (S114-414A)		1	1				
2	.	114351-77010	STARTER (S114-413A)					1	1	
3	..	X211461104	ARMATURE		1	1				
4	..	X211461008	ARMATURE					1	1	
5	..	X21148110	WASHER SET, THRUST	1	1			1	1	
6	..	X21147155	STOPPER SET, PINION	1	1			1	1	
7	..	X211412105	COIL ASSY, FIELD	1	1			1	1	
8	...	X21145312	BRUSH (+)	2	2			2	2	
9	...	X21143215	SCREW, CORE	4	4			4	4	
10	..	X211473002	COVER, REAR	1	1			1	1	
11	...	X21145352	METAL	1	1			1	1	
12	..	X211489001	HOLDER ASSY, BRUSH	1	1			1	1	
13	...	X21148313	BRUSH (-)	1	1			1	1	
14	...	X21149314	SPRING, BRUSH	3	3			3	3	
15	..	X211445508	PINION ASSY	1	1					
16	..	X211445504	PINION ASSY					1	1	
17	..	X211416603	HOUSING ASSY, GEAR	1	1			1	1	
18	...	X21145352	METAL	1	1			1	1	
19	..	X211478006	COVER KIT, DUST	1	1			1	1	
20	..	X211456013	LEVER KIT, SHIFT	1	1			1	1	
21	..	X211427501	SWITCH, MAGNETIC	1	1			1	1	
22	..	X211468005	BOLT, THROUGH	2	2			2	2	
23	..	X21145867	BOLT 6	2	2			2	2	
24	..	X21142835	SCREW SET	1	1			1	1	
25	.	114253-77410	BRACKET	1	1			1	1	
I 25- 1	.	114385-77400 (B=X)	BRACKET	1	1			1	1	R
26	.	114351-77500	PANEL ASSY,KEYSWITCH	1	1			1	1	
27	..	114351-77700	HARNESS, WIRE	1	1			1	1	
28	...	29220-083200	BULB (12V/3.4W)	1	1			1	1	
29	..	105198-07120	LABEL, STARTER	1	1			1	1	
30	..	106100-77630	KEY, STARTER	1	1			1	1	
31	.	114351-77540	HARNESS, WIRE	1	1			1	1	
32	..	29411-150000	FUSE (15A),CARTRIDGE	2	2			2	2	
33	.	119660-77710	CURRENT LIMITER	1	1			1	1	
34	.	26023-040102	SCREW M 4X 10	2	2			2	2	
35	.	26106-060202	BOLT M 6X 20 PLATED	2	2			2	2	
36	.	26106-060252	BOLT M 6X 25 PLATED	2	2			2	2	
I 36- 1	.	26106-060122 (B=X)	BOLT M 6X 12 PLATED	2	2			2	2	N
37	.	26106-100302	BOLT M10X 30 PLATED	2	2			2	2	
38	.	114351-78260	DYNAMO ASSY (12V-3A)	1	1			1	1	
39	..	114351-78770	STATOR ASSY, (132.1MM	1	1			1	1	
40	..	114351-78780	WHEEL (STATOR132.1MM	1	1			1	1	
41	.	160710-78710	CLAMP, CORD	1	1			1	1	
42	.	26476-060142	BOLT M 6X 14, TAPPING	1	1			1	1	
43	.	26476-060202	BOLT M 6X 20, TAPPING	3	3			3	3	
44	.	26577-060142	SCREW M 6X 14	3	3			3	3	
45	.	114351-77620	BRACKET, ST.SWITCH	1				1		(H
46	.	114351-77630	WASHER	2				2		(H
47	.	26106-060702	BOLT M 6X 70 PLATED	2				2		(H

----- REMARKS -----

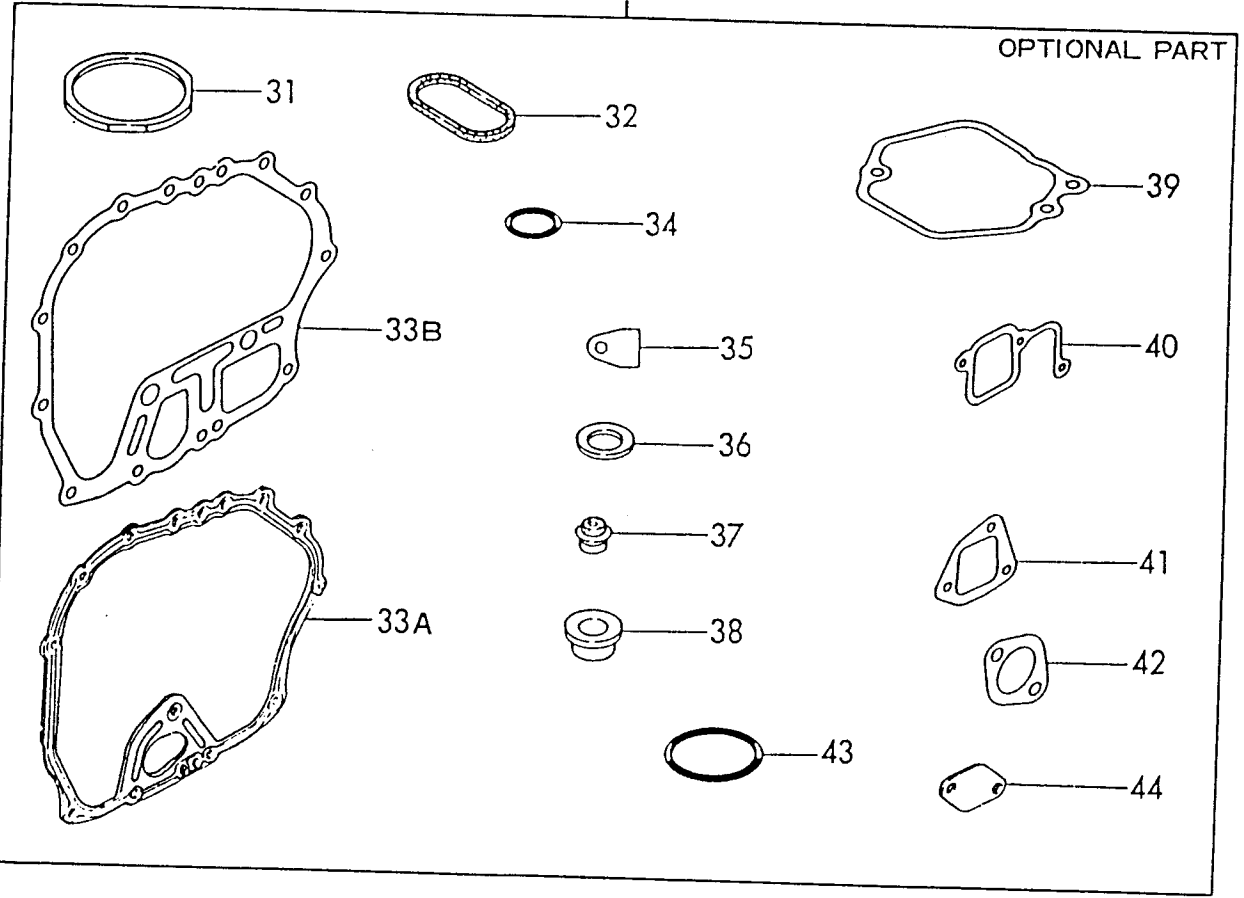
I (H) OPTIONAL PARTS

Fig. 14 TOOL, LABEL & GASKET SET

D14250-92100 D14268-07100 D14278-07110
 D14250-92150 D14268-07120 D14288-07100
 D14254-07110 D14268-07140 D14288-07110
 D14254-07120 D14268-92150 D14278-07100
 D14254-07130 D14269-07110
 D14258-07110 D14250-92100
 D14258-07120 D14250-92150
 D14259-07100 D14268-92150
 D14259-07120 D14278-07100



30



+-----+
 I 1002 I
 I(1802)I
 +-----+
 Y00R3981

(14) TOOLS / LABELS & GASKET SET

(A)= (D)=
 (B)=L40AE-D/DE (E)=L40AE-S/SE
 (C)=L48AE-D/DE (F)=L48AE-S/SE

REF. NO.	LEV. 0	PART NO.	DESCRIPTION	-----Q'TY-----						I	P	U	A	R
				(A)	(B)	(C)	(D)	(E)	(F)					
1	.	114250-92600	BAG, TOOL	1	1			1	1					
2	.	160330-92730	SCREWDRIVER	1	1			1	1					
3	.	28110-100120	WRENCH 10X12	1	1			1	1					
4	.	28110-140170	WRENCH 14X17	1	1			1	1					
5	.	28210-000150	FEEDER, OIL	1	1			1	1					
6	.	114250-92101	F.W. LOCKING HANDLE	1	1			1	1				(Y)	
7	.	114250-92130	REMOVER, FLYWHEEL	1	1			1	1				(Y)	
9	..	26116-060454	BOLT M 6X 45 PLATED	4	4			4	4				(Y)	
10	..	26116-080454	BOLT M 8X 45 PLATED	3	3			3	3				(Y)	
11	..	26716-060002	NUT M 6	8	8			8	8				(Y)	
12	..	26716-080002	NUT M 8	6	6			6	6				(Y)	
13	.	114268-92300	GUIDE, OIL SEAL	1	1								(Y)	
14	.	114250-92301	GUIDE, OIL SEAL					1	1				(Y)	
15	.	114250-92311	INSTALLING TOOL	1	1			1	1				(Y)	
16	.	114250-92350	INSTALLING TOOL	1	1			1	1				(Y)	
17	.	114270-07050	LABEL, (L40A)	1				1						
18	.	114770-07050	LABEL, (L48A)			1					1			
19	.	114250-07090	LABEL, AIR COOLED	1	1			1	1					
20	.	114250-07110	LABEL, YANMAR	1	1			1	1					
21	.	183250-07230	LABEL, OPERATION	1	1			1	1					
22	.	114268-07240	LABEL, CAUTION	1	1			1	1					
23	.	114250-07250	LABEL, HOW TO START	1	1			1	1					
24	.	114250-07260	LABEL, OPERATION	1	1			1	1					
25	.	114268-07260	LABEL, CAUTION	1	1			1	1					
26	.	114268-07280	LABEL, PRECAUTION	1	1									
27	.	114250-07350	LABEL, YANMAR DIESEL	1	1			1	1					
28	.	114268-07350	LABEL, HOW TO START	1	1			1	1					
29	.	114268-07360	LABEL, HOW TO START (F	1	1									
30A	.	714270-92600	GASKET SET	1				1						
30B	.	714770-92600	GASKET SET			1					1			
31A	..	114250-01340	GASKET, CYL. HEAD	1				1						
31B	..	114770-01340	GASKET, CYL. HEAD			1					1			
32	..	114250-01380	O-RING	1	1			1	1					
33A	..	114250-01411	GASKET, CRANK CASE	1	1			1	1					
33B	..	114250-01412	GASKET, CRANK CASE	1	1			1	1					
34	..	24311-000180	O-RING 1A P-18.0	2	2			2	2					
35	..	114250-01840	GASKET	1	1			1	1					
36	..	43400-500490	SEAL WASHER 16	2	2			2	2					
37	..	114250-11340	SEAL, VALVE STEM	2	2			2	2					
38	..	114250-11460	GASKET, NOZZLE	1	1			1	1					
39	..	114250-11310	GASKET, BONNET	1	1			1	1					
40	..	114250-12200	GASKET, AIR INTAKE	1	1			1	1					
41A	..	114250-12210	GASKET, AIR CLEANER	1	1			1	1					
41B	..	114252-12210	GASKET, AIR CLEANER	1	1			1	1					
42	..	114250-13200	GASKET, MUFFLER	1	1			1	1					
43	..	103338-32570	O-RING	1	1			1	1					
44	..	114250-35270	GASKET, L.O. STRAINER					1	1					

----- REMARKS -----

I(Y) OPTIONAL PARTS