

Advanced technology by

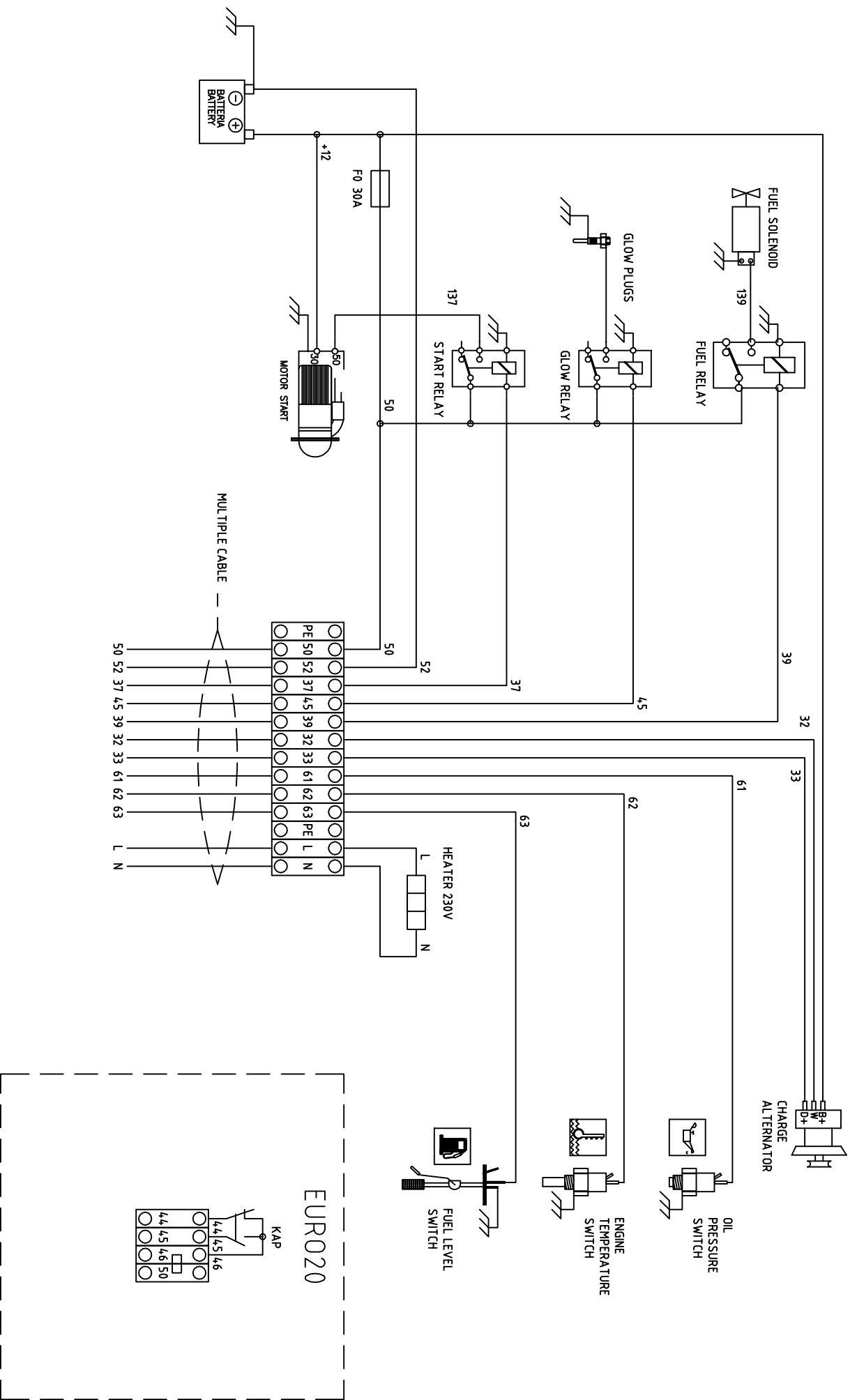
**Generator**



Code: P01779

Produced by: M.G.

Date: 2.11.2016



Advanced technology by

# Generator

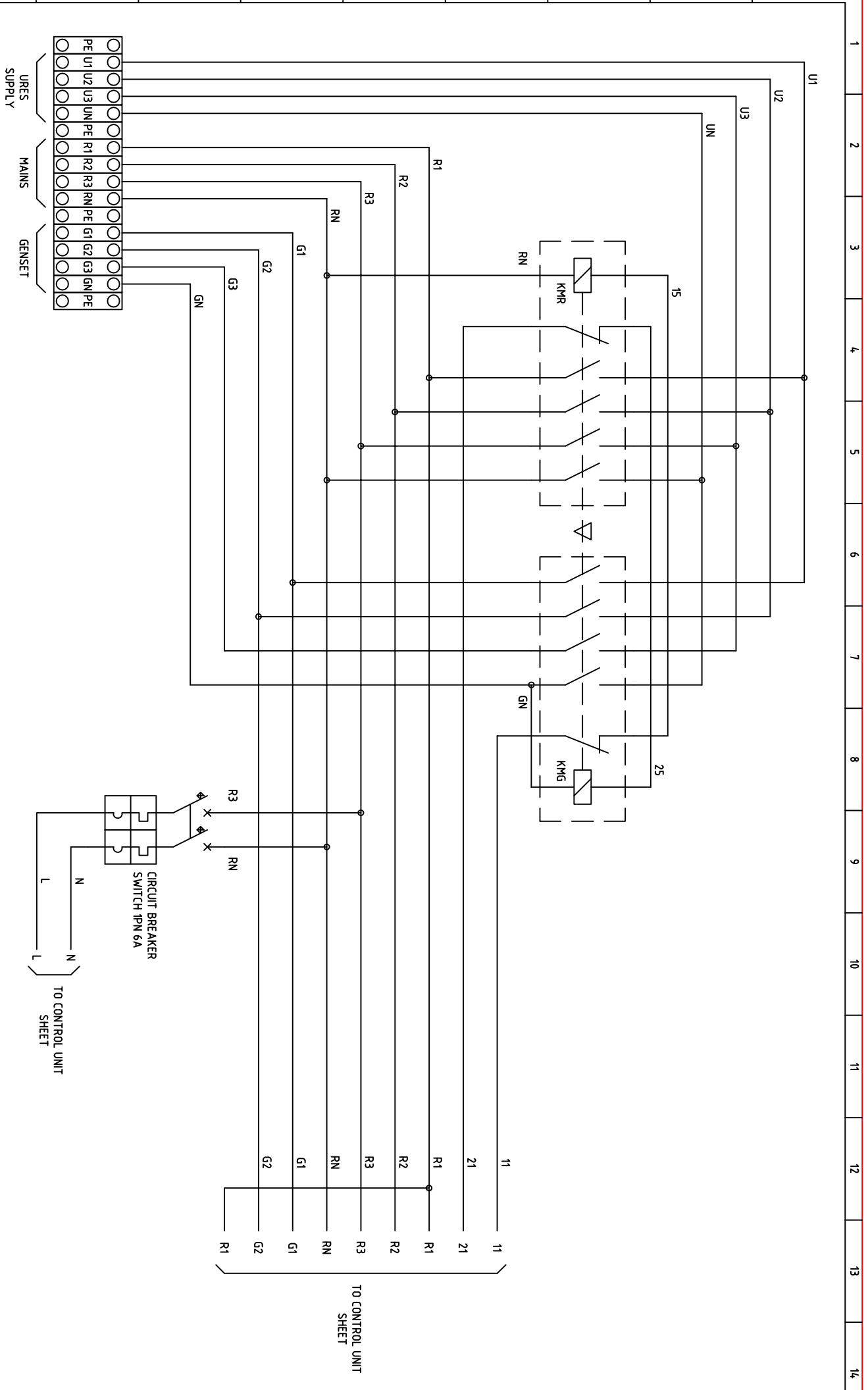


®

Code: C01779

Produced by: M.G.

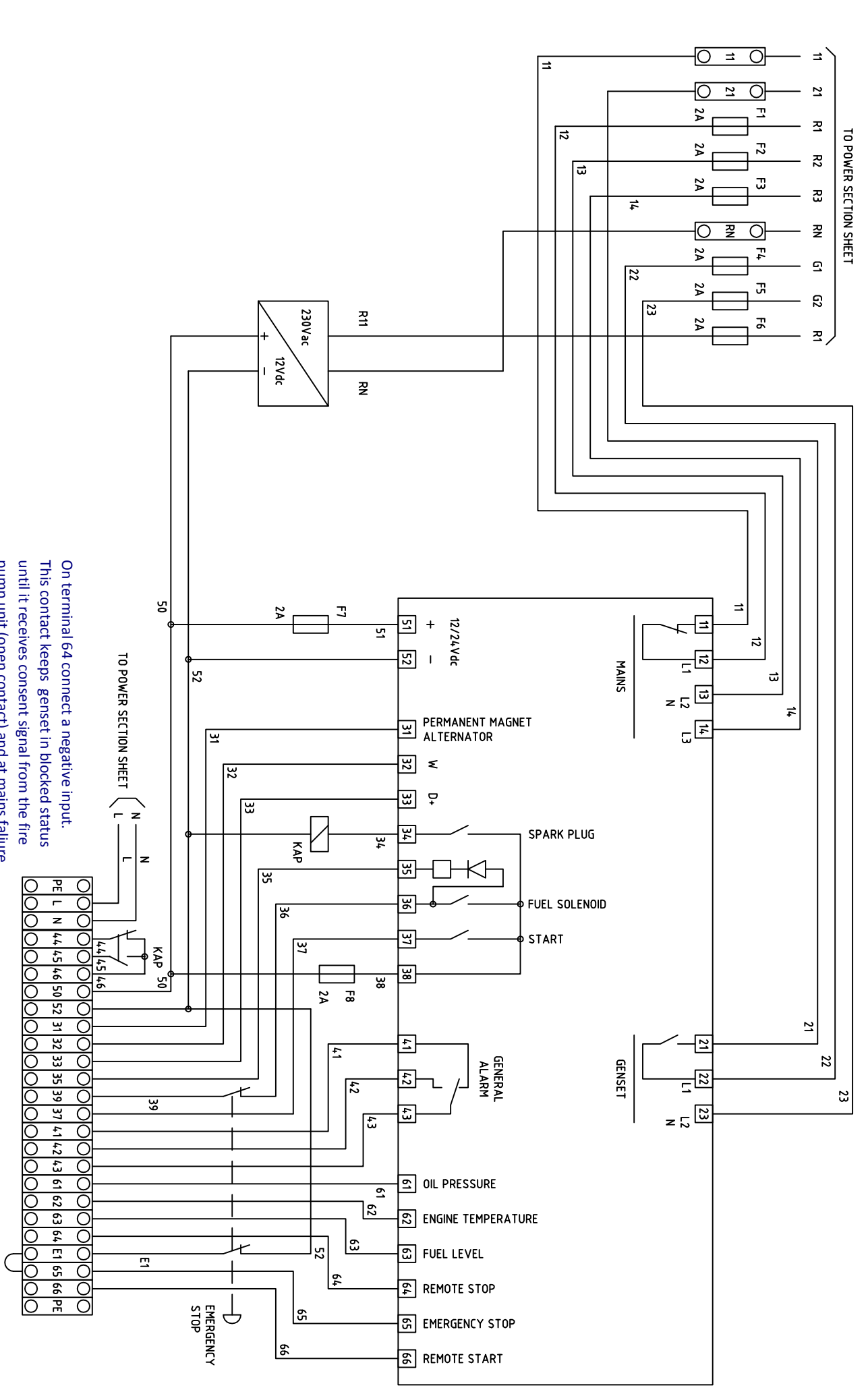
Date: 2.11.2016



Code: EUR020T3C1-P  
THREE PHASE POWER SECTION

Produced by: M. G.

Data: 14-Gen-2014



On terminal 64 connect a negative input.  
 This contact keeps genset in blocked status until it receives consent signal from the fire pump unit (open contact) and at mains failure.

Code: Scheda1R

Produced by: M. G.

Data:

14-Gen-2014

