

§LDW1603 (#DSC)

Update Date 10/07/2022

Print Date 22/08/2022

Tavola ricambi

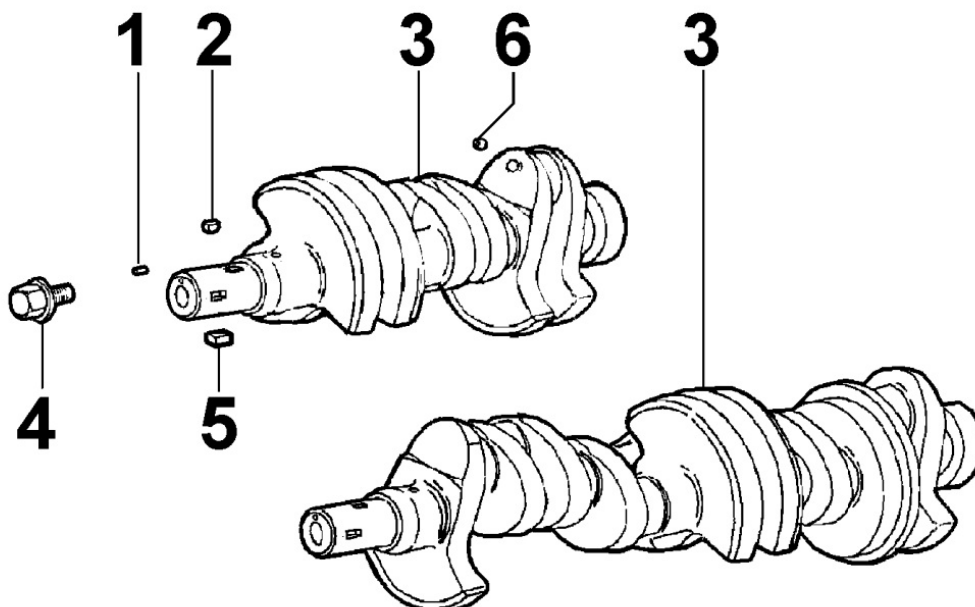
Index	Description
8010300060	CRANKSHAFT
8011300100	PISTON / CONNECTING ROD
8012300090	FLYWHEEL
8014300120	PULLEYS / BELT
8020300490	CRANKCASE
8021300410	CYLINDER HEAD
8022300130	HEAD COVER
8023300010	FLYWHEEL SIDE SUPPORT
8025300130	ENGINE MOUNTS
8027300010	TIMING SYSTEM COVER
8030300110	INJECTION SYSTEM
8035300140	CAMSHAFT
8036300070	ROCKER ARMS / VALVES
8038300010	TIMING SYSTEM
8040300060	OIL PUMP
8041300010	OIL PAN
8042300030	OIL FILTER
8043300010	OIL DIPSTICK
8045300050	BREATHER SYSTEM
8050300630	SPEED GOVERNOR
8051300050	CONTROLS
8052300040	ELECTROVALVE
8061300180	FUEL FILTER
8062300050	FUEL FEED PUMP
8064300820	FUEL LINES
8067300110	FIXING FOR COOLANT RADIATOR
8067300160	FIXING FOR COOLANT RADIATOR
8068300010	COOLANT HOSES
8071300030	COOLING FAN
8073300150	COOLANT RADIATOR
8073301040	COOLANT RADIATOR
8074300590	THERMOSTAT UNIT
8077300160	COOLANT PUMP
8080300190	AIR INLET MANIFOLD / AIR FILTER
8081300460	AIR FILTER
8084300010	AIR FILTER DUST INDICATOR

Tavola ricambi

Index	Description
8085300030	EXHAUST GAS MANIFOLD
8087300070	EXHAUST GAS ACCESSORIES
8100300180	VOLTAGE ALTERNATOR
8101300010	STARTING MOTOR
8102300040	OIL PRESSURE SWITCH
8103300210	CONTROL PANEL / ENGINE WIRES
8104300010	TEMPERATURE SENSORS
8106300150	GLOW PLUGS / PRE-HEATING RELAY
8140300010	3rd PTO
8145300010	4th PTO
8160300100	ENGINE FLANGE / BACKPLATE
8172300080	FAN GUARD

8010300060 - CRANKSHAFT

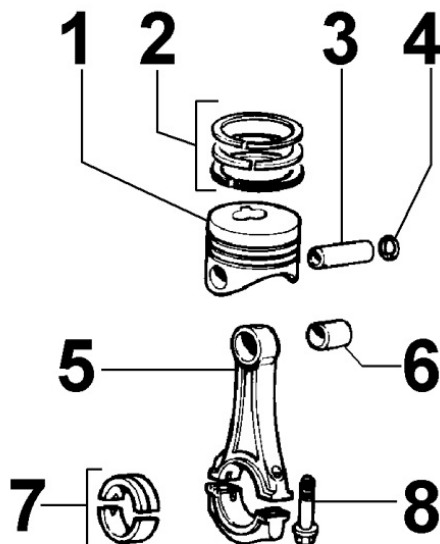
8 010 30



Pos	Kit	Included In	Code	Description	Qty	Old Code	Tech. Info
1		(A)	ED0084300040-S	TAPER PIN 3X12 DIN 1481	1		
2		(A)	ED0022800820-S	KEY	1		
3	(A)		ED0010511700-S	CRANKSHAFT	1	ED0010511440-S	
4			ED0098653190-S	CRANKSHAFT BOLT	1		
5		(A)	ED0022801550-S	KEY	1		

8011300100 - PISTON / CONNECTING ROD

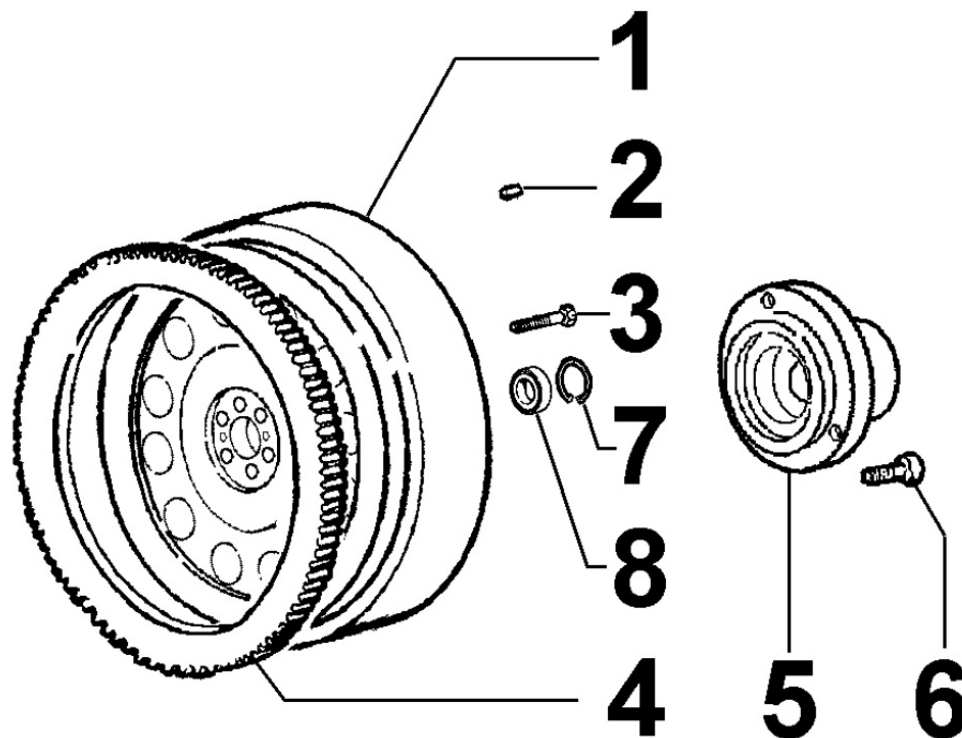
8 011 30




Pos	Kit	Included In	Code	Description	Qty	Old Code	Tech. Info
1	B		ED0065017660-S	PISTON ASS.Y	3		▲
1	B		ED0065017670-S	PISTON ASS.Y (Ø+0.5MM)	3		▲
1	B		ED0065017680-S	PISTON ASS.Y (Ø+1MM)	3		▲
2		(B)	ED0082112240-S	RINGS KIT	3		▲
2		(B)	ED0082112250-S	RINGS KIT (Ø+0.5MM)	3		▲
2		(B)	ED0082112260-S	RINGS KIT (Ø+1MM)	3		▲
3		(B)	ED0084800850-S	PISTON PIN	3		▲
4		(B)	ED0011750590-S	RING	6		▲
5	A		ED0015261800-S	CONNECTING ROD	3		▲
6		(A)	ED0016300680-S	CONROD BUSHING	1	ED0016300210-S	
7			ED0016400400-S	BEARING	3/4		
7			ED0016400520-S	BEARING (Ø-0.25MM)	3/4		
7			ED0016400530-S	BEARING (Ø-0.5MM)	3/4		
8		(A)	ED0017801350-S	SCREW	6/8		▲

8012300090 - FLYWHEEL

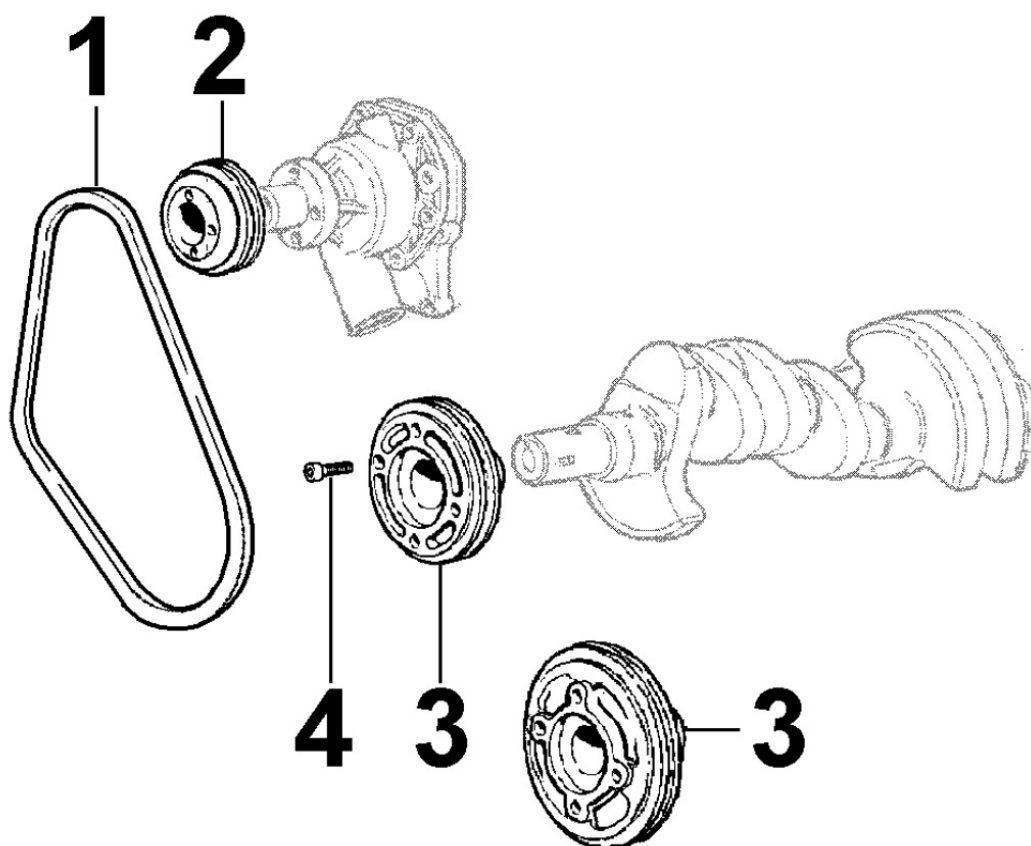
8 012 30




Pos	Kit	Included In	Code	Description	Qty	Old Code	Tech. Info
1	A		ED0098809620-S	FLYWHEEL	1		
3			ED0018620890-S	SCREW	6		
4		(A)	ED0028160650-S	RING GEAR	1		

8014300120 - PULLEYS / BELT

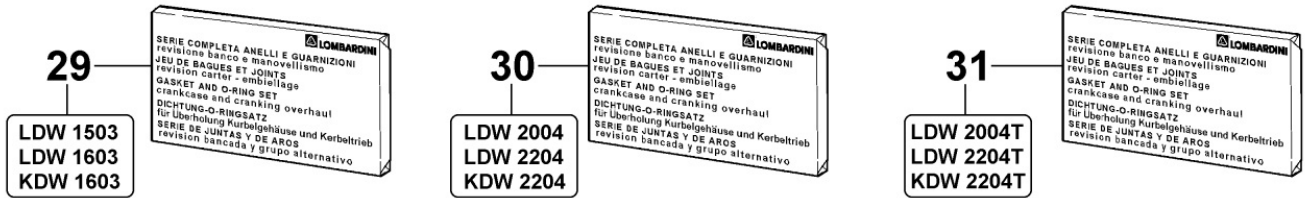
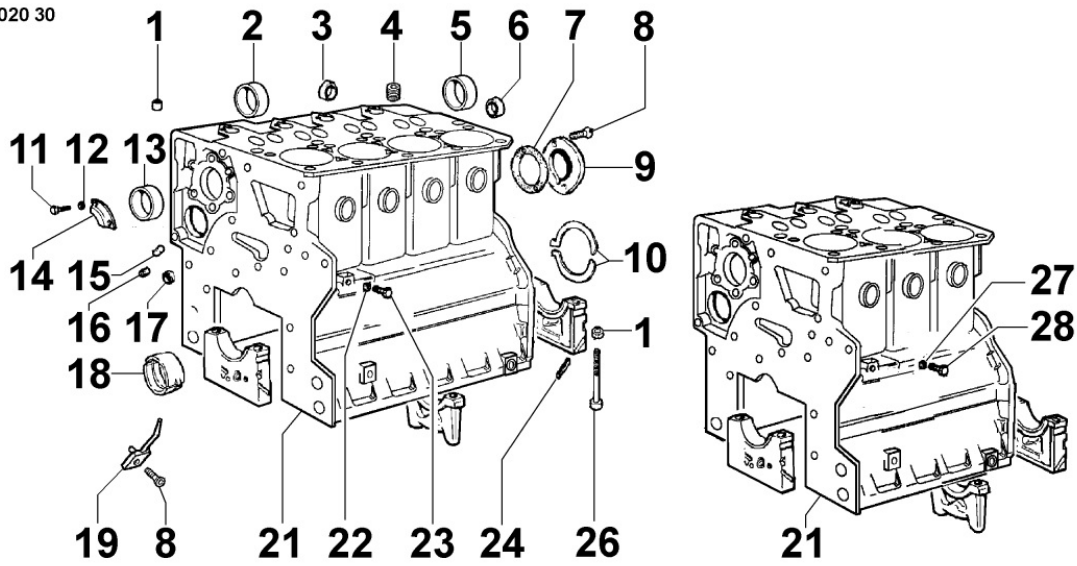
8 014 30






Pos	Kit	Included In	Code	Description	Qty	Old Code	Tech. Info
1			ED0024401230-S	BELT	1		
2			ED0069753100-S	PULLEY	1		
3			ED0069753200-S	PULLEY	1		

8020300490 - CRANKCASE

8 020 30

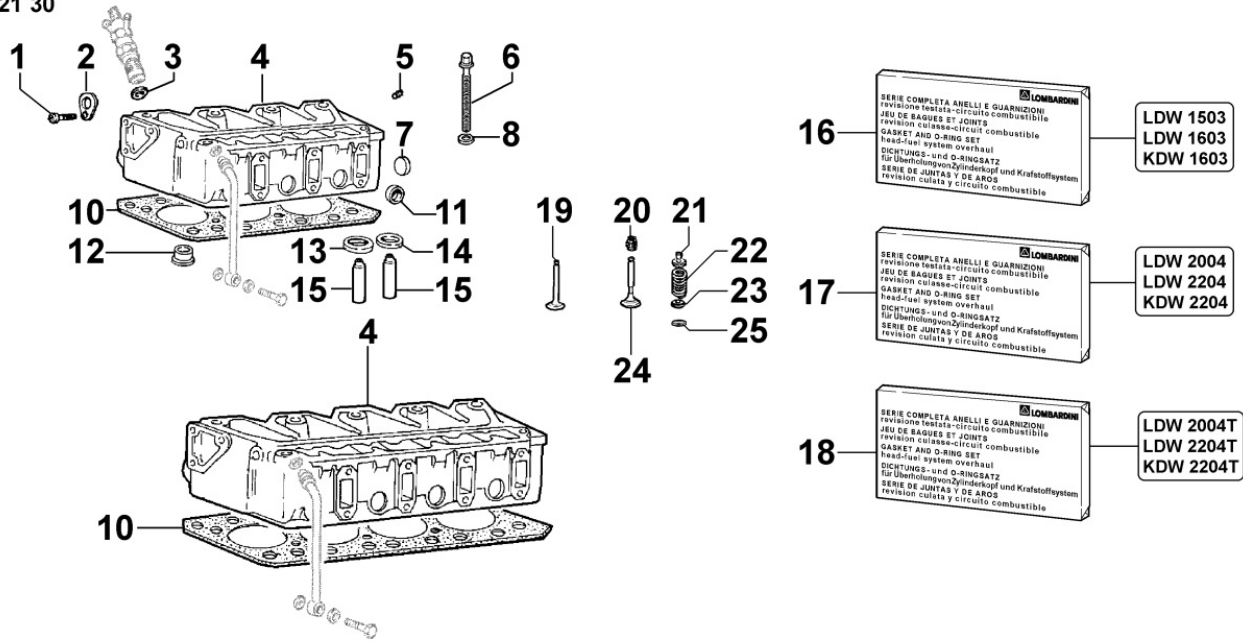


Pos	Kit	Included In	Code	Description	Qty	Old Code	Tech. Info
1		(A)	ED0019701410-S	BUSHING	10/12		
2		(A)	ED0015803370-S	BUSHING	1	ED0015801480-S	
3		(A)	ED0089900220-S	CAP	5		
4			ED0097651800-S	SCREW	1		▲
6		(A)	ED0089900540-S	CAP	1		▲
7			ED0044312070-S	GASKET	1		
8			ED0098000610-S	SCREW	2		
9			ED0026150470-S	COVER	1		
10			ED0012571670-S	THRUST WASHER	4/5		▲
10			KDISC.		2	ED0012571680-S	
10			ED0012571690-S	THRUST WASHER (+0.2MM)	2		▲
10			ED0012571670-S	THRUST WASHER	2	ED0080480170-S	▲
11			ED0017700020-S	SCREW	2		
12			ED0075650070-S	WASHER	2		
13		(A)	ED0015801470-S	BUSHING	1		
14			ED0062751200-S	PLATE	1		
15		(A)	ED0097651110-S	SCREW	1		
16		(A)	ED0089650970-S	CAP	1		
17		(A)	ED0090801400-S	CAP	1		
18			ED0016112050-S	BEARING	4/5		▲
18			ED0016112060-S	BEARING (Ø-0.25MM)	4/5		▲
18			ED0016112070-S	BEARING (Ø-0.5MM)	4/5		▲
21	A		ED0015114310-S	CRANKCASE	1		
22			ED0046700610-S	GASKET	1		
23			ED0090400120-S	CAP	1		
24		(A)	ED0044000540-S	GASKET	4		
26		(A)	ED0018621500-S	SCREW	8		▲
27			ED0046700580-S	GASKET	1		

Pos	Kit	Included In	Code	Description	Qty	Old Code	Tech. Info
27			ED0046700580-S	GASKET	1		
28			ED0089650340-S	CAP	1		
29			ED0082051150-S	CRANKCASE GASKET KIT (3 CYL.)	1		
30			ED0082051180-S	CRANKCASE GASKET KIT (4 CYL.)	1		
31			ED0082051210-S	CRANKCASE GASKET KIT (4 CYL. TURBO)	1		

8021300410 - CYLINDER HEAD

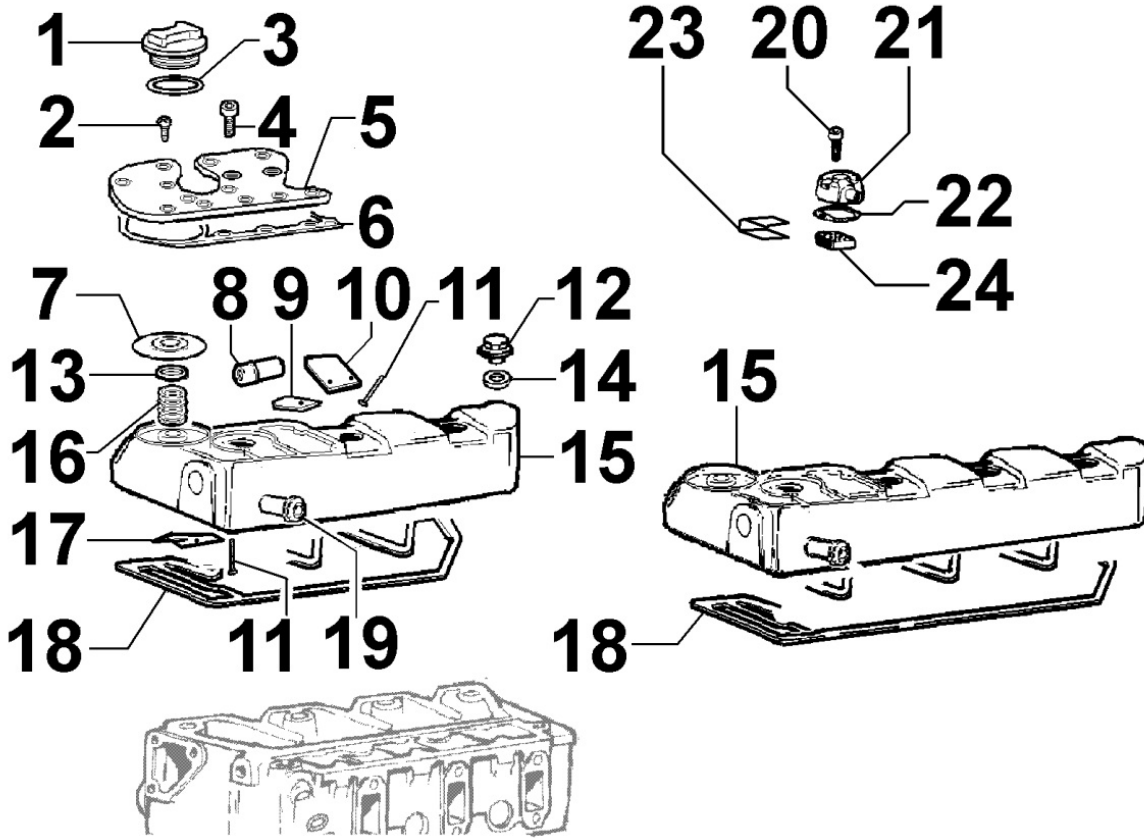
8 021 30



Pos	Kit	Included In	Code	Description	Qty	Old Code	Tech. Info
1			ED0097300240-S	SCREW	2		
2			ED0085459390-S	BRACKET	2		
3			ED0059890060-S	SPARK ARRESTER	3		
4	B		ED0092013240-S	CYLINDER HEAD	1		
5			ED0097650010-S	SCREW	1		
6			ED0018620910-S	SCREW	8		▲
7		(A) (B)	ED0089900220-S	CAP	1		
8			ED0076260400-S	WASHER	8		
10			ED0047306200-S	CYL. HEAD GASKET (NO NOTCHES)	1		▲
11		(A) (B)	ED0090800830-S	CAP	4		
12		(A) (B)	ED0090808920-S	CAP	3		
13		(A) (B)	ED0080001260-S	VALVE SEAT - INTAKE	3		
14		(A) (B)	ED0080001270-S	VALVE SEAT - EXHAUST	3		
15		(A) (B)	ED0048452510-S	GUIDE	6		▲
16			ED0082051140-S	CYLINDER HEAD GASKET KIT (3 CYL.)	1		▲
17			ED0082051170-S	CYLINDER HEAD GASKET KIT (4 CYL.)	1		▲
18			ED0082051200-S	CYLINDER HEAD GASKET KIT (4 CYL. TURBO)	1		▲
19				803630...0			
20				803630...0			
21				803630...0			
22				803630...0			
23				803630...0			
24				803630...0			
25				803630...0			

8022300130 - HEAD COVER

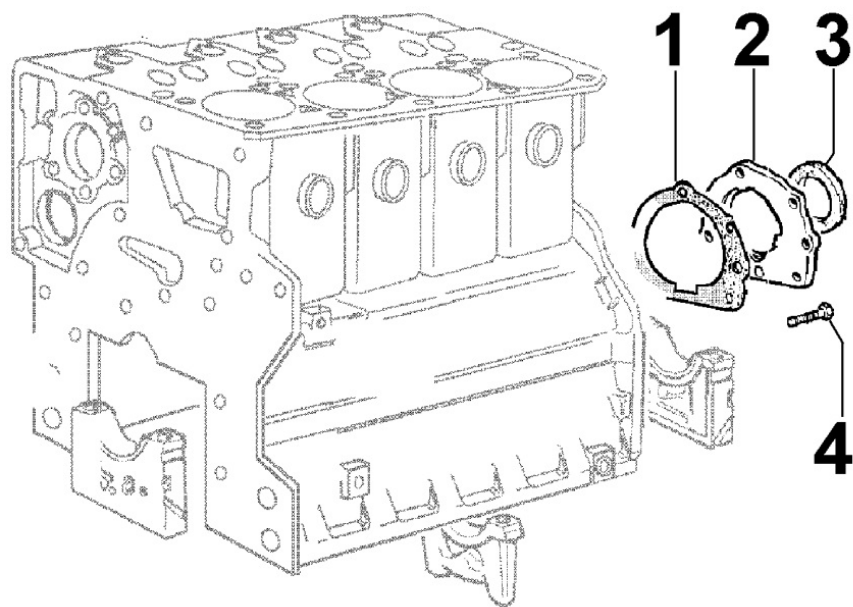
8 022 30



Pos	Kit	Included In	Code	Description	Qty	Old Code	Tech. Info
1			ED0090320790-S	FILLER CAP	1		
2			ED0098201950-S	SCREW	12		
3			ED0012000150-S	O-RING	1		
4			ED0097303190-S	SCREW	2		
5			ED0027503740-S	COVER	1		
6			ED0044301000-S	GASKET	1		
7			ED0096930080-S	VALVE	1	ED0096930070-S	
8			ED0095991750-S	PIPE	1		
9			ED0051680620-S	RETAINER PLATE	1		
10			ED0033600310-S	DIAPHRAGM	1		
11			ED0074810770-S	RIVET	4		
12			ED0033002180-S	NUT	3		▲
13			ED0076252700-S	WASHER	1		
14			ED0044000500-S	GASKET	3		▲
15			ED0021253330-S	ROCKER ARM COVER	1		
16			ED0056552430-S	SPRING	1		
17			ED0051680610-S	RETAINER PLATE	1		
18			ED0044000690-S	GASKET	1		▲
19			ED0095991720-S	PIPE	1		

8023300010 - FLYWHEEL SIDE SUPPORT

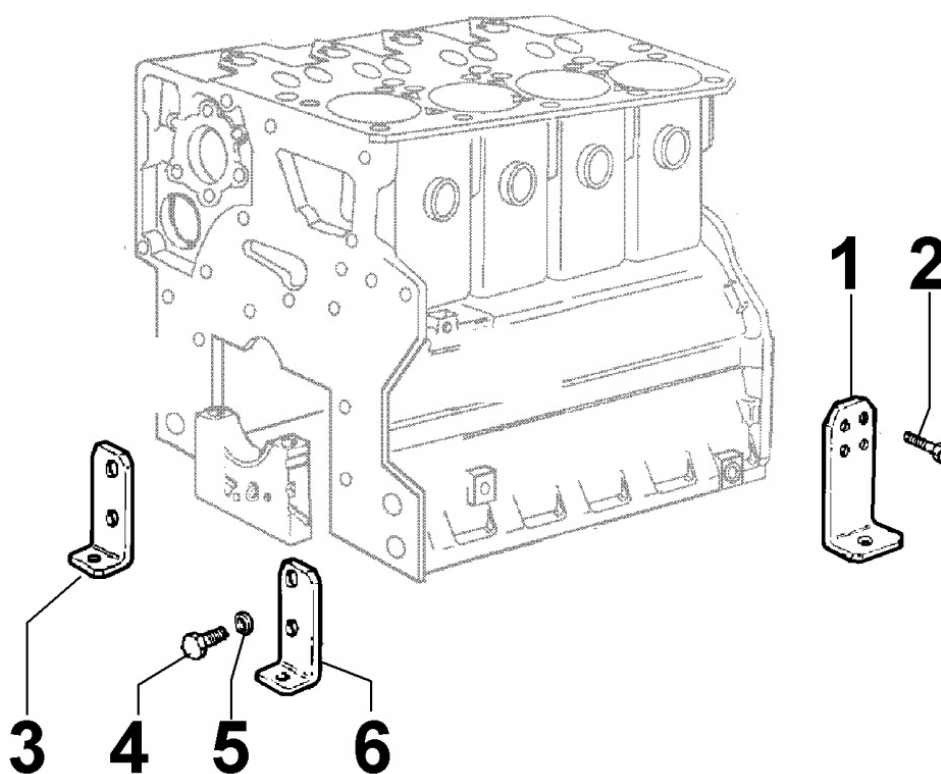
8 023 30



Pos	Kit	Included In	Code	Description	Qty	Old Code	Tech. Info
1			ED0045011600-S	GASKET	1		
2	(A)		ED0037900800-S	FLANGE	1		⚠
3		(A)	ED0012133490-S	SEAL RING	1		⚠
4			ED0097300120-S	SCREW	8		

8025300130 - ENGINE MOUNTS

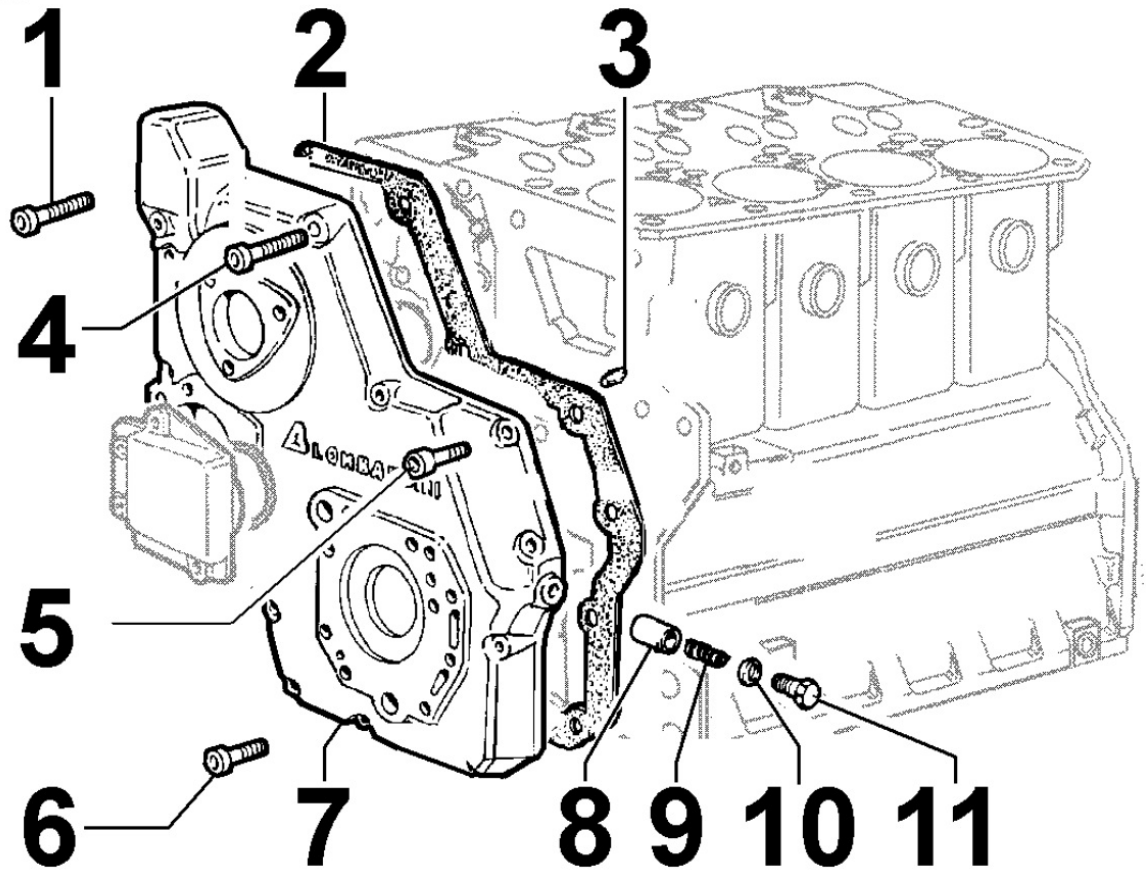
8 025 30



Pos	Kit	Included In	Code	Description	Qty	Old Code	Tech. Info
1			ED0064292180-S	ENGINE MOUNT	2		
2			ED0017900370-S	SCREW	8		
3			ED0064293060-S	ENGINE MOUNT	1		⚠
4			ED0018050090-S	SCREW	4		
5			ED0075650150-S	WASHER	4		
6			ED0064293030-S	ENGINE MOUNT	1		⚠

8027300010 - TIMING SYSTEM COVER

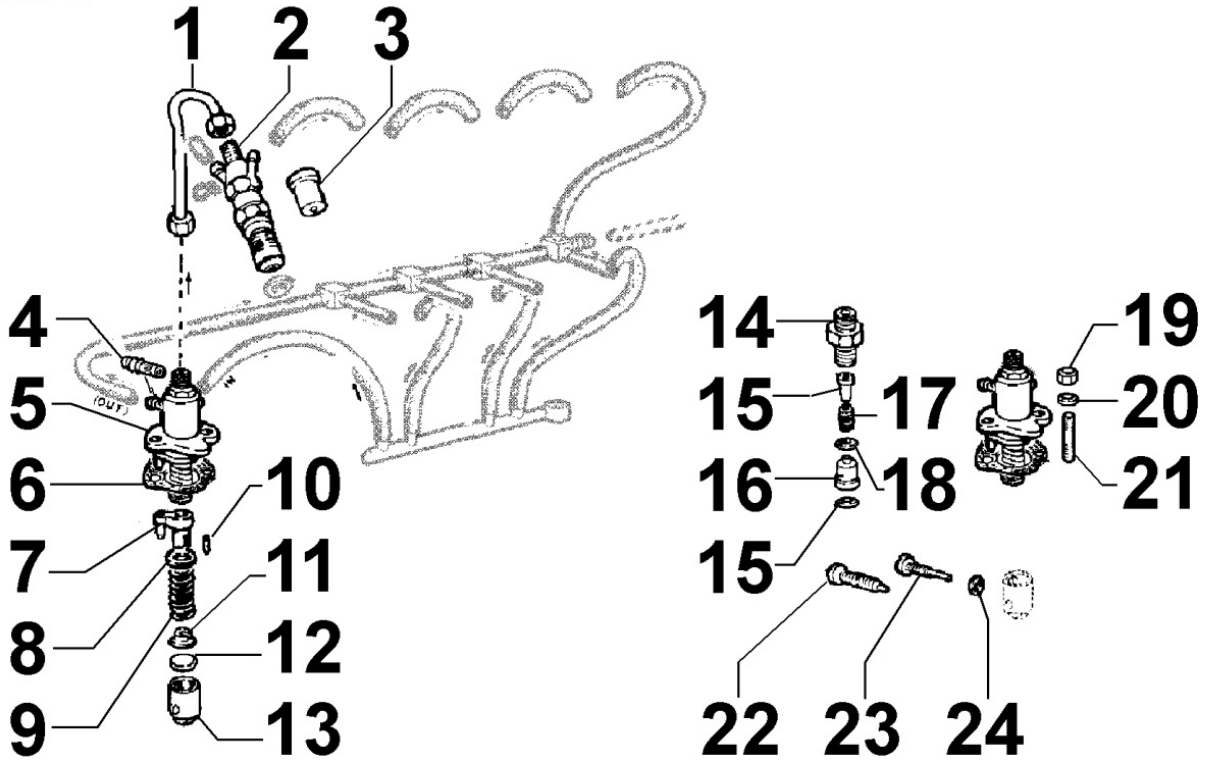
8 027 30





Pos	Kit	Included In	Code	Description	Qty	Old Code	Tech. Info
2			ED0046012050-S	GASKET	1		
3			ED0084600550-S	PIN	2		
4			ED0097320750-S	SCREW	2		
5			ED0097301000-S	SCREW	2		
6			ED0097300310-S	SCREW	8		
7	(A)		ED0066580150-S	DOOR	1		
8		(A)	ED0064950520-S	PLUNGER	1		
9		(A)	ED0056250100-S	SPRING	1		
10		(A)	ED0046700190-S	GASKET	1		
11		(A)	ED0090150060-S	CAP	1		

8030300110 - INJECTION SYSTEM

8 030 30

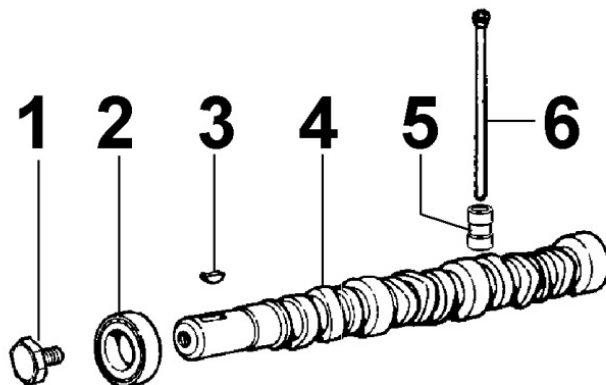




Pos	Kit	Included In	Code	Description	Qty	Old Code	Tech. Info
1			ED0093757390-S	FUEL PIPE	3		
2	A		ED0050100510-S	INJECTOR	3		▲
3		(A)	ED0065314680-S	NOZZLE	3/4		▲
4		(B)	ED0072600420-S	JOINT	1		
5	B		ED0065903760-S	INJECTION PUMP	3		▲
6			ED0045802300-S	GASKET	3		
7		(B)	ED0054011970-S	JUNCTION	1		▲
8		(B)	KDISC.		1	ED0064101070-S	
9		(B)	KDISC.		1	ED0057550800-S	
10		(B)	ED0084300860-S	ELASTIC PIN 2X8 CODE 10494	2		
11		(B)	ED0064000590-S	RETAINER	1		
12			ED0060001130-S	SHIM (4MM)	0		
12			ED0060001140-S	SHIM (4.1MM)	1		
12			ED0060001150-S	SHIM (4.2MM)	1		
12			ED0060001160-S	SHIM (4.3MM)	0		
12			ED0060001170-S	SHIM (4.4MM)	0		
12			ED0060001180-S	SHIM (4.5MM)	0		
12			ED0060001190-S	SHIM (4.6MM)	0		
12			ED0060001200-S	SHIM (4.7MM)	0		
12			ED0060001210-S	SHIM (4.8MM)	0		
12			ED0060001470-S	SHIM (3.9MM)	0		
12			ED0060001480-S	SHIM (3.8MM)	0		
12			ED0060001490-S	SHIM (3.7MM)	0		
12			ED0060001500-S	SHIM (3.6MM)	0		
12			ED0060001510-S	SHIM (3.5MM)	0		
13			ED0072151400-S	TAPPET	3		

Pos	Kit	Included In	Code	Description	Qty	Old Code	Tech. Info
13			ED0072151400-S	TAPPET	3		
14		(B)	KDISC.		1	ED0072650160-S	
15		(B)	ED0074700180-S	FILLER	1		
16		(B)	ED0096720920-S	DELIVERY VALVE	1	ED0096721150-S	
17		(B)	ED0057551220-S	SPRING	1		
18		(B)	ED0047600360-S	GASKET	2		
19			ED0032401630-S	NUT	6		
20			ED0057150890-S	SPRING	6		
21			ED0067800050-S	STUD	6		
22				805030...0			
23			ED0097302560-S	SCREW	2		
24			ED0046700010-S	GASKET	2		

8035300140 - CAMSHAFT

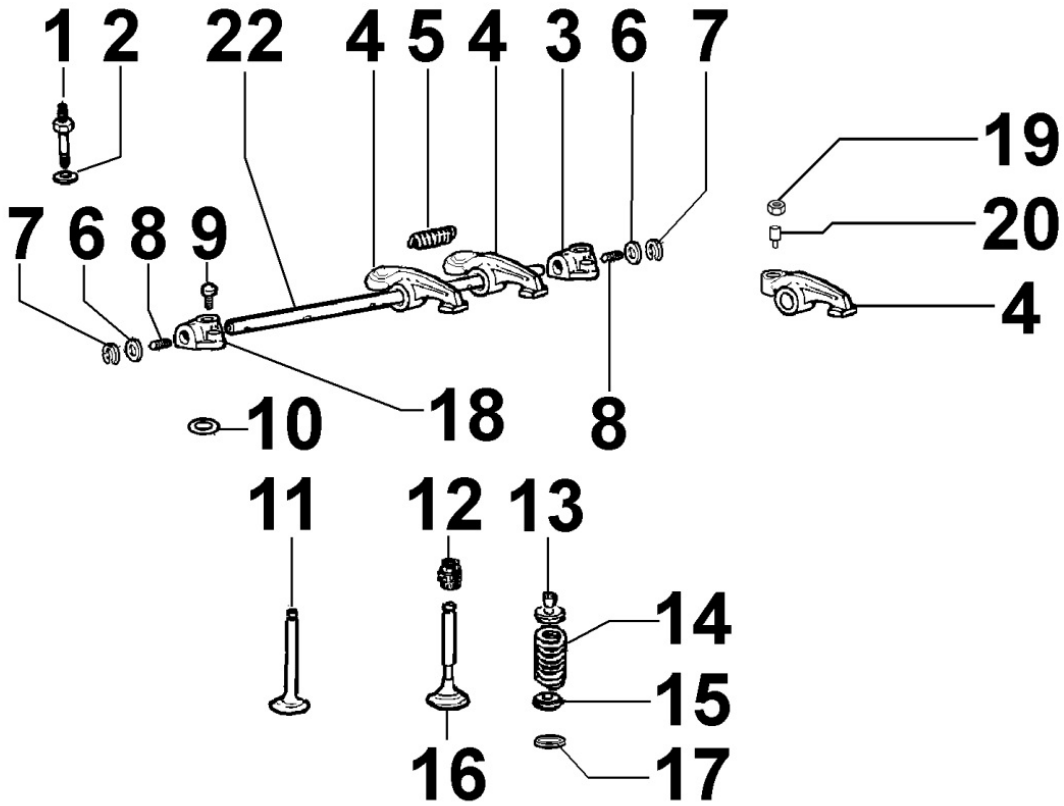
8 035 30



Pos	Kit	Included In	Code	Description	Qty	Old Code	Tech. Info
1			ED0017801040-S	SCREW	1		
2			ED0030010650-S	BEARING	1		
3			ED0022800440-S	KEY	1		
4			ED0010101230-S	CAMSHAFT	1		
5			ED0072151110-S	TAPPET	6		
6			ED0014101390-S	PUSHROD	6		

8036300070 - ROCKER ARMS / VALVES

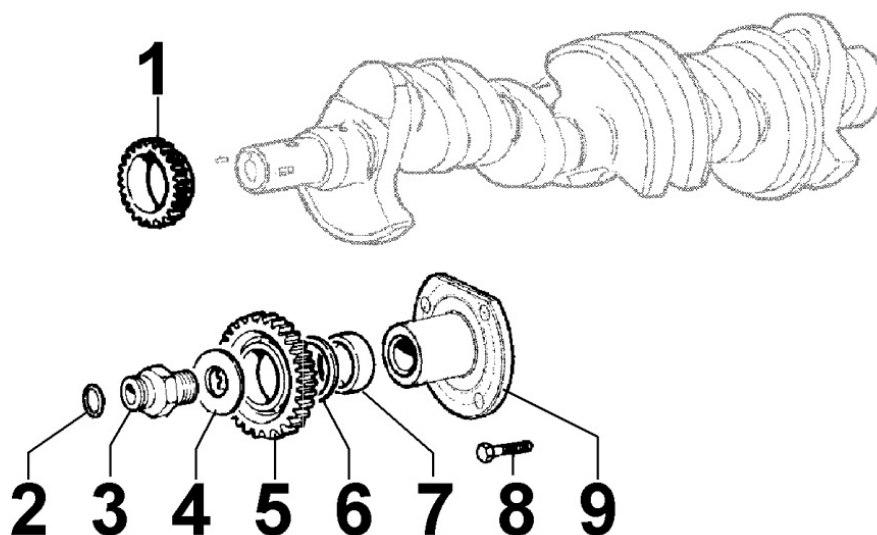
8 036 30



Pos	Kit	Included In	Code	Description	Qty	Old Code	Tech. Info
1			ED0098651450-S	FIXING SCREW	3		
2			ED0076251250-S	WASHER	3		
4		(A)	ED0015412360-S	ROCKER ARM	6		▲
5		(A)	ED0056150090-S	SPRING	2		
6		(A)	ED0077011480-S	WASHER	4		
7		(A)	ED0012400060-S	SNAP RING	2		
8		(A)	ED0097650090-S	SCREW	2		
9		(A)	ED0097303250-S	SCREW	1		
10			ED0012002860-S	O-RING	1		▲
11			ED0096521470-S	INTAKE VALVE	3		▲
12			ED0045350150-S	GASKET	6		▲
13			ED0064100980-S	VALVE SPRING RETAINER	6/8		
14			ED0057550040-S	SPRING	6		
15			ED0034301410-S	DISC	6		
16			ED0096851420-S	EXHAUST VALVE	3		▲
22	A		ED0060452380-S	ROCKER ARM SHAFT	1	ED0060451590-S	

8038300010 - TIMING SYSTEM

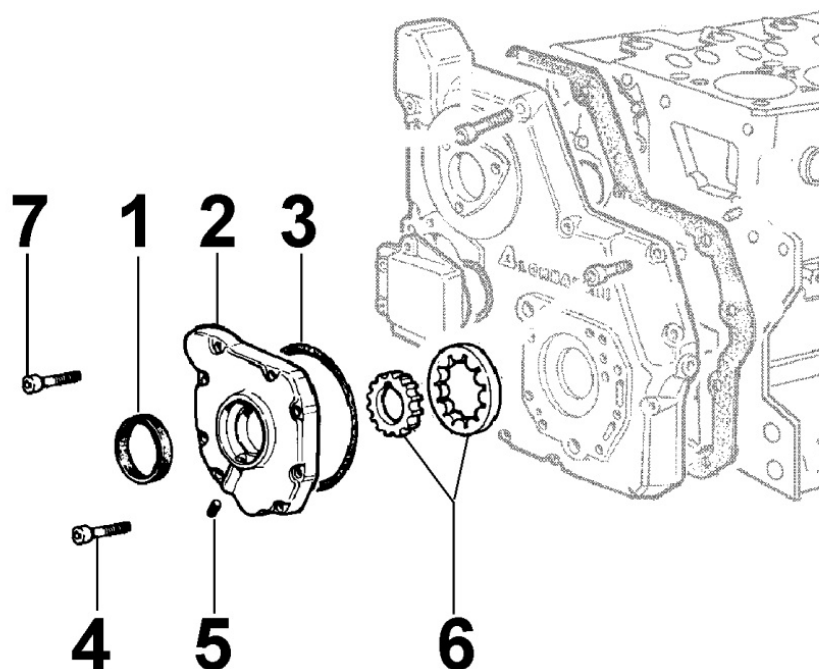
8 038 30



Pos	Kit	Included In	Code	Description	Qty	Old Code	Tech. Info
1			ED0049361670-S	GEAR	1		
2			ED0012002190-S	O-RING	1		
3			ED0098201380-S	SCREW	1		
4			ED0012571560-S	THRUST WASHER	1		
5	(A)		ED0049361650-S	GEAR	1		
6			ED0012571570-S	THRUST WASHER	1		
8			ED0097320740-S	SCREW	4		
9			ED0061300990-S	GEAR SHAFT	1		

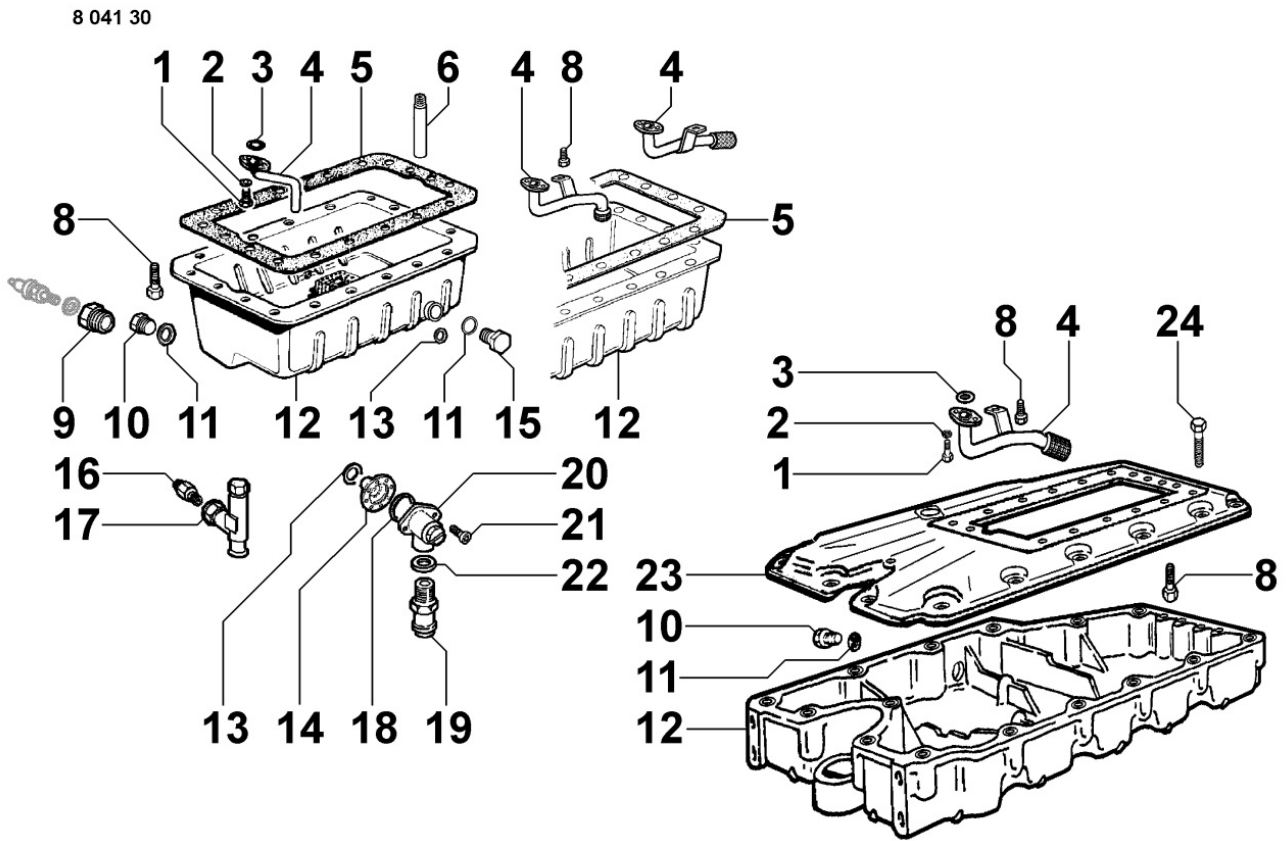
8040300060 - OIL PUMP

8 040 30



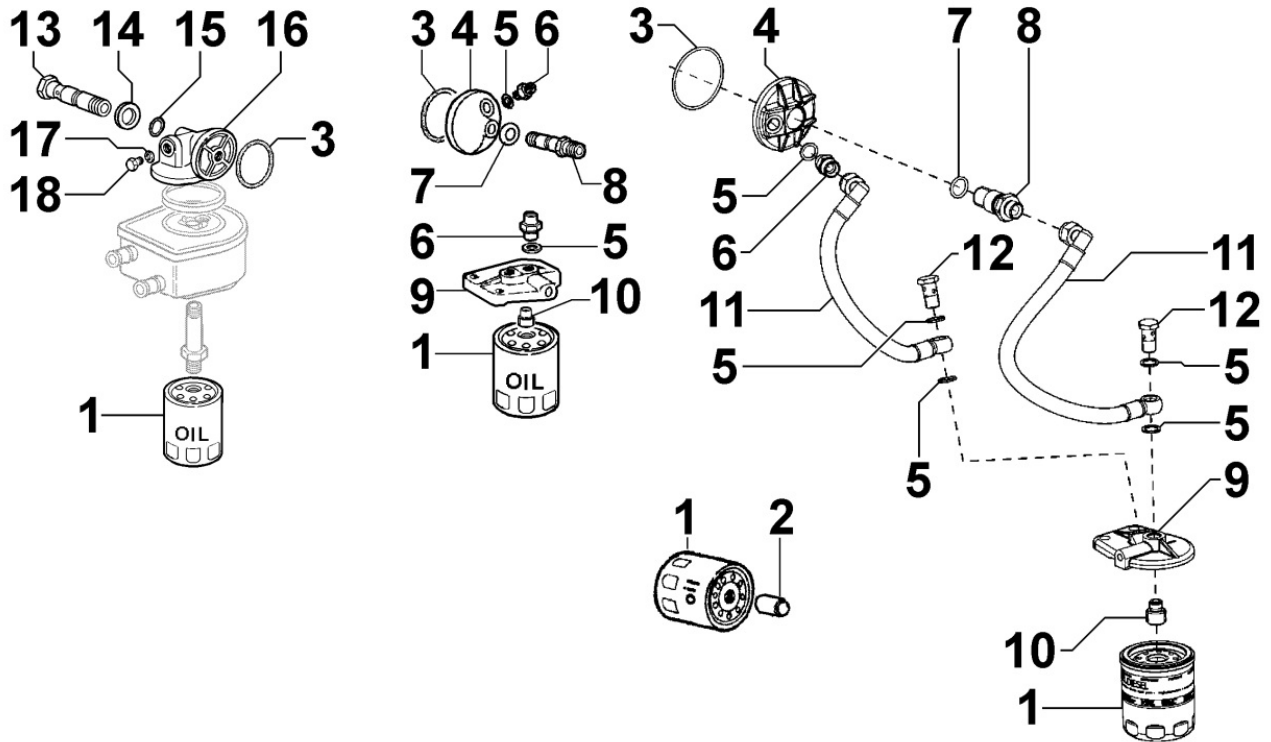
Pos	Kit	Included In	Code	Description	Qty	Old Code	Tech. Info
1		(A)	ED0012133480-S	SEAL RING	1		▲
2	(A)		ED0026500570-S	COVER	1		▲
3			ED0044311490-S	GASKET	1		▲
4			ED0097300120-S	SCREW	7		
6			ED0077501630-S	ROTOR	1		
7			ED0097304160-S	SCREW	2		

8041300010 - OIL PAN



Pos	Kit	Included In	Code	Description	Qty	Old Code	Tech. Info
1			ED0017600050-S	SCREW	2		
2			ED0075650040-S	WASHER	2		
3			ED0012002260-S	O-RING	1		
4			ED0093201360-S	HOSE	1		
5			ED0046010670-S	GASKET	1		
8			ED0017701600-S	SCREW	18		
10			ED0090400350-S	CAP	1		
11			ED0046700880-S	GASKET	1		
12			ED0066455620-S	OIL SUMP	1		⚠

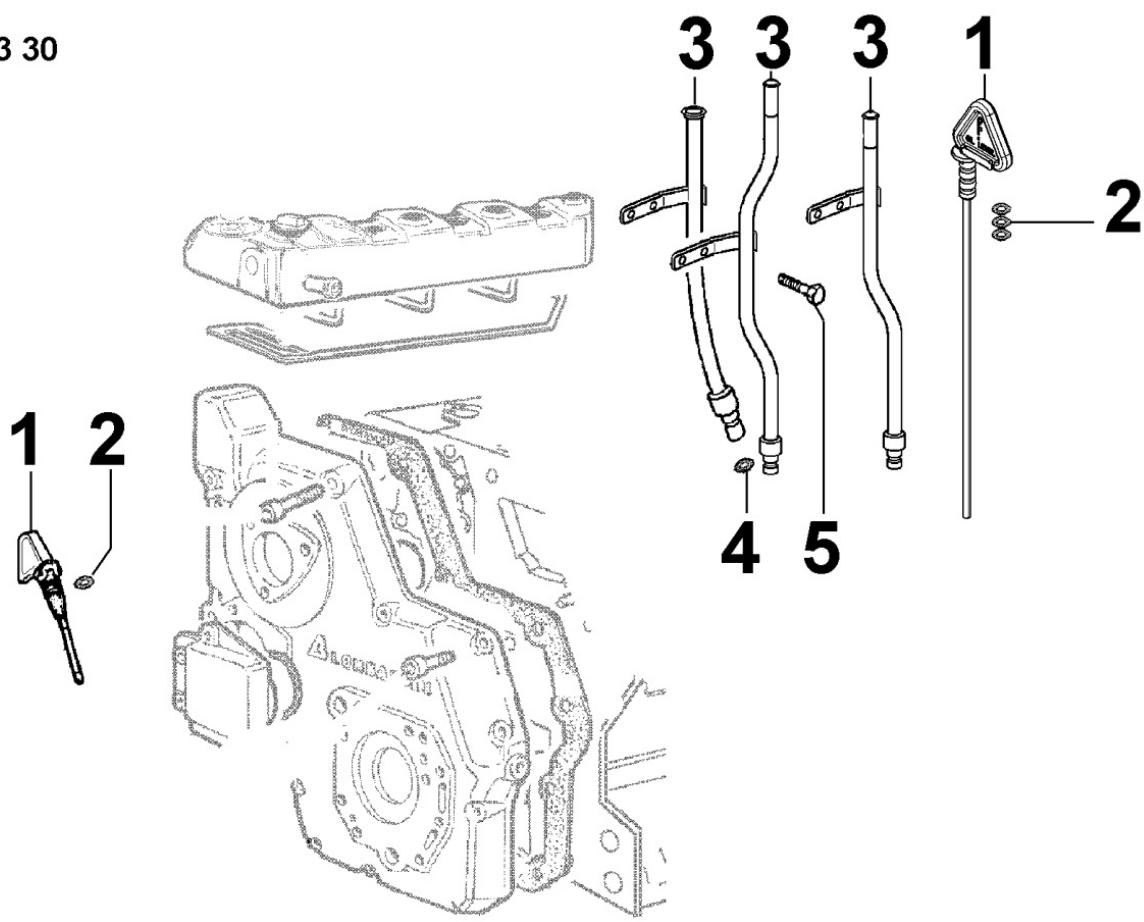
8042300030 - OIL FILTER



Pos	Kit	Included In	Code	Description	Qty	Old Code	Tech. Info
1			ED0021752800-S	OIL CARTRIDGE	1	ED0021751040-S	
2			ED0072650210-S	JOINT	1		

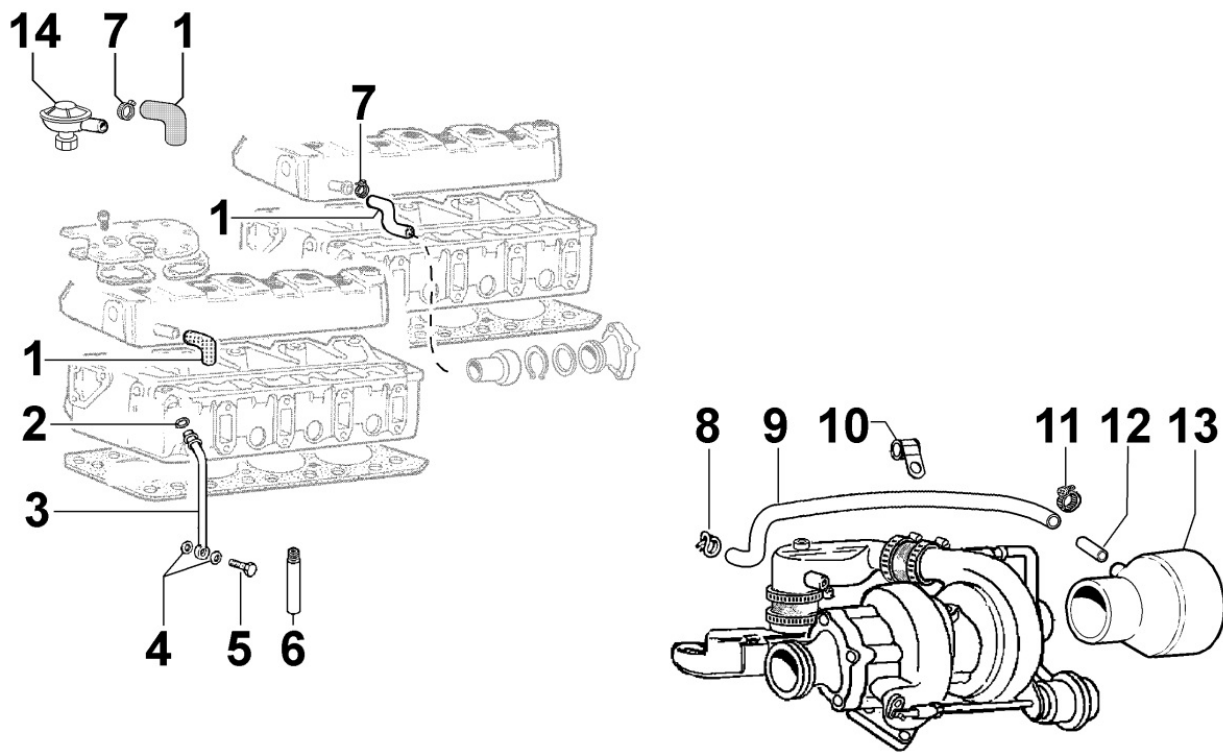
8043300010 - OIL DIPSTICK

8 043 30



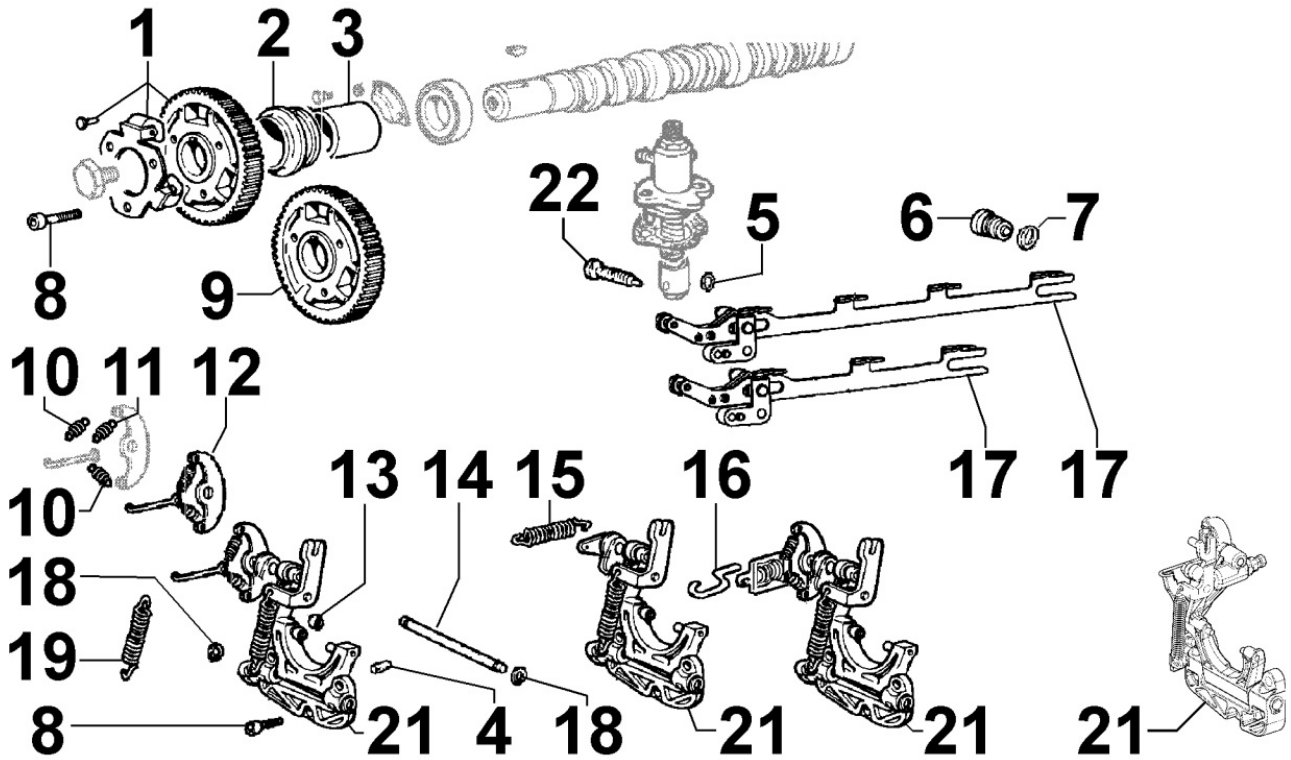
Pos	Kit	Included In	Code	Description	Qty	Old Code	Tech. Info
1	(A)		ED0014002130-S	DIPSTICK	1		

8045300050 - BREATHER SYSTEM



Pos	Kit	Included In	Code	Description	Qty	Old Code	Tech. Info
1			ED0053650990-S	HOSE	1		
2			ED0012002250-S	O-RING	1		
3			ED0094852340-S	OIL PIPE	1		
4			ED0046700610-S	GASKET	2		
5			ED0019010320-S	UNION SCREW	1		
6			ED0095800320-S	PIPE	1		

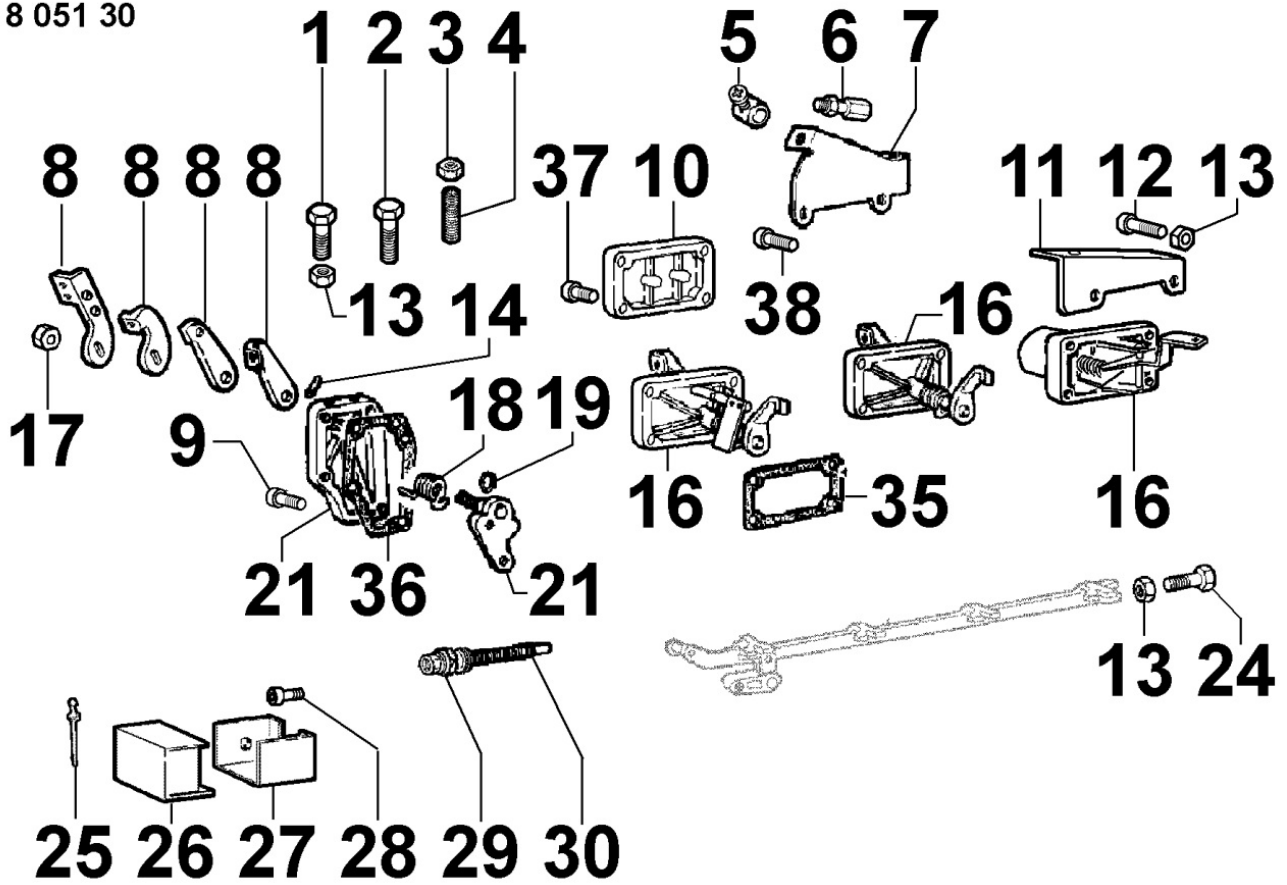
8050300630 - SPEED GOVERNOR



Pos	Kit	Included In	Code	Description	Qty	Old Code	Tech. Info
1	C		ED0073620030-S	GOVERNOR	1		
2			ED0020861220-S	HOUSING	1		
3			ED0034950460-S	SPACER	1		
4			ED0084600550-S	PIN	2		
5			ED0076251240-S	WASHER	1		
6			ED0041901030-S	RING NUT	1		
7			ED0046700210-S	GASKET	1		
8			ED0097300100-S	SCREW	3		
9		(C)	ED0049362490-S	GEAR	1	ED0049363890-S	
10		(A)	ED0056551540-S	SPRING	1		
11		(A)	ED0056551560-S	SPRING	1		
12	A		ED0015412180-S	ROCKER ARM	1		
13			ED0019702030-S	BUSHING	2		
17			ED0013801080-S	ROD	1		
21	B		ED0052009010-S	LEVER	1		
22			ED0097301980-S	SCREW	1		

8051300050 - CONTROLS

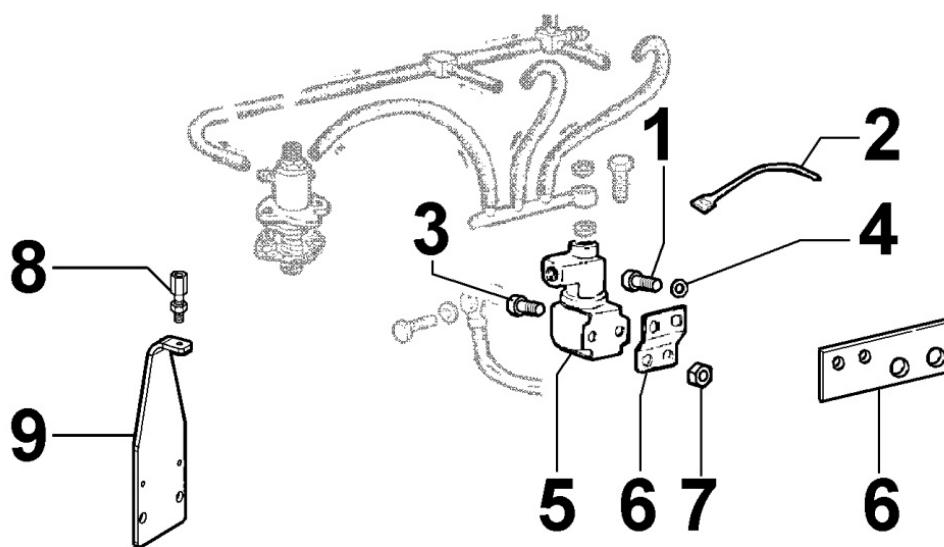
8 051 30



Pos	Kit	Included In	Code	Description	Qty	Old Code	Tech. Info
1			ED0017600820-S	SCREW	2		
16			ED0025161770-S	CONTROL	1		
21	(A)		ED0025161650-S	CONTROL	1		
29			ED0032401520-S	NUT	1		
30			ED0023805220-S	CYLINDER	1		
35			ED0044312050-S	GASKET	1		
36			ED0044312060-S	GASKET	1		
37			ED0097300090-S	SCREW	8		

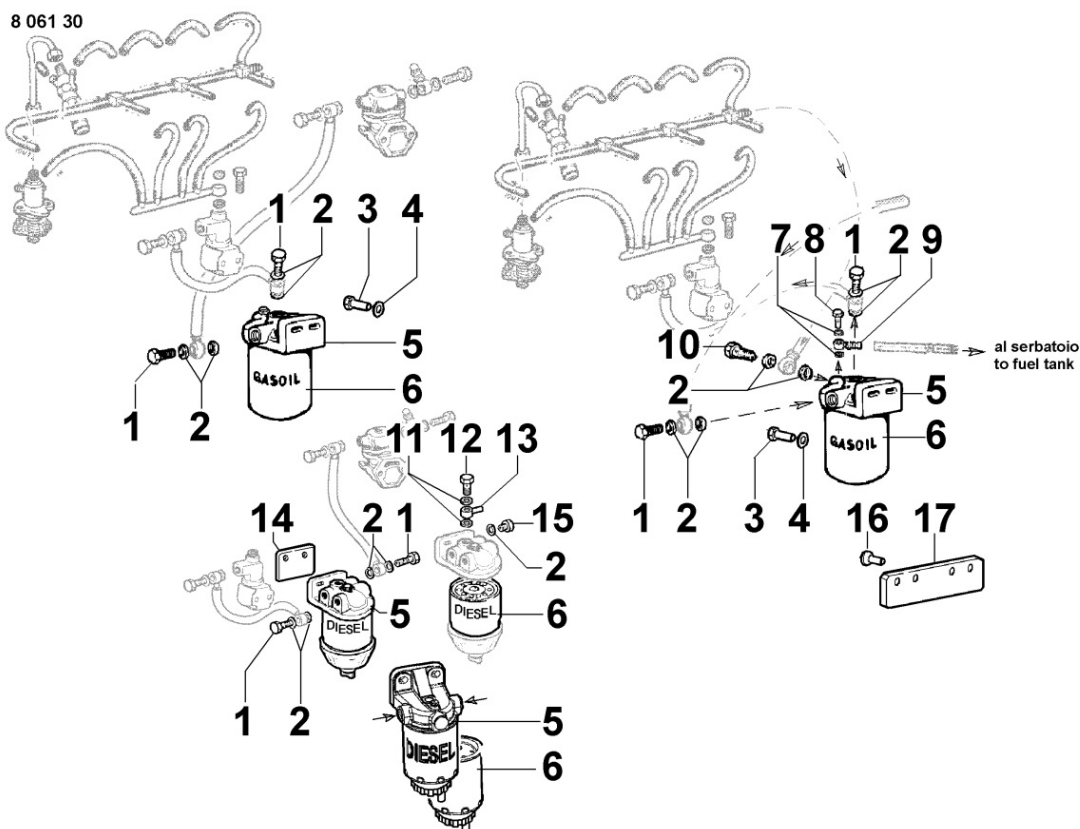
8052300040 - ELECTROVALVE


8 052 30



Pos	Kit	Included In	Code	Description	Qty	Old Code	Tech. Info
1			ED0017600030-S	SCREW	2		
2			ED0024710060-S	CABLE TIE	1		
3			ED0097300080-S	SCREW	2		
4			ED0076250620-S	WASHER	2		
5			ED0035871420-S	SOLENOID VALVE	1		
6			ED0089003270-S	SUPPORT	1		
7			ED0032030500-S	NUT	2		⚠

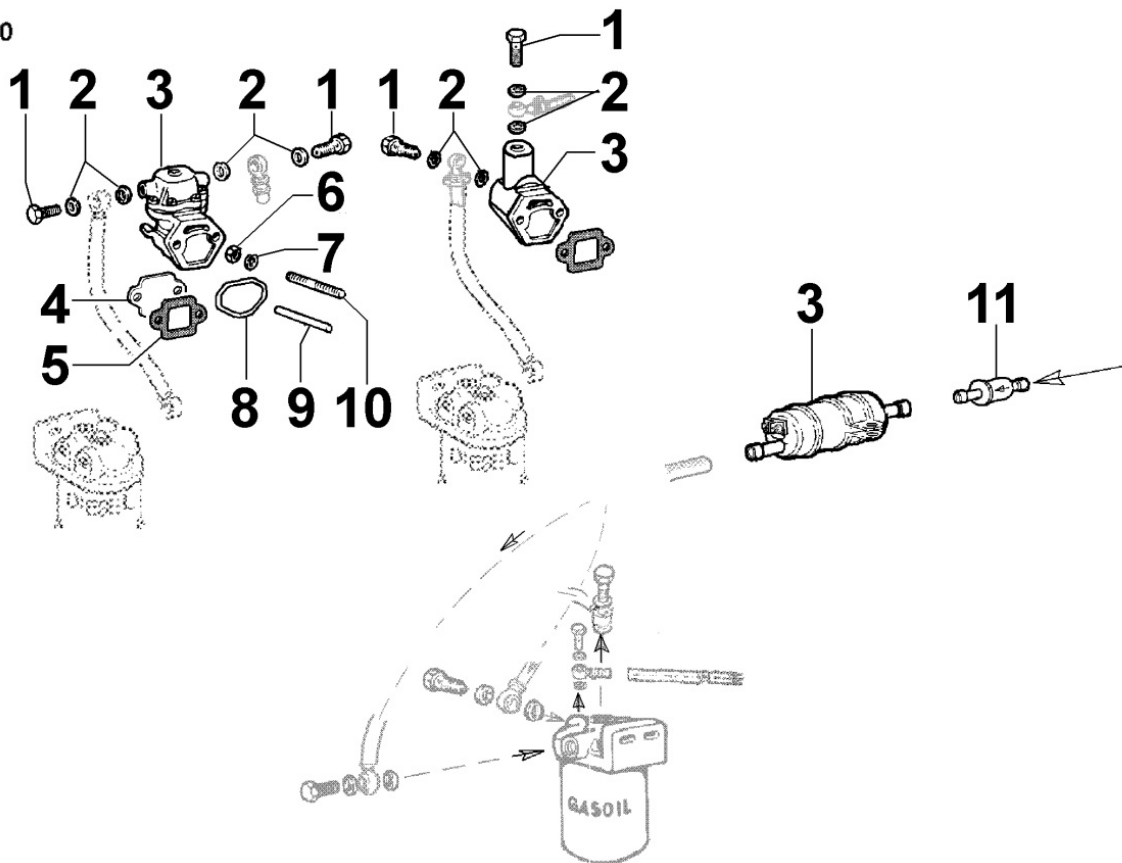
8061300180 - FUEL FILTER



Pos	Kit	Included In	Code	Description	Qty	Old Code	Tech. Info
1			ED0019010320-S	UNION SCREW	2		
2			ED0046700610-S	GASKET	6		
3			ED0017800310-S	SCREW	2		
4			ED0076250200-S	WASHER	2		
5	A		ED0037301260-S	FILTER	1		
6		(A)	ED0021752860-S	FUEL CARTRIDGE	1	ED0021750460-S	
7			ED0046700620-S	GASKET	2		
8			ED0019010330-S	UNION SCREW	1		
9			ED0072702510-S	JOINT	1		
10			ED0096800490-S	VALVE	1		

8062300050 - FUEL FEED PUMP

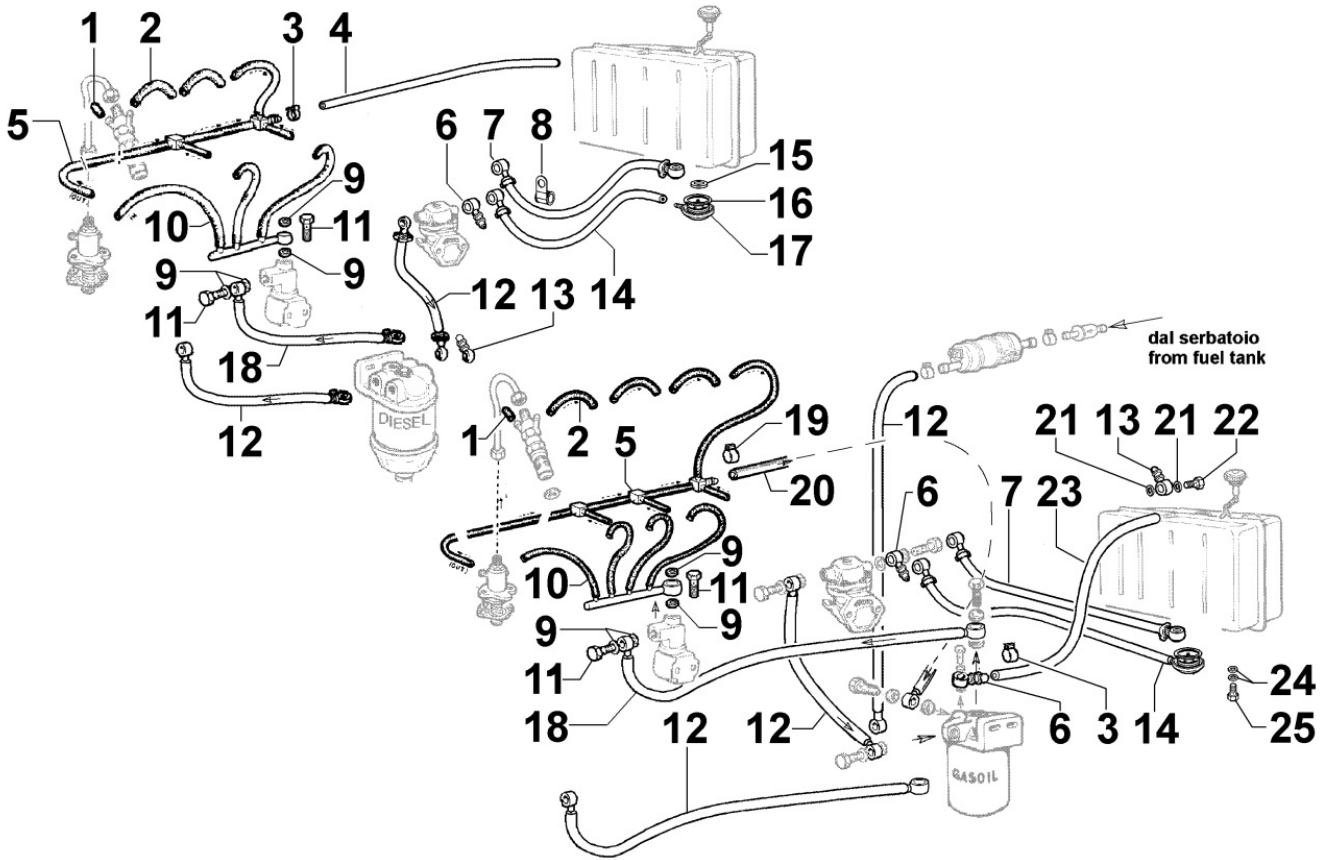
8 062 30



Pos	Kit	Included In	Code	Description	Qty	Old Code	Tech. Info
1			ED0019011930-S	UNION SCREW	2		
2			ED0046700590-S	GASKET	4		
3			ED0065850960-S	LIFT PUMP	1		
6			ED0032401640-S	NUT	2		
7			ED0075550290-S	WASHER	2		
8			ED0012000870-S	O-RING	1		
9			ED0072001970-S	DRIVE ROD	1		
10			ED0067800490-S	STUD	2		

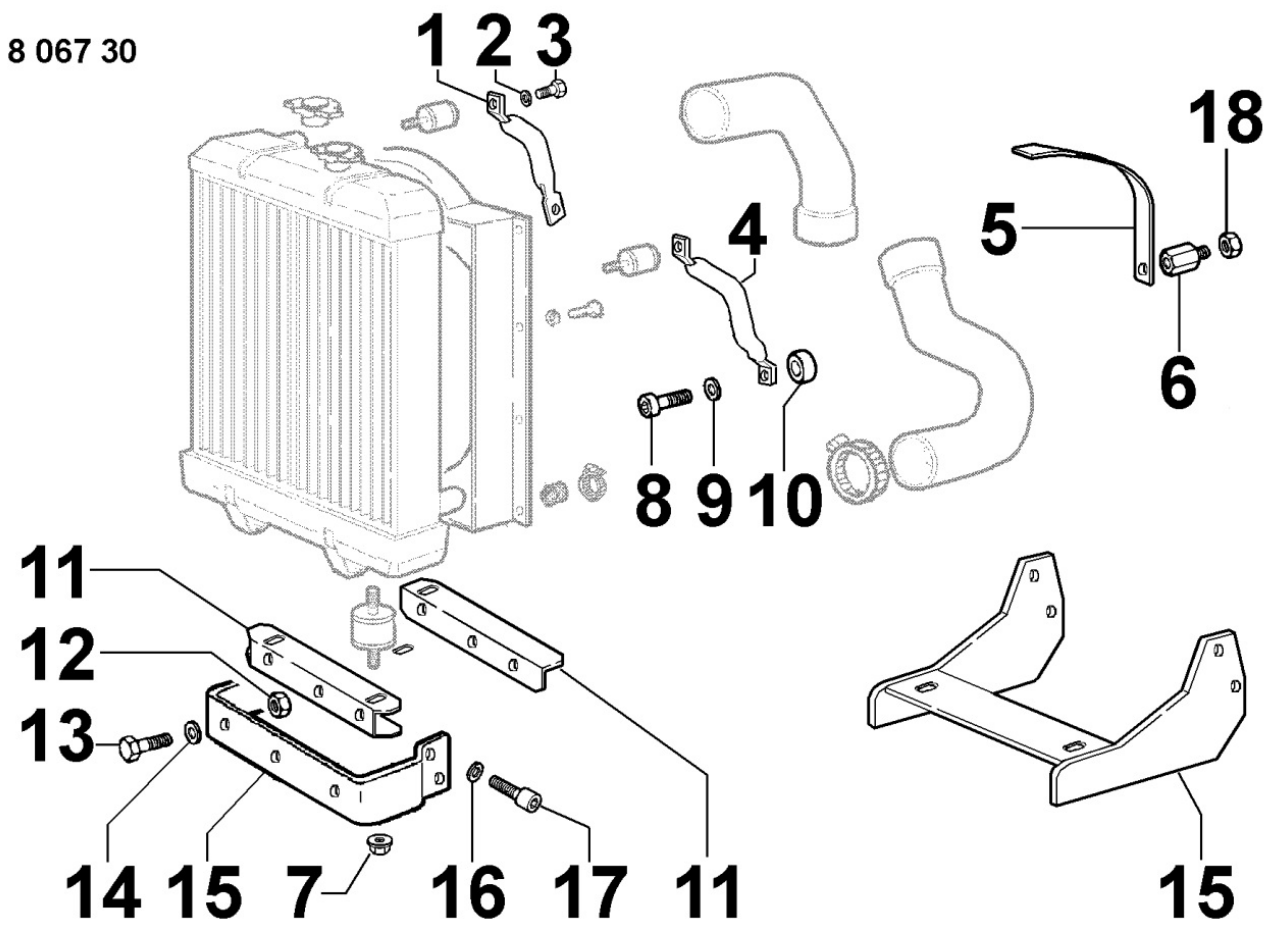
8064300820 - FUEL LINES


8 064 30



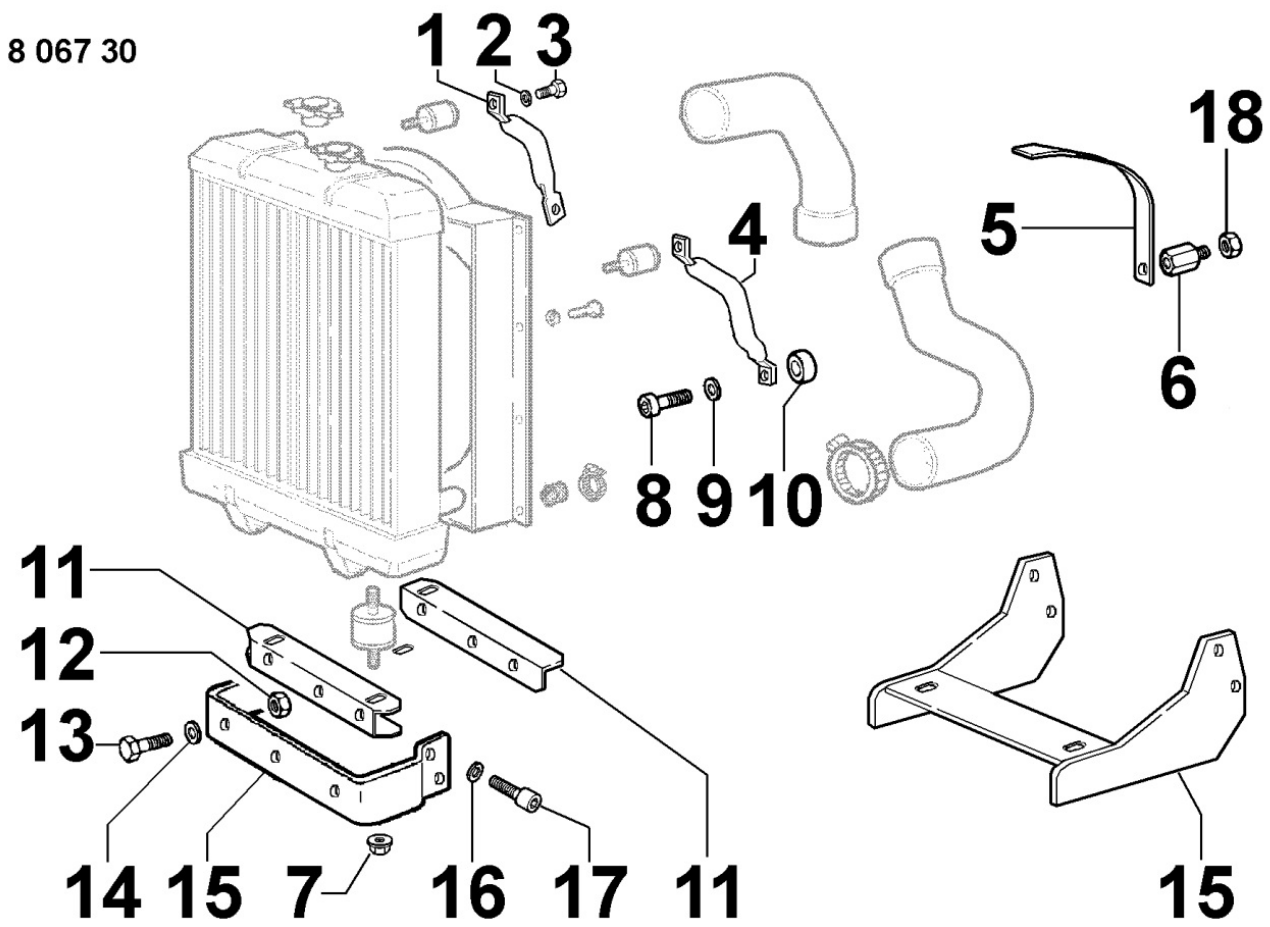
Pos	Kit	Included In	Code	Description	Qty	Old Code	Tech. Info
1			ED0090802620-S	CAP	1		
2			ED0095710910-S	FUEL RETURN HOSE	2		
5			ED0095711570-S	FUEL RETURN HOSE	1		
6			ED0072701380-S	JOINT	1		
9			ED0046700590-S	GASKET	4		
10			ED0093756380-S	FUEL PIPE	1		
11			ED0019011930-S	UNION SCREW	2		⚠
12			ED0093758880-S	FUEL PIPE	1		
18			ED0093756900-S	FUEL PIPE	1		
20			ED0093758630-S	FUEL PIPE	1		

8067300110 - FIXING FOR COOLANT RADIATOR



Pos	Kit	Included In	Code	Description	Qty	Old Code	Tech. Info
1			ED0092651880-S	TIEROD	1		
2			ED0076250070-S	WASHER	2		
4			ED0092651890-S	TIEROD	1		
8			ED0017600030-S	SCREW	2		
11			ED0092850460-S	SUPPORT	1		
12			ED0032030750-S	NUT	2		
13			ED0017701110-S	SCREW	3		
15			ED0088500520-S	SUPPORT	1		
16			ED0076450070-S	WASHER	4		
17			ED0097300680-S	SCREW	4		

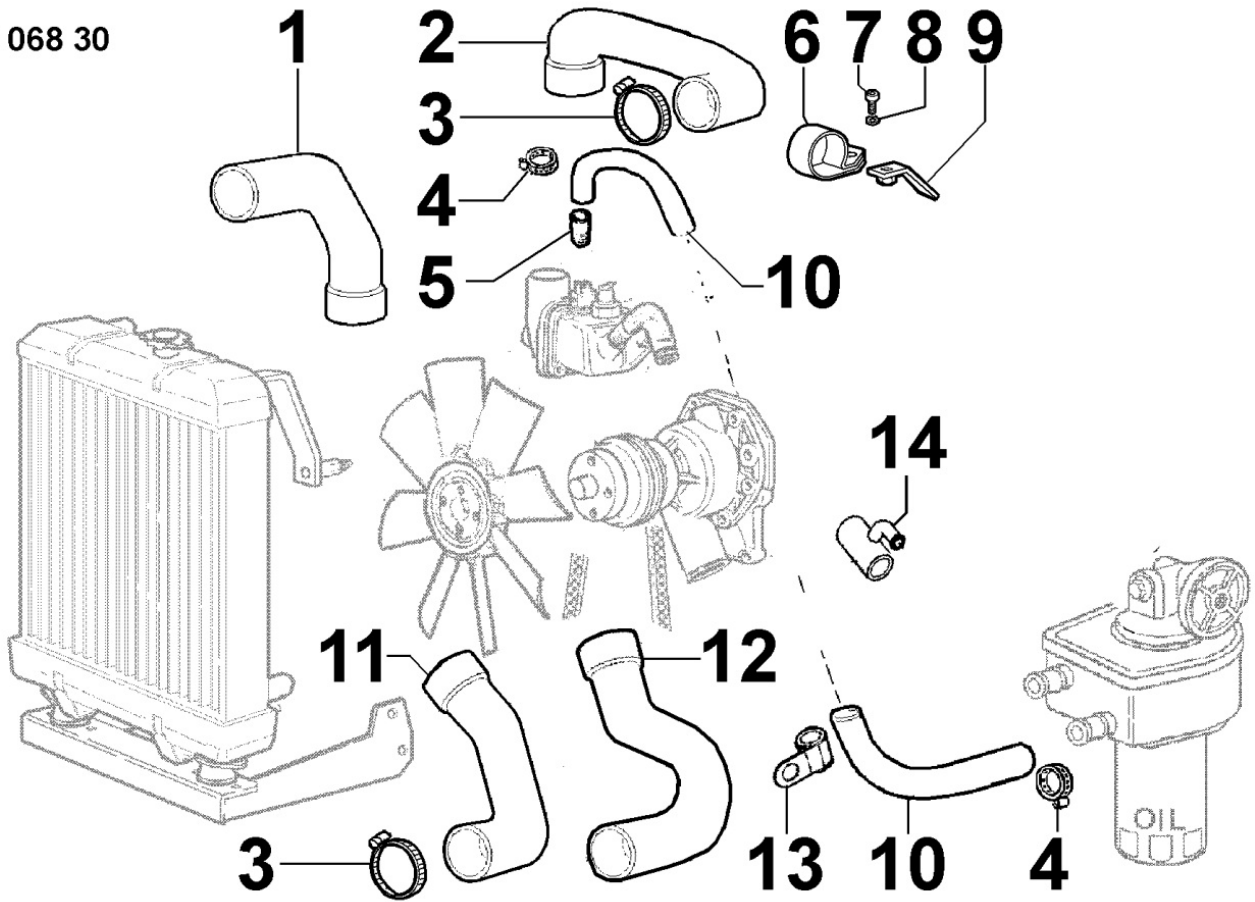
8067300160 - FIXING FOR COOLANT RADIATOR



Pos	Kit	Included In	Code	Description	Qty	Old Code	Tech. Info
1			ED0092651880-S	TIEROD	1		
2			ED0076250070-S	WASHER	2		
3			ED0032030500-S	NUT	2		▲
4			ED0092651890-S	TIEROD	1		
11			ED0092850460-S	SUPPORT	1		
12			ED0032030750-S	NUT	2		
13			ED0017701110-S	SCREW	3		
15			ED0088500710-S	SUPPORT	1		▲
16			ED0076450070-S	WASHER	4		
17			ED0097300680-S	SCREW	4		

8068300010 - COOLANT HOSES

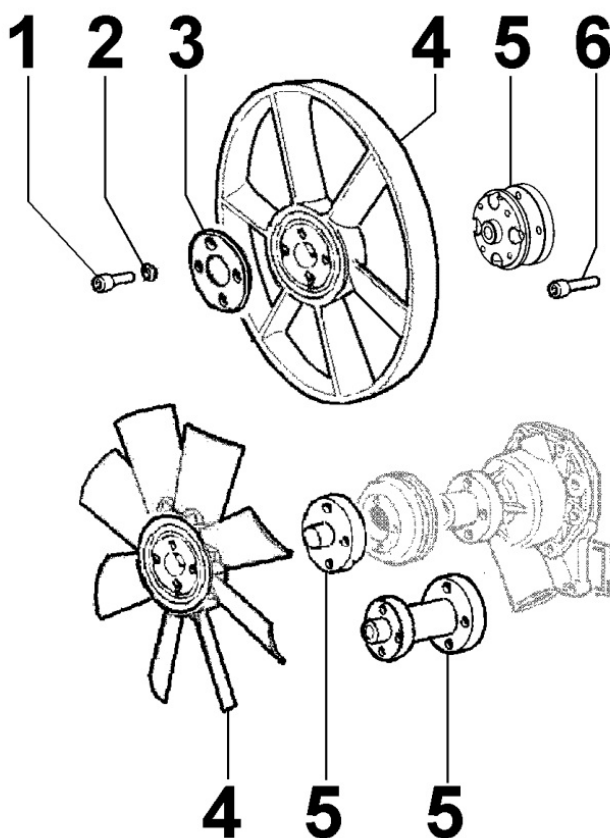
8 068 30



Pos	Kit	Included In	Code	Description	Qty	Old Code	Tech. Info
1			ED0053650920-S	HOSE	1		
3			ED0036300380-S	CLAMP	4		
12			ED0053650910-S	HOSE	1		

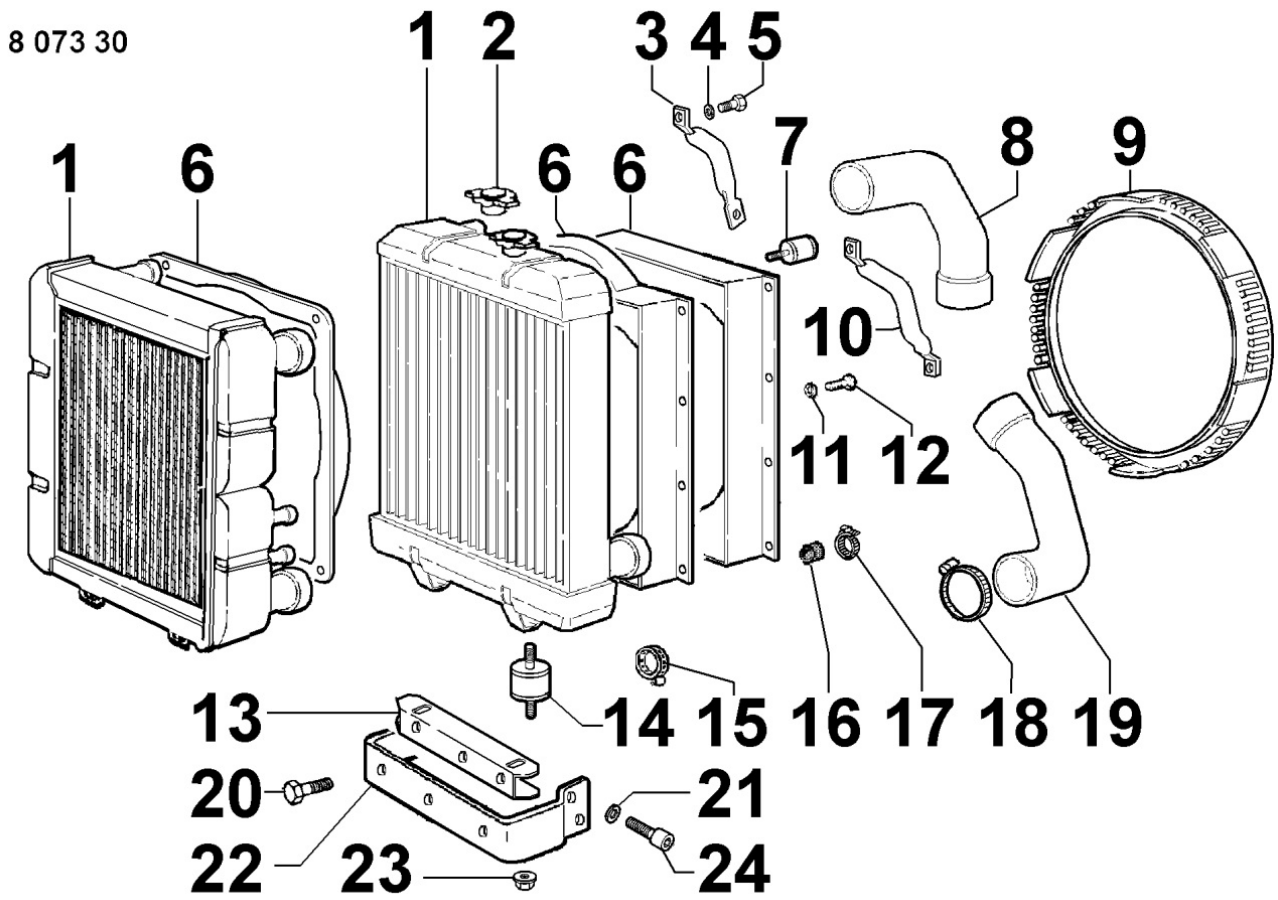
8071300030 - COOLING FAN

8 071 30



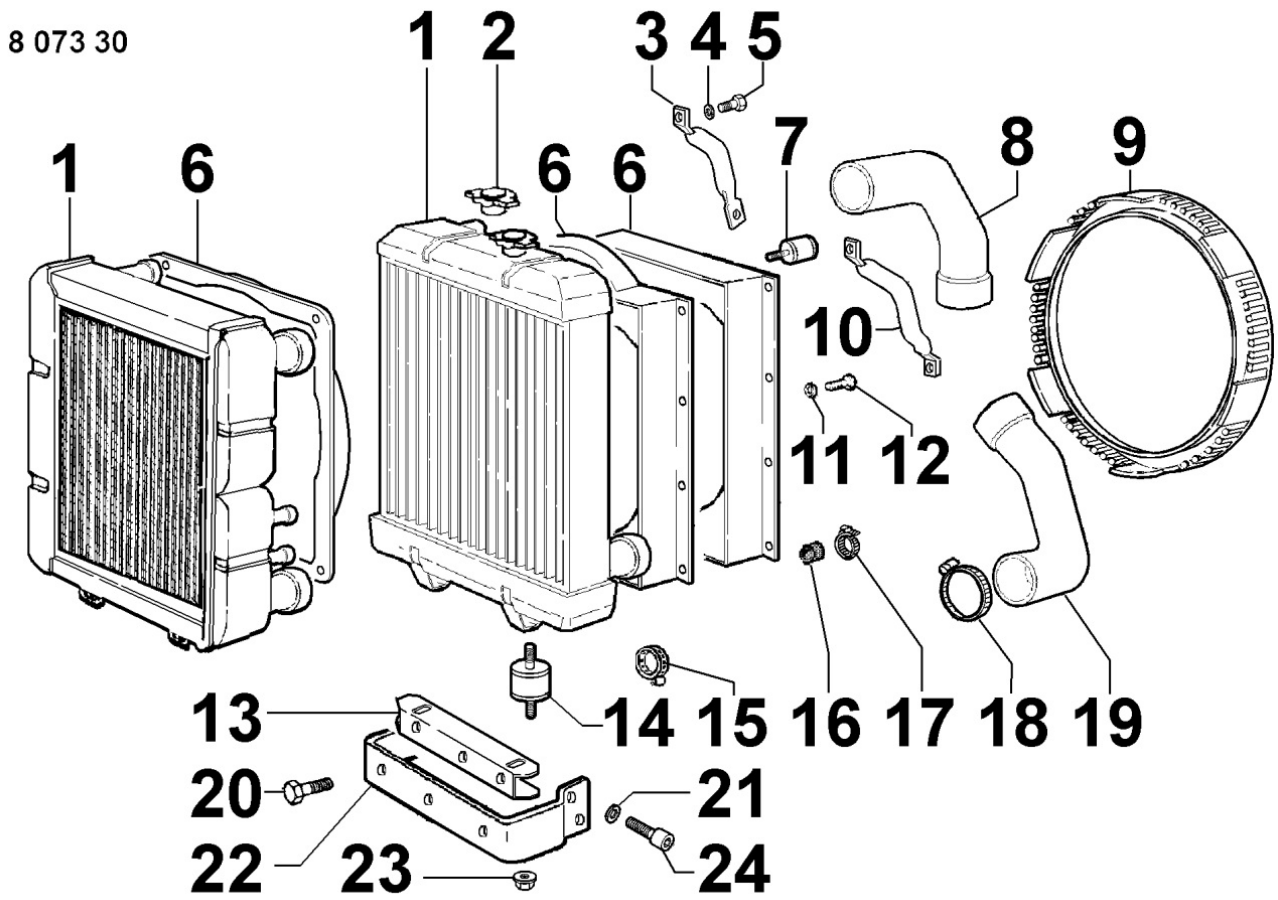
Pos	Kit	Included In	Code	Description	Qty	Old Code	Tech. Info
1			ED0097300150-S	SCREW	4		
2			ED0076250620-S	WASHER	4		
3			ED0062751470-S	PLATE	1		
4			ED0097183240-S	FAN	1		

8073300150 - COOLANT RADIATOR



Pos	Kit	Included In	Code	Description	Qty	Old Code	Tech. Info
1	A		ED0073502910-S	COOLER	1		
2		(A)	ED0090002390-S	CAP	1		
6			ED0025697560-S	SHROUD	1		
7			ED0086362630-S	SILENT BLOCK	2		⚠
11			ED0076250700-S	WASHER	4		
12			ED0097300100-S	SCREW	4		
14			ED0086362640-S	SILENT BLOCK	2		⚠
16			ED0090802070-S	CAP	1		
17			ED0036171680-S	CLAMP	1		

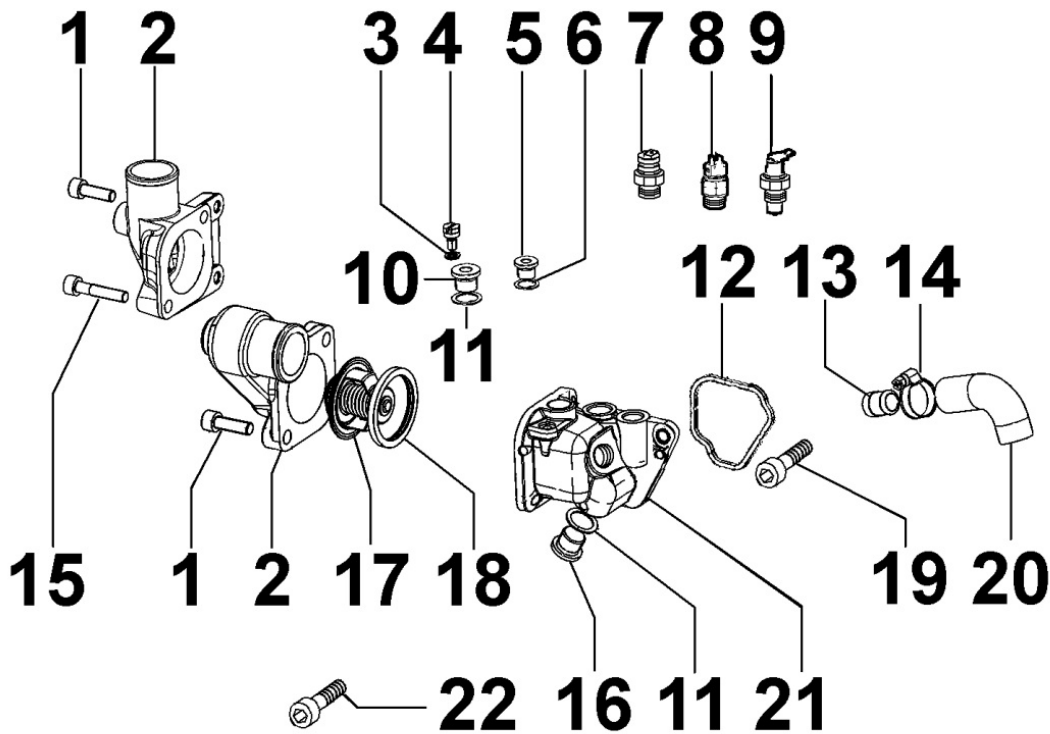
8073301040 - COOLANT RADIATOR




Pos	Kit	Included In	Code	Description	Qty	Old Code	Tech. Info
1	A		ED0073502910-S	COOLER	1		
2		(A)	ED0090002390-S	CAP	1		
6			ED0025697560-S	SHROUD	1		
7			ED0086361450-S	SILENT BLOCK	2		▲
7			ED0086361540-S	SILENT BLOCK	2		▲
11			ED0076250700-S	WASHER	4		
12			ED0097300100-S	SCREW	4		
16			ED0090802070-S	CAP	1		
17			ED0036171680-S	CLAMP	1		

8074300590 - THERMOSTAT UNIT

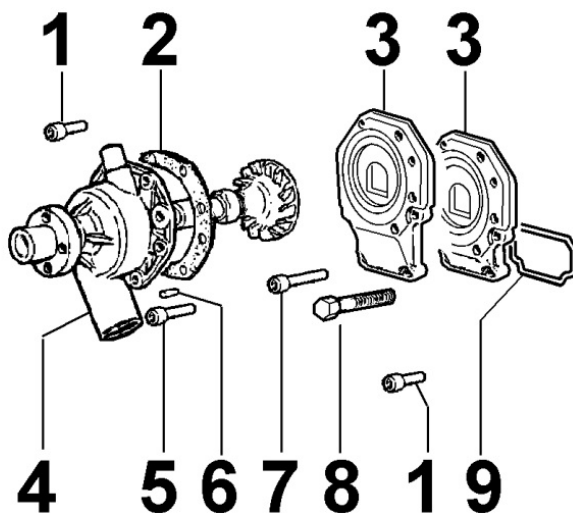
8 074 30



Pos	Kit	Included In	Code	Description	Qty	Old Code	Tech. Info
1		(A)	ED0097301000-S	SCREW	1		
2		(A)		POS. 21			
3		(A)	ED0046700010-S	GASKET	1		
4		(A)	ED0090800370-S	CAP	1		
7			ED0091950770-S	SENSOR	1		
10		(A)	ED0090400310-S	CAP	2		
11		(A)	ED0046700190-S	GASKET	1		
12			ED0012002390-S	O-RING	1		
13		(A)	ED0072850240-S	JOINT	1		
14			ED0036301470-S	CLAMP	1		
15		(A)	ED0097300310-S	SCREW	1		
17		(A)	ED0091950010-S	VALVE	1		
18		(A)	ED0044201220-S	GASKET	1		
19			ED0097302670-S	SCREW	1		
20		(A)	ED0093050190-S	HOSE	1		
21	A		ED0048966780-S	SPARE KIT	1		
22			ED0097320740-S	SCREW	1		

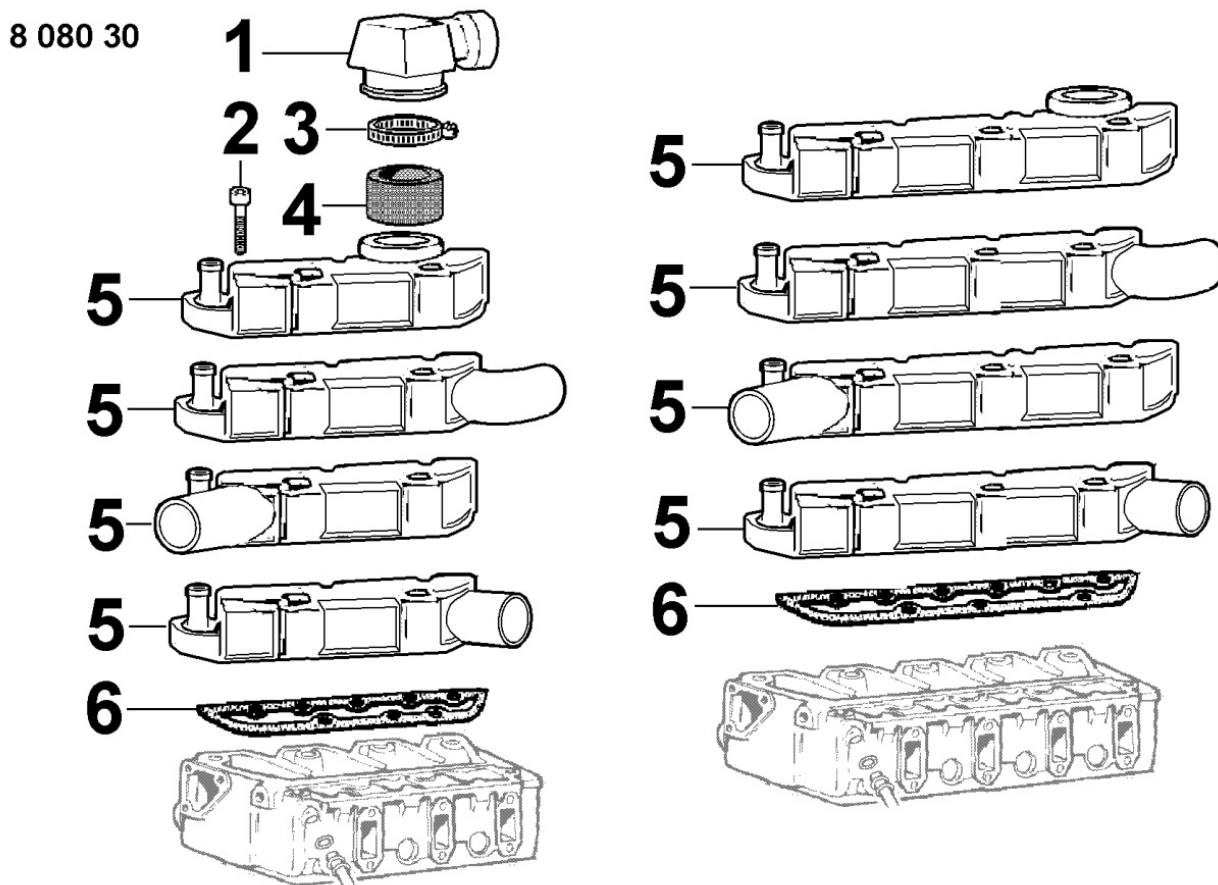
8077300160 - COOLANT PUMP


8 077 30 015 0 Pompa acqua
Water pump



Pos	Kit	Included In	Code	Description	Qty	Old Code	Tech. Info
1			ED0097301000-S	SCREW	3		
2		(A)	ED0045801780-S	GASKET	1		
3		(A)		POS. 4			
4			ED0065844450-S	COOLANT PUMP	1		
6		(A)	ED0084000480-S	PIN	1		
8			ED0097320370-S	SCREW	1		
9			ED0012001160-S	O-RING	1		

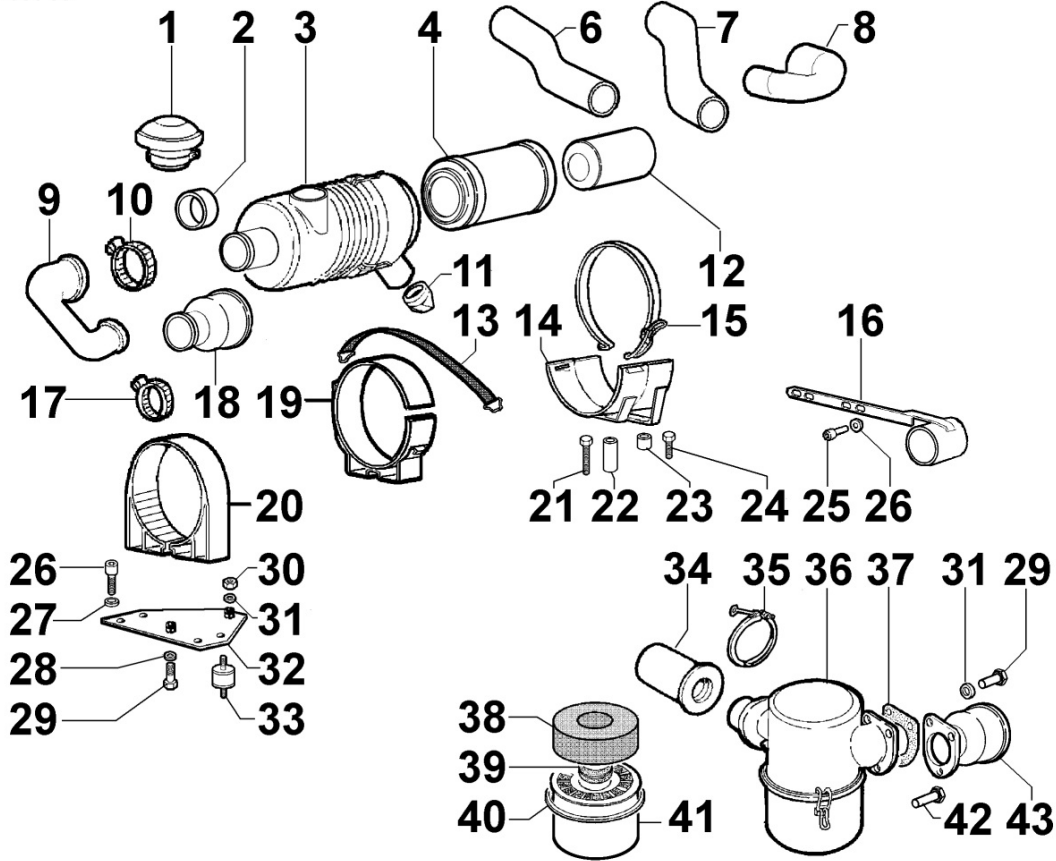
8080300190 - AIR INLET MANIFOLD / AIR FILTER



Pos	Kit	Included In	Code	Description	Qty	Old Code	Tech. Info
2			ED0097300350-S	SCREW	5		
5			ED0024863670-S	MANIFOLD	1		
6			ED0044200840-S	GASKET	1		

8081300460 - AIR FILTER

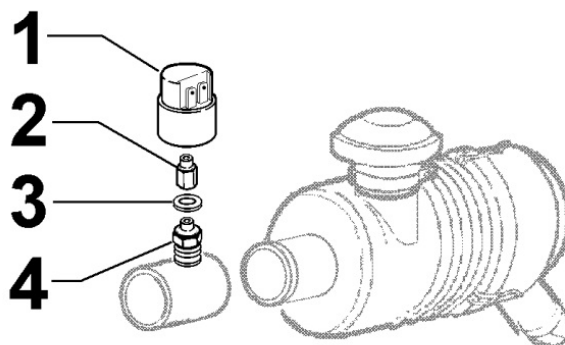
8 081 30



Pos	Kit	Included In	Code	Description	Qty	Old Code	Tech. Info
1			ED0021360530-S	CAP	1		
3	(A)		ED0037004560-S	FILTER	1		
4		(A)	ED0021751240-S	AIR CARTRIDGE	1		
8			ED0053651400-S	HOSE	1		
11		(A)	ED0064910310-S	GROMMET	1		
17			ED0036300220-S	CLAMP	1		
17			ED0036300700-S	CLAMP	1		
20			ED0085455660-S	BRACKET	1		
26			ED0097320740-S	SCREW	4		
28			ED0076250100-S	WASHER	2		
29			ED0017700060-S	SCREW	2		
32			ED0085456540-S	BRACKET	1		

8084300010 - AIR FILTER DUST INDICATOR

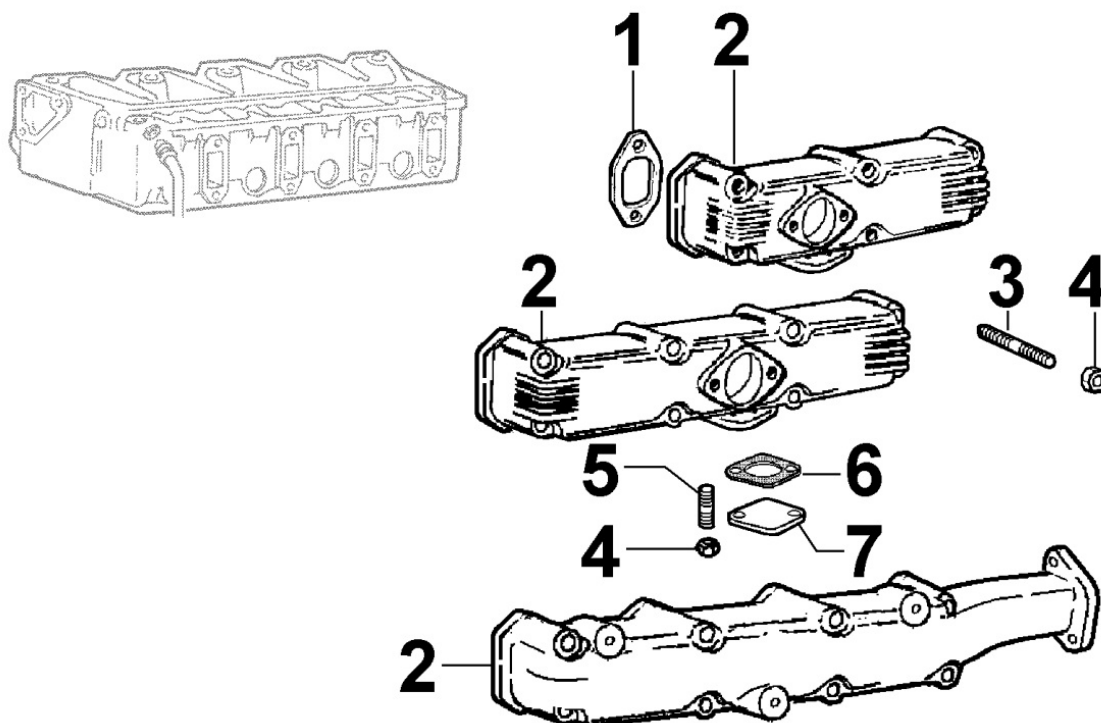
8 084 30



Pos	Kit	Included In	Code	Description	Qty	Old Code	Tech. Info
1			ED0097001000-S	VALVE	1		

8085300030 - EXHAUST GAS MANIFOLD

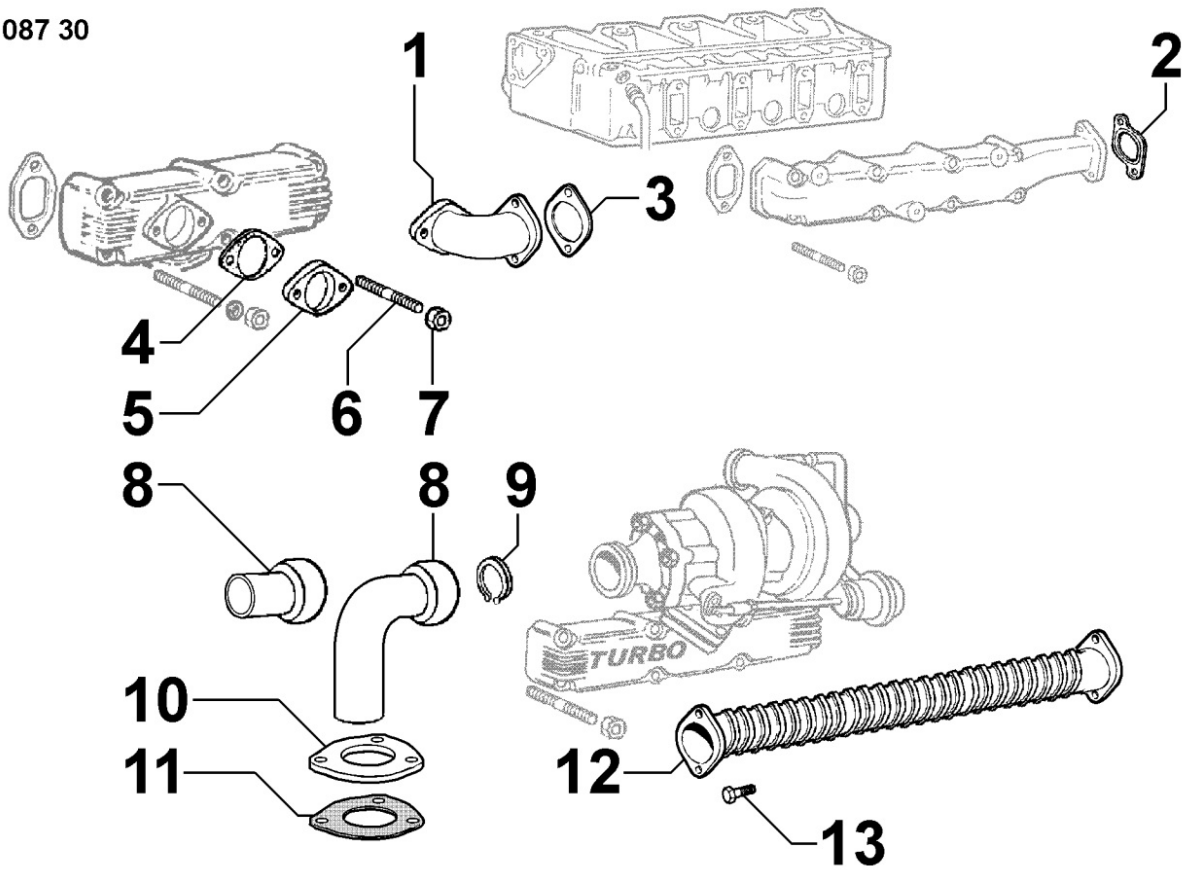
8 085 30



Pos	Kit	Included In	Code	Description	Qty	Old Code	Tech. Info
1			ED0044200710-S	GASKET	3		
2			ED0024860030-S	MANIFOLD	1		
3			ED0067800280-S	STUD	6		
4			ED0032401630-S	NUT	6		

8087300070 - EXHAUST GAS ACCESSORIES

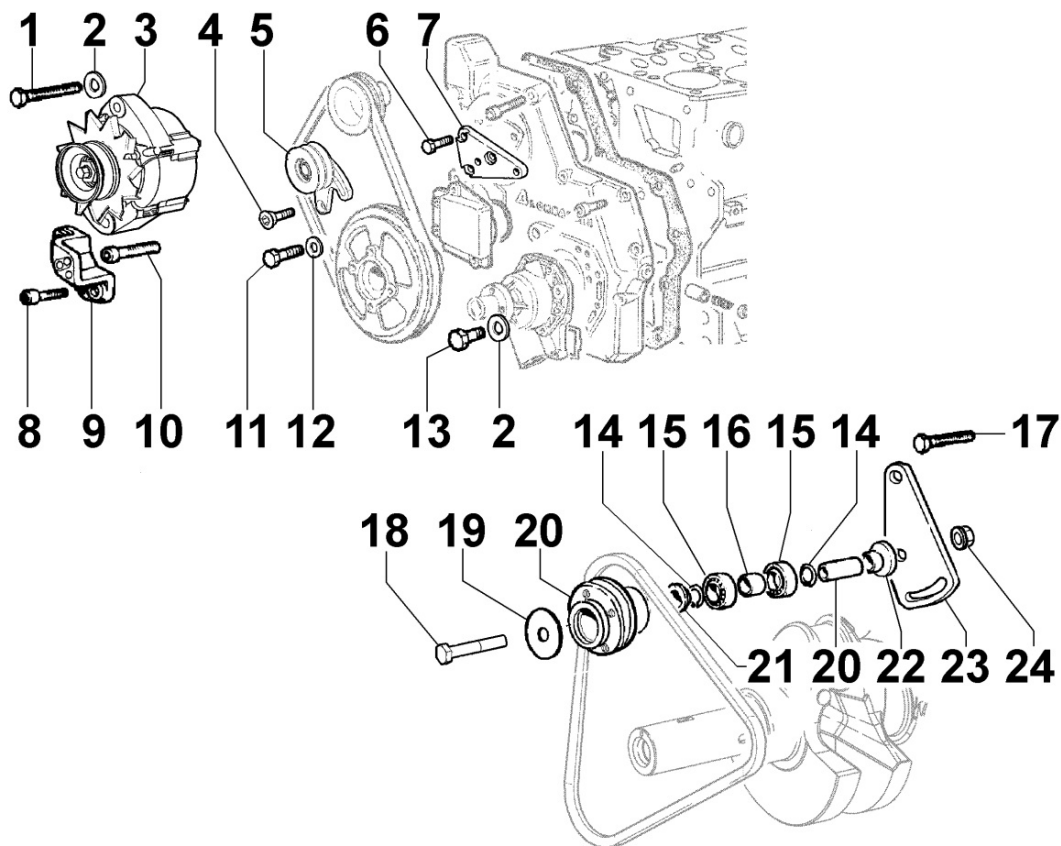
8 087 30



Pos	Kit	Included In	Code	Description	Qty	Old Code	Tech. Info
4			ED0045011180-S	GASKET	1		
5			ED0038150130-S	FLANGE	1		
6			ED0067801710-S	STUD	2		
7			ED0032401630-S	NUT	2		

8100300180 - VOLTAGE ALTERNATOR

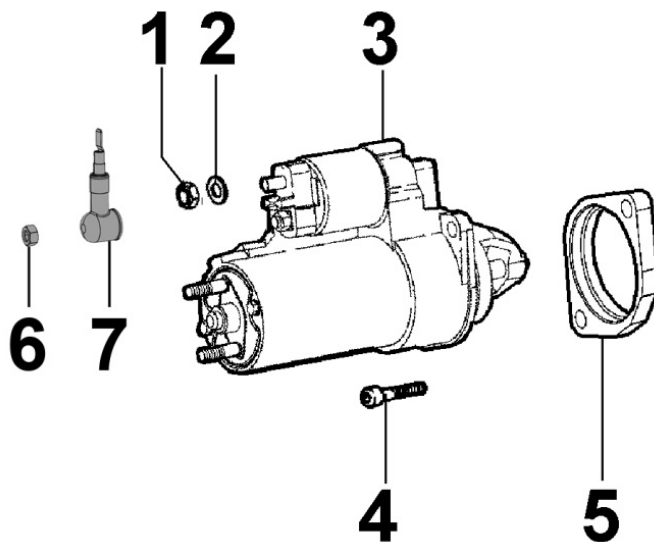
8 100 30



Pos	Kit	Included In	Code	Description	Qty	Old Code	Tech. Info
1			ED0017800270-S	SCREW	2		
2			ED0076252560-S	WASHER	2		
3			ED0011573600-S	ALTERNATOR	1		
8			ED0097301000-S	SCREW	2		
9			ED0087250520-S	SUPPORT	1		
10			ED0097300310-S	SCREW	1		

8101300010 - STARTING MOTOR

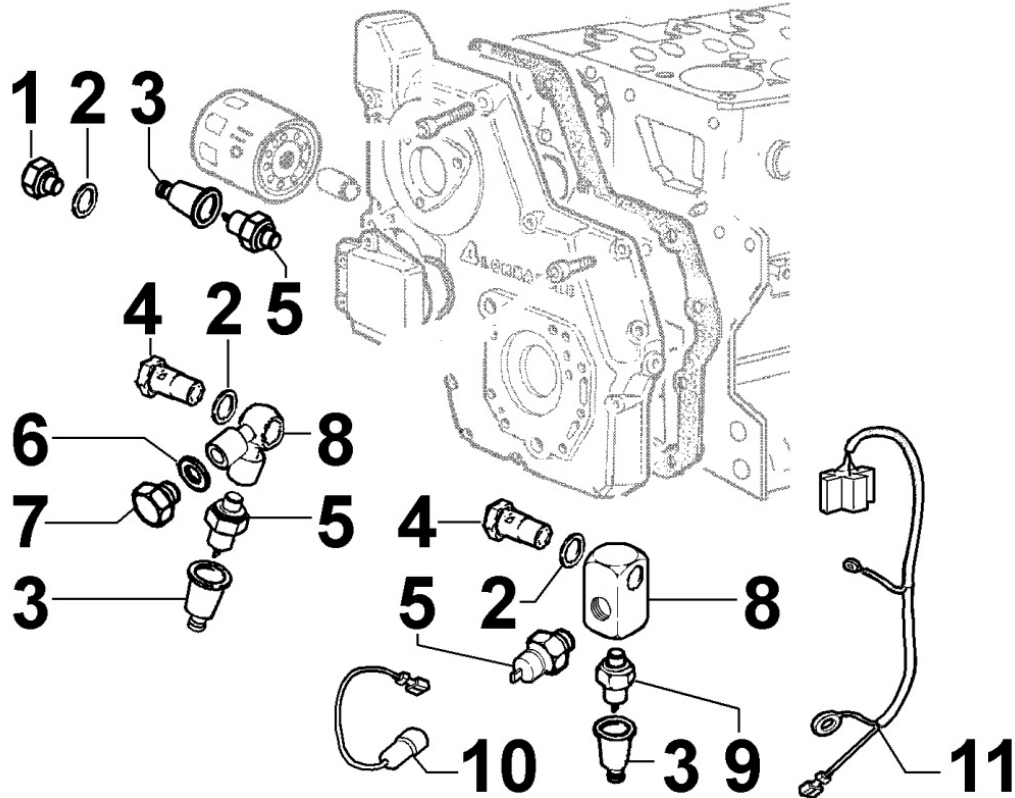
8 101 30



Pos	Kit	Included In	Code	Description	Qty	Old Code	Tech. Info
1			ED0032400180-S	NUT	1		
2			ED0075650070-S	WASHER	1		
3			ED0058402810-S	STARTER MOTOR	1	ED0058401910-S	
4			ED0097300450-S	SCREW	2		

8102300040 - OIL PRESSURE SWITCH

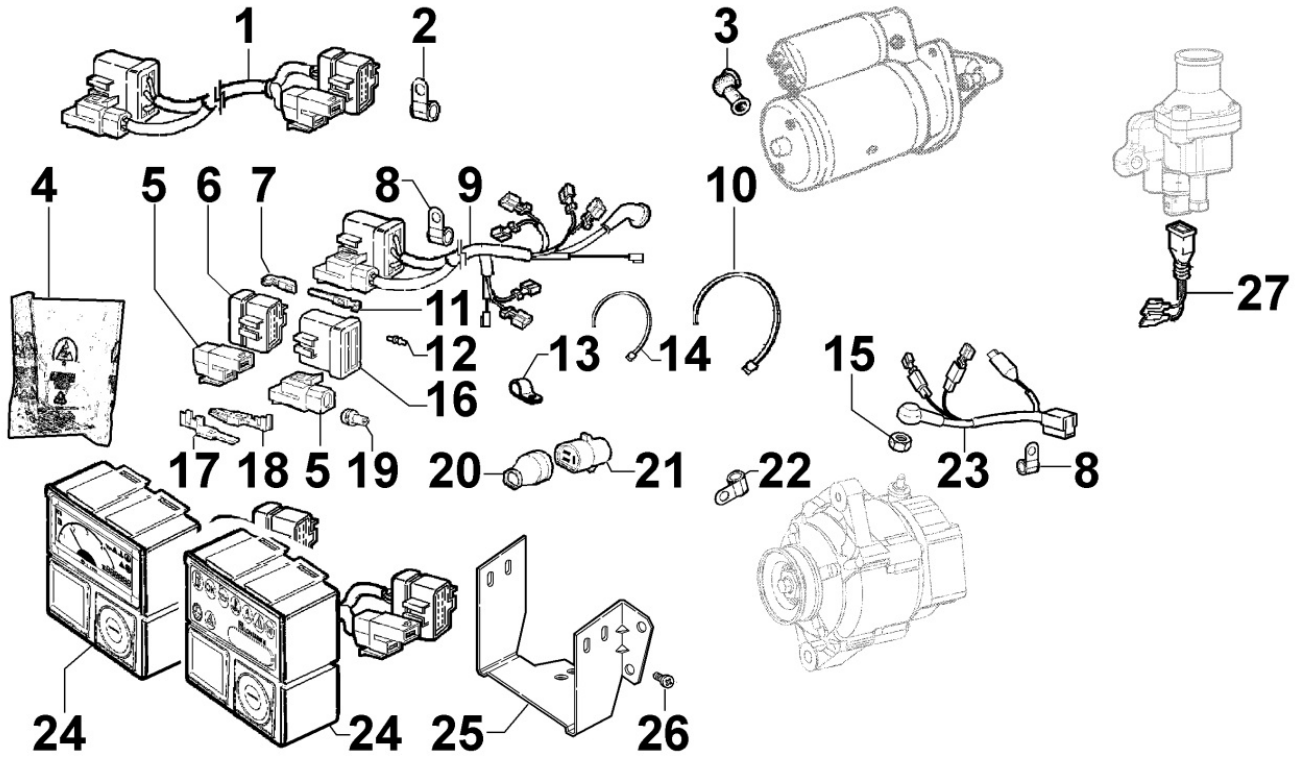
8 102 30




Pos	Kit	Included In	Code	Description	Qty	Old Code	Tech. Info
3			ED0064910130-S	GROMMET	1		
5			ED0067450560-S	SWITCH	1		

8103300210 - CONTROL PANEL / ENGINE WIRES

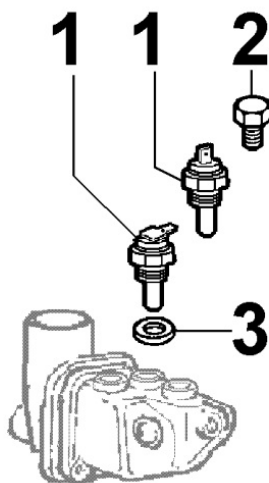
8 103 30



Pos	Kit	Included In	Code	Description	Qty	Old Code	Tech. Info
0			ED0076250080-S	WASHER	1		
0			ED0097300100-S	SCREW	1		
2			ED0036171470-S	CLAMP	1		
4	(A)		ED0048963870-S	SPARE KIT	1		
8			ED0036170880-S	CLAMP	1		
9			ED0021861830-S	CABLE	1		
10			ED0024711110-S	CABLE TIE	1		
14			ED0024710190-S	CABLE TIE	1		
15			ED0032400080-S	NUT	1		
16			ED0015571180-S	JUNCTION BLOCK	1		

8104300010 - TEMPERATURE SENSORS

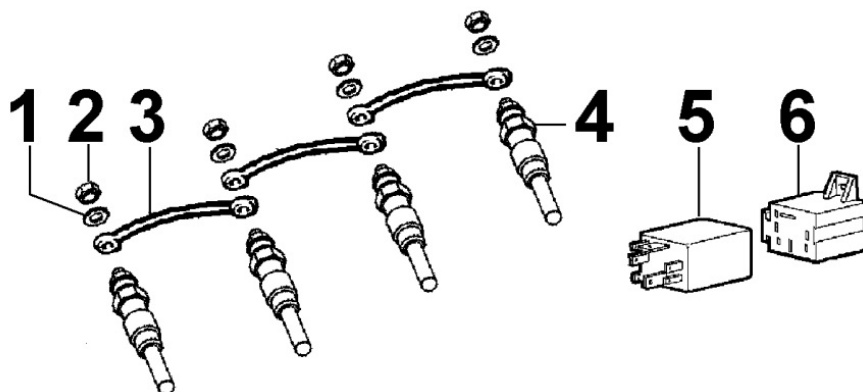
8 104 30



Pos	Kit	Included In	Code	Description	Qty	Old Code	Tech. Info
1			ED0091950940-S	SENSOR	1		
3			ED0046700610-S	GASKET	1		

8106300150 - GLOW PLUGS / PRE-HEATING RELAY

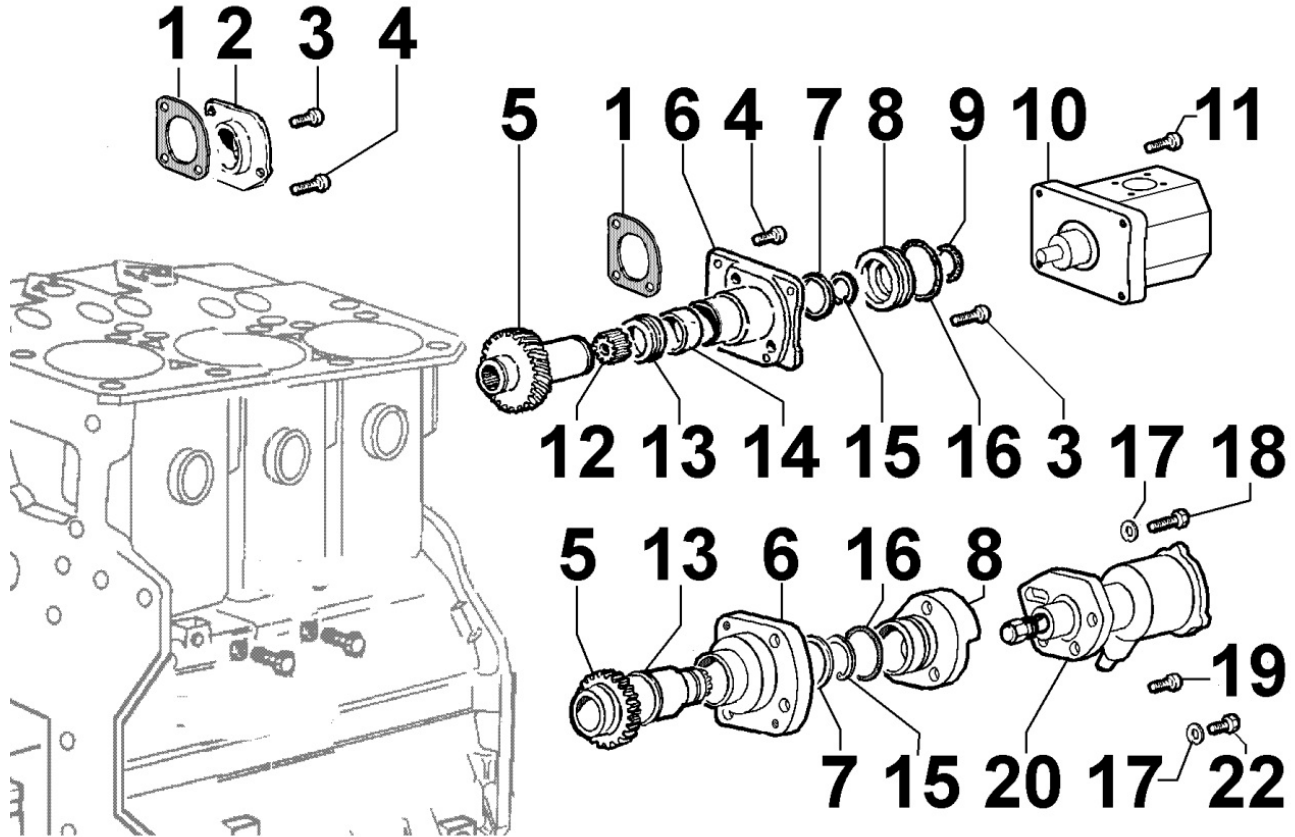
8 106 30



Pos	Kit	Included In	Code	Description	Qty	Old Code	Tech. Info
1		(A)	ED0076260660-S	WASHER	3		
2		(A)	ED0032400040-S	NUT	3		
3			ED0021855480-S	CABLE	2		
4	A		ED0021001110-S	GLOW PLUG	3		
5			ED0021931340-S	12V GLOW PLUG CONTROL UNIT	1		
6			ED0058301610-S	CONNECTOR	1		

8140300010 - 3rd PTO

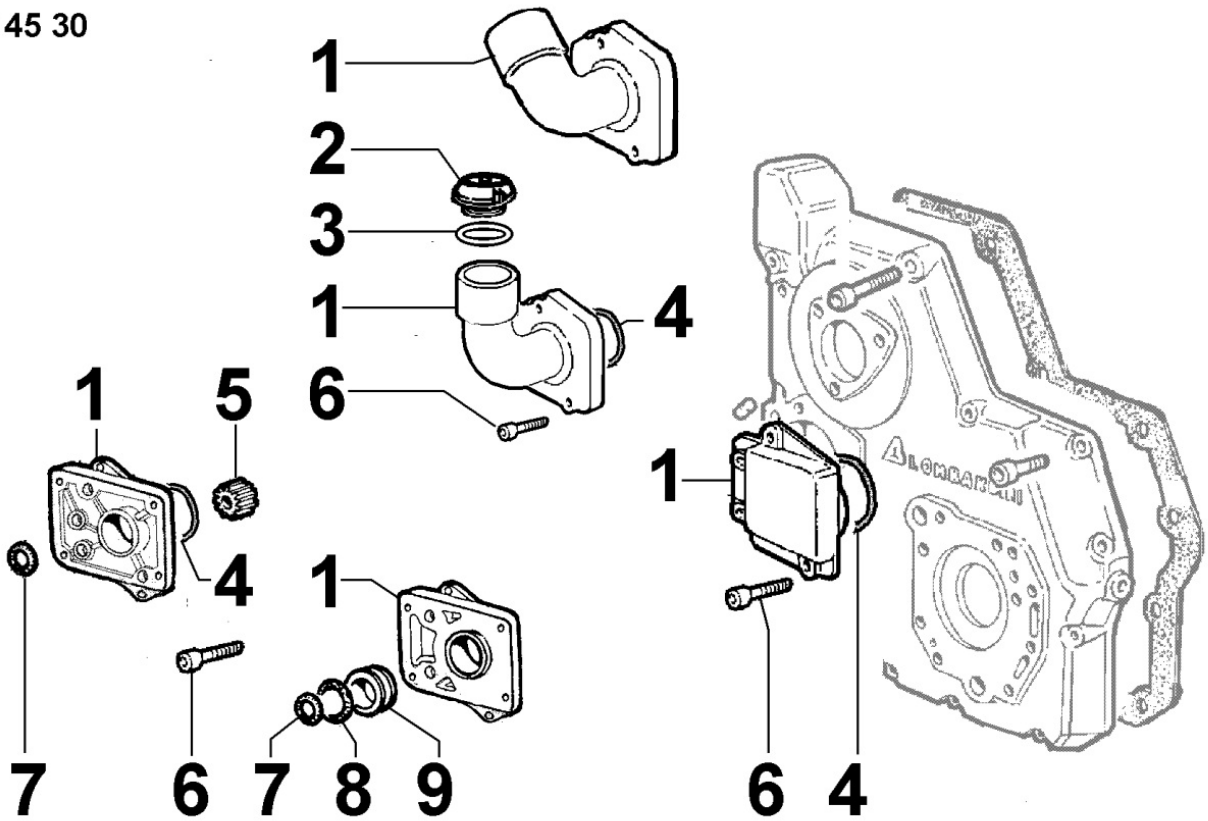
8 140 30



Pos	Kit	Included In	Code	Description	Qty	Old Code	Tech. Info
1			ED0045801850-S	GASKET	1		
2			ED0026500620-S	COVER	1		
3			ED0097320740-S	SCREW	1		
4			ED0097300240-S	SCREW	2		

8145300010 - 4th PTO

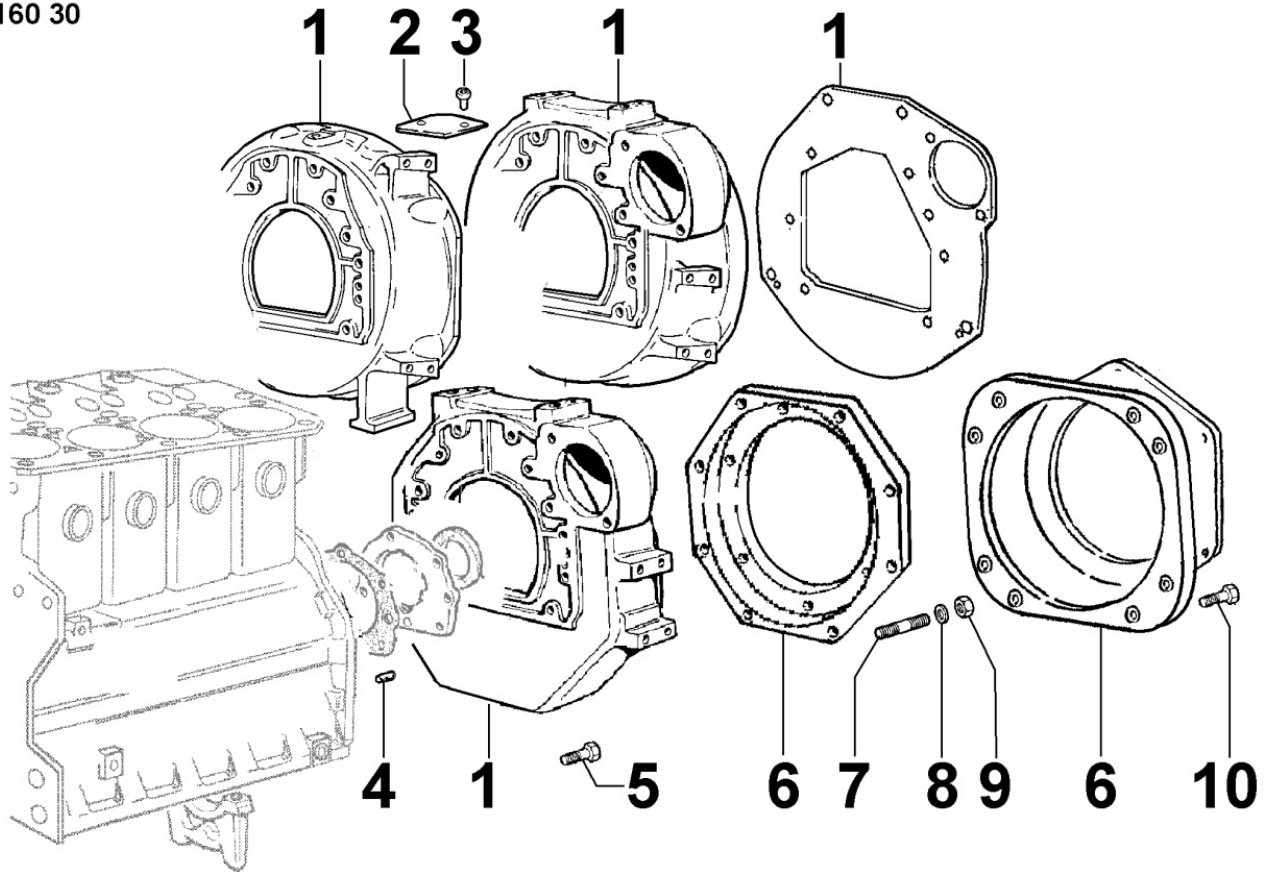
8 145 30



Pos	Kit	Included In	Code	Description	Qty	Old Code	Tech. Info
1			ED0026600080-S	COVER	1		
4			ED0012000910-S	O-RING	1		
6			ED0097300100-S	SCREW	4		

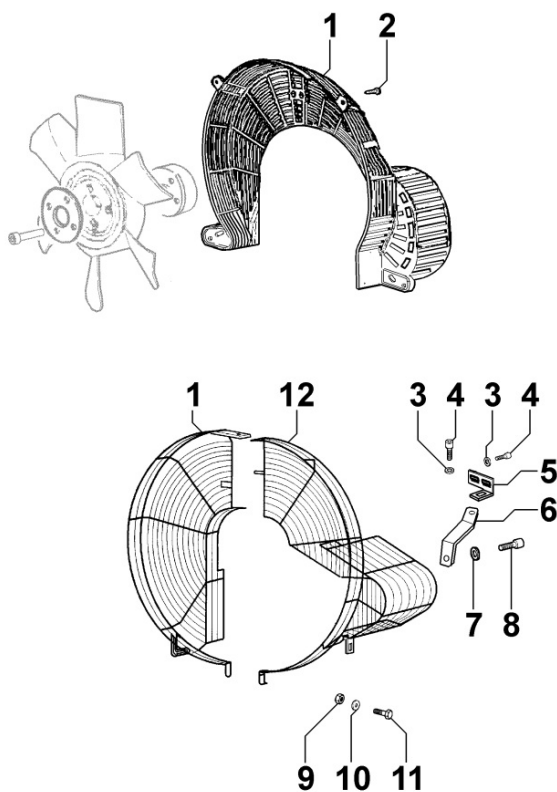
8160300100 - ENGINE FLANGE / BACKPLATE

8 160 30

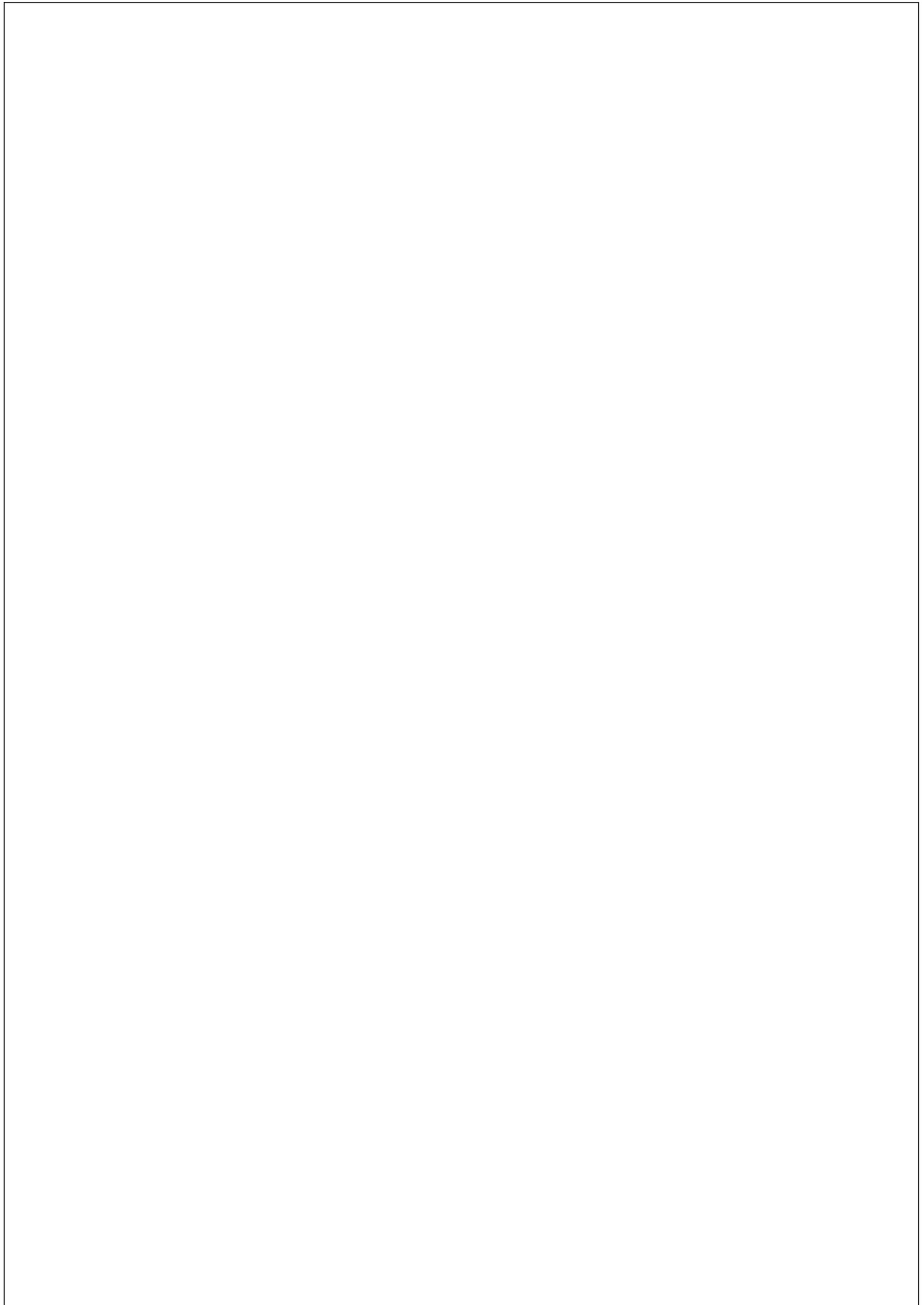


Pos	Kit	Included In	Code	Description	Qty	Old Code	Tech. Info
1			ED0020323490-S	FLYWHEEL HOUSING	1		
4			ED0084001080-S	PIN	2		
5			ED0017800310-S	SCREW	12		

8172300080 - FAN GUARD



Pos	Kit	Included In	Code	Description	Qty	Old Code	Tech. Info
1			ED0069275610-S	GUARD	1		
2			ED0098202230-S	SCREW	4		



KOHLER[®]
ENGINES