

---

# ED459564

---

## Spare Parts Catalogue

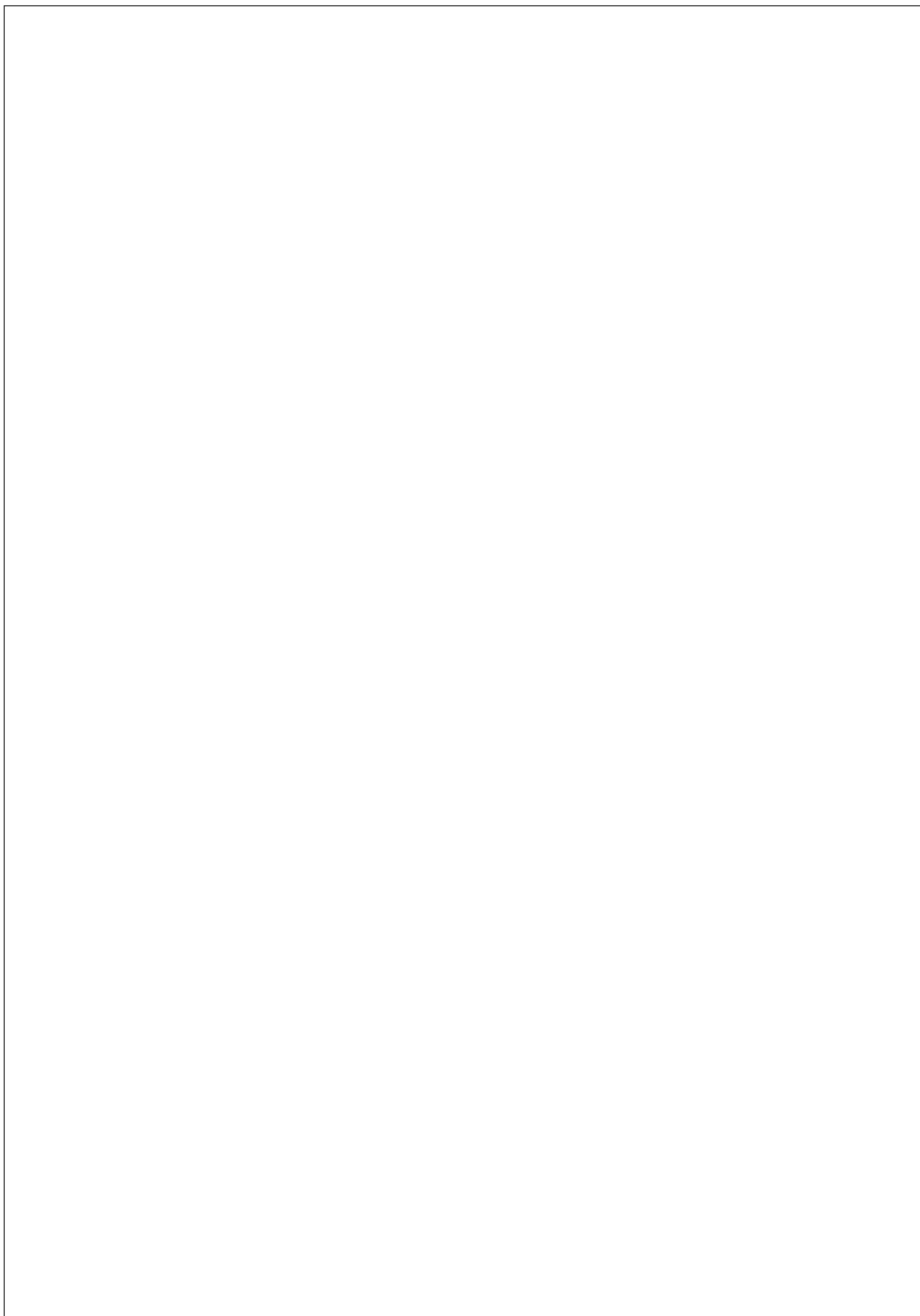
---



# 9 LD 561-2 CRISTANINI

**Update Date 17/07/2018**

Print Date 18/07/2018



## Tavola ricambi

Index	Description
8010090010	CRANKSHAFT
8011090010	PISTON / CONNECTING ROD
8012090060	FLYWHEEL
8020090060	CRANKCASE
8021090070	CYLINDER HEAD
8022090020	HEAD COVER
8023090010	FLYWHEEL SIDE SUPPORT
8024090010	TIMING GEAR SIDE SUPPORT
8025090060	ENGINE MOUNTS
8026090010	CRANKSHAFT CENTRAL SUPPORT
8027090050	TIMING SYSTEM COVER
8030090030	INJECTION SYSTEM
8035090010	CAMSHAFT
8036090040	ROCKER ARMS / VALVES
8038090010	TIMING SYSTEM
8040090010	OIL PUMP
8041090010	OIL PAN
8042090080	OIL FILTER
8043090090	OIL DIPSTICK
8044090010	OIL PRESSURE VALVE
8045090060	BREATHER SYSTEM
8050090080	SPEED GOVERNOR
8051090610	CONTROLS
8061090110	FUEL FILTER
8062090010	FUEL FEED PUMP
8064090190	FUEL LINES
8070090010	AIR SHROUD
8071090010	COOLING FAN
8072090060	COOLING PLATES
8080090050	AIR INLET MANIFOLD / AIR FILTER
8081090110	AIR FILTER
8085090030	EXHAUST GAS MANIFOLD
8086090110	EXHAUST MUFFLER
8087090140	EXHAUST GAS ACCESSORIES
8100090060	VOLTAGE ALTERNATOR
8101090010	STARTING MOTOR



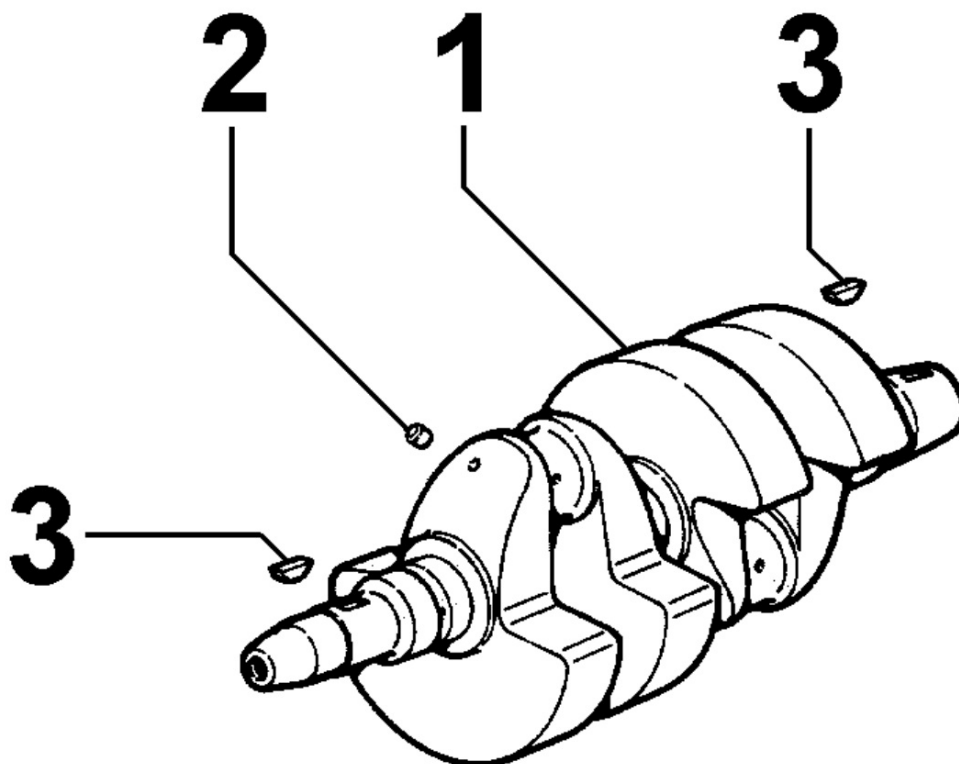
---

**Tavola ricambi**

Index	Description
8102090030	OIL PRESSURE SWITCH
8103090210	CONTROL PANEL / ENGINE WIRES
8105090040	FUSES / ELECTRICAL ACCESSORIES
8106090010	GLOW PLUGS / CONTROL UNIT
8162090030	1st PTO ACCESSORIES
8172090040	FAN GUARD
8179090010	HEAD COVER

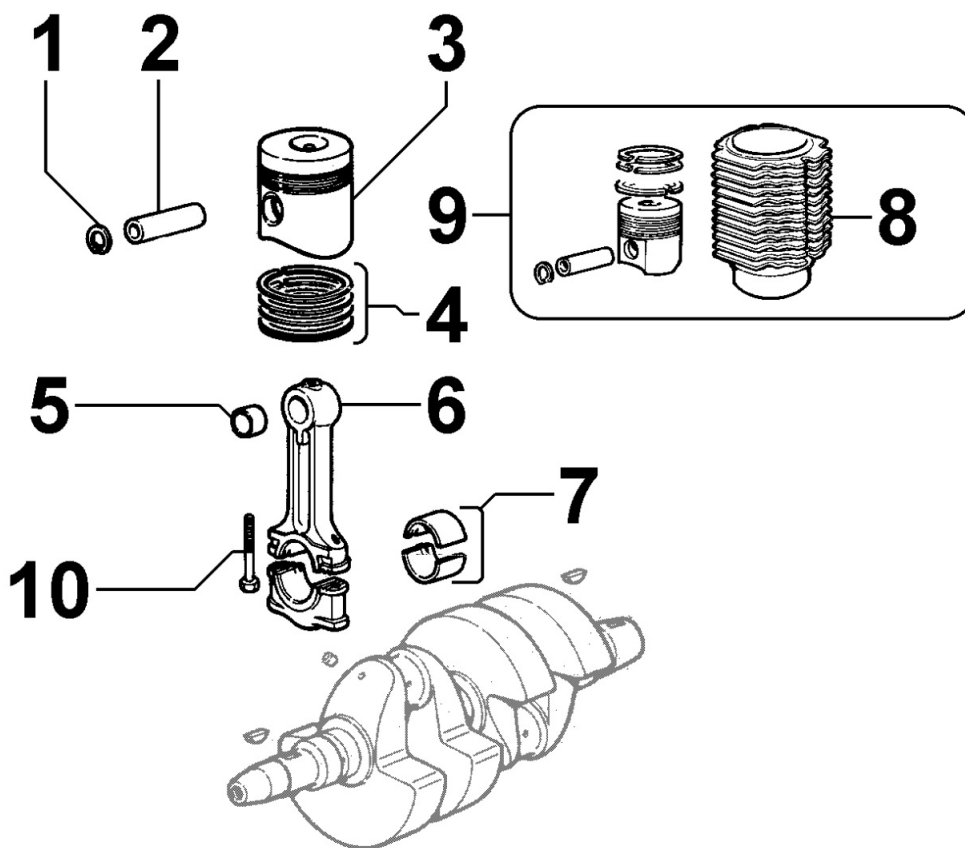
---

**8010090010 - CRANKSHAFT**



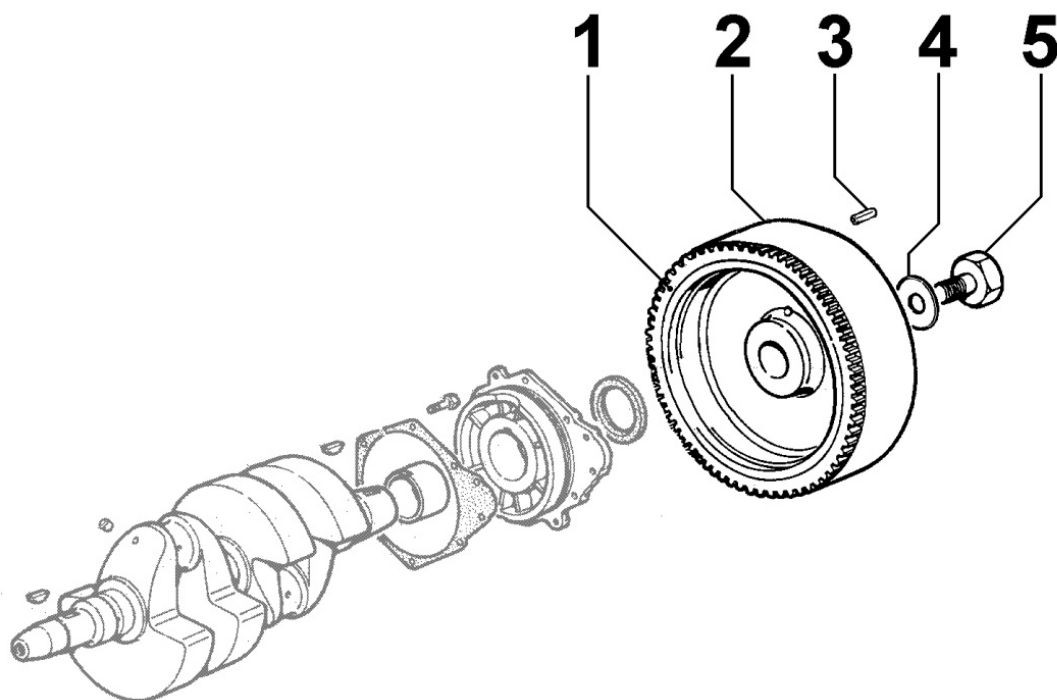
Pos	Kit	Included In	Code	Description	Qty	Old Code	Tech. Info
1	(A)		ED0010507850-S	CRANKSHAFT	1		⚠
2			ED0090801330-S	PLUG AVSEAL D8 02961-00810	4		⚠
3		(A)	ED0022800560-S	KEY	2		

8011090010 - PISTON / CONNECTING ROD



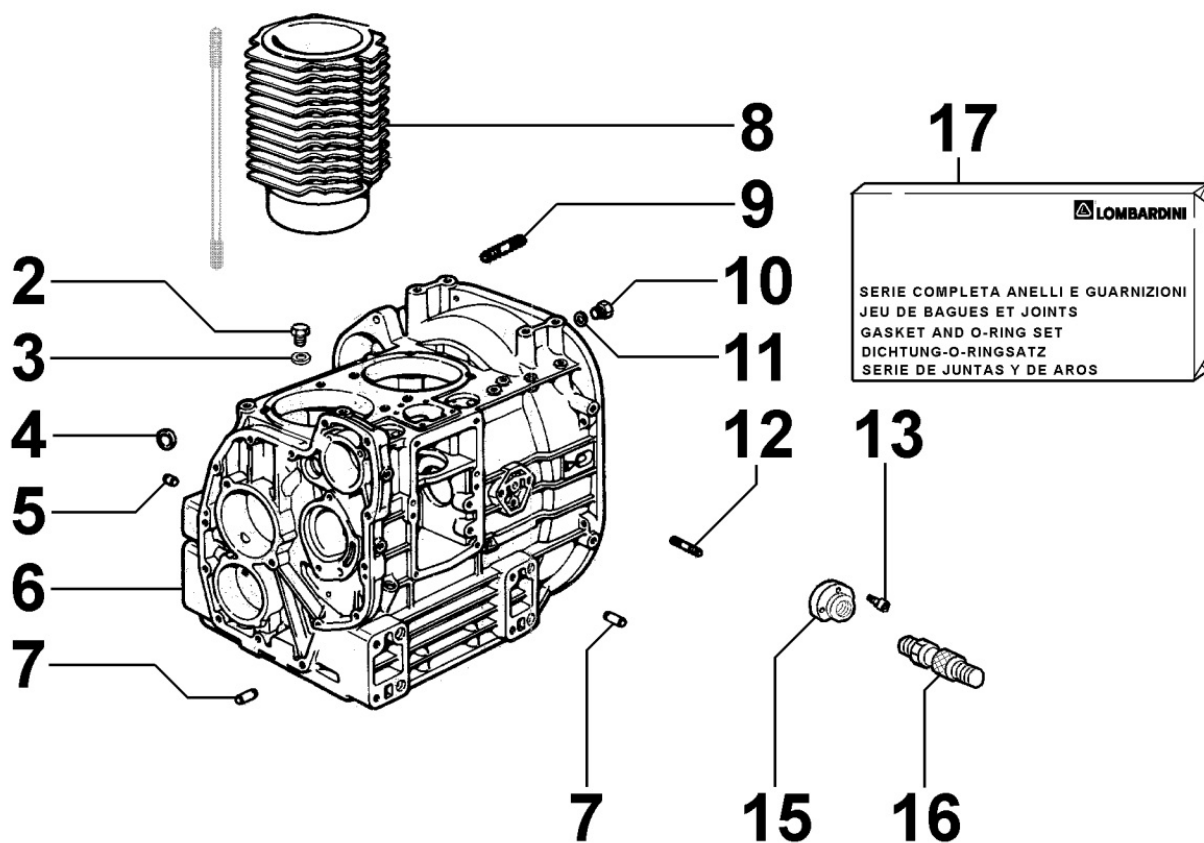
Pos	Kit	Included In	Code	Description	Qty	Old Code	Tech. Info
1		(B)	ED0012400220-S	SNAP RING	4		
2		(B)	ED0084800290-S	PISTON PIN	2		
3	(B)	(D)	ED0065001100-S	PISTON +0.5	2		
3	(B)	(D)	ED0065001090-S	PISTON STD.	2		
3	(B)	(D)	ED0065001110-S	PISTON +1	2		
4		(B)	ED0082112080-S	RINGS +1	2		
4		(B)	ED0082112060-S	RINGS STAND.	2		
4		(B)	ED0082112070-S	RINGS +0.5	2		
5		(A)	ED0016300140-S	S.ENDBRNG	1		
6	(A)		ED0015261110-S	CONNECTING ROD	2		
7			ED0016400590-S	BEARING STD	2		
7			ED0016400610-S	BEAR.-0.50 =<>	2		
7			ED0016400600-S	BEAR.-0.25	2		
8		(D)		802009...0			
9	(D)		ED0048980870-S	PISTON/CYLINDER ASSY 9LD561 t.n.	2	ED0048980440-S	
10		(A)	ED0017701090-S	BOLT	4		

8012090060 - FLYWHEEL



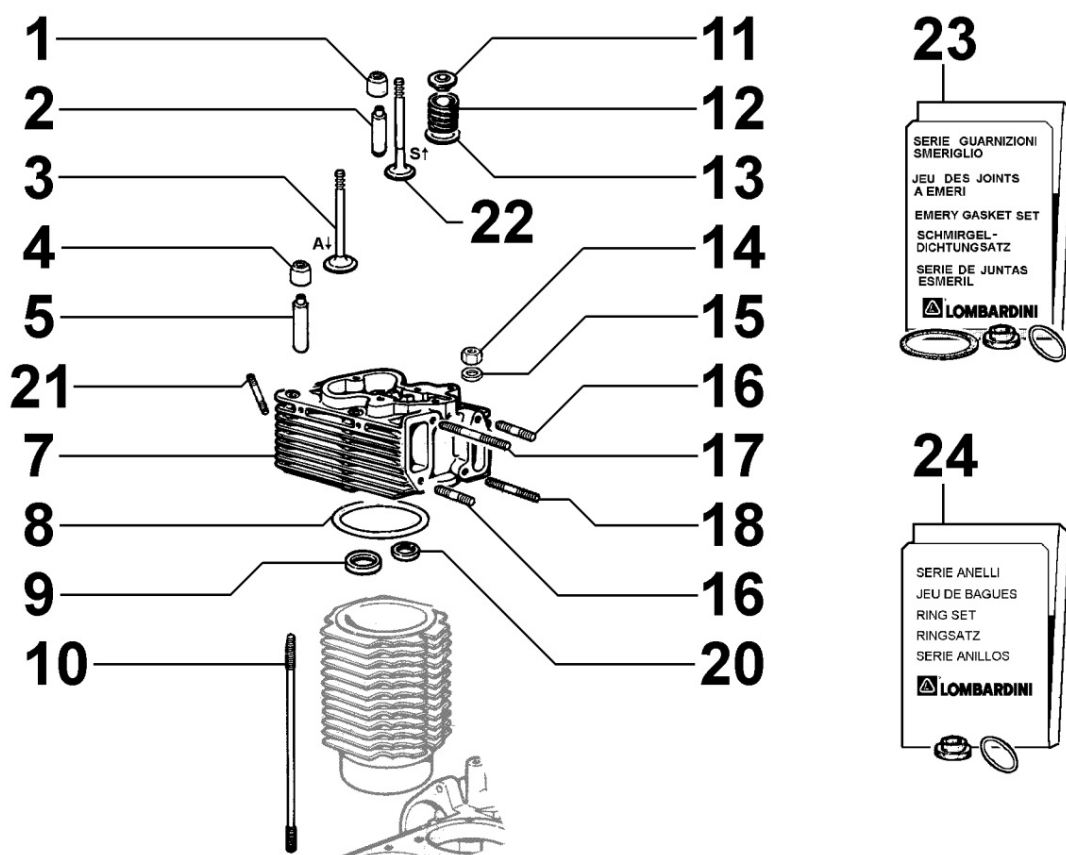
Pos	Kit	Included In	Code	Description	Qty	Old Code	Tech. Info
1		(A)	ED0028160250-S	RING GEAR	1		
2	(A)		ED0098850720-S	FLYWHEEL	1		
4			ED0051110050-S	RET.PLATE	1		
5			ED0018610450-S	BOLT	1		

8020090060 - CRANKCASE





Pos	Kit	Included In	Code	Description	Qty	Old Code	Tech. Info
4		(A) (B) (C)	ED0090800830-S	CAP	1		
6	(B)		KDISC.		1	ED0015107120-S	
7		(A)	ED0084600550-S	PIN	4		
8			ED0023805700-S	CYLINDER	2		
9		(A)	810109...0		1		
10		(A) (B)	ED0089650340-S	PLUG	2		
11		(A) (B)	ED0046700580-S	COPPER WASHER 8,2X12X1,5	2		
12		(A) (B) (C)	ED0067800080-S	STUD M8X20	2		
17			ED0082050980-S	GASK.+O.R.SET	1		

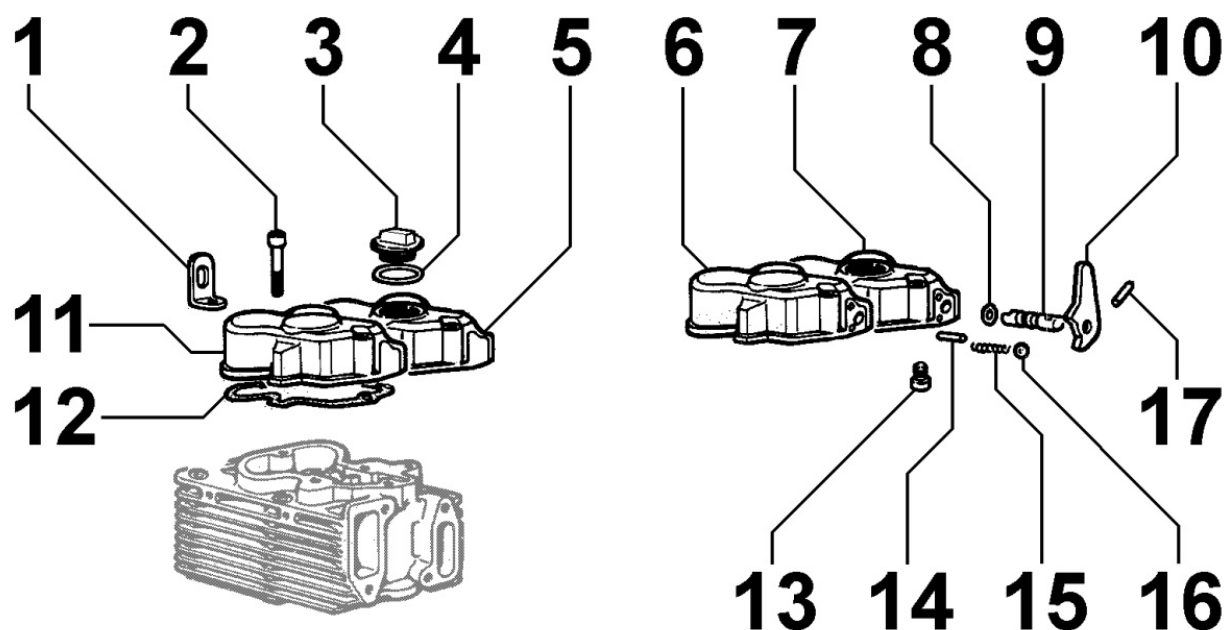
8021090070 - CYLINDER HEAD



Pos	Kit	Included In	Code	Description	Qty	Old Code	Tech. Info
1		(A)	ED0012133380-S	SEAL RING	2		⚠
2		(A)	ED0048452480-S	GUIDE	2		⚠
3		(A)	ED0096521530-S	INTAKE VALVE	2		⚠
5		(A)	ED0048452470-S	GUIDE	2		⚠
7	A		ED0092012820-S	COMPLETE CYLINDER HEAD TG"S" INJECTOR	2	ED0092008440-S	
8			KDISC.		2	ED0047305680-S	
8			ED0047305670-S	GASKET	2		
8			KDISC.		2	ED0047305600-S	
8			ED0047305660-S	HEAD GASKET 0.80	2		
8			KDISC.		2	ED0047305640-S	
8			ED0047305650-S	GASKET	2		
8			KDISC.		2	ED0047305630-S	
8			ED0047305620-S	GASKET	2		
8			KDISC.		2	ED0047305610-S	
8			ED0047305590-S	GASKET 0.45	2		
8			KDISC.		2	ED0047305700-S	
8			KDISC.		2	ED0047305690-S	
9		(A)	ED0080002120-S	VALVE SEAT	2		⚠
10			ED0068501030-S	STUD	8		
11		(A)	ED0064101120-S	CAP	4	ED0080570180-S	⚠
12		(A)	ED0057551730-S	SPRING	2		⚠
13		(A)	ED0034300670-S	DISK	2		
14			ED0032401240-S	HEX.NUT	8		
15			ED0076251250-S	WASHER	8		
16		(A)		808009...0	2		

Pos	Kit	Included In	Code	Description	Qty	Old Code	Tech. Info
16		(A)		808009...0	2		
17		(A)		808009...0	1		
18		(A)		808009...0	1		
20		(A)	ED0080002130-S	VALVE SEAT	2		
21		(A)		803009...0	2		
22		(A)	ED0096851460-S	EXH.VALVE	2		
23			ED0081850210-S	SET	1		
24			ED0081500150-S	O RING SET	1		

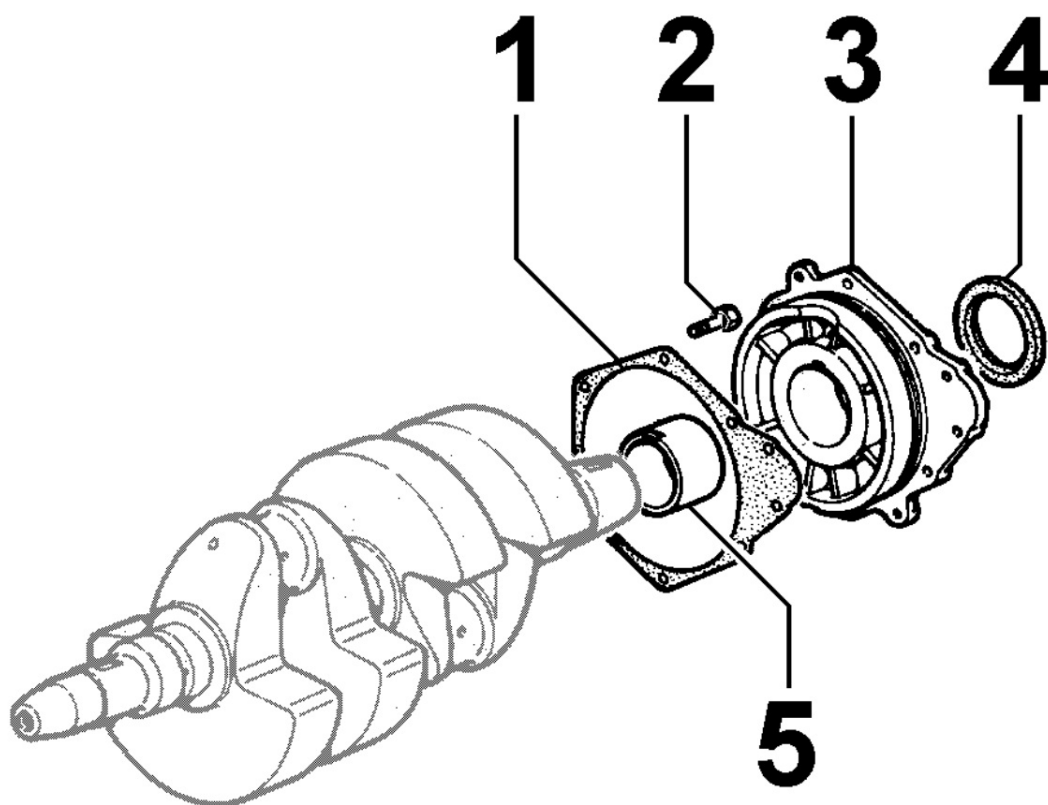
8022090020 - HEAD COVER



Pos	Kit	Included In	Code	Description	Qty	Old Code	Tech. Info
1			ED0085060030-S	LIFTING HOOK	2		
2			ED0097320750-S	SCREW	4		
3			ED0090320790-S	FILLERPL.	1		⚠
4			ED0012000150-S	O RING	1		
5			ED0021253380-S	COVER	1		⚠
11			ED0021253390-S	COVER	1		⚠
12			ED0044000610-S	GASKET	2		

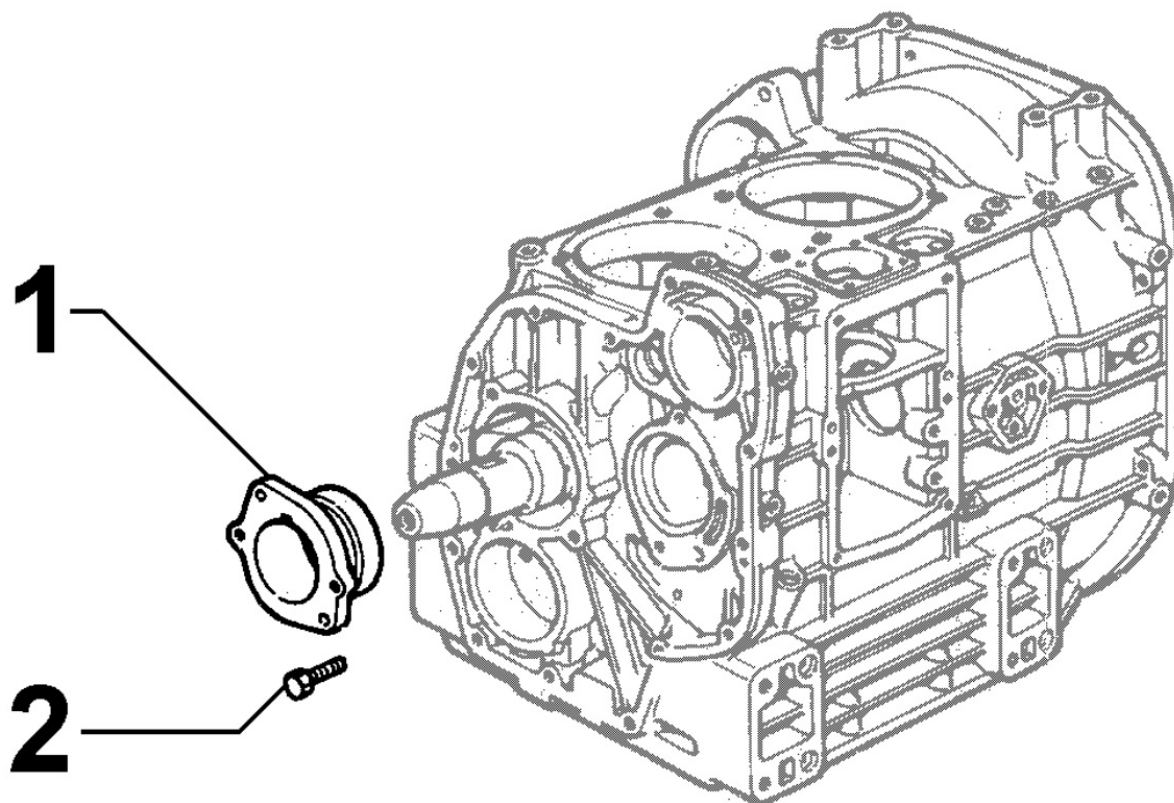


8023090010 - FLYWHEEL SIDE SUPPORT



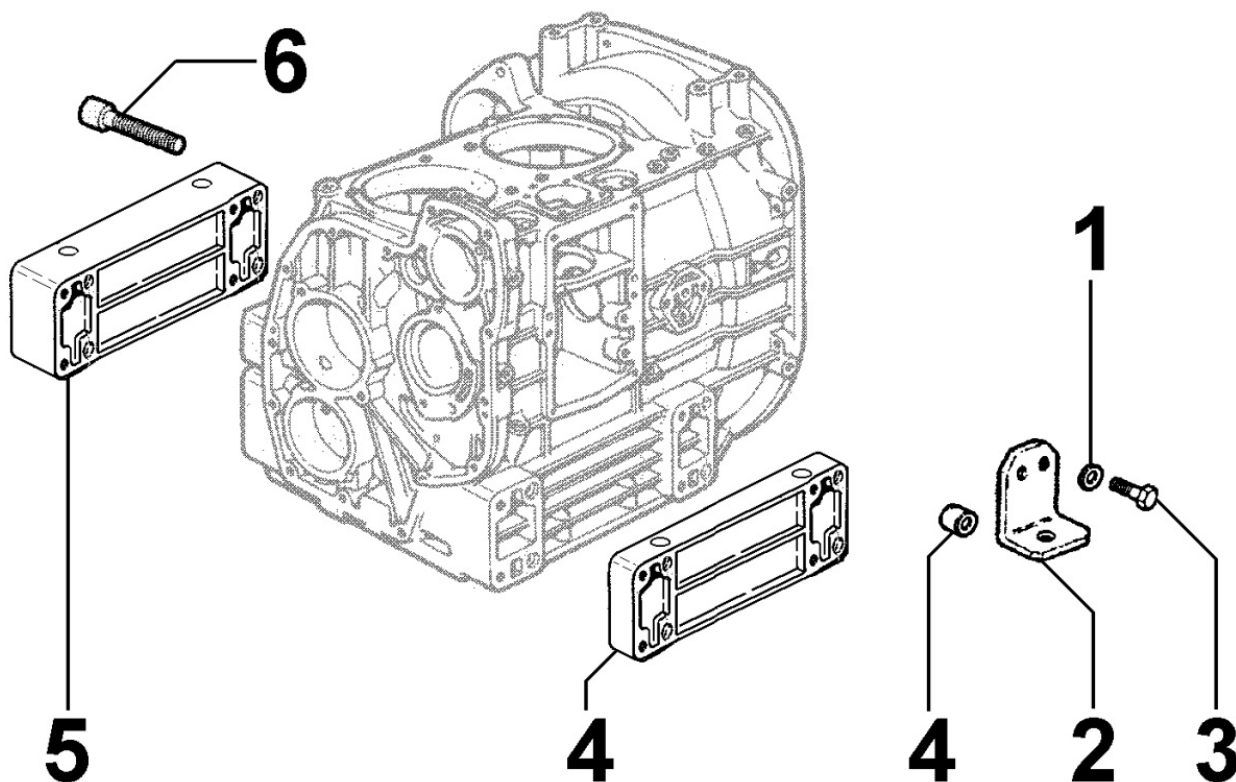
Pos	Kit	Included In	Code	Description	Qty	Old Code	Tech. Info
1			ED0047010490-S	GASKET	1		
1			ED0047011100-S	GASKET	1	ED0047010400-S	
2			ED0017701500-S	BOLT	8		
3	A		ED0086753230-S	COMPLETE CRANKSHAFT SUPPORT GR.9	1	ED0086752900-S	
4		(A)	ED0012135510-S	SEAL RING. 50X70X10	1		
4		(A)	ED0012135510-S	SEAL RING. 50X70X10	1	ED0012133180-S	
5			ED0016111620-S	BEAR.-0.50	1		▲
5			ED0016111610-S	BEAR.-0.25	1		▲
5		(A)	ED0016111600-S	BEAR.STAND.	1		▲

## 8024090010 - TIMING GEAR SIDE SUPPORT



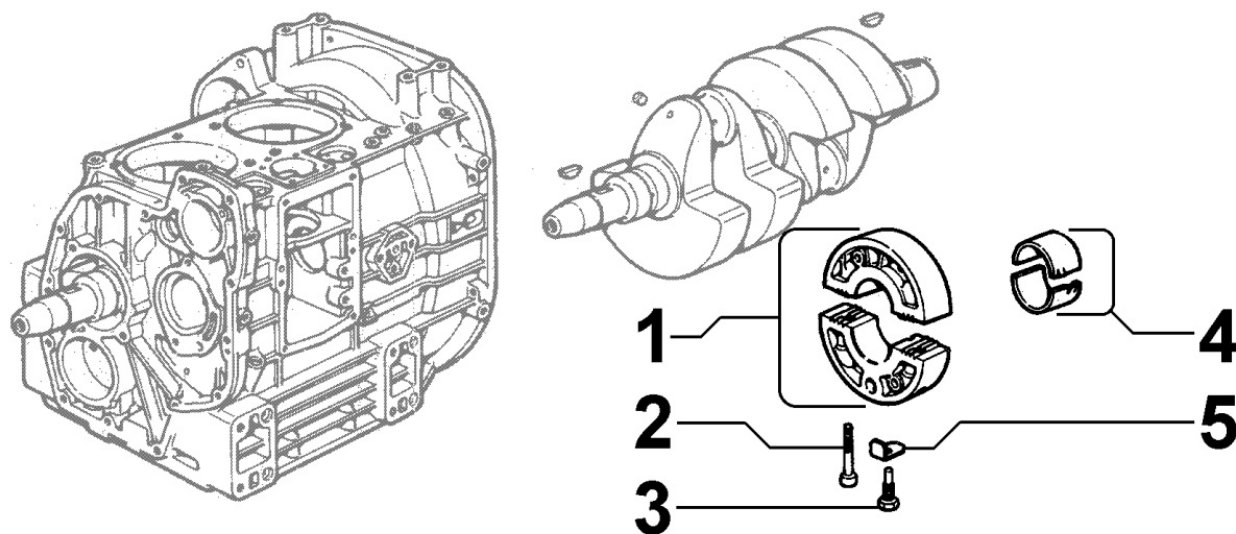
Pos	Kit	Included In	Code	Description	Qty	Old Code	Tech. Info
1			ED0086753260-S	CRANKSHAFT SUPPORT -0,5 GR.9	1	ED0086752680-S	
1			ED0086753240-S	CRANKSHAFT SUPPORT GR.9	1	ED0086752660-S	
1			ED0086752670-S	SUPPORT-0.25	1		
2			ED0017701560-S	BOLT	2		

**8025090060 - ENGINE MOUNTS**



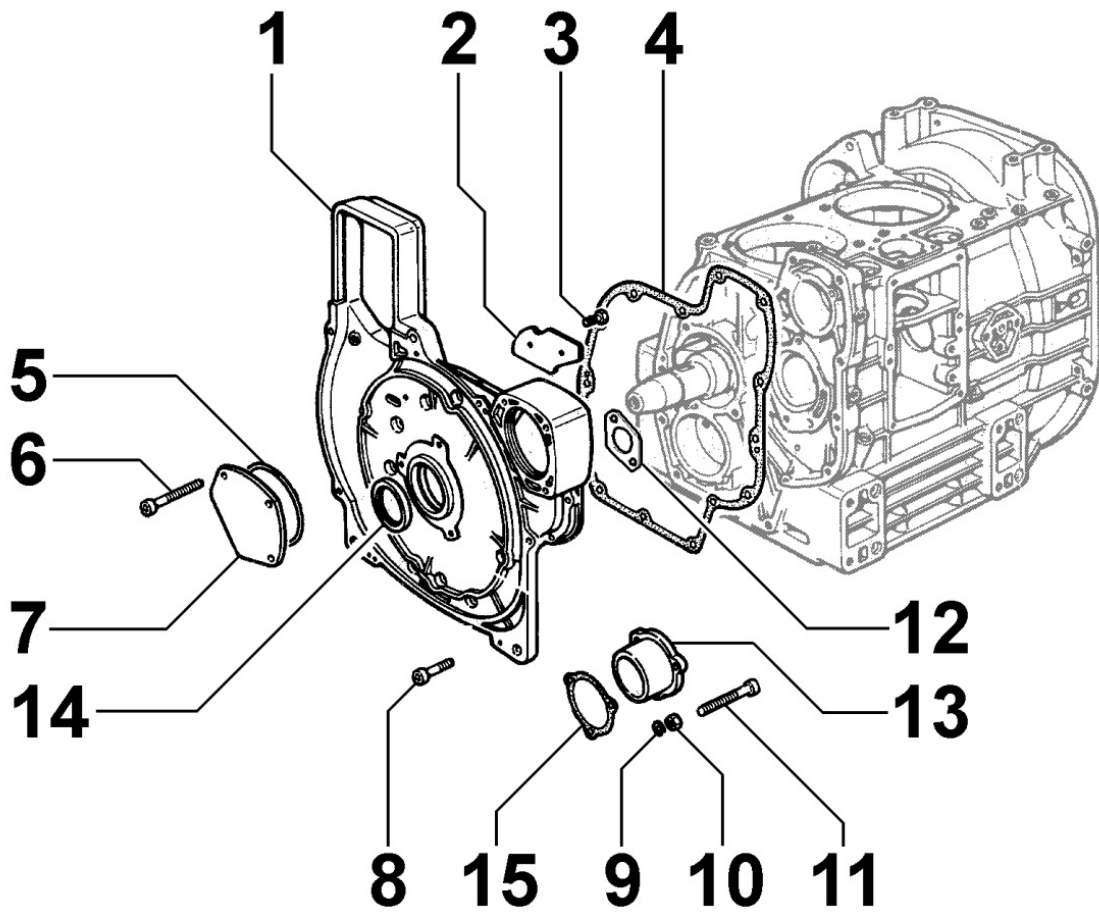
Pos	Kit	Included In	Code	Description	Qty	Old Code	Tech. Info
1			ED0075650110-S	LOCK WASHER M10	16		
2			ED0064290330-S	ENGINE MOUNT	4		
3			ED0017800060-S	VITE TE.10X30-5739-8G+ZN.B	14		

**8026090010 - CRANKSHAFT CENTRAL SUPPORT**



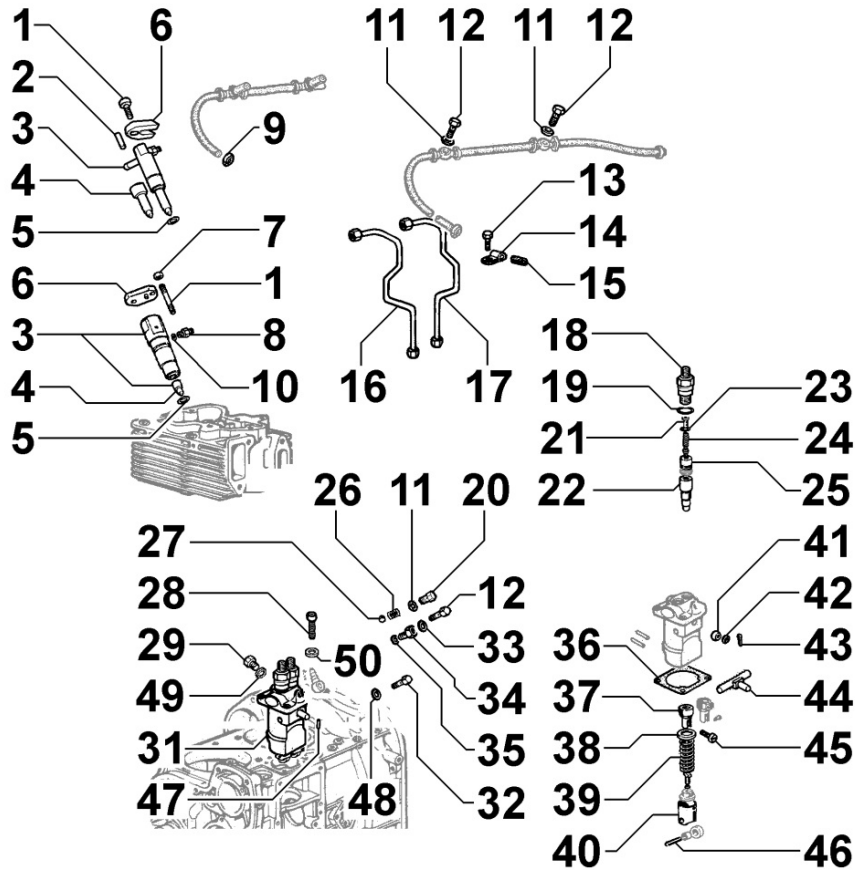
Pos	Kit	Included In	Code	Description	Qty	Old Code	Tech. Info
1	(A)		ED0086760570-S	SUPPORT	1		
2		(A)	ED0097300340-S	CAP SCREW 8x55 uni.5931	2		
3			ED0018621440-S	BOLT	1		
4			ED0016100990-S	BEAR.-0.50	1		
4			ED0016100820-S	BEAR.STAND.	1		
4			ED0016100980-S	BEAR.-0.25	1		
5			ED0051110690-S	RETAINER	1		

8027090050 - TIMING SYSTEM COVER



Pos	Kit	Included In	Code	Description	Qty	Old Code	Tech. Info
1	A		ED0089004630-S	SUPPORT	1		
2		(A)	ED0051681030-S	RETAINER	1		
3		(A)	ED0017600010-S	HEX BOLT M6X10L 8.8	2		
4			ED0047010390-S	GASKET	1		
6			ED0097300350-S	SOC HEAD SCREW M8X65-5931.8G+ZN.B	3		
8			ED0097320630-S	SOC HEAD CAP SCR M8X35L 8.8	11		
9			ED0076250100-S	WASHER D.8X15X1,5	6		
10			ED0032400180-S	HEX NUT M8 1.25P STEEL 8	3		
11			ED0097300320-S	SOC HEAD CAP SCR M8X45L 8.8	3		
12			ED0047755250-S	GASKET	1		
13			ED0027510960-S	COVER	1		
14		(A)	ED0012135520-S	SEAL RING. 42X58X10	1		
14		(A) (B)	ED0012135520-S	SEAL RING. 42X58X10	1	ED0012133210-S	

8030090030 - INJECTION SYSTEM

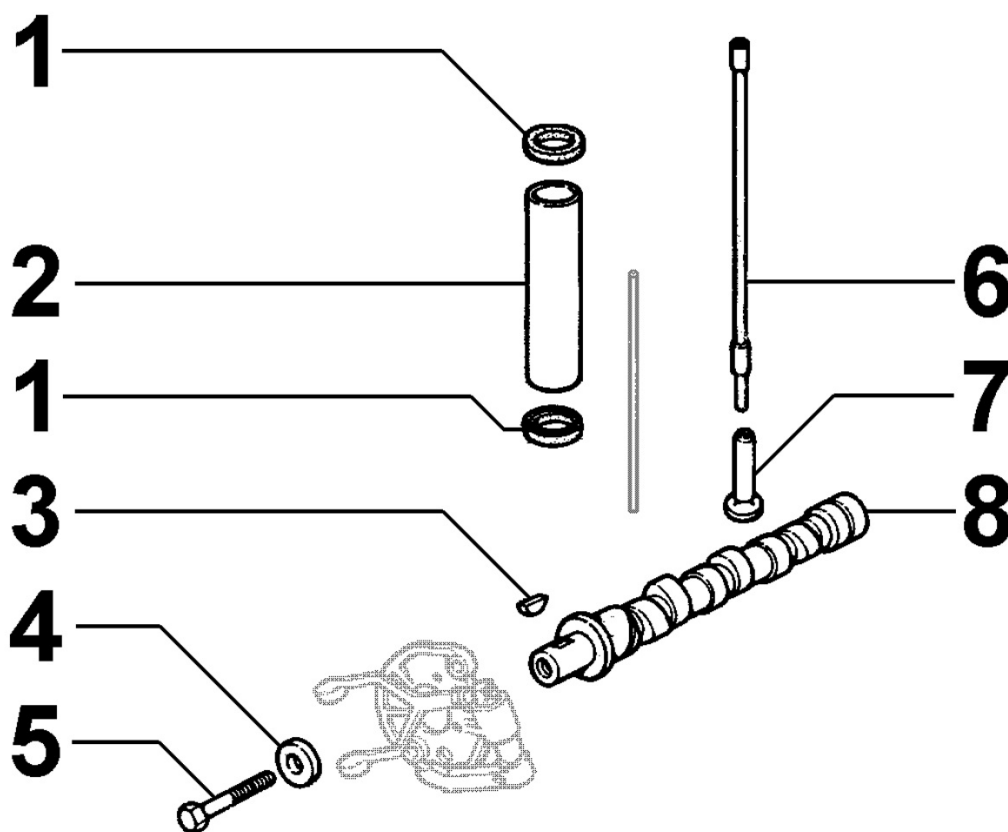


Pos	Kit	Included In	Code	Description	Qty	Old Code	Tech. Info
1			ED0067600450-S	STUD	4		
3	(B)		ED0066150180-S	NOZZLEHL.	2		⚠
4		(B)	ED0065312650-S	NOZZLE	1		⚠
5			ED0046700050-S	GASKET	2		
5			ED0046700060-S	GASKET	2		
6			ED0037900740-S	FLANGE	2		
7			ED0032030500-S	SELF LOCKING NUT M6 X 1	4		
8		(B)	ED0073010060-S	UNION	1		
10			KDISC.		1	ED0046500370-S	
10		(B)		POS. 3			
11			ED0046700580-S	COPPER WASHER 8,2X12X1,5	4		
12			ED0019010290-S	UNION BOLT	2		
13			ED0097301150-S	SCREW SHCS M5X14 5931 8.8	2		
14			ED0036172550-S	CLAMP	2	ED0036160180-S	
15			ED0054000460-S	SLEEVE FOR CLAMP	2		
16			ED0093760570-S	PIPE	1		⚠
17			ED0093760560-S	FUEL TUBE	1		⚠
18		(A)	ED0072650080-S	UNION	2		
19		(A)	ED0012000310-S	O RING	2		
21		(A)	ED0074700030-S	FILLER	2		
22		(A)	ED0065780130-S	INJ.PLUNGER	2		
23		(A)	KDISC.		2	ED0083350290-S	
24		(A)	ED0057550340-S	SPRING	2		
25		(A)	ED0096720120-S	DELI.VALVE	2		
26			ED0028000030-S	COTTER PIN	1		
28			ED0017701560-S	BOLT	3		



Pos	Kit	Included In	Code	Description	Qty	Old Code	Tech. Info
28			ED0017701560-S	BOLT	3		
29		(A)	ED0090800350-S	CAP	1		
31	(A)		ED0065900340-S	INJ.PUMP	1		
32			ED0019010330-S	Banjo bolt M 6X 1	1		
33			ED0046700620-S	COPPER WASHER D10/6.2 1.5 THK	2		
34		(A)	ED0019010310-S	UNION BOLT	1		
36			ED0045800680-S	GASKET	2		
36			ED0045800090-S	GASKET	1		
36			ED0045800020-S	GASKET	3		
36			ED0045801930-S	GASKET	2		
37		(A)	ED0048500090-S	GUIDE	2		
38		(A)	ED0079800200-S	CUP	2		
39		(A)	ED0056250020-S	SPRING	2		
40		(A)	ED0072150170-S	TAPPET	1		
41			ED0015800230-S	BUSHING	1		
42			ED00771R0010-S	PLAIN WASHERS 5,3X10X1	1		
44			KDISC.		1	ED0014150060-S	
44		(A)		POS. 31			
45		(A)	KDISC.		2	ED0062300690-S	
46			KDISC.		2	ED0062300680-S	
46		(A)		POS. 31			
47			ED0084000480-S	PARAL.PIN	1		
49			ED0046700600-S	COPPER WASHER	2		

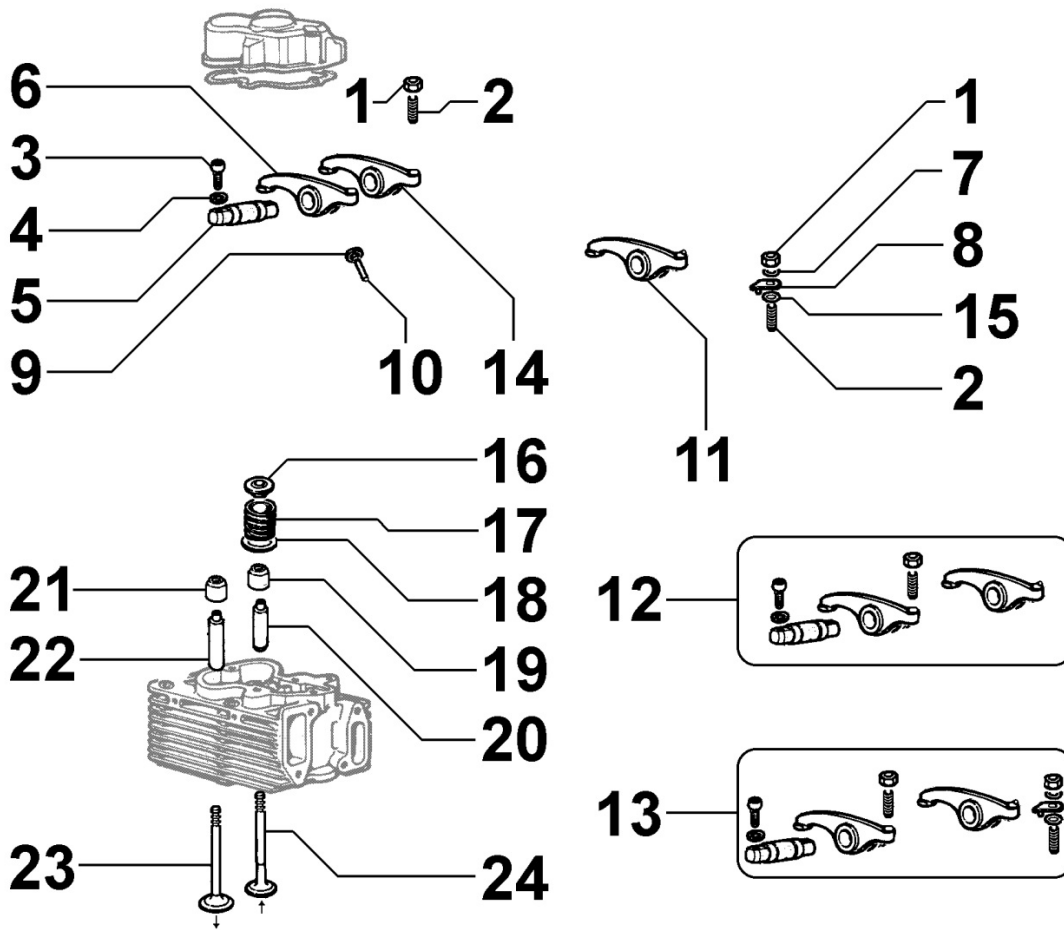
**8035090010 - CAMSHAFT**



Pos	Kit	Included In	Code	Description	Qty	Old Code	Tech. Info
1			ED0047400240-S	GASKET	4		
2			ED0095200450-S	PROT.TUBE	2		
3			ED0022800470-S	KEY	1		
4			ED0076260380-S	WASHER	1		
5			ED0017800590-S	BOLT	1		
6			ED0014102050-S	PUSHROD COMPLETE	4	ED0014100420-S	
7			ED0072150430-S	TAPPET	4		
8			ED0010110850-S	CAMSHAFT	1		

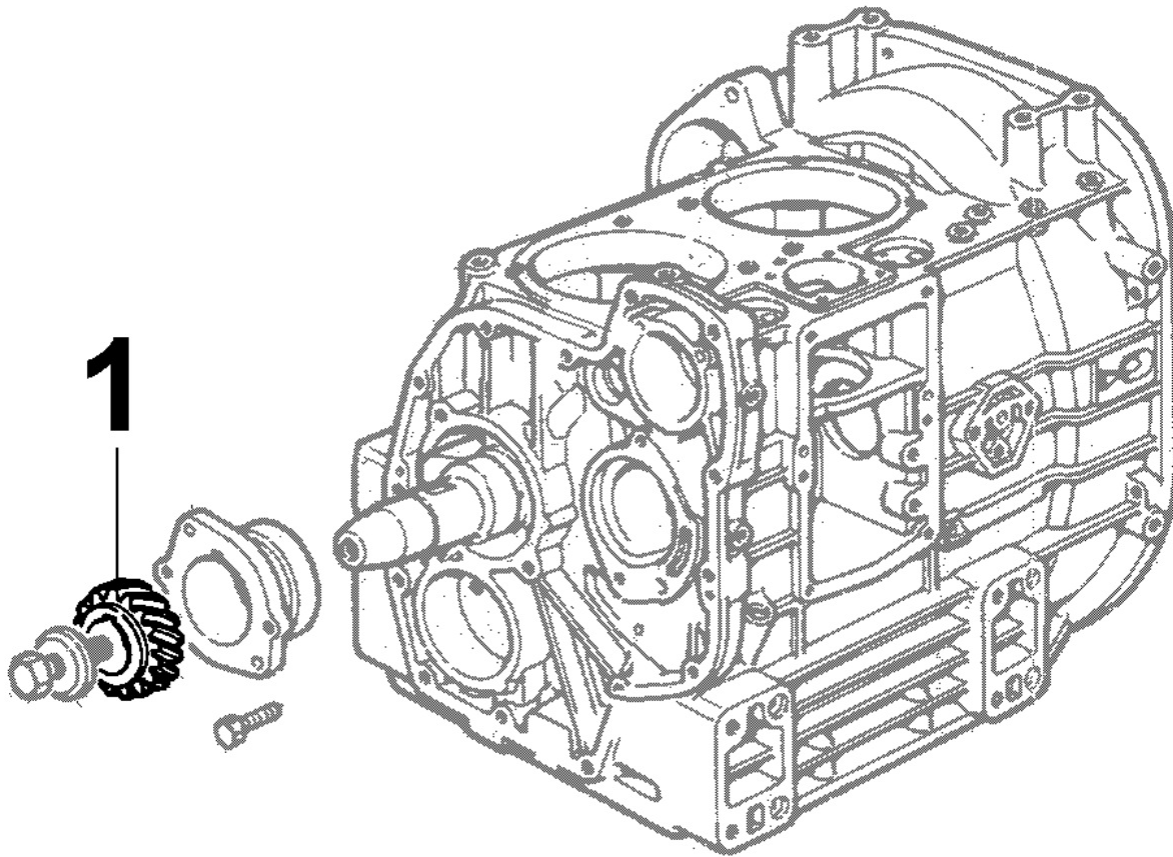


8036090040 - ROCKER ARMS / VALVES



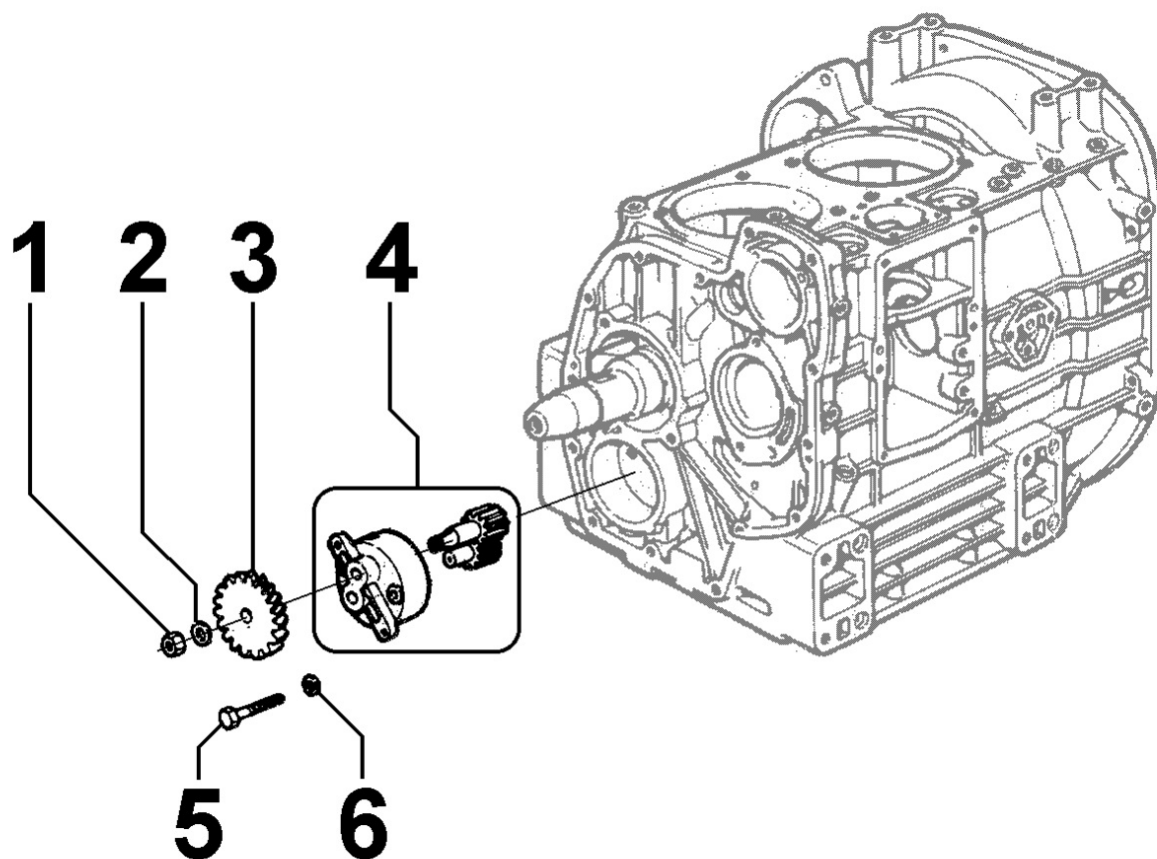
Pos	Kit	Included In	Code	Description	Qty	Old Code	Tech. Info
1		(A) (B) (D) (E)	ED0032400100-S	HEX.NUT	1		
2		(A) (B) (D) (E)	ED0098500020-S	ADJ.SCREW	1		
3		(D) (E)	ED0097301000-S	SCREW SHCS M8X25-5931 8.8	4		
4		(D) (E)	ED0075650070-S	SPRING WASHER D14.2/8.2	4		
5		(D) (E)	ED0060450400-S	R.ARMSHAFT	2		
6	(B)	(D) (E)	ED0015412320-S	BILANC./ROCKERARM N	2		
9		(D) (E)	ED0013500110-S	RING	2		
10		(D) (E)	ED0094550530-S	TUBE	2		
12	(D)		ED0043300360-S	R.A.ASS.Y	2		
14	(A)	(D)	ED0015412310-S	BILANC./ROCKERARM N	2		

8038090010 - TIMING SYSTEM



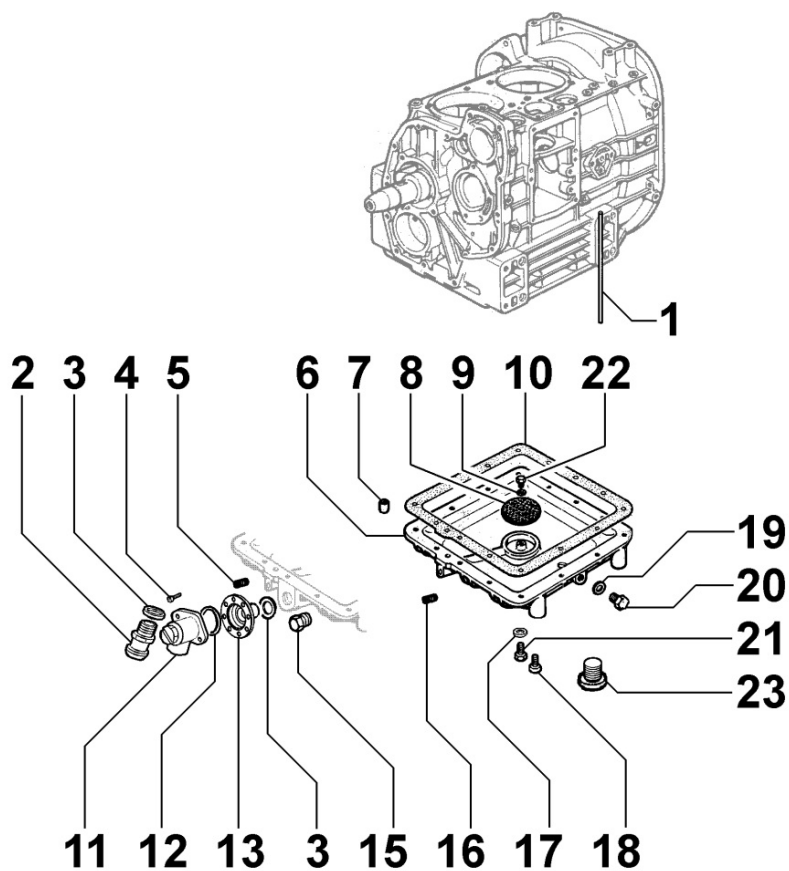
Pos	Kit	Included In	Code	Description	Qty	Old Code	Tech. Info
1			ED0049360420-S	GEAR	1		

8040090010 - OIL PUMP



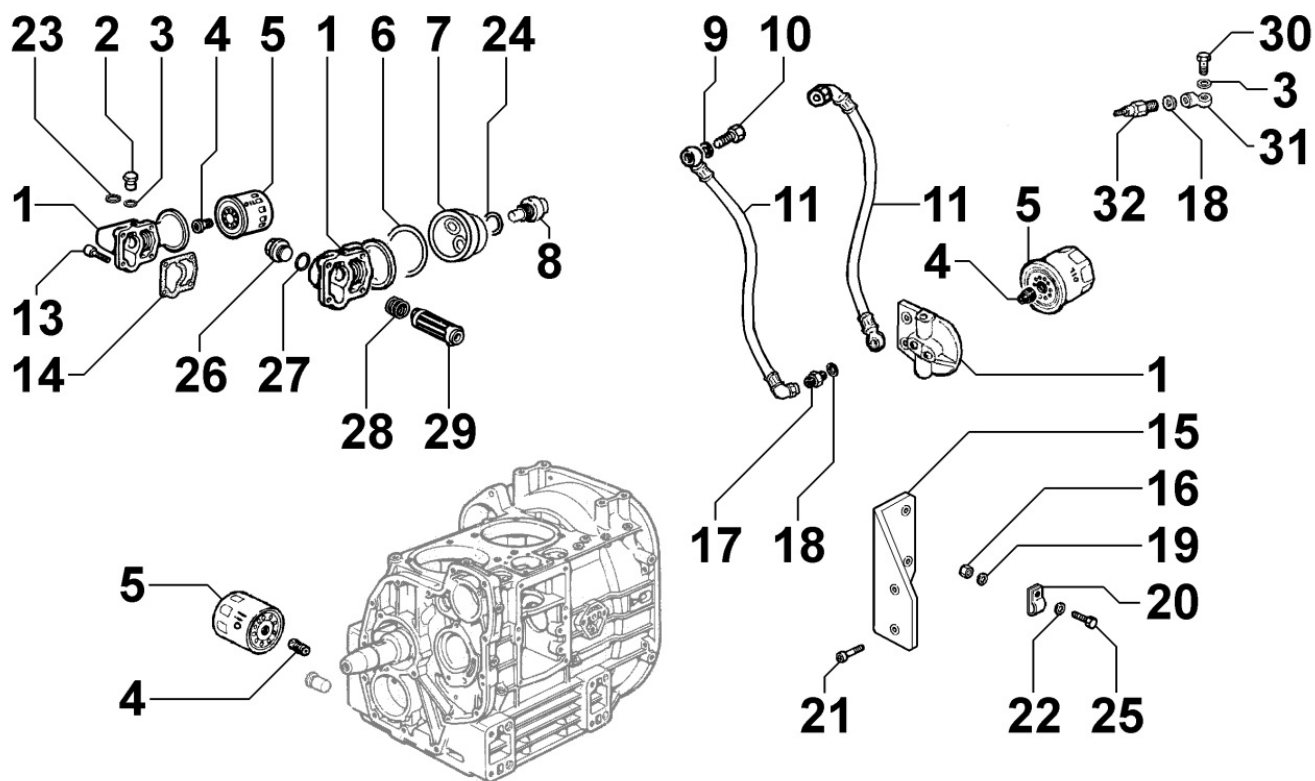
Pos	Kit	Included In	Code	Description	Qty	Old Code	Tech. Info
1			ED0032400360-S	HEX.NUT	1		
2			ED0075650110-S	LOCK WASHER M10	1		
3			ED0049360090-S	GEAR	1		
4			ED0066050370-S	OIL PUMP	1		
5			ED0017700090-S	BOLT	2		
6			ED0075650070-S	SPRING WASHER D14.2/8.2	2		

8041090010 - OIL PAN



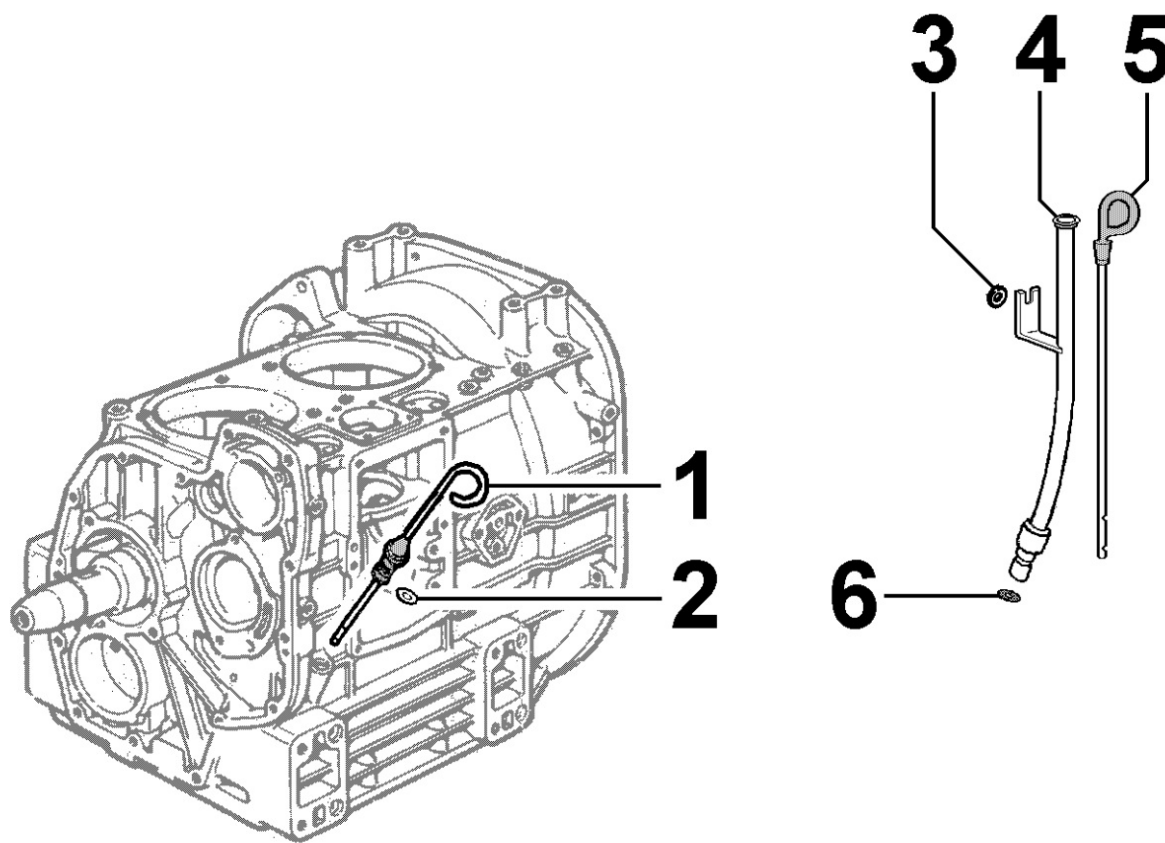
Pos	Kit	Included In	Code	Description	Qty	Old Code	Tech. Info
1			ED0094551310-S	TUBE	2		
5		(A)	ED0090801820-S	PLUG AVSEAL D10 02961-01012	1		
6	(A)		ED0066456400-S	OIL PAN	1		
7			ED0084300650-S	TAPER PIN	1		
8		(A)	ED0050900100-S	HOLED METAL SHEET	1		
9		(A)	ED0075650040-S	SPRING WASHER D11.1/6.1 1.3 TH	1		
10			ED0046011770-S	GASKET	1		
18			ED0017701550-S	BOLT	14		
19		(A)	ED0046700160-S	GASKET	1		
20		(A)	ED0089650050-S	CAP	1		
22		(A)	ED0097610430-S	SELF-THREADING SCREW TE M6X10	1		

8042090080 - OIL FILTER



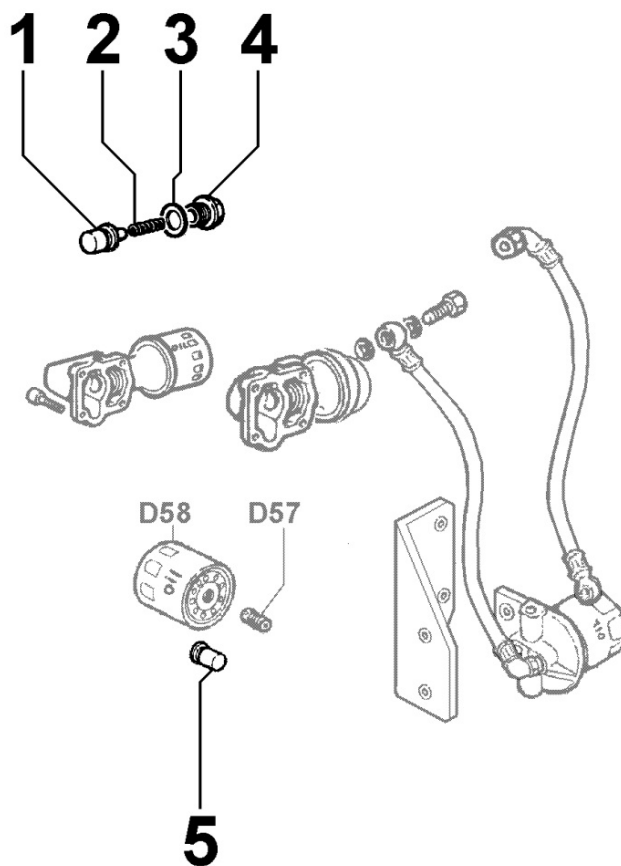
Pos	Kit	Included In	Code	Description	Qty	Old Code	Tech. Info
1			ED0026050190-S	COP.FILTRO/FIL.COVER S C	1		
2			ED0089650340-S	PLUG	1		
3			ED0046700580-S	COPPER WASHER 8,2X12X1,5	2		
13			ED0097300120-S	SOC HEAD CAP SCR M6X20L STEEL	4		
14			KDISC.		1	ED0045011110-S	
26			ED0090600080-S	CAP	1		
27			ED0012000160-S	OR-137 SILICON RUBBER	1		
28			ED0057250320-S	SPRING	1		
29			ED0021750440-S	OIL FILTER CARTRIDGE	1		

8043090090 - OIL DIPSTICK



Pos	Kit	Included In	Code	Description	Qty	Old Code	Tech. Info
2		(A)	ED0012003280-S	O RING	3		
3			ED0076250120-S	PLAIN WASHERS 8,4X17X1,6	2		
4			ED0093300330-S	TUBE =<>	1		
5	(A)		ED0014000940-S	DIPSTICK	1		
6			ED0012000010-S	ANEL. OR 108-GOM. NITRIL D2000	1		

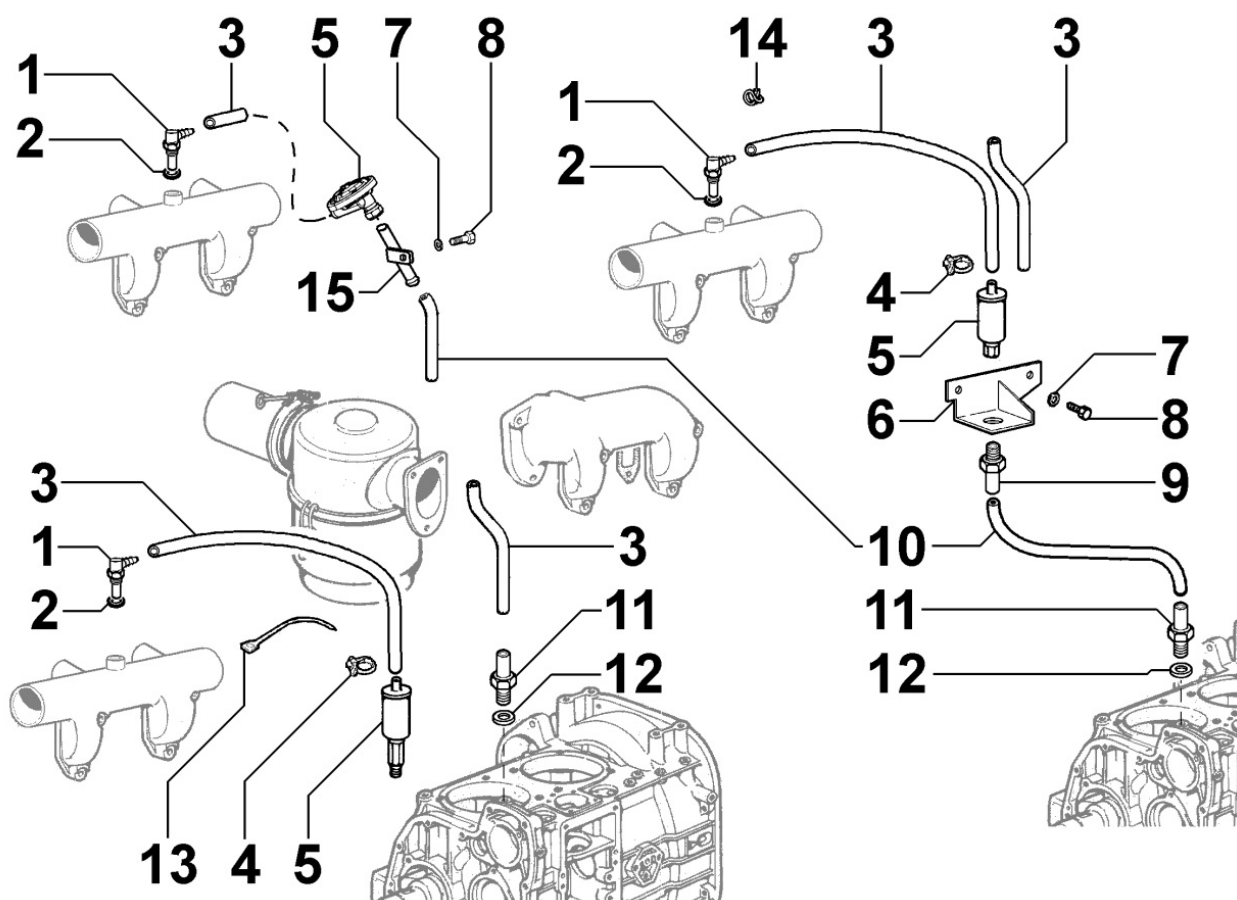
8044090010 - OIL PRESSURE VALVE



Pos	Kit	Included In	Code	Description	Qty	Old Code	Tech. Info
1			ED0096800130-S	REL.VALVE	1		
2			ED0057550490-S	SPRING	1		
3			ED0046700880-S	CUPPER WASHER 18X24X1	1		
4			ED0090700120-S	CAP	1		



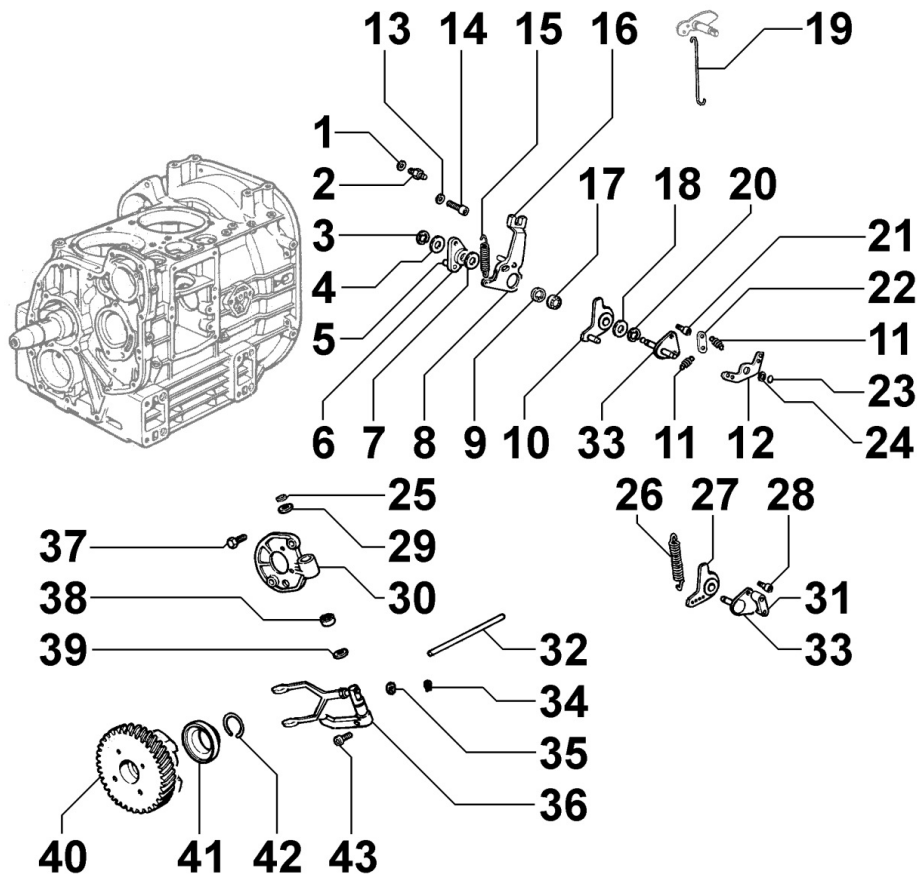
8045090060 - BREATHER SYSTEM




Pos	Kit	Included In	Code	Description	Qty	Old Code	Tech. Info
3			ED0094000580-S	SUCTION LINE	1		⚠
9			ED0073011430-S	RACCORDO/UNION N	1		⚠
12			ED0046700140-S	GASKET	1		



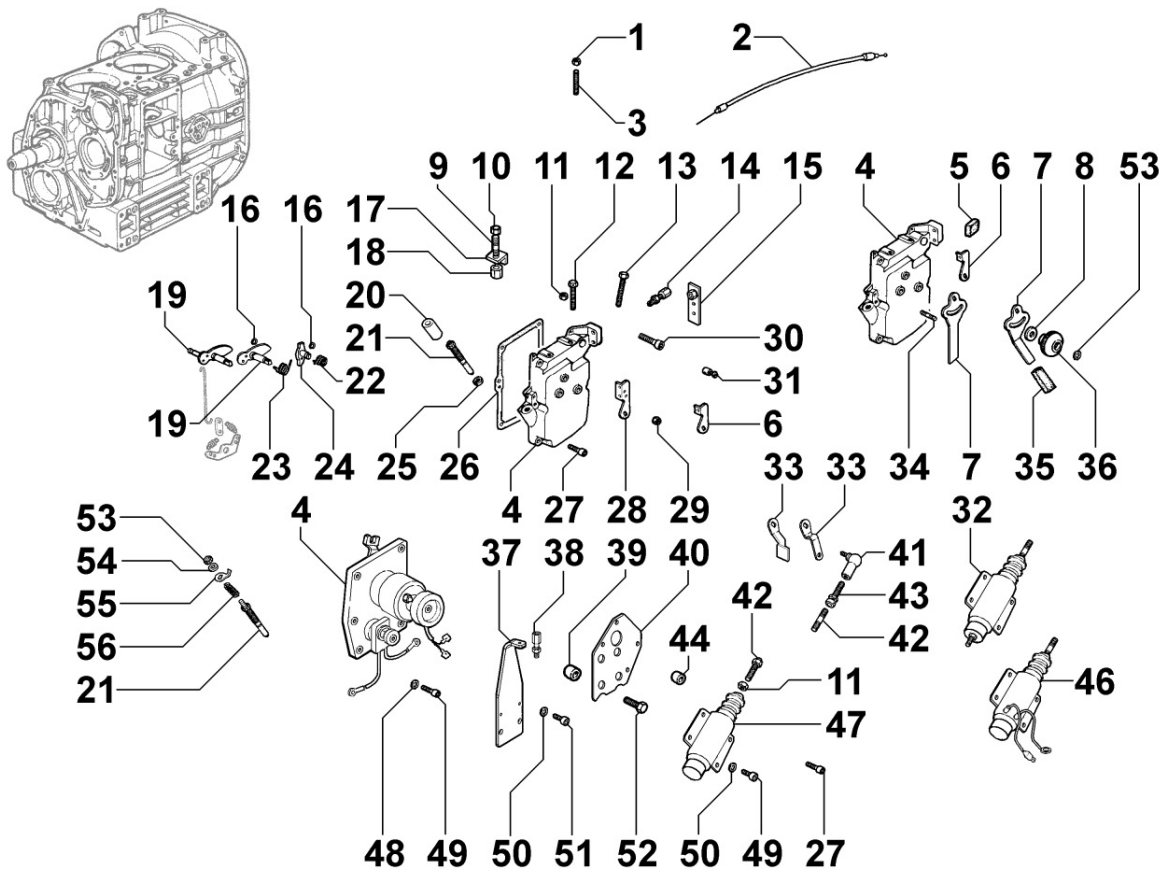
**8050090080 - SPEED GOVERNOR**



Pos	Kit	Included In	Code	Description	Qty	Old Code	Tech. Info
1			ED0075550040-S	*BEL WASHER D11/6.4 0.5 TH	1		
2			ED0060400150-S	STUD	1		
3		(A)	ED0011650100-S	CIRCLIP D.4 DIN.6799 UN	2		
4		(A)	ED0076251060-S	WASHER	4		
5		(A)	ED0061403700-S	PERNO/PIN N A	1		
6		(A)	ED0052005870-S	LEVA/LEVER	1		
9		(A)	ED0012410090-S	SNAP RING	4		
10		(A)	ED0052005850-S	LEVA/LEVER	1		▲
11		(A)	ED0056552420-S	SPRING	2		▲
12		(A)	ED0015411060-S	ROCKER ARM	1		▲
13		(A)	ED0076250120-S	PLAIN WASHERS 8,4X17X1,6	1		
14		(A)	ED0097320740-S	SOC HEAD SCR M8X20L UNI5931 ST	1		
15			ED0055500260-S	SPRING	1		▲
16	(A)		ED0052009090-S	LEVER ASS.Y	0		▲
16		(A)	ED0052007600-S	LEVA/LEVER	1		
17		(A)	ED0030000040-S	B.BEARING	3		
18		(A)	ED0035272460-S	DISTANZIALE/SPACER N A 10	1		
19			ED0092451350-S	TIE ROD	1		▲
21		(A)	ED0097300240-S	SOC HEAD CAP SCR M8X16L 1.25P	2		
22		(A)	ED0063702810-S	PLATE	1		
23		(A)	ED0011650050-S	ANELLO BENZ./CIRCLIP E A 10	1		
24		(A)	ED0076250100-S	WASHER D.8X15X1,5	1		
25		(B)	ED0012400050-S	ANEL. SEEGER D.12 EST. D2003	1		
27		(A)		POS. 16	1		
30			ED0087850530-S	SUPPORTO LEVA	1		

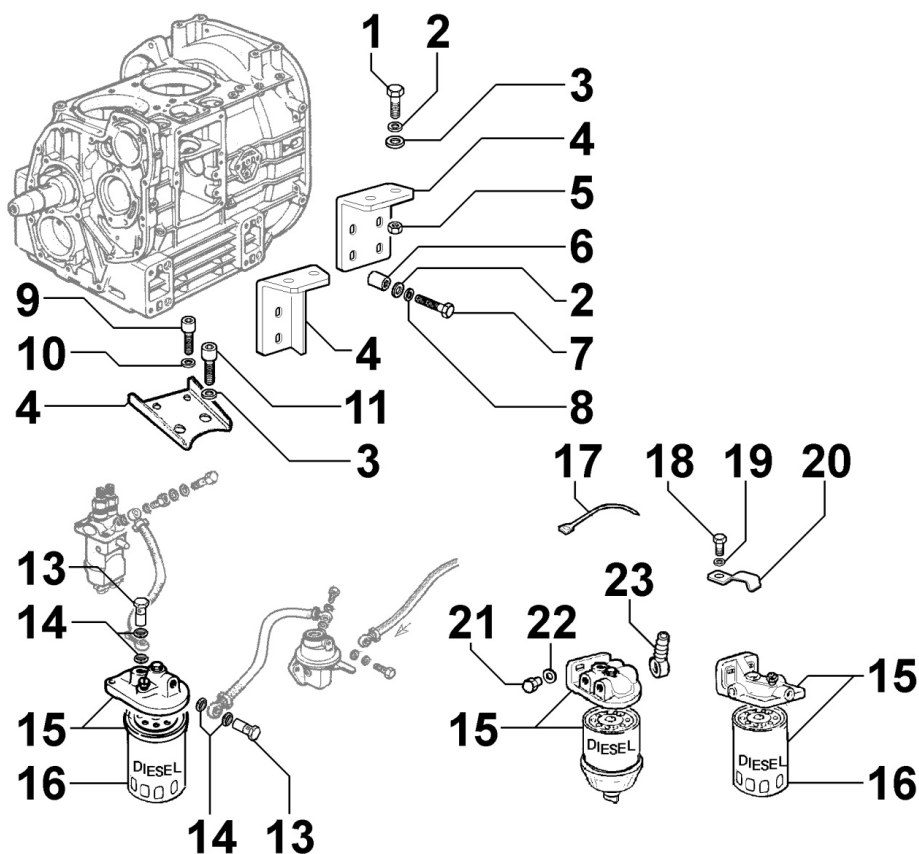
Pos	Kit	Included In	Code	Description	Qty	Old Code	Tech. Info
32			ED0060800220-S	GOVERNOR PUSH ROD	1		
33		(A)	ED0087851030-S	ACTUATING ARM	1		
34		(B)	ED0012400770-S	SNAP RING	1		
36	(B)		ED0048820460-S	FORK.AS.	0		
37			ED0017701500-S	BOLT	2		
38		(B)	ED0015850250-S	NDL.BEAR.	2		
39		(B)	ED0076260400-S	WASHER	2		
40	(D)		ED0073623960-S	SPEED GOVERNOR	1		
41		(D)	KDISC.		1	ED0020861400-S	
42		(D)	ED0011600220-S	STOPRING	1		
43		(B)	ED0097301070-S	VITE TCEI 6X14-5931-8G+ZN.B	1		

8051090610 - CONTROLS



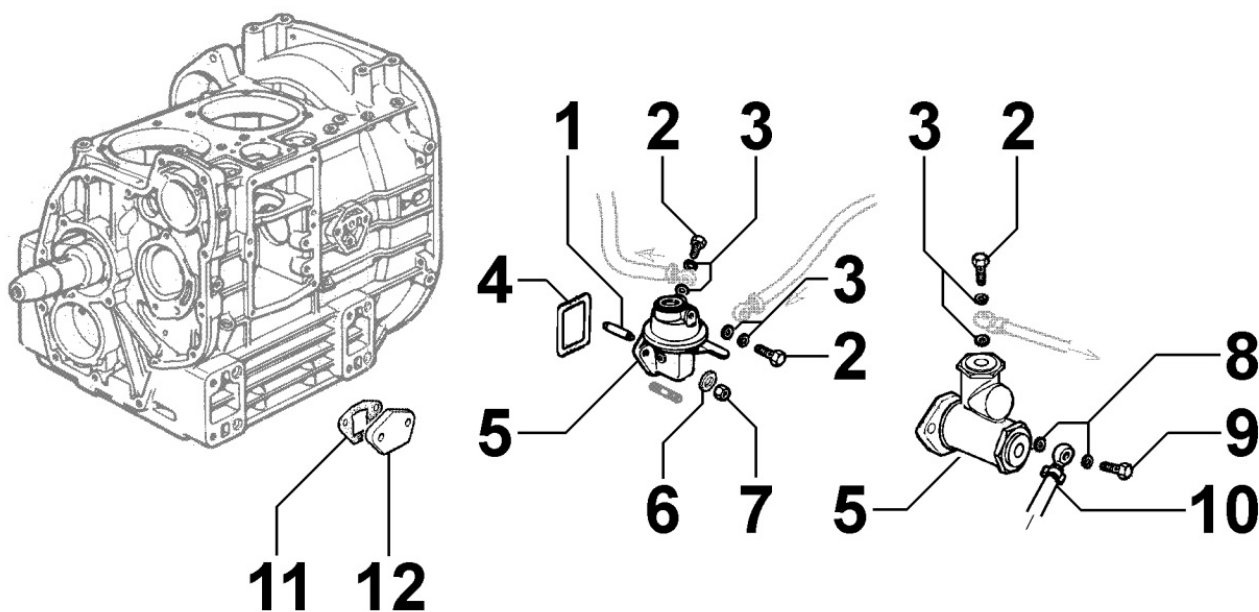
Pos	Kit	Included In	Code	Description	Qty	Old Code	Tech. Info
4	(B)		KDISC.		1	ED0025161090-S	
4		(B)	ED0026902770-S	COPERCHIO/COVER D A	1		
5		(B)		POS. 4	1		
6		(B)	ED0052001080-S	LEVER	2		
9			ED0067800890-S	STUD	1		
10			ED0032030990-S	NUT	1		
11		(B) (D)	ED0032400080-S	NUT M6-Cl.8 type 1-ISO	2		
12		(B)	ED0017600270-S	HEX BOLT M6X40L STEEL 8.	2		
14			ED0091801920-S	END	2		
16		(B)	ED0012000340-S	O-RING 2025 6.07 x 1.78"	2		
17			ED0051680520-S	RETAINER	1		
18			ED0032401310-S	NUT	1		
19		(B)	ED0052005830-S	LEVER	1		
21			ED0023810150-S	PLUNGER	1		
23		(B)	ED0056800770-S	SPRING	2		
24		(B)	ED0052001540-S	LEVER	1		
25		(A)	ED0032400580-S	HEX.NUT	1		
26			ED0047755260-S	GASKET	1		
27			ED0097320780-S	SOC HEAD CAP SCR M6X25 8.8	5		
29		(B)	ED0032401640-S	NUT	2		
30			ED0097300180-S	HSHC SCREW ISO 4762 M6X45	1		
31			ED0058301190-S	CONNECTOR 'FV C10	2		


8061090110 - FUEL FILTER



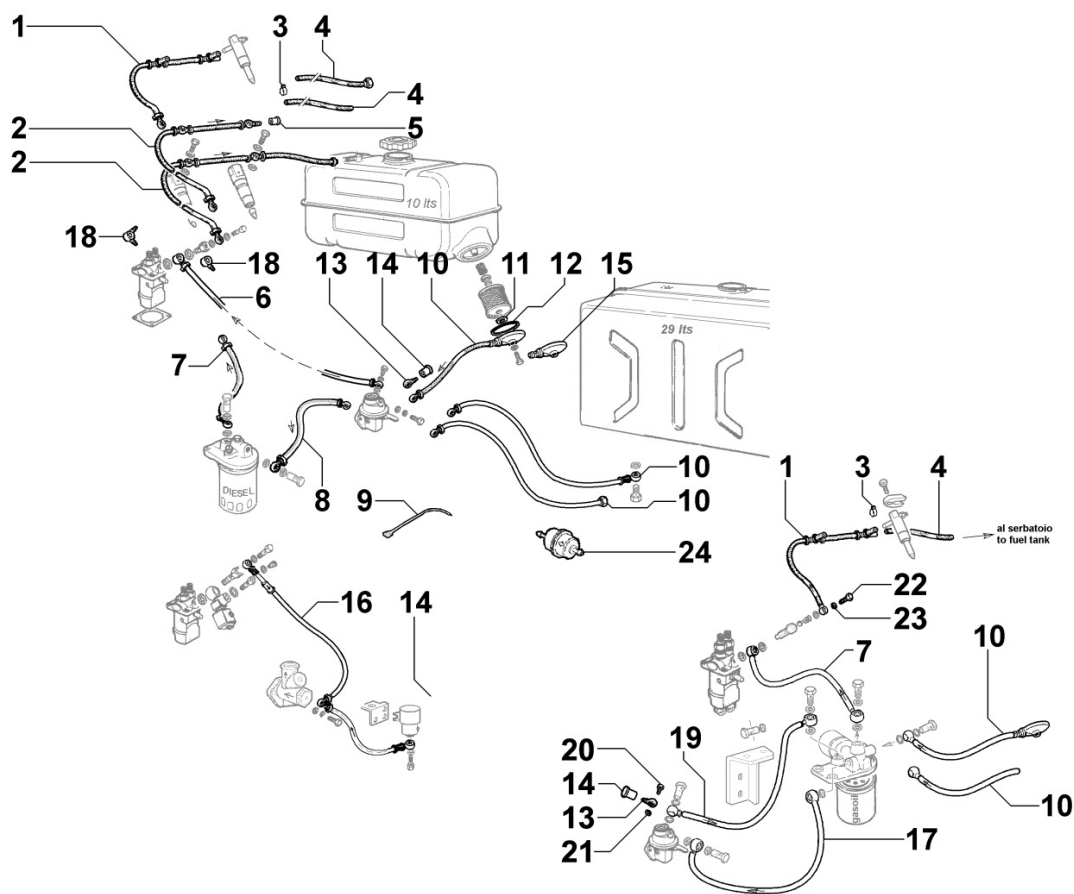
Pos	Kit	Included In	Code	Description	Qty	Old Code	Tech. Info
1			ED0017800310-S	VITE TE.10X25-5739-8G+ZN.B	2		
2			ED0075650110-S	LOCK WASHER M10	2		
4			ED0087600380-S	SUPPORT	1		
5			ED0032400320-S	NUT M10X1.5-5587.8G+DACROMET	2		
5			ED0032400370-S	HEX.NUT	2		
7			ED0017800090-S	BOLT TE.10x40-5739-8G+ZN.B	2		
13			ED0046700610-S	COPPER WASHER D19/14.2 1.5 THK	4		
14			ED0019010320-S	Banjo bolt 14X1	2		
15	(A)		ED0037301510-S	§FUEL FIL.	1		
15	(A)		ED0037301510-S	§FUEL FIL.	1	ED0037300370-S	
16		(A)	ED0021752860-S	FUEL FILTER CARTRIDGE	1	ED0021750460-S	
18			ED0017700010-S	SCREW M.8X12-5739-8G+ZN.B	2		
19			ED0075650070-S	SPRING WASHER D14.2/8.2	2		
20			ED0051110620-S	RETAINER	2		

**8062090010 - FUEL FEED PUMP**



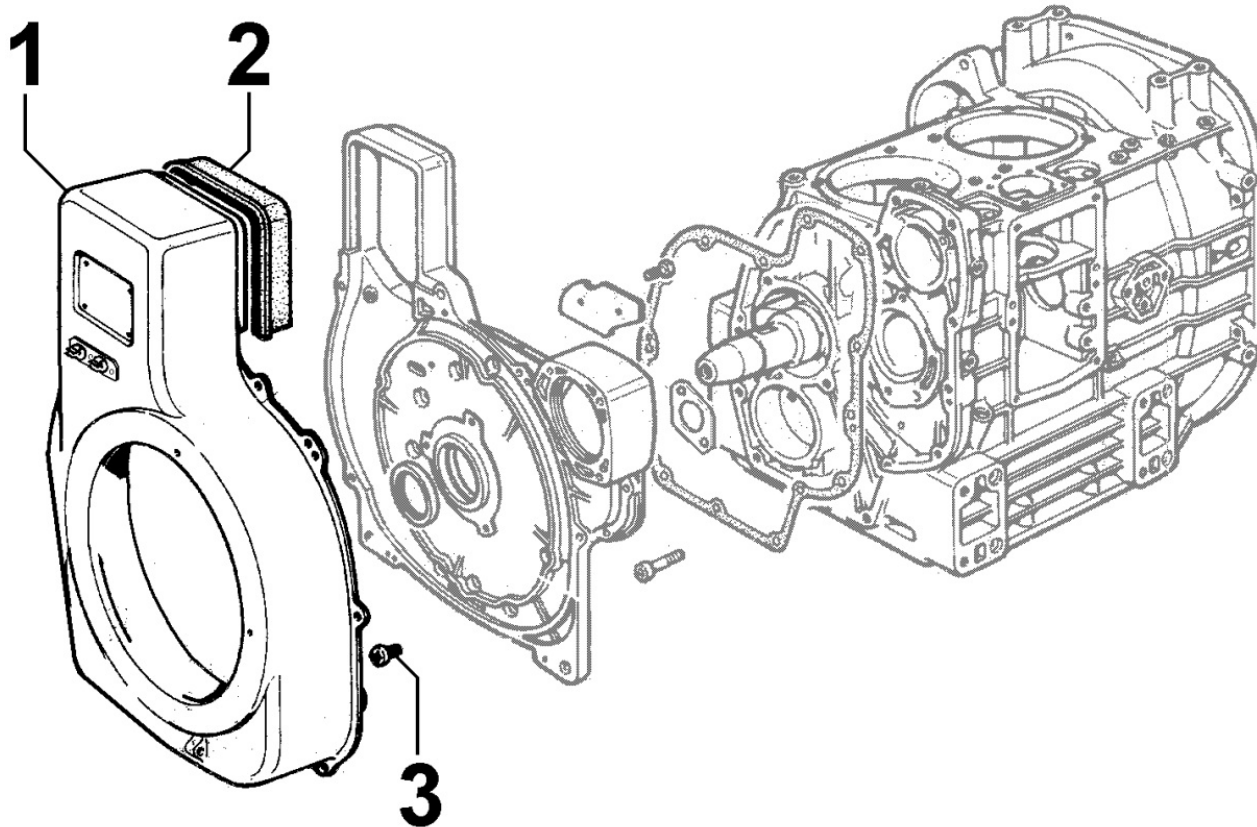
Pos	Kit	Included In	Code	Description	Qty	Old Code	Tech. Info
1			ED0072000780-S	DRIVE ROD	1		
2			ED0019011930-S	UNION BOLT M 10	2		
3			ED0046700590-S	COPPER WASHER D14/10.2 1.	4		
4			ED0012000870-S	OR 3150	1		
5			ED0065850960-S	FEED PUMP	1		
6			ED0075550290-S	BEL WASHER D15/8.4 0.8 T	2		
7			ED0032401640-S	NUT	2		

8064090190 - FUEL LINES



Pos	Kit	Included In	Code	Description	Qty	Old Code	Tech. Info
2			ED0093711000-S	FUEL TUBE	1		
5			ED0021450380-S	RUBBER CAP FOR ADJ BANJO- 4MM	1		
7			ED0093750300-S	FUEL TUBE	1		
8			ED0093758540-S	FUEL HOSE 10/14.6X12L=680	1		
13			ED0072701040-S	*RACCORDO/UNION FV	1		
14			ED0021450370-S	RUBBER CAP FOR ADJ BANJO - 6MM	1		

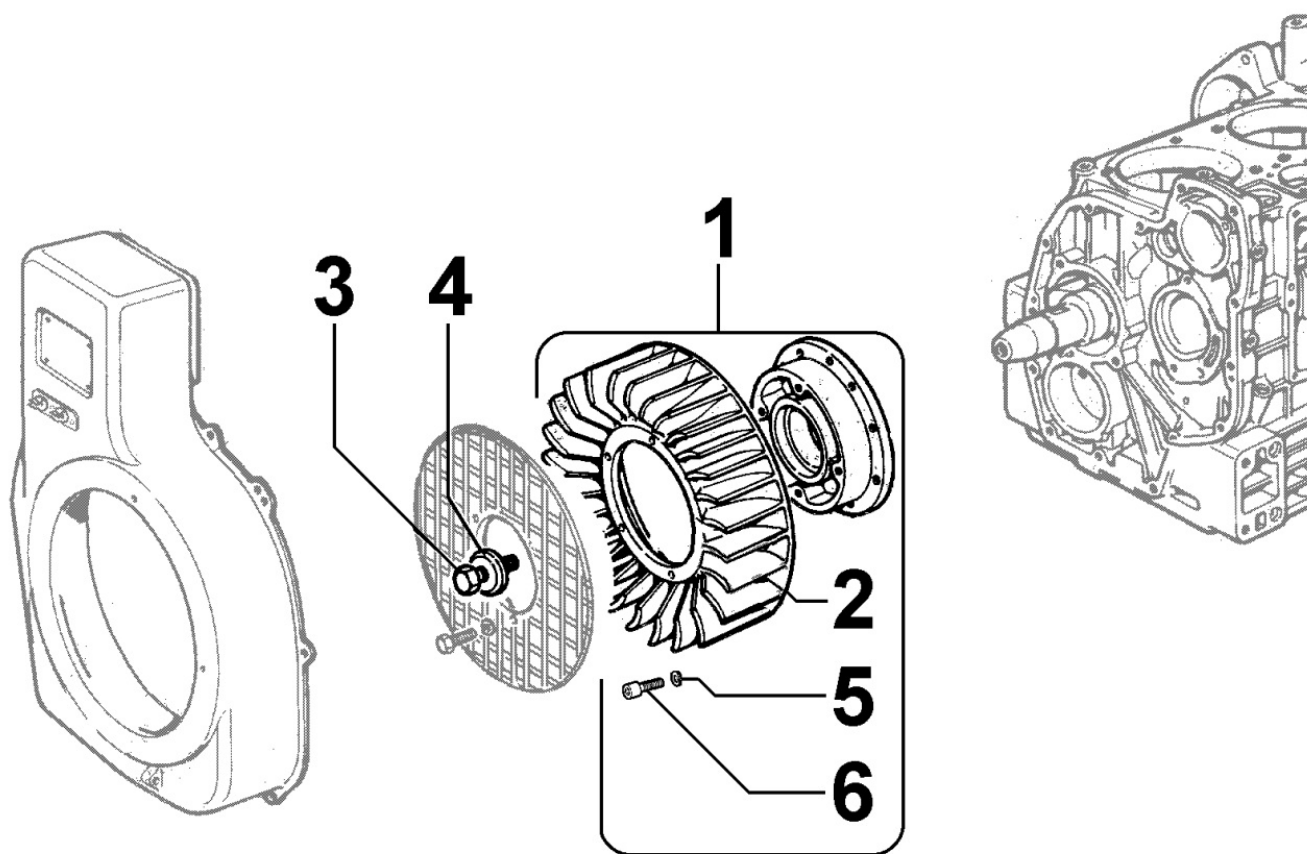
8070090010 - AIR SHROUD




Pos	Kit	Included In	Code	Description	Qty	Old Code	Tech. Info
1			ED0025691650-S	SHROUD	1		
2			ED0047760910-S	GASKET	1		
3			ED0097900390-S	CH-H.SCREW	7		



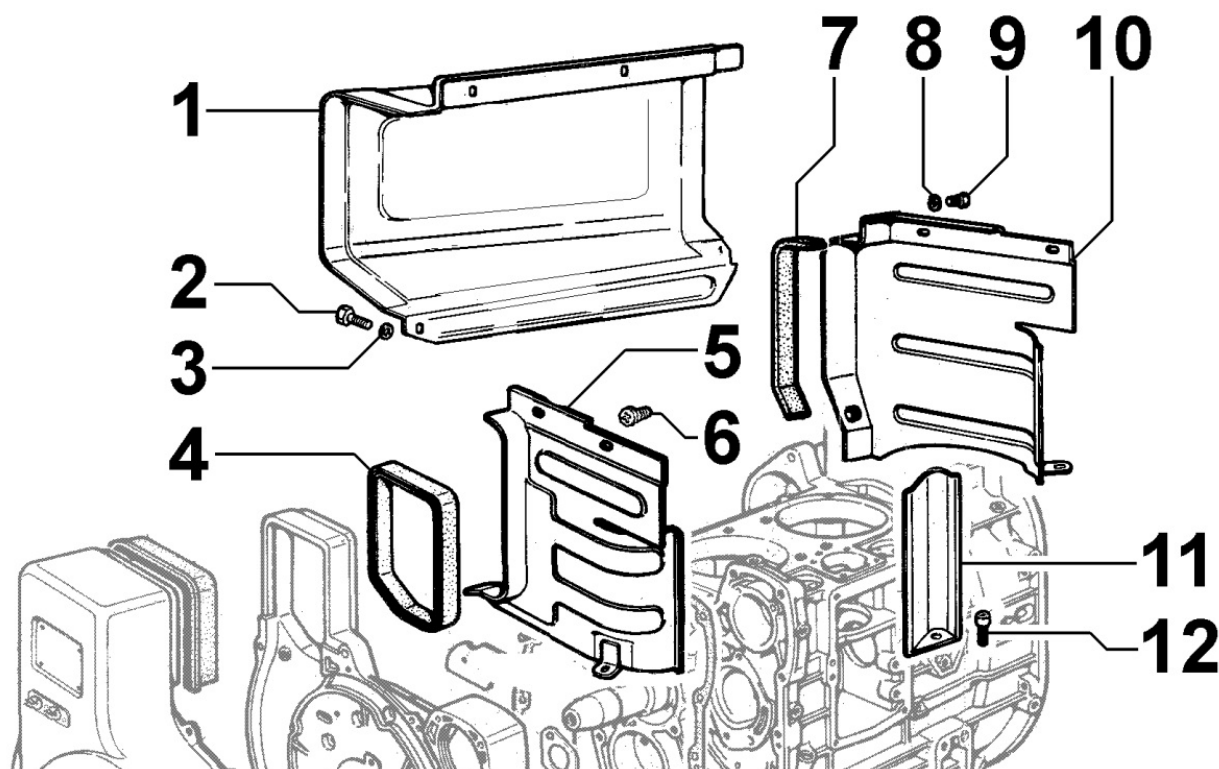
8071090010 - COOLING FAN



Pos	Kit	Included In	Code	Description	Qty	Old Code	Tech. Info
1	(A)		ED0048930220-S	BLOWER ASS.Y	1		
2		(A)	ED0097182520-S	BLOWER FAN	1		
3			ED0098653190-S	CRANKSHAFT BOLT	1		
4			ED0076260330-S	WASHER	1		
5		(A)	ED0076250080-S	PLAIN WASHERS 6,4X12,5X1,6	5		
6		(A)	ED0017600060-S	HEX BOLT M6X20L 8.8S	5		

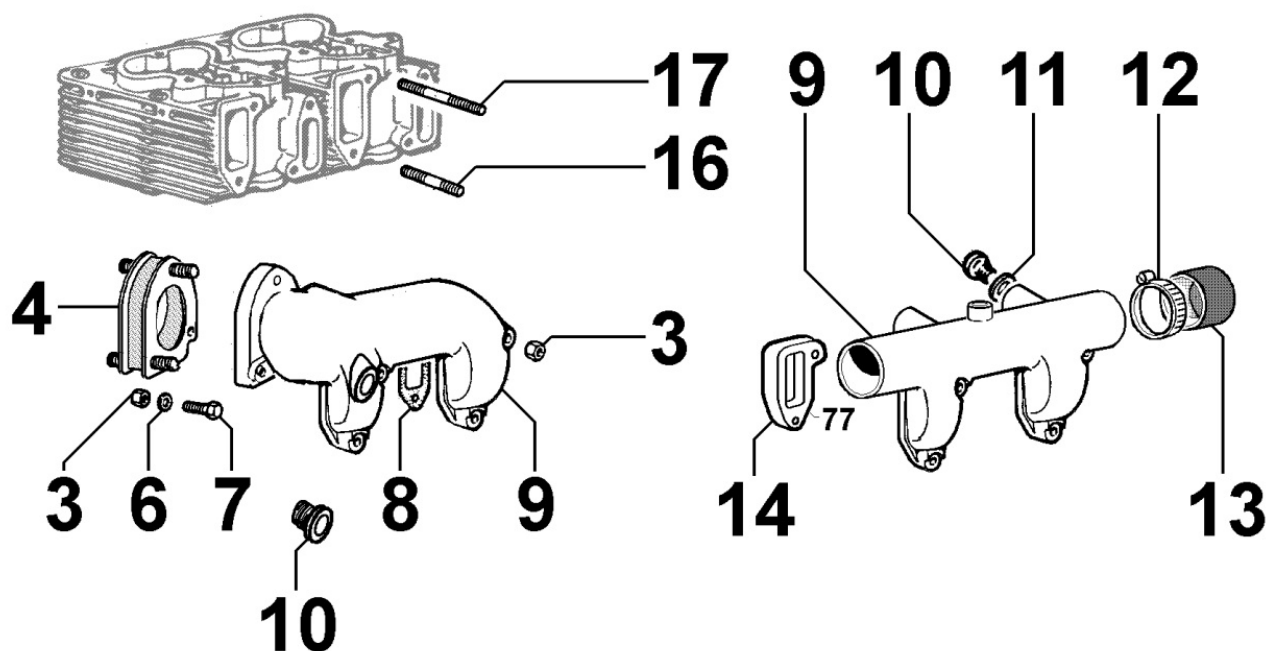


8072090060 - COOLING PLATES



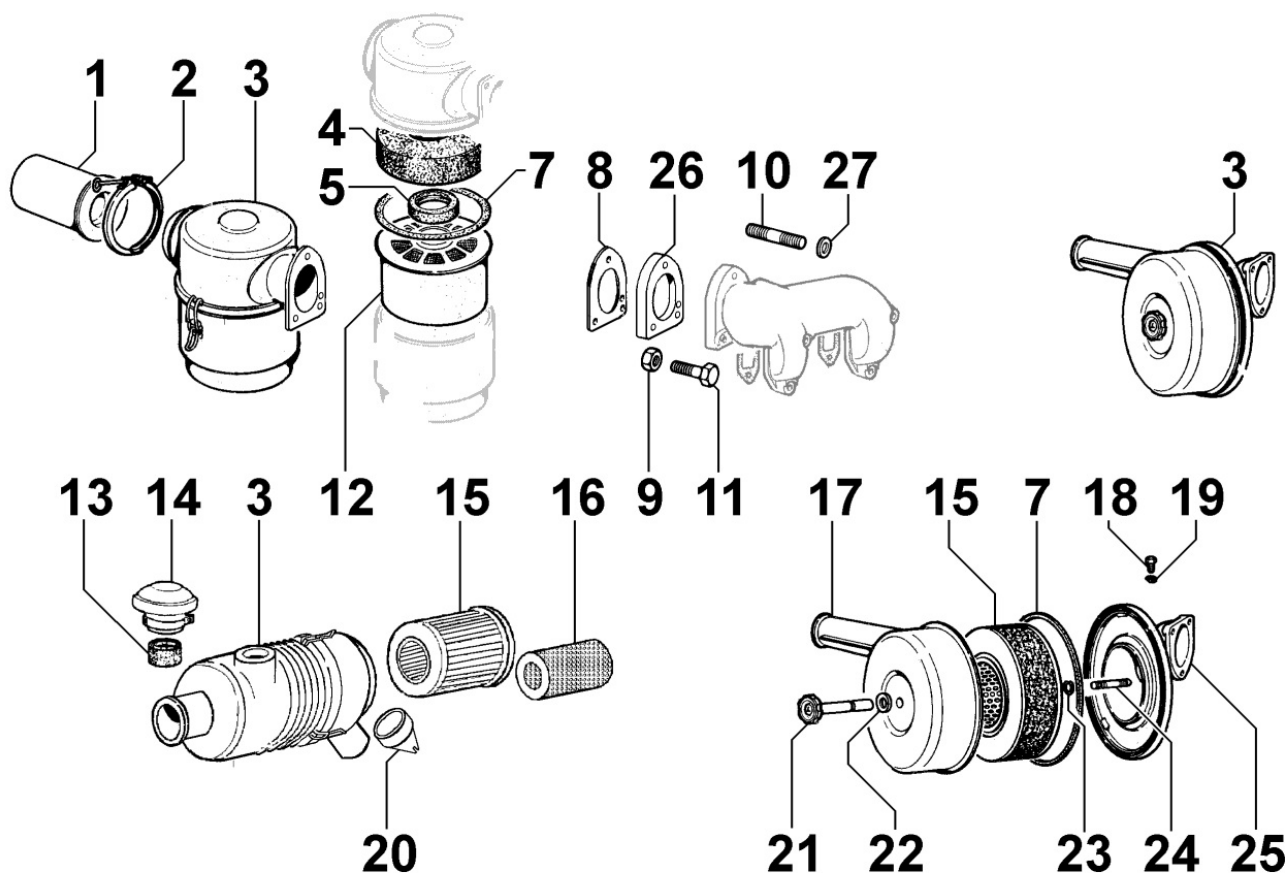
Pos	Kit	Included In	Code	Description	Qty	Old Code	Tech. Info
1			ED0029201060-S	HOOD	1		
2			ED0017700020-S	HEX.HEAD.SCR.M8X16-5739-	1		
3			ED0075650070-S	SPRING WASHER D14.2/8.2	1		
4			ED0047760920-S	GASKET	1		
5			ED0050660830-S	PANEL	1		
6			ED0097900390-S	CH-H.SCREW	6		
7			ED0047760930-S	GASKET	1		
8			ED0076250700-S	PLAIN WASHER 6X16X1	2		
9			ED0017600030-S	SCREW 6X12-5739-8G+ZN.B	2		
10			ED0050660780-S	S.PLATE	1		
11			ED0033500770-S	DEFLECTOR	1		
12			ED0097310920-S	ALLEN SCREW	1		

**8080090050 - AIR INLET MANIFOLD / AIR FILTER**



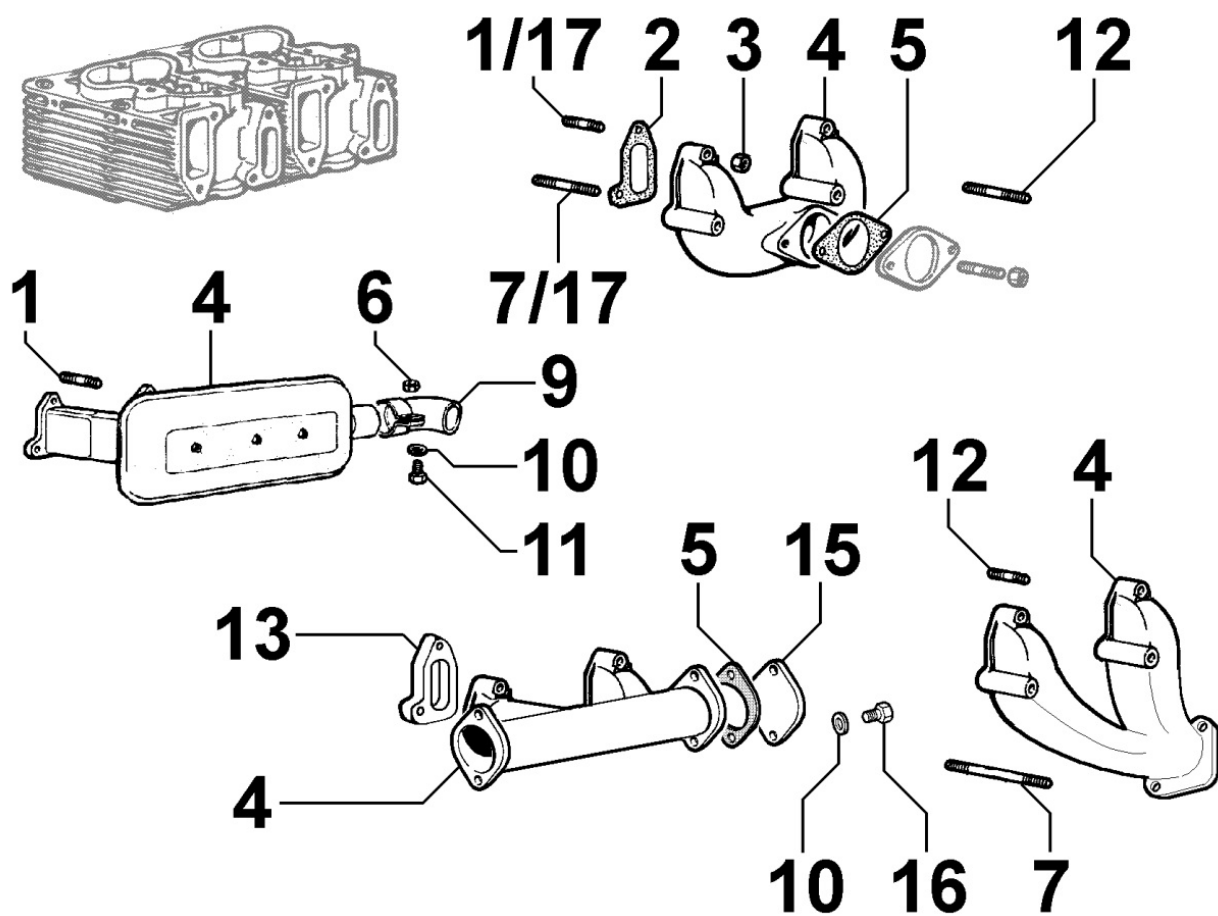
Pos	Kit	Included In	Code	Description	Qty	Old Code	Tech. Info
3			ED0032401640-S	NUT	4		
8			ED0044200200-S	GASKET	2		
9			ED0024863120-S	MANIFOLD	1		
16			ED0067800840-S	STUD	2		
17			ED0067800300-S	STUD	2		

8081090110 - AIR FILTER



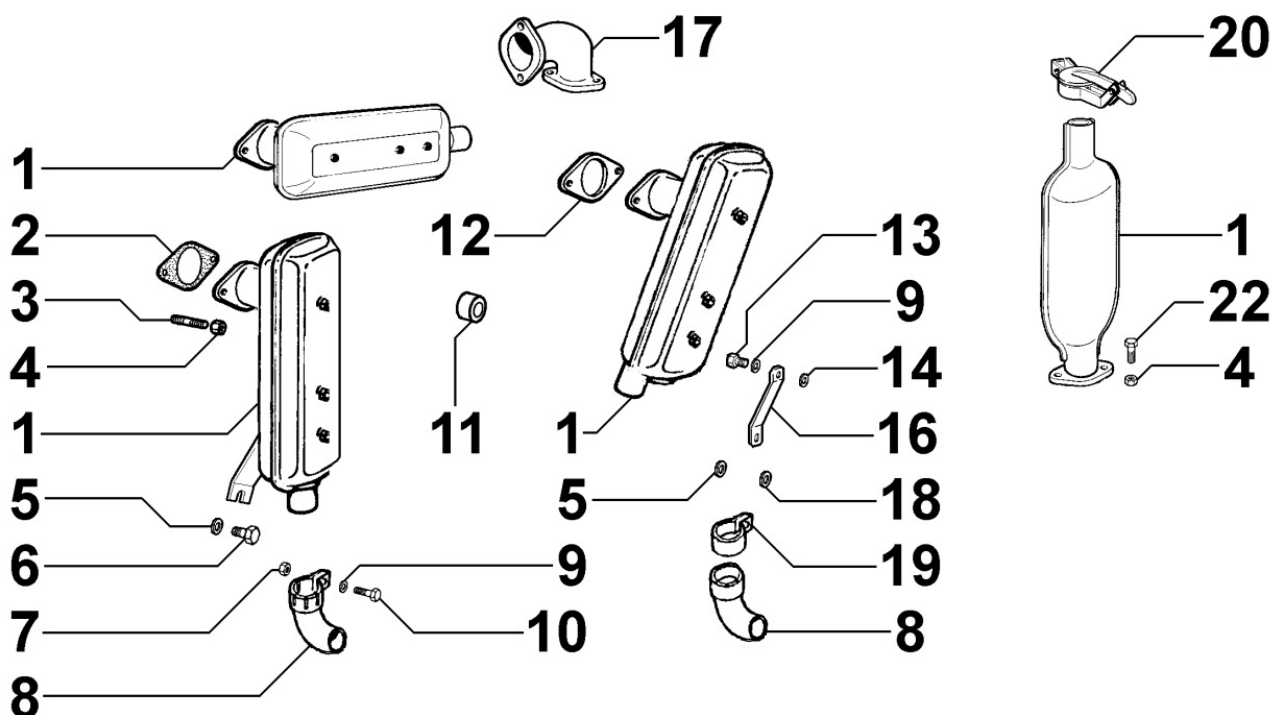
Pos	Kit	Included In	Code	Description	Qty	Old Code	Tech. Info
1			ED0067270220-S	PREFILTER	1		
2			ED0036172230-S	CLAMP	1		
3	(A)		ED0037003200-S	AIR CLEANER	1		
4			ED0054961100-S	AIR FILTER	1		⚠
5			ED0035271170-S	DISTANZIALE/SPACER FVIC10	1	ED0035250800-S	
7			ED0047760320-S	GASKET	1		
8			ED0047760620-S	GASKET	1		
9			ED0032401640-S	NUT	3		
10			ED0067800490-S	*STUD M8X20	1		
11			ED0017700820-S	BULLONE/BOLT N 10	2		
12			ED0054960750-S	ELEMENT	1		⚠

8085090030 - EXHAUST GAS MANIFOLD



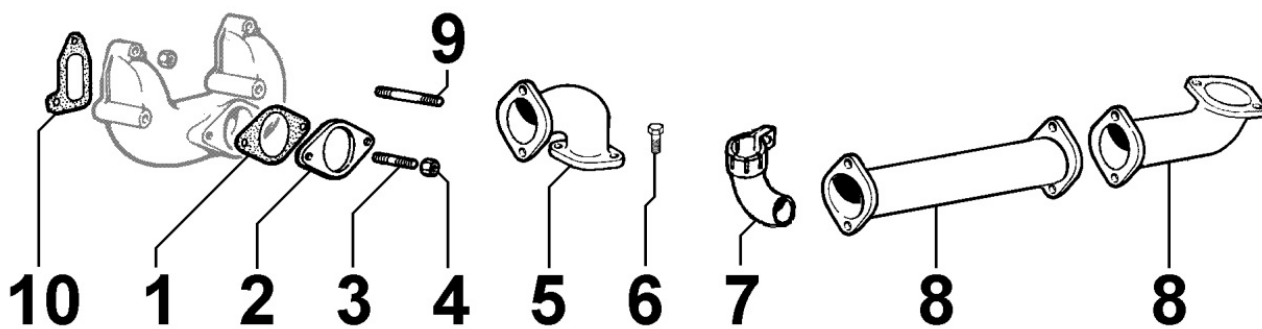
Pos	Kit	Included In	Code	Description	Qty	Old Code	Tech. Info
1			ED0067800840-S	STUD	2		
2			ED0044200190-S	GASKET	2		
3			ED0032401630-S	HEX FLANG HEAD NUT M8 RM	4		
4			ED0024860280-S	MANIFOLD	1		
17			ED0067800860-S	STUD	2		

**8086090110 - EXHAUST MUFFLER**



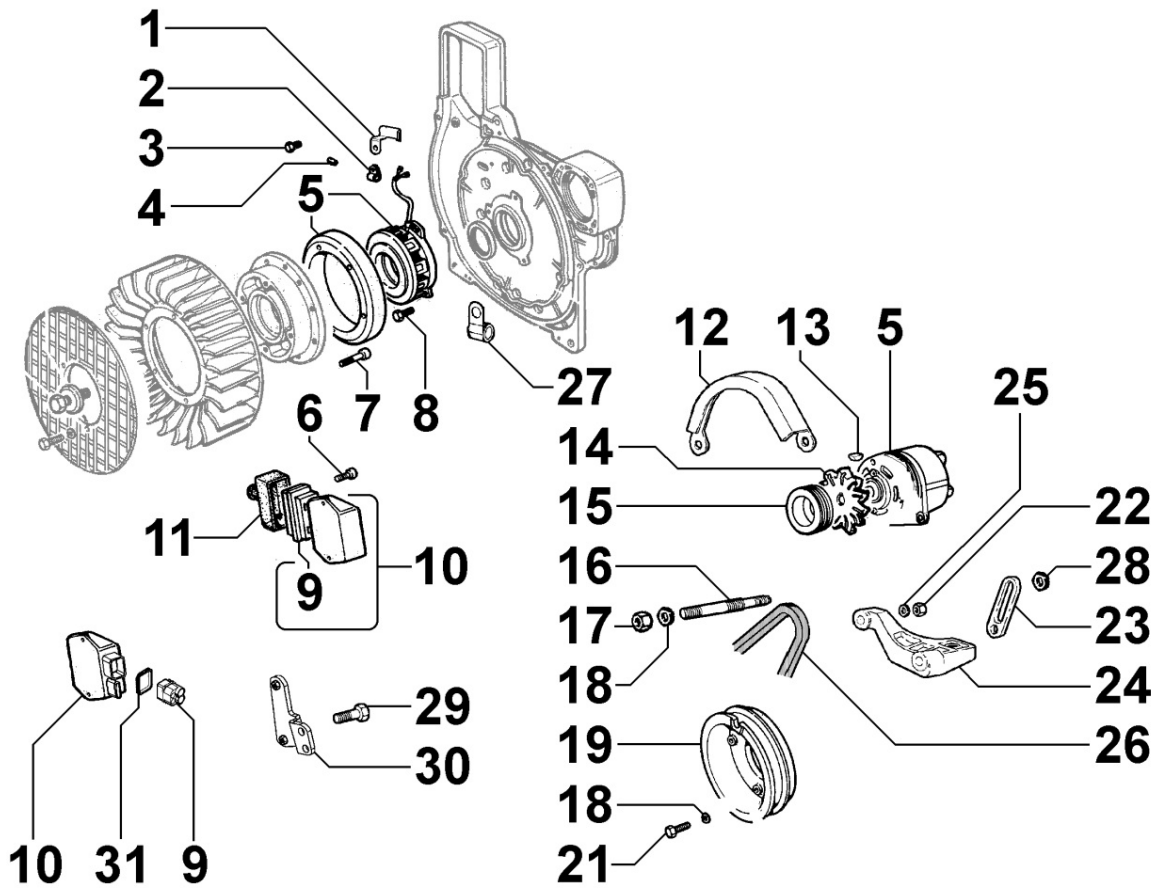
Pos	Kit	Included In	Code	Description	Qty	Old Code	Tech. Info
1			ED0054602480-S	MUFFLER	1		
2			ED0045000790-S	GASKET	1		
7			ED0032400180-S	HEX NUT M8 1.25P STEEL 8	1		
8			ED0091700500-S	TUBE END	1		
9			ED0075650070-S	SPRING WASHER D14.2/8.2	1		
10			ED0017700040-S	VITE TE.8X20-5739-8G+ZN.B	1		
12			ED0038150130-S	FLANGE	1		

**8087090140 - EXHAUST GAS ACCESSORIES**



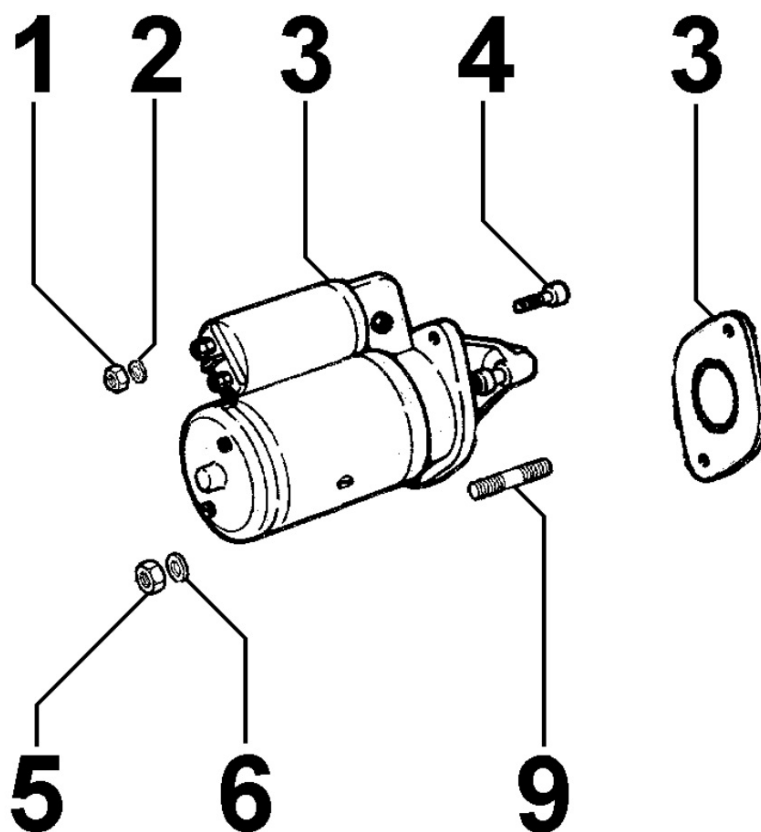
Pos	Kit	Included In	Code	Description	Qty	Old Code	Tech. Info
1			ED0045000790-S	GASKET	1		
2			ED0038150130-S	FLANGE	1		
3			ED0067800080-S	STUD M8X20	2		
4			ED0032401630-S	HEX FLANG HEAD NUT M8 RM	4		
5			ED0029410970-S	ELBOW	1		
6			ED0017700060-S	SCREW 8x25-5739-8G+ZN.B	2		

8100090060 - VOLTAGE ALTERNATOR



Pos	Kit	Included In	Code	Description	Qty	Old Code	Tech. Info
1			ED0036171020-S	CLAMP	1		
2			ED0036170450-S	CLAMP	1		
3			ED0097300080-S	SCREW 6X10-5931-8.8+Zn.B	1		
5			ED0011571540-S	ALTERNATOR 12V 14A	1		⚠
6			ED0097320920-S	SCREW	2		
7			ED0097320780-S	SOC HEAD CAP SCR M6X25 8.8	5		
8			ED0097310220-S	ALLEN SCREW	4		
9		(A)	ED0067401530-S	INLET	1		⚠
10	(A)		ED0073624070-S	VOLTAGE REGULATOR 12V-30A	1	ED0073622280-S	
11			ED0021450140-S	CAP	1		
25			ED0075650070-S	SPRING WASHER D14.2/8.2	1		
27			ED0036171470-S	CLAMP D.14	1		

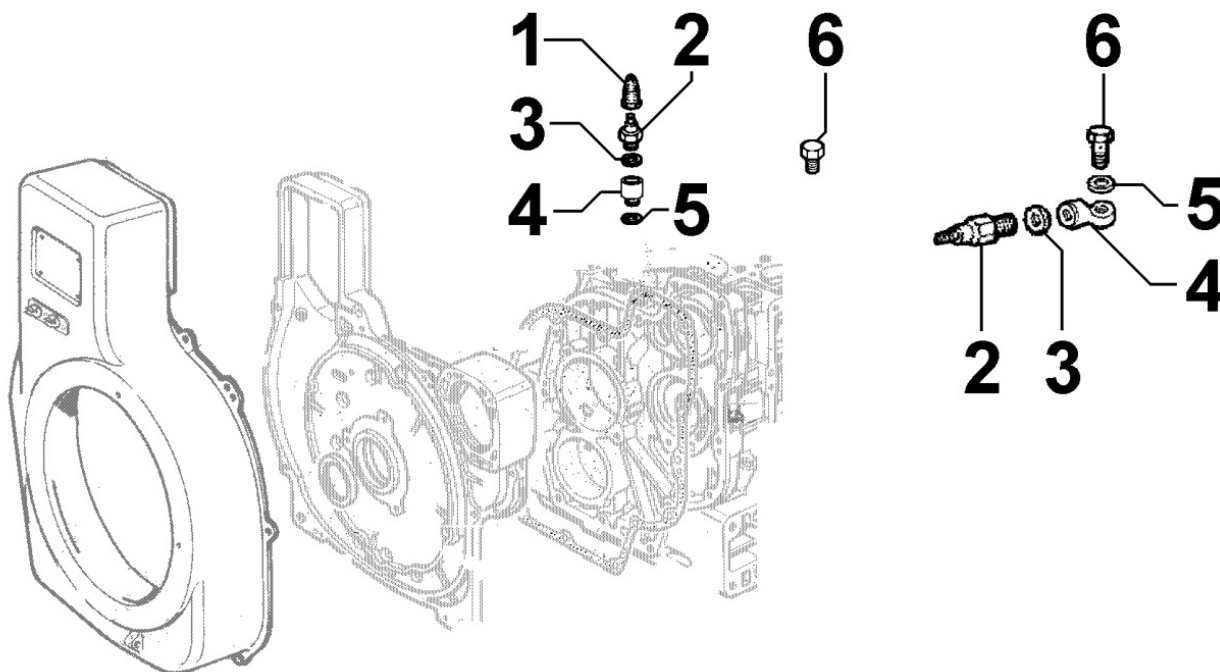
8101090010 - STARTING MOTOR



Pos	Kit	Included In	Code	Description	Qty	Old Code	Tech. Info
1			ED0032400200-S	NUT M8X1,25 UNI 5589-6S+ZN.B	1		
2			ED0075650070-S	SPRING WASHER D14.2/8.2	1		
3			ED0058402240-S	STARTER MOTOR 1.7KW	1		
4			ED0097300460-S	SOC HEAD SCREW M10X35-5931.8G+ZN.B	1		
5			ED0032400660-S	HEX.NUT M10X1,5 UNI 5588-8G+ZN.B	2		
6			ED0075650110-S	LOCK WASHER M10	2		
9			ED0068000040-S	STUD	1		

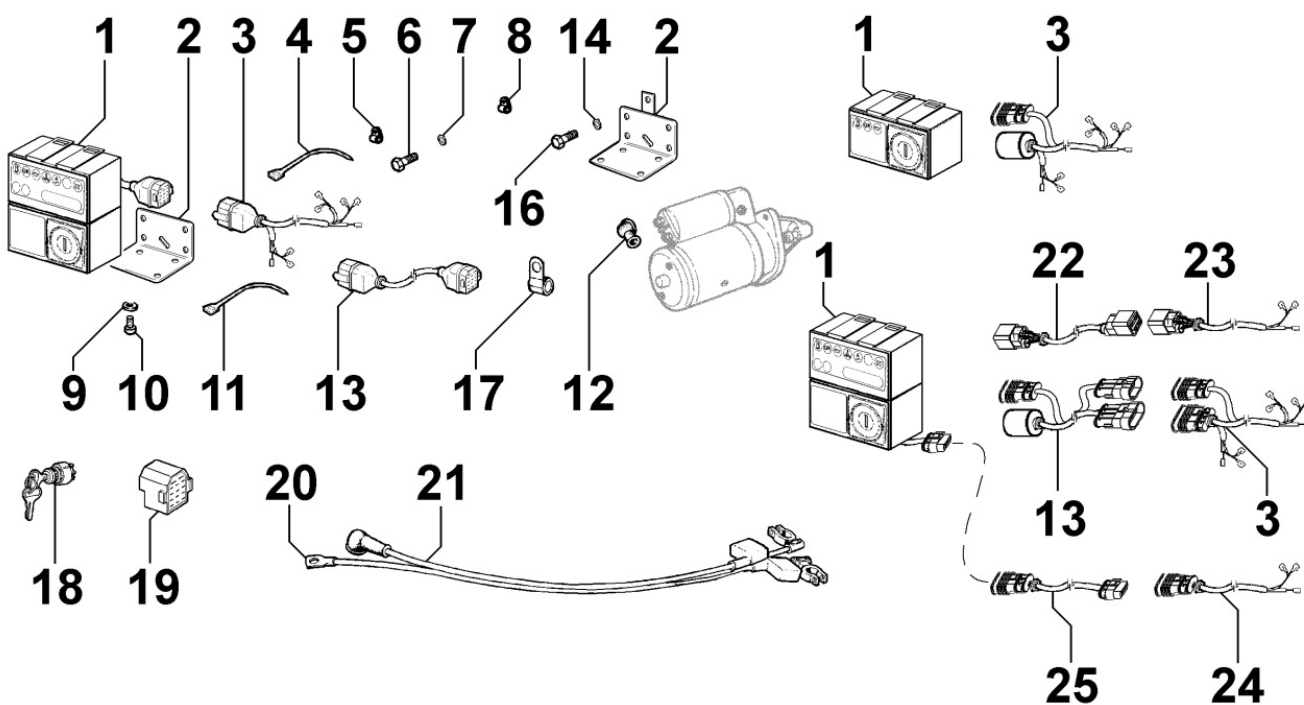


8102090030 - OIL PRESSURE SWITCH



Pos	Kit	Included In	Code	Description	Qty	Old Code	Tech. Info
1			ED0064910130-S	GROMMET	1		
2			ED0067450930-S	OIL PRESSURE SWITCH 0.3BAR	1		
3			ED0046700600-S	COPPER WASHER	1		

8103090210 - CONTROL PANEL / ENGINE WIRES



Pos	Kit	Included In	Code	Description	Qty	Old Code	Tech. Info
1	(A)		ED0072454170-S	PANEL	1		⚠
4			ED0024710140-S	COLLARE/COLLAR N 10	1		
5			ED0036170450-S	CLAMP	2		
6			ED0017700020-S	HEX.HEAD.SCR.M8X16-5739-	1		
11			ED0024710060-S	NYLON COLLAR	1		
12			ED0064910050-S	PIPETTA/PIPE ELBOW FV C	1		
13			ED0021858910-S	CABLE	1		⚠
13			ED0021858930-S	CABLE	1		⚠
14			ED0076250100-S	WASHER D.8X15X1,5	1		
18		(A)	ED0050410200-S	SWITCH	1		

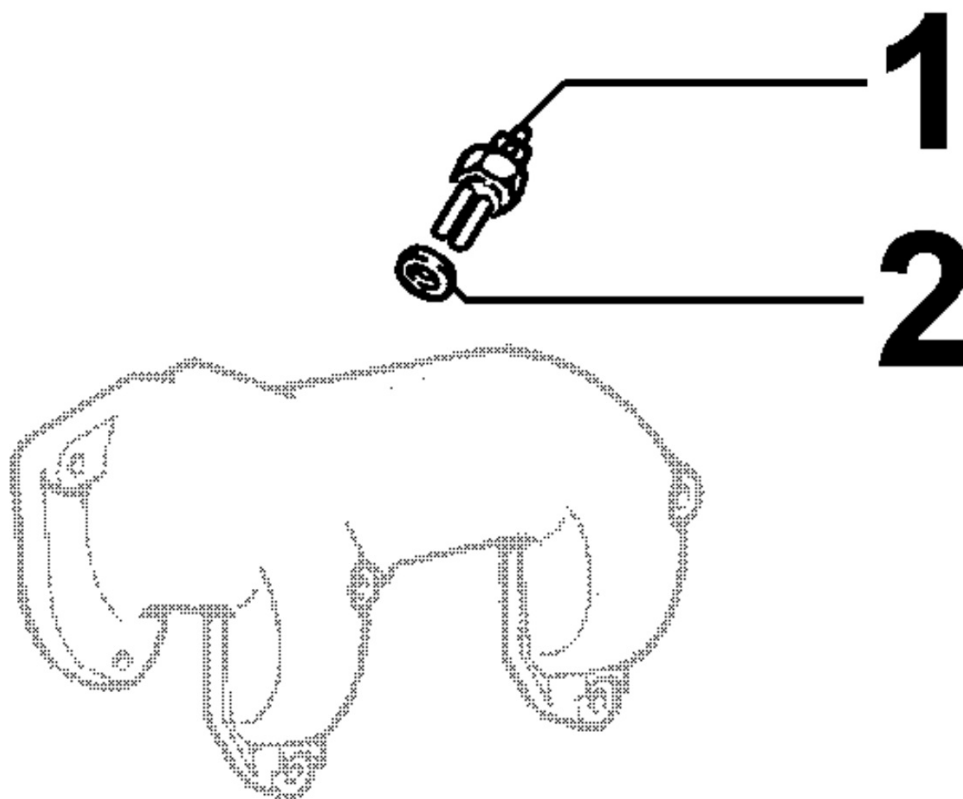
8105090040 - FUSES / ELECTRICAL ACCESSORIES

14



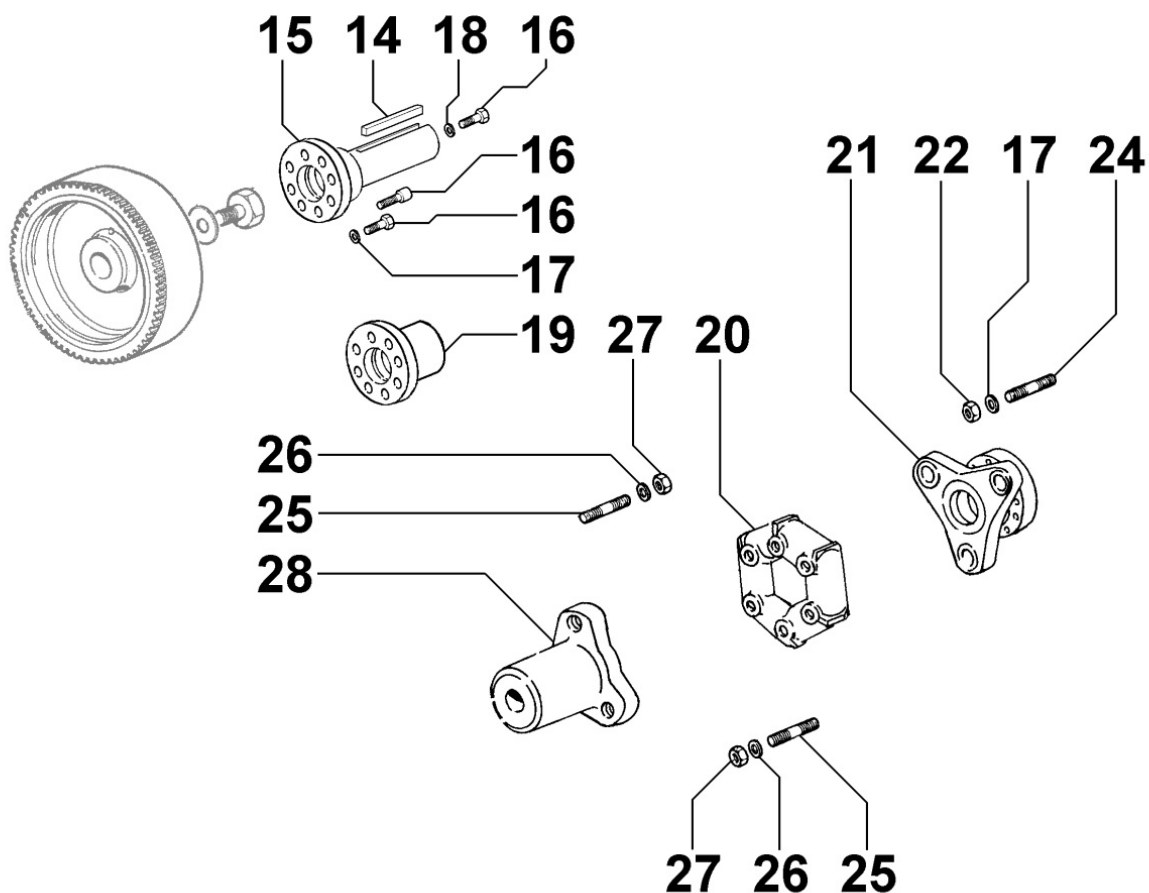
Pos	Kit	Included In	Code	Description	Qty	Old Code	Tech. Info
14			ED0071951120-S	PUSHBUTTON	1		

8106090010 - GLOW PLUGS / CONTROL UNIT



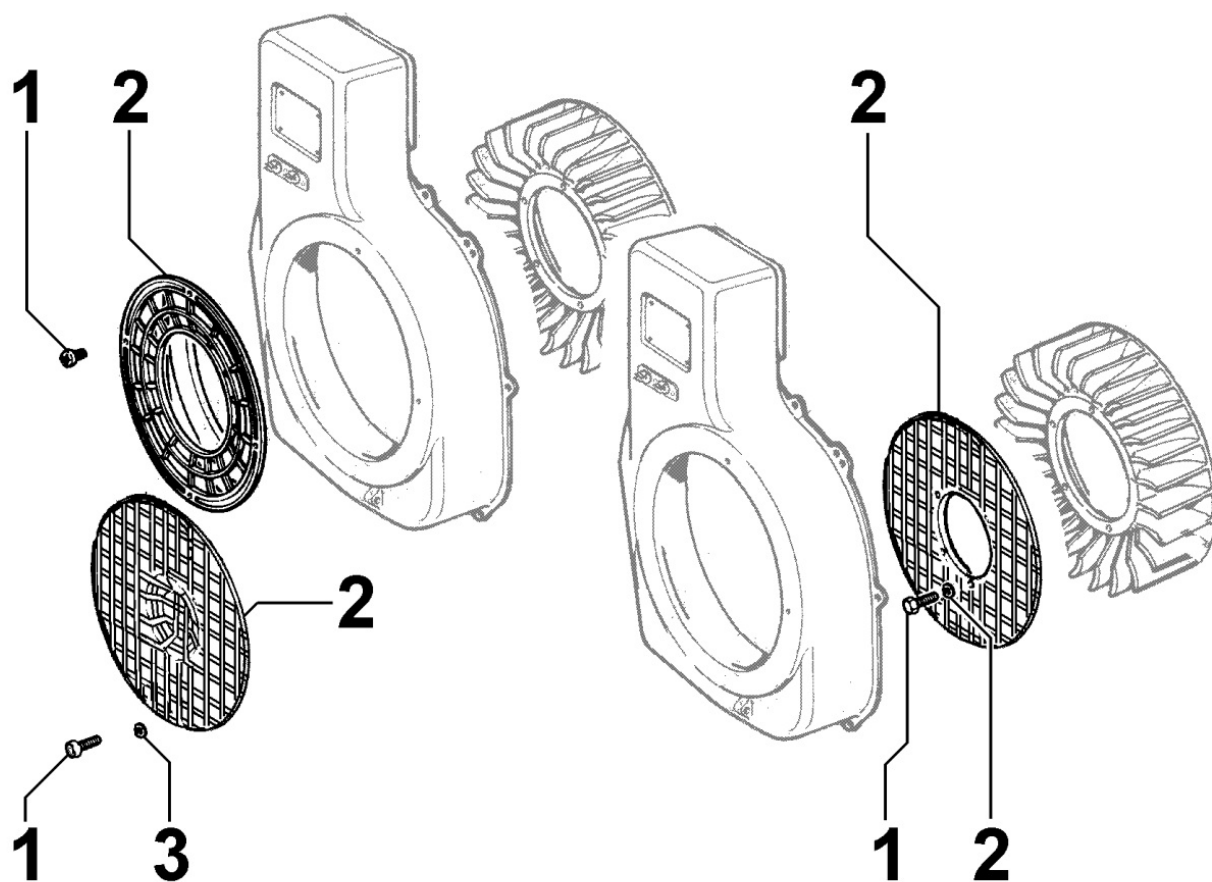
Pos	Kit	Included In	Code	Description	Qty	Old Code	Tech. Info
1			ED0021000550-S	GLOW PLUG	1		

8162090030 - 1st PTO ACCESSORIES



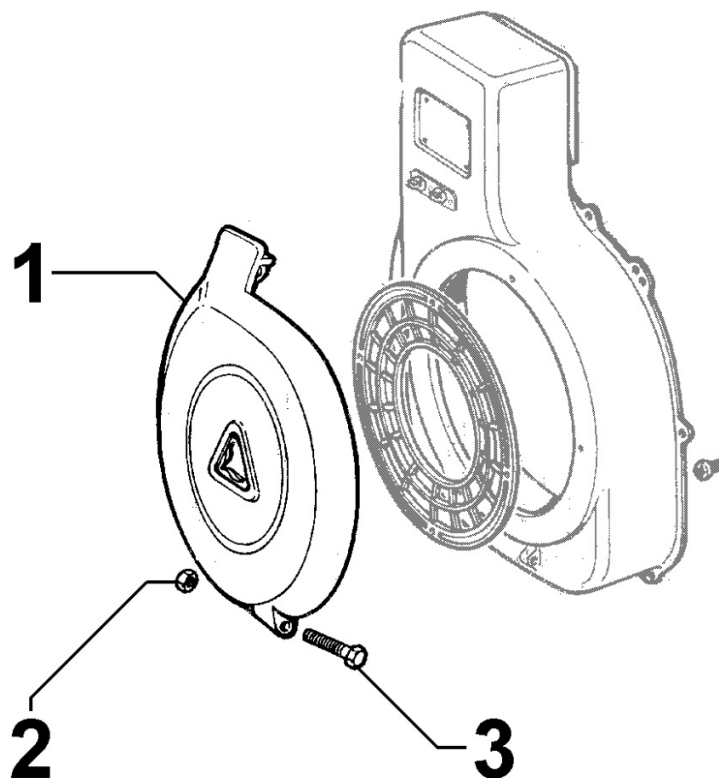
Pos	Kit	Included In	Code	Description	Qty	Old Code	Tech. Info
14			ED0022800930-S	3/8" X 4-5/16" KEY	1		
15			ED0011110400-S	SHAFT	1		
16			ED0017800310-S	VITE TE.10X25-5739-8G+ZN.B	8		
17		(A)	ED0075650110-S	LOCK WASHER M10	8		

8172090040 - FAN GUARD



Pos	Kit	Included In	Code	Description	Qty	Old Code	Tech. Info
1			ED0098651220-S	VITE/SCREW	4		
2			ED0069270550-S	GUARD	1		

8179090010 - HEAD COVER



Pos	Kit	Included In	Code	Description	Qty	Old Code	Tech. Info
1			ED0026700490-S	COVER	1		
2			ED0032030500-S	SELF LOCKING NUT M6 X 1	1		
3			ED0017600940-S	BOLT	1		

# KOHLER® ENGINES