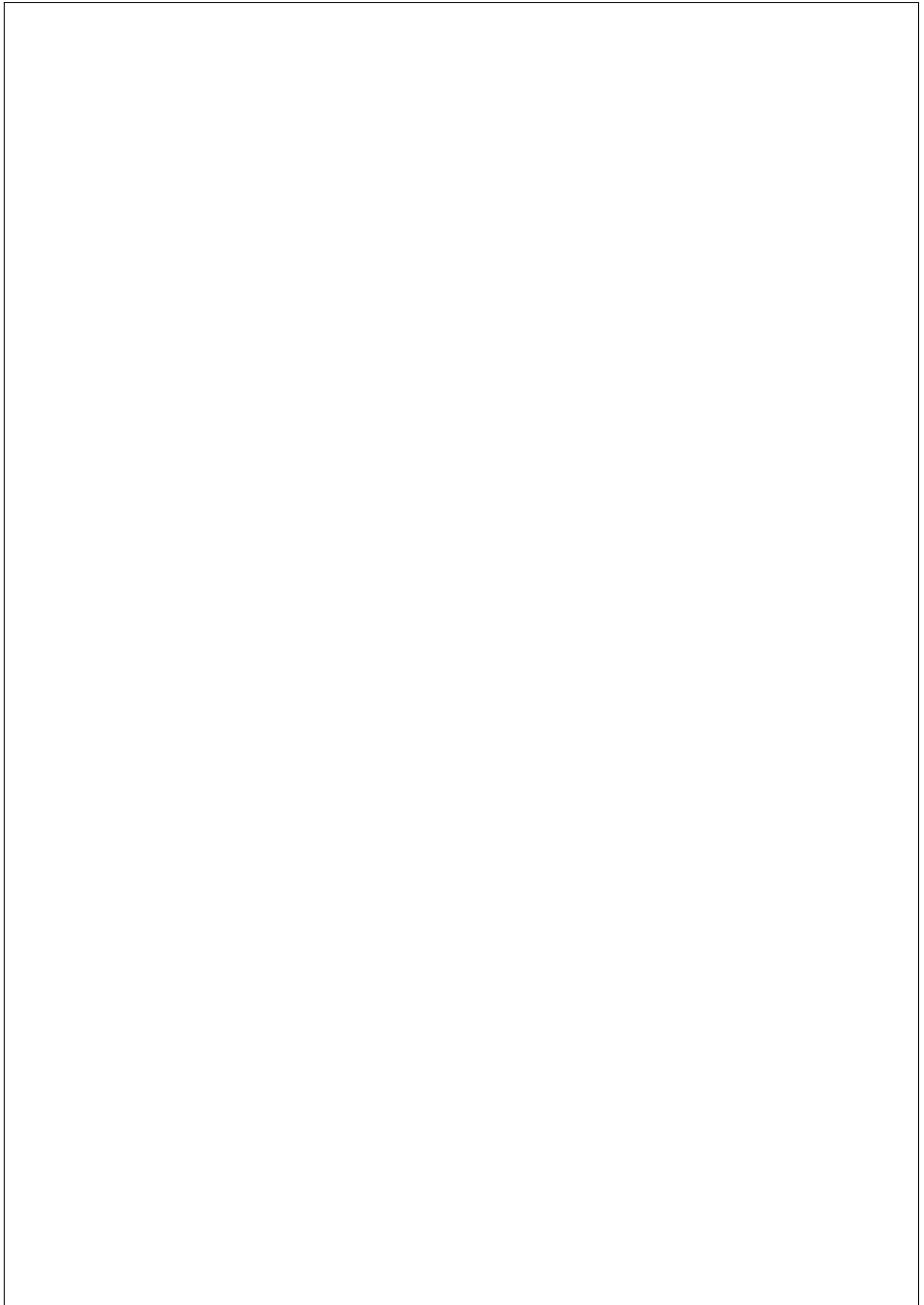




## 25LD330-2

Update Date 02/11/2019





## Tavola ricambi

Index	Description
8010250290	CRANKSHAFT
8011250010	PISTON / CONNECTING ROD
8012250410	FLYWHEEL
8020250010	CRANKCASE
8021250090	CYLINDER HEAD
8022250310	HEAD COVER
8023250010	FLYWHEEL SIDE SUPPORT
8024250010	TIMING GEAR SIDE SUPPORT
8025250020	ENGINE MOUNTS
8026250010	CRANKSHAFT CENTRAL SUPPORT
8030250010	INJECTION SYSTEM
8035250010	CAMSHAFT
8038250010	TIMING SYSTEM
8040250010	OIL PUMP
8041250040	OIL PAN
8042250010	OIL FILTER
8043250010	OIL DIPSTICK
8044250010	OIL PRESSURE VALVE
8045250020	BREATHER SYSTEM
8050250030	SPEED GOVERNOR
8051250040	CONTROLS
8062250180	FUEL FEED PUMP
8063250350	FUEL TANK
8064250010	FUEL LINES
8070250010	AIR SHROUD
8072250010	COOLING PLATES
8080250050	AIR INLET MANIFOLD / AIR FILTER
8081250390	AIR FILTER
8085250210	EXHAUST GAS MANIFOLD
8087250090	EXHAUST GAS ACCESSORIES
8100250420	VOLTAGE ALTERNATOR
8101250030	STARTING MOTOR
8102250070	OIL PRESSURE SWITCH
8110250040	STARTING
8171250010	TIMING GEAR GUARD
8179250200	HEAD COVER

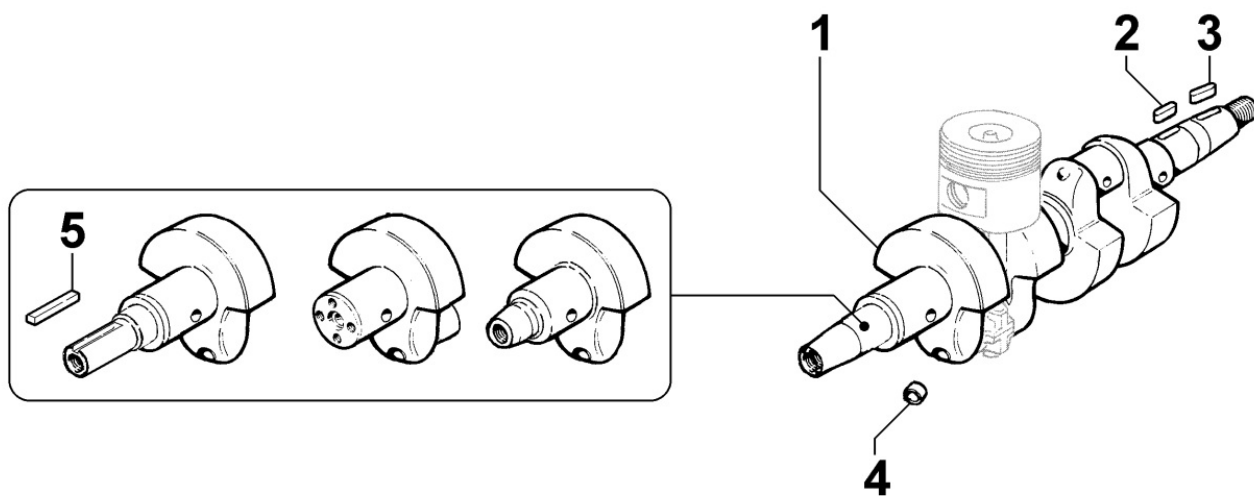
---

## Tavola ricambi

Index	Description
8198250120	SPECIAL DETACHED COMPONENTS

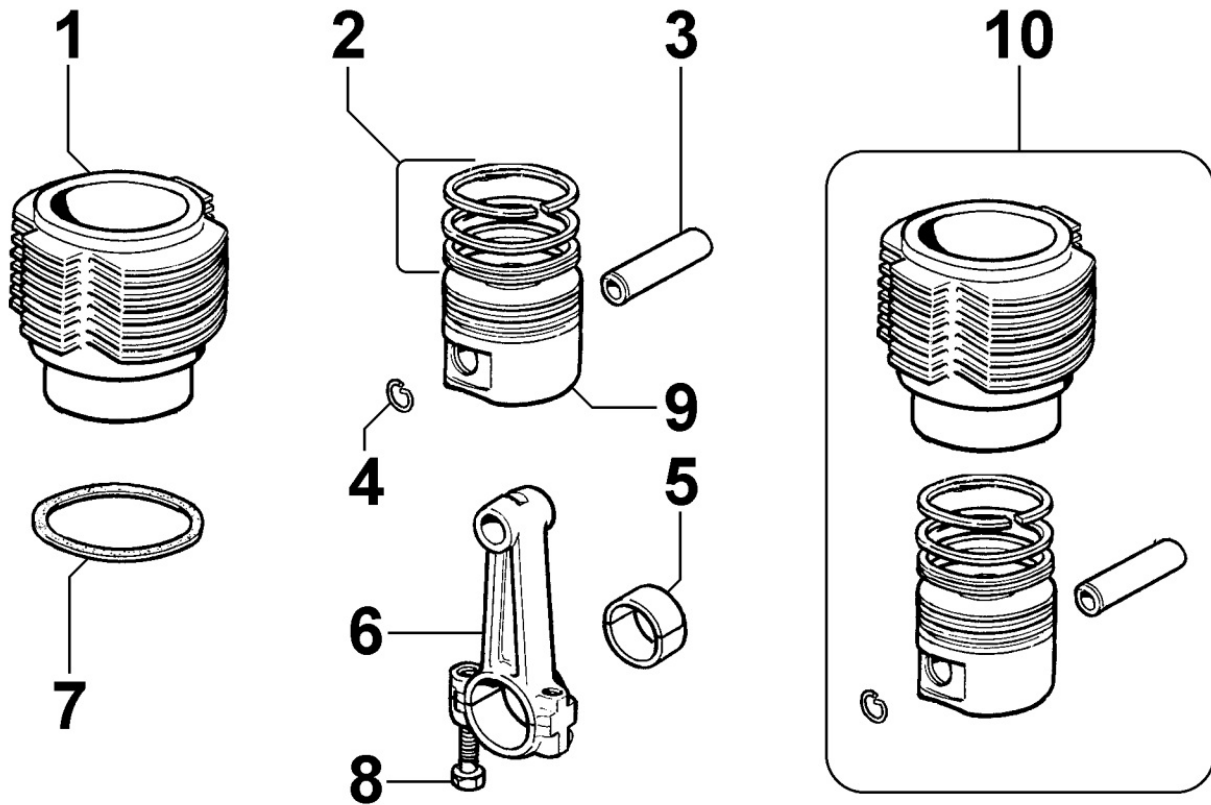
---

**8010250290 - CRANKSHAFT**



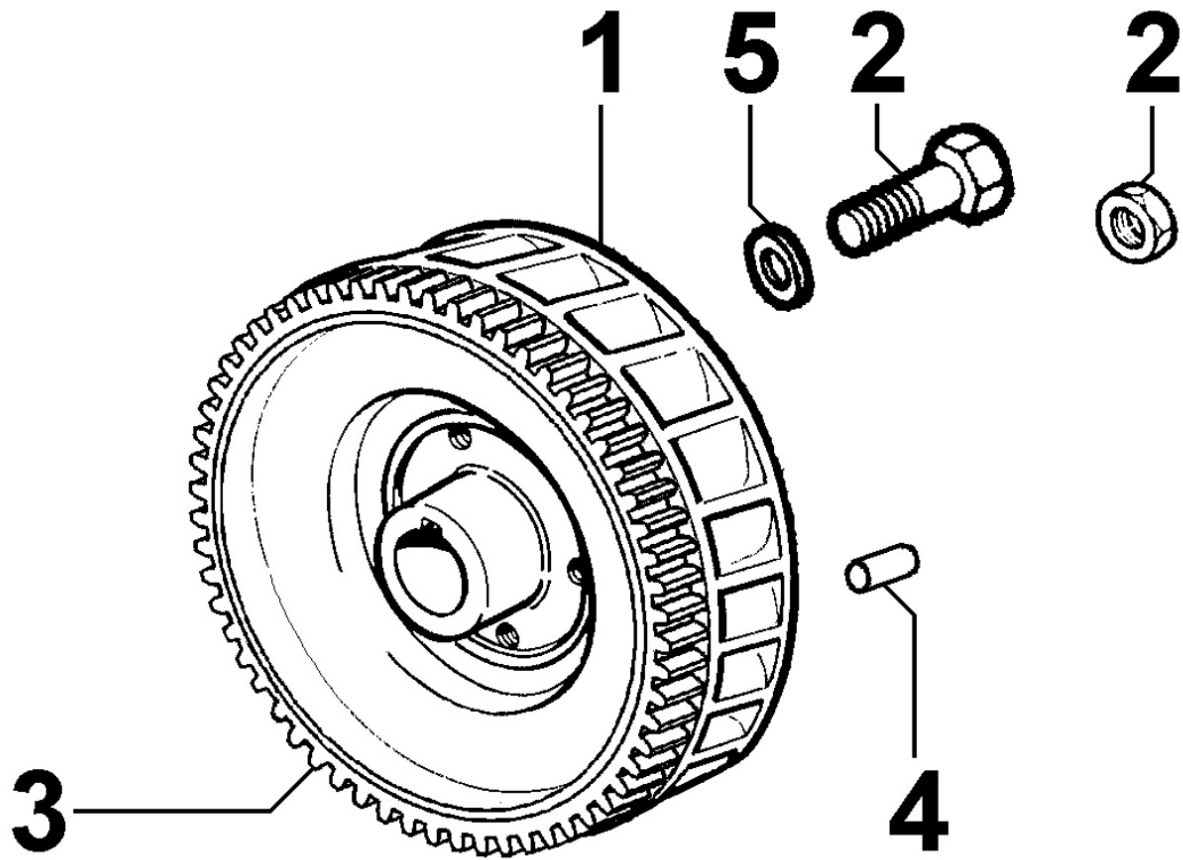
Pos	Kit	Included In	Code	Description	Qty	Old Code	Tech. Info
1	(A)		ED00A21R0260-S	CRANKSHAFT	1		
2		(A)	ED00498R0350-S	KEY	2		
4		(A) (B)	ED0089900520-S	PLUG AVSEAL D7 02961-00708	4		

8011250010 - PISTON / CONNECTING ROD



Pos	Kit	Included In	Code	Description	Qty	Old Code	Tech. Info
1		(C)	ED00203R0980-S	CYLINDER	2		
1		(C)	ED00203R0980-S	CYLINDER	1	ED00204R0290-S	
2		(A)	ED00A21R0320-S	PISTON RINGS	2		
3		(A) (C)	ED00854R0180-S	PIN	2		
4		(A) (C)	KDISC.		2	ED00059R0860-S	
5			ED00A26R0370-S	SLIDING BEARING STD	4		
5			ED00A26R0400-S	SLIDING BEARING -0,25	1		
5			ED00A26R0410-S	SLIDING BEARING -0,50	1		
6	(B)		ED00100R0410-S	CONNECTING ROD	2		
7			ED00451R0730-S	GASKET	2		
7			ED00451R0740-S	GASKET	2		
8		(B)	ED0017701010-S	CONROD SCREW FL 8X1X42 R12	2		
9	(A)	(C)	ED00A21R0280-S	PISTON	2		
10	(C)		ED00A23R0420-S	CYLINDER PISTON KIT	2		

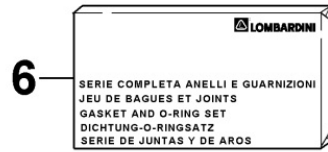
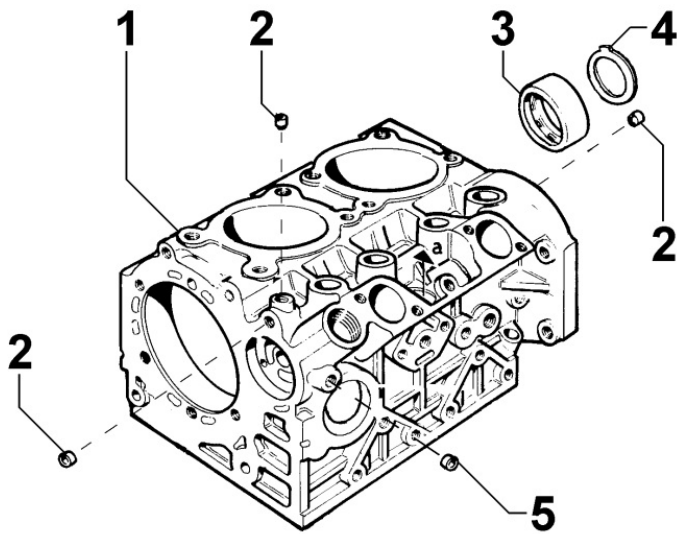
8012250410 - FLYWHEEL



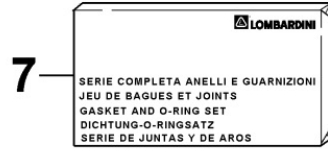
Pos	Kit	Included In	Code	Description	Qty	Old Code	Tech. Info
1	(A)		ED0098814750-S	FLYWHEEL	1		
2			ED00325R0840-S	NUT	1		
3		(A)	ED00256R0140-S	STARTING GEAR	1		



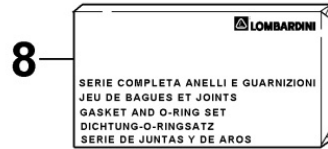
**8020250010 - CRANKCASE**



25LD330-2  
MD150  
MD151



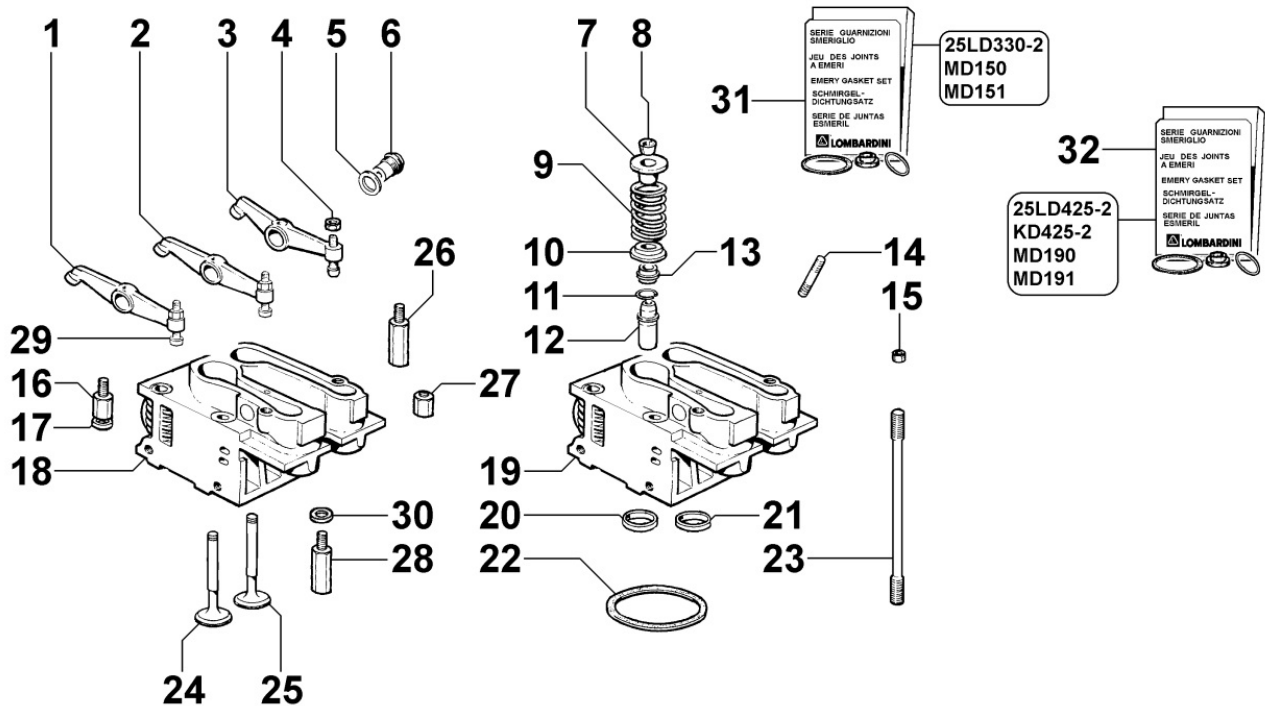
25LD425-2  
KD425-2  
MD190  
MD191







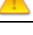



25LD425-2 EPA  
KD425-2 EPA  
MD190 EPA  
MD191 EPA

Pos	Kit	Included In	Code	Description	Qty	Old Code	Tech. Info
1	(A)		ED00A21R0700-S	CRANKCASE	1		
2		(A)	ED0089900420-S	TAPPO/PLUG N 10	4		
3			ED00310R0800-S	SLIDING BEARING	1		
3			ED00310R0810-S	SLIDING BEARING	1		
3		(A)	ED00310R0770-S	SLIDING BEARING	1		
5		(A)	ED0097651110-S	TAPER PLUG 'D C10	1		
6			ED00A21R0420-S	GASKET SET	1		⚠
7			ED00A22R0910-S	GASKET SET	1		⚠
8			ED00A26R0670-S	GASKET SET EPA	1		⚠

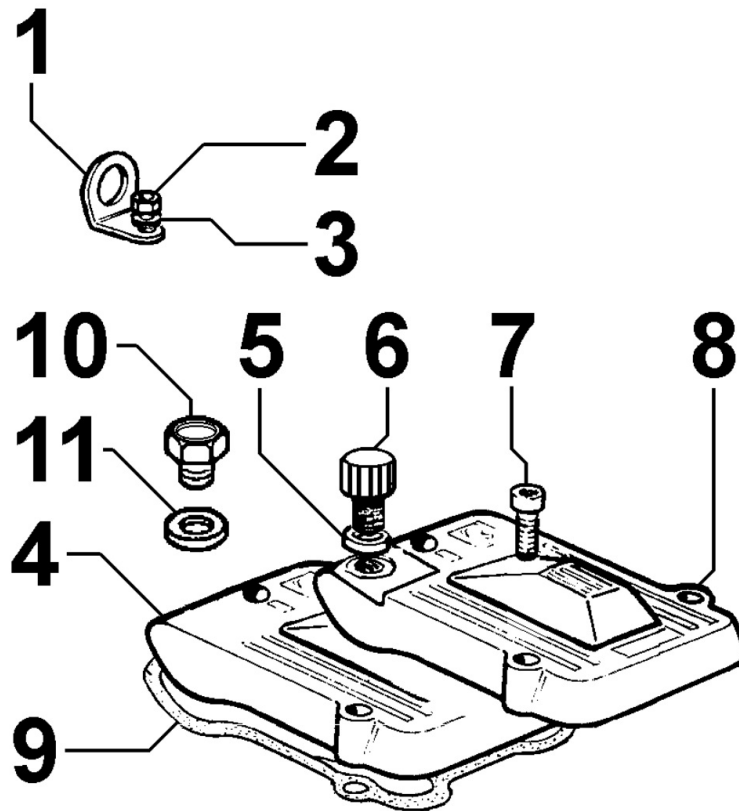
8021250090 - CYLINDER HEAD



Pos	Kit	Included In	Code	Description	Qty	Old Code	Tech. Info
2	D	(B)	ED0015413180-S	INTAKE ROCKER ARM	2		▲
3	D	(B)	ED0015413190-S	EXHAUST ROCKER ARM	2		▲
4		(A) (B) (D)	ED0032402110-S	NUT M.6X1 UNI5587 CLASS 10	4		▲
5		(B)	ED0046700880-S	CUPPER WASHER 18X24X1	4		
6		(B)	ED00602R0030-S	PIN	4		
7		(B)	ED0064001010-S	RETAINER	4		
8		(B)	ED00809R0040-S	LOCK	8		
9		(B)	ED00540R0770-S	SPRING	4		
10		(B)	ED0064000980-S	RETAINER	4		
11		(C)	ED00059R0680-S	RING	4		
12	C	(E)	ED00464R0770-S	VALVE GUIDE	4	ED00464R0560-S	
13		(A) (B) (E)	ED0045350150-S	VALVE STEM SEAL	4		
14		(B)	ED00676R0880-S	STUD	2		
15			ED00326R0380-S	DADO/NUT 10	4		
16			ED00326R0410-S	NUT	2		
16			ED0025011360-S	COLONNA/HOLLOWSTUD N	2		
17			ED00772R0020-S	WASHER	8		
19	B		ED00A21R0390-S	CYLINDER HEAD ASSY	2		
20		(A) (B) (E)	ED00059R0870-S	VALVE SEAT	2		
21		(A) (B) (E)	ED00059R0880-S	VALVE SEAT (INTAKE)	2		
22			ED0047307790-S	GASKET	1		▲
22			ED0047307800-S	GASKET	1		▲
22			ED0047307810-S	GASKET	1		▲
22			ED0047307820-S	GASKET	1		▲
22			ED0047307830-S	GASKET, HEAD	1		▲
22			ED0047307840-S	HEAD GASKET MD150 SP.0,85	1		▲
22			ED0047307850-S	HEAD GASKET MD150 SP.0,90	1		▲

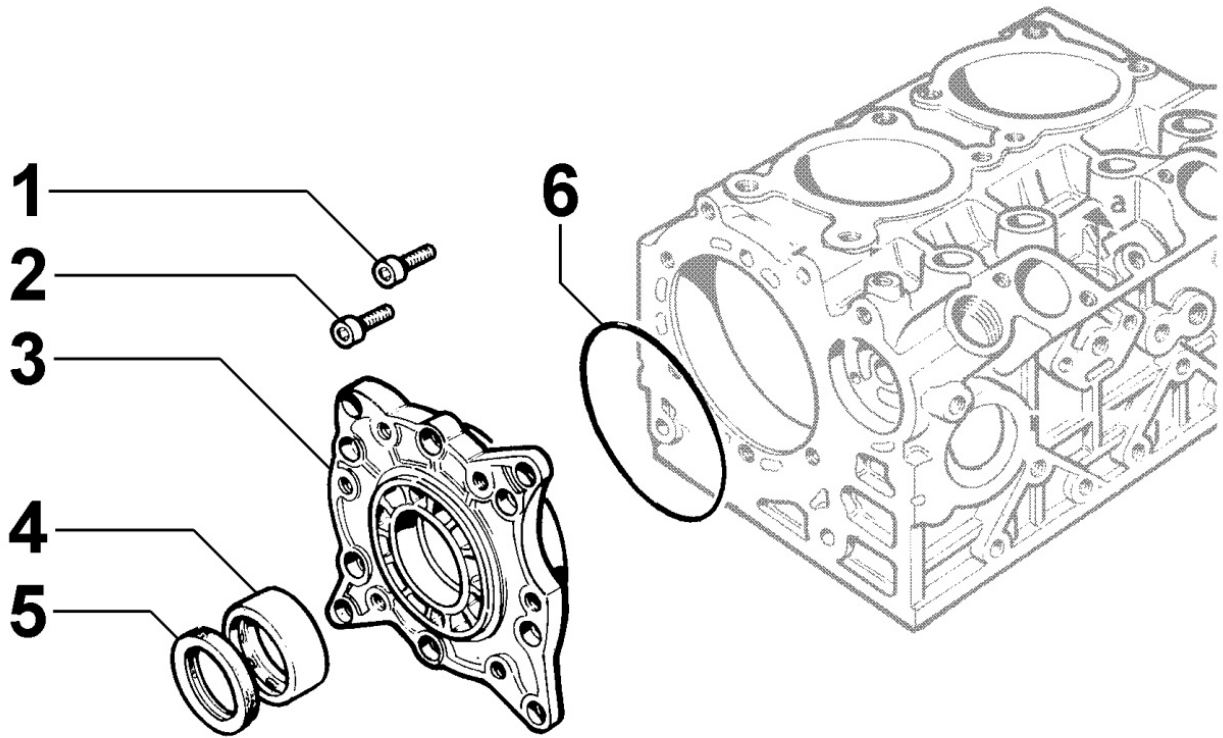
Pos	Kit	Included In	Code	Description	Qty	Old Code	Tech. Info
22			ED0047307850-S	HEAD GASKET MD150 SP.0,90	1		
22			ED0047307860-S	HEAD GASKET MD150 SP.0,95	1		
22			ED0047307870-S	CYL HEAD GASKET	1		
22			ED0047307880-S	GASKET	1		
22			ED0047307890-S	GASKET	1		
23			ED00684R0260-S	STUD BOLT	8		
24		(B)	ED00960R0540-S	VALVE	2		
25		(B)	ED00960R0530-S	VALVE	2		
26			ED00326R0530-S	NUT	2		
29		(A) (B) (D)	ED0098501590-S	ADJUSTING SCREW M6	4		
30			ED0076253160-S	WASHER	1		
31			ED00A21R0410-S	GASKET	1		
32			ED00A22R0920-S	GASKET SET	1		

## 8022250310 - HEAD COVER



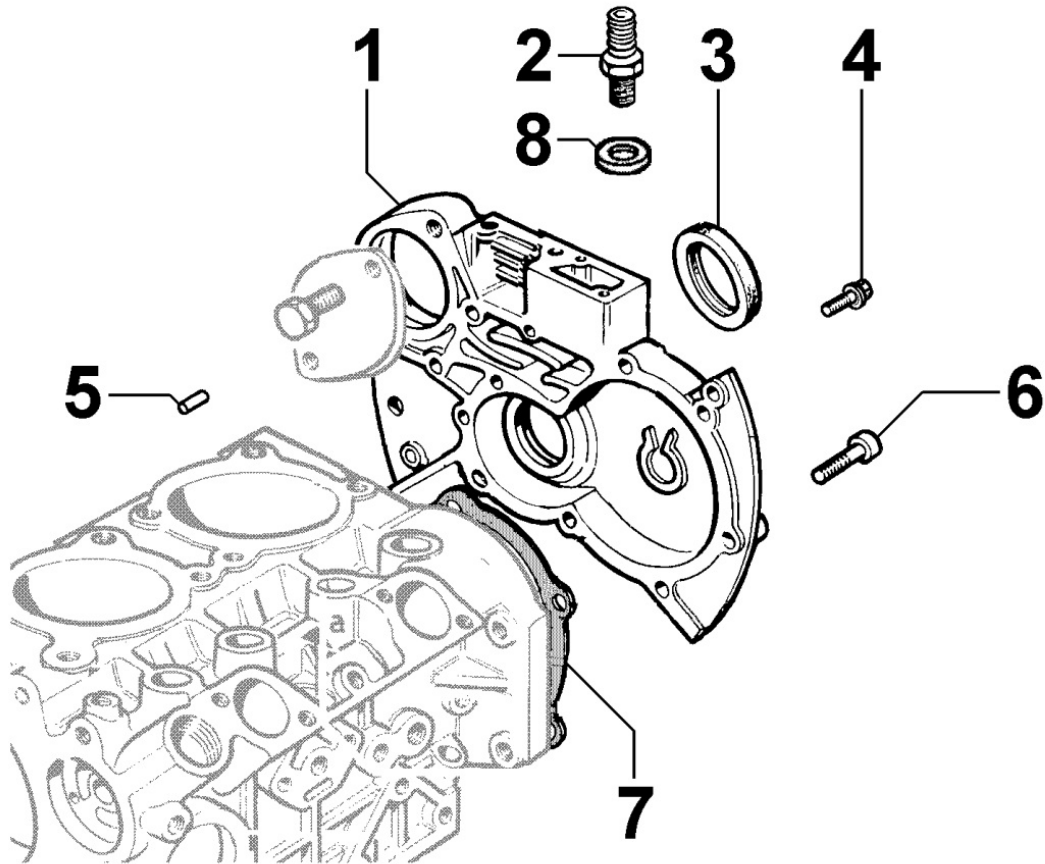
Pos	Kit	Included In	Code	Description	Qty	Old Code	Tech. Info
1			ED0085060030-S	LIFTING HOOK	1		
2			ED0032400160-S	HEX.NUT	1		
3			ED0076250120-S	PLAIN WASHERS 8,4X17X1,6	1		
4			ED0021258870-S	COP. BIL. STAGE V 25LD	1		
5			ED0012000820-S	O-RING D31.89/26.50 2.62 THK	2		
6			ED0090320930-S	Oil filling cap M30x2	1		
7			ED0017601310-S	SCREW	6		
8			ED0021258860-S	ROCK.ARM COV.OIL FILL.STA.V 25LD	1		
9			ED0044001410-S	GASKET ROCKER ARM COVER	2		
10			ED0073304690-S	CONN. ROCK. ARM COV. STAGE V	1		

8023250010 - FLYWHEEL SIDE SUPPORT



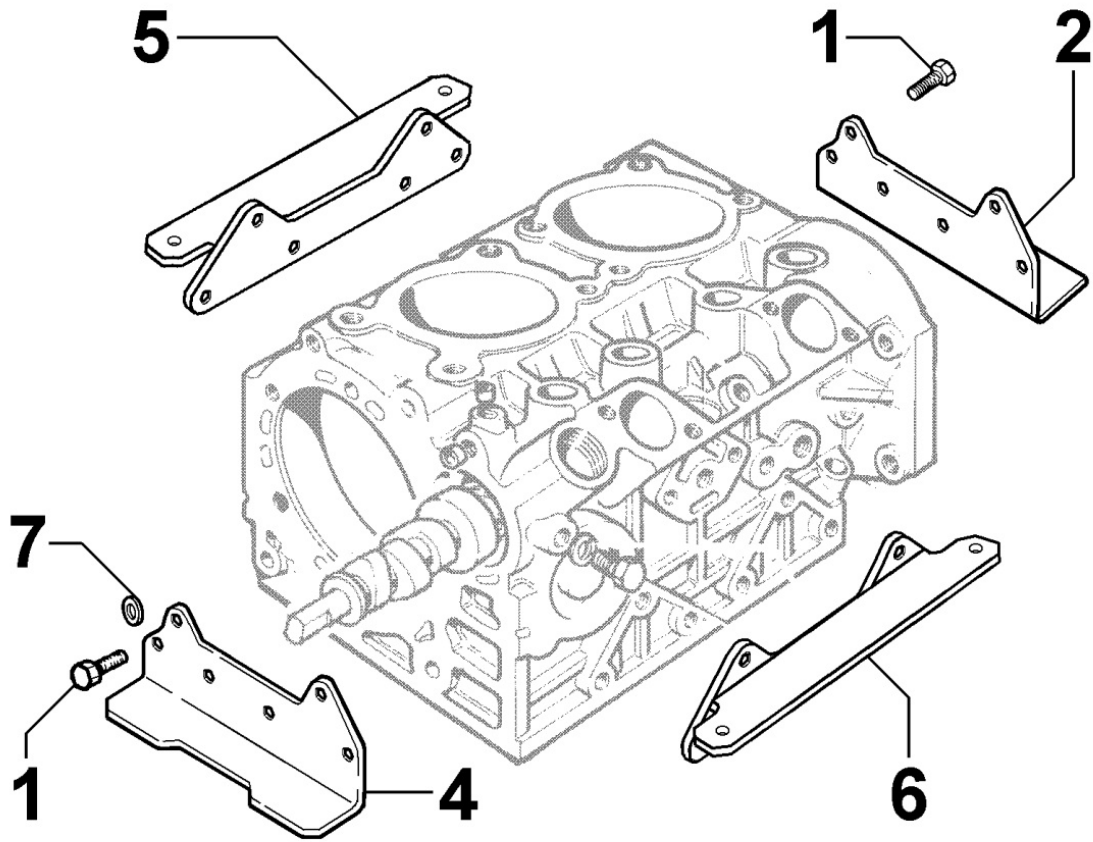
Pos	Kit	Included In	Code	Description	Qty	Old Code	Tech. Info
1			ED0097320920-S	SCREW	2		
2			ED0097301180-S	*SCREW M8x22 UNI5931-8.8+Z	8		
3	(A)		ED0086753000-S	SUPPORT	1		
4			ED00310R0800-S	SLIDING BEARING	1		
4			ED00310R0810-S	SLIDING BEARING	1		
4		(A)	ED00310R0770-S	SLIDING BEARING	1		
5		(A)	ED00054R0170-S	SEALING OIL RING 45X60X7	1		
6			ED00579R0780-S	O-RING	1		

## 8024250010 - TIMING GEAR SIDE SUPPORT



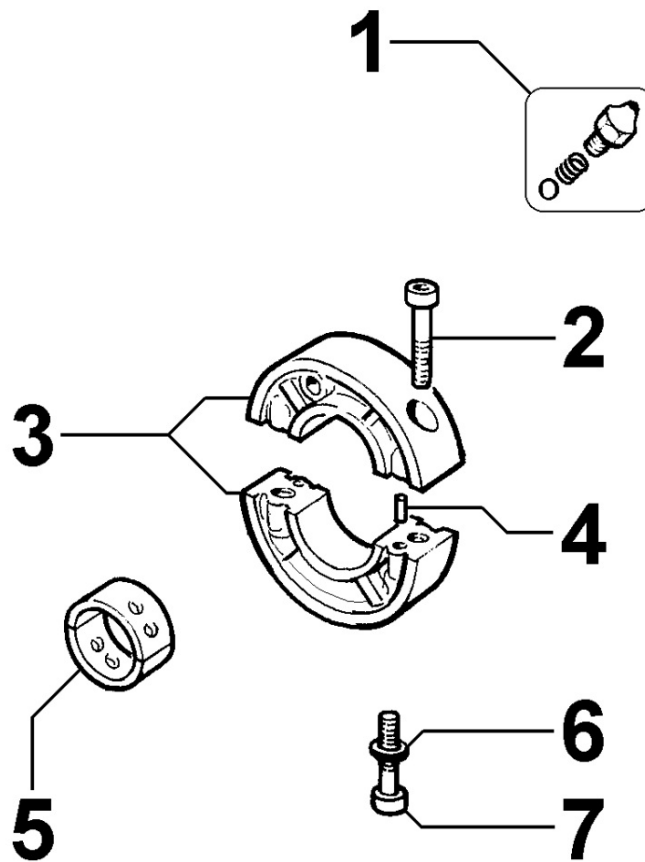
Pos	Kit	Included In	Code	Description	Qty	Old Code	Tech. Info
1	(A)		ED00241R0100-S	COVER FOR DISTRIBUTION MD/2 COMPLETE	1		
2		(A)	ED00717R0800-S	UNION	1		
3			ED00054R0310-S	ANELLO TEN.OLIO 38X52X8 1AZ	1		
4			ED0017601310-S	SCREW	1		
5			ED0084001200-S	PARAL.PIN	1		
6			ED0097320640-S	SOC HEAD SCREW M8x30-5931.8G+Zn.B	10		
7			ED0044312240-S	GASKET	1		

8025250020 - ENGINE MOUNTS



Pos	Kit	Included In	Code	Description	Qty	Old Code	Tech. Info
1			ED0017700040-S	VITE TE.8X20-5739-8G+ZN.B	12		
2			ED00626R0030-S	FOOT	2		

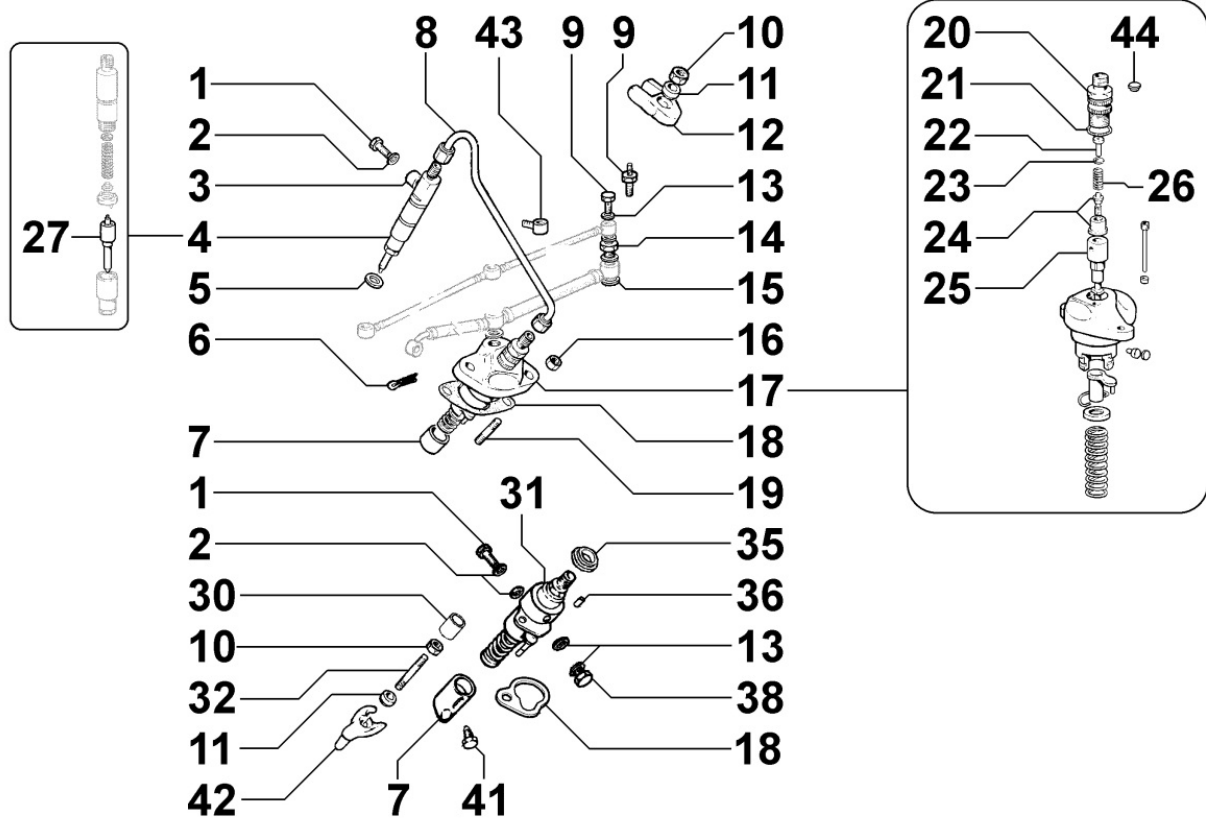
**8026250010 - CRANKSHAFT CENTRAL SUPPORT**



Pos	Kit	Included In	Code	Description	Qty	Old Code	Tech. Info
2			ED0097300310-S	SOC HEAD CAP SCR M8X40L 1	2		
3			ED00880R0260-S	SUPPORT	1		
4			ED0084000200-S	SPINA CIL.D.6X12 UNI 1707	2		
5			ED00A26R0490-S	SLIDING BEARING	2	ED00310R0310-S	
5			ED00A26R0500-S	SLIDING BEARING	1	ED00310R0430-S	
5			ED00A26R0510-S	SLIDING BEARING	1	ED00310R0440-S	
6			ED0076250100-S	WASHER D.8X15X1,5	2		
7			ED0097300320-S	SOC HEAD CAP SCR M8X45L 8.8	2		

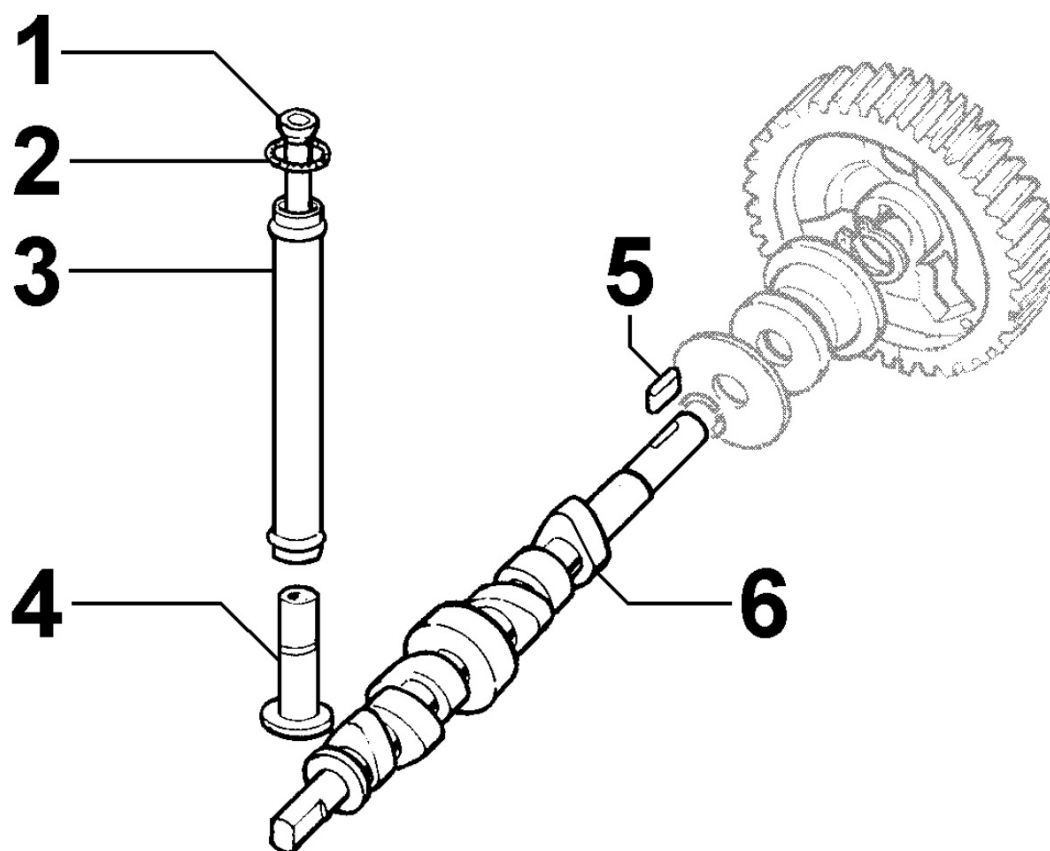


**8030250010 - INJECTION SYSTEM**



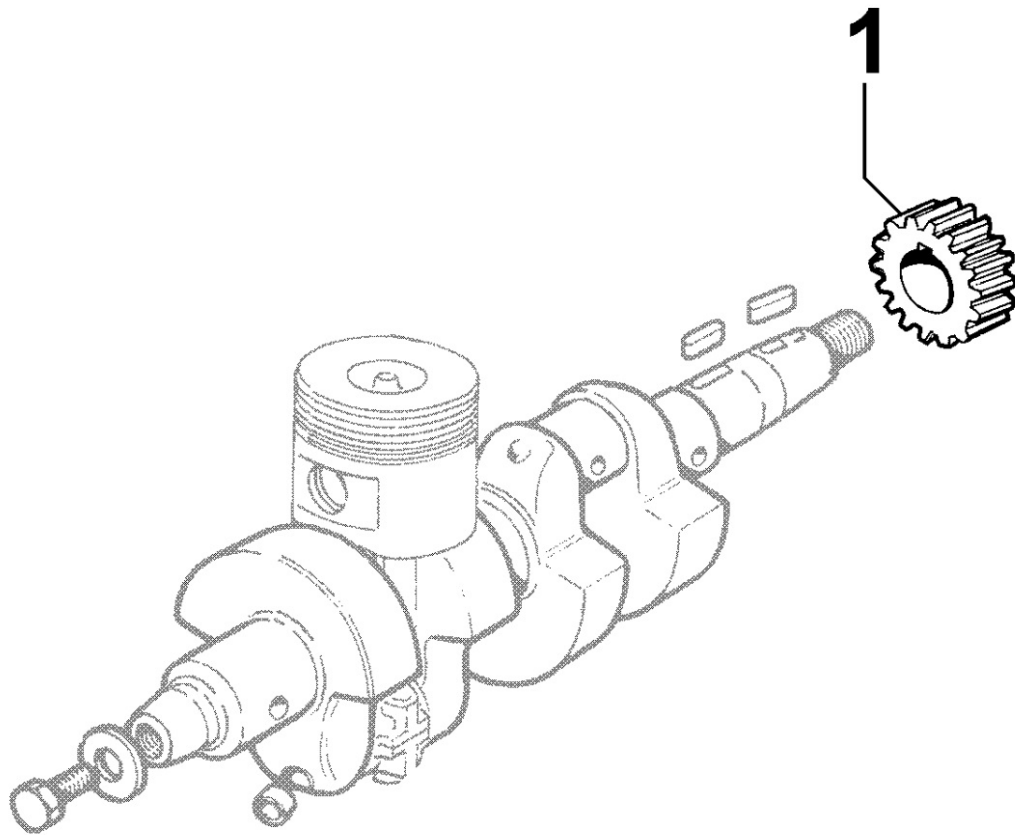
Pos	Kit	Included In	Code	Description	Qty	Old Code	Tech. Info
1			ED0072600530-S	SCREW NIPPLE	2		
2			ED0046700620-S	COPPER WASHER D10/6.2 1.5 THK	2		
3			ED00754R0500-S	WASHER	2		
4	(A)		ED00644R0470-S	SPRAYER COMPLETE NEW-DIESEL	2		
5			ED00754R0510-S	WASHER	4		
5			ED00754R0350-S	WASHER	2		
6			ED00555R0370-S	SPRING	3		
7			ED0072150350-S	TAPPET	2		
8			ED00944R0670-S	PIPE	2		
9			ED00716R0170-S	UNION	2		⚠
10			ED0032400160-S	HEX.NUT	2		
11			ED00771R0970-S	WASHER	2		
12			ED00858R0940-S	BRACKET	2		
13			ED0046700580-S	COPPER WASHER 8,2X12X1,5	6		
14			ED0019010120-S	BOLT	2	ED0019010130-S	
14			ED0019010120-S	BOLT	2	ED0082550110-S	
15			ED0046700600-S	COPPER WASHER	4		
16			ED0032401640-S	NUT	4		
17	(B)		ED00656R0600-S	INJE.PUMP	2		
18			ED0045800230-S	GASKET 0.30	2		
18			ED0045800290-S	GASKET 0.10	6		
18			ED0045800570-S	GASKET 0.05	2		
19			ED0067800680-S	STUD	4		
25		(B)	ED00660R0240-S	POMPANTE/PUMPING ELEMENT	2		
27		(A)	ED00644R0680-S	NOZZLE	1	ED00644R0530-S	

## 8035250010 - CAMSHAFT



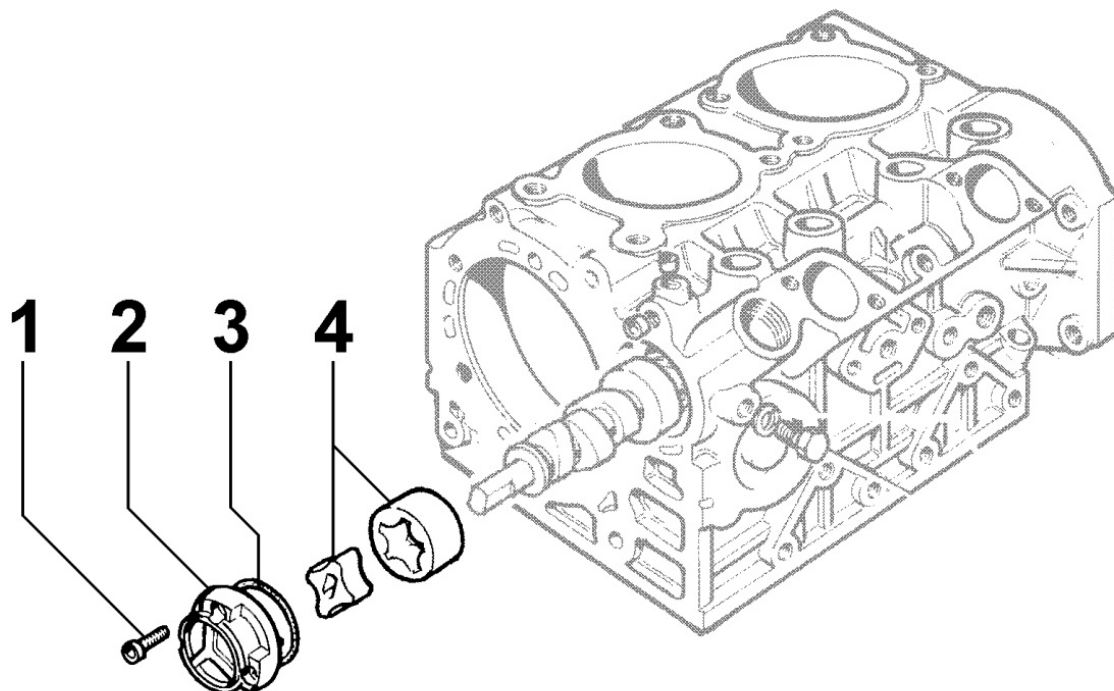
Pos	Kit	Included In	Code	Description	Qty	Old Code	Tech. Info
1			ED00072R0030-S	PUSH ROD	4		
2			ED0012000060-S	O RING	8		
3			ED00940R0280-S	PIPE	4		
4			ED00708R0190-S	TAPPET	4		
5			ED00498R0360-S	KEY	1		
6			ED00A21R0370-S	CAMSHAFT =>	1		

## 8038250010 - TIMING SYSTEM



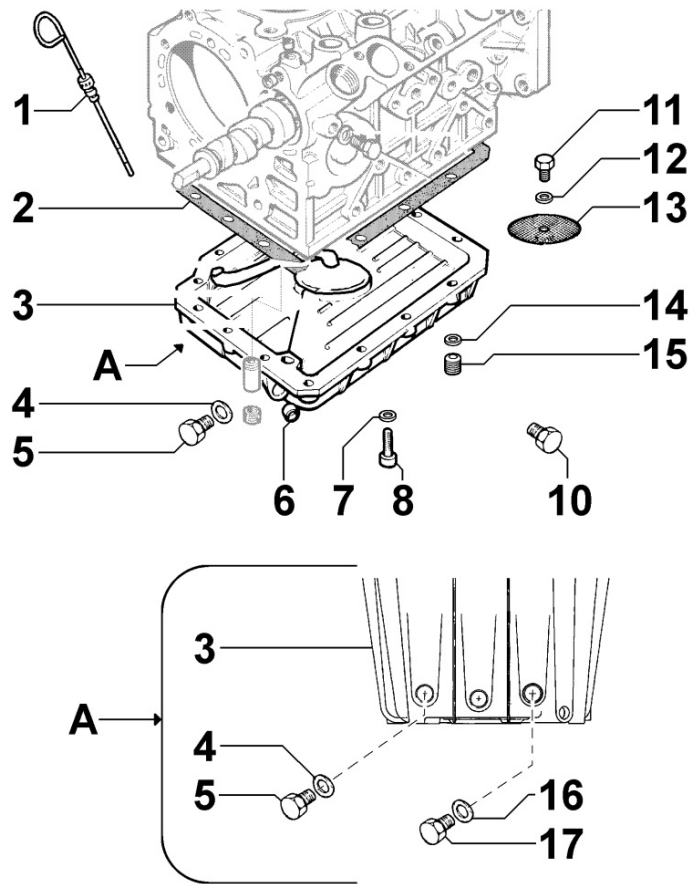
Pos	Kit	Included In	Code	Description	Qty	Old Code	Tech. Info
1			ED00469R0640-S	GEAR	1		

## 8040250010 - OIL PUMP



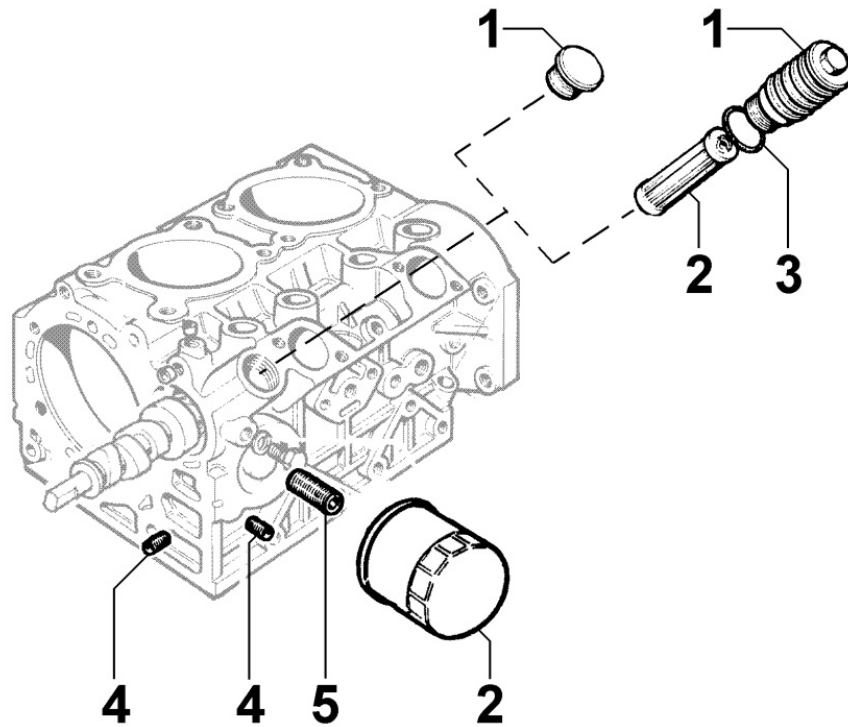
Pos	Kit	Included In	Code	Description	Qty	Old Code	Tech. Info
1			ED0097304380-S	SCREW TCEI M5x28 UNI5931-8G	3		
2			ED00233R0860-S	COVER	1		
3			ED00579R0490-S	RING	1		
4			ED00A21R0430-S	OIL PUMP	1		

8041250040 - OIL PAN



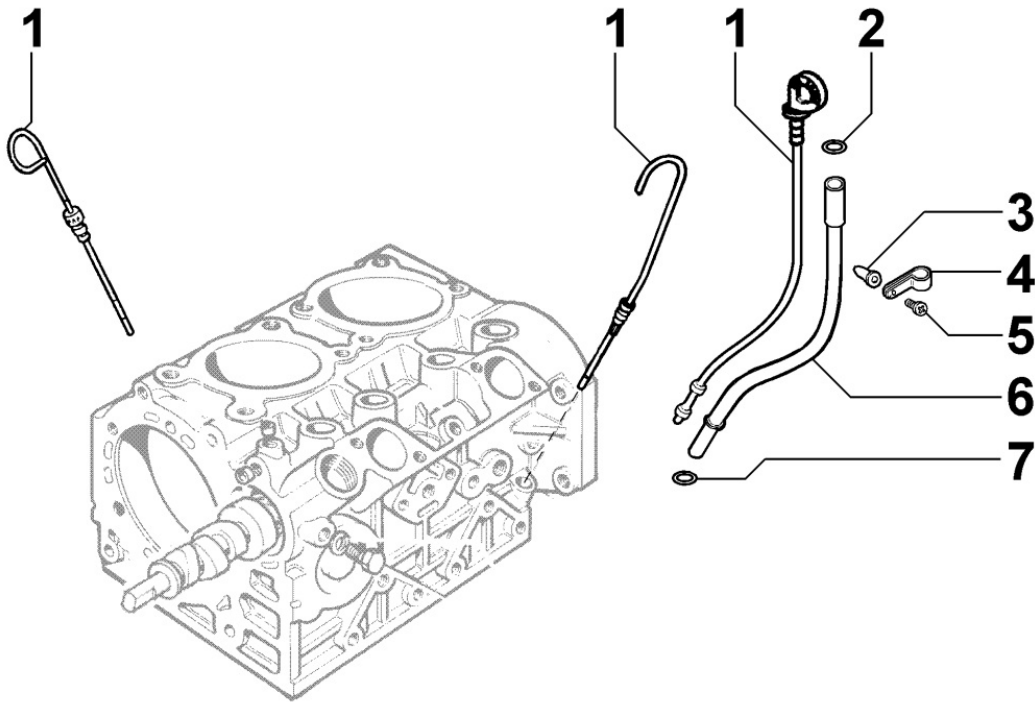
Pos	Kit	Included In	Code	Description	Qty	Old Code	Tech. Info
2			ED0046012210-S	GASKET	1		
3	(A)		ED0066456960-S	OIL SUMP	1	ED00248R0760-S	
4		(A)	ED0046700610-S	COPPER WASHER D19/14.2 1.5 THK	2		
5		(A)	ED0089650050-S	CAP	1		
6		(A)	ED00886R0570-S	PLUG	1		
8			ED0017601380-S	BOLT	15		
10		(A)	ED0090400120-S	OIL DRAIN PLUG M14	1		
11		(A)	ED0017600010-S	HEX BOLT M6X10L 8.8	1		
12		(A)	ED0076250080-S	PLAIN WASHERS 6,4X12,5X1,6	1		
13		(A)	ED00734R0720-S	NET	1		

8042250010 - OIL FILTER



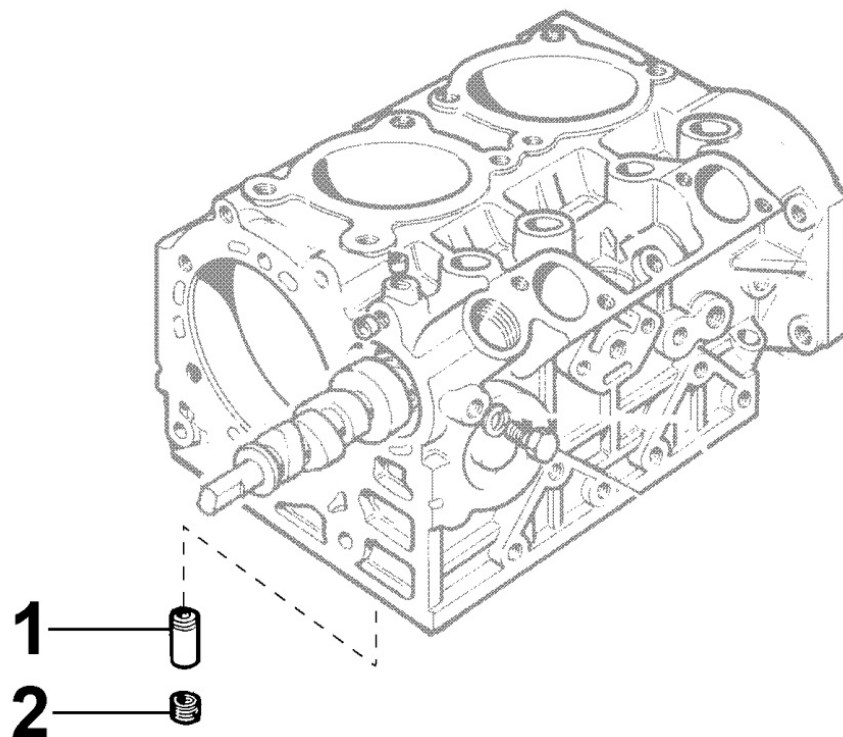
Pos	Kit	Included In	Code	Description	Qty	Old Code	Tech. Info
1			ED00894R0550-S	TAPPO/PLUG	1		
2			ED0021751950-S	OIL FILTER CARTRIDGE	1	ED00175R0050-S	
3			ED00579R0690-S	SEAL RING	1		

8043250010 - OIL DIPSTICK



Pos	Kit	Included In	Code	Description	Qty	Old Code	Tech. Info
1			ED00076R0480-S	OIL DIPSTICK	1		

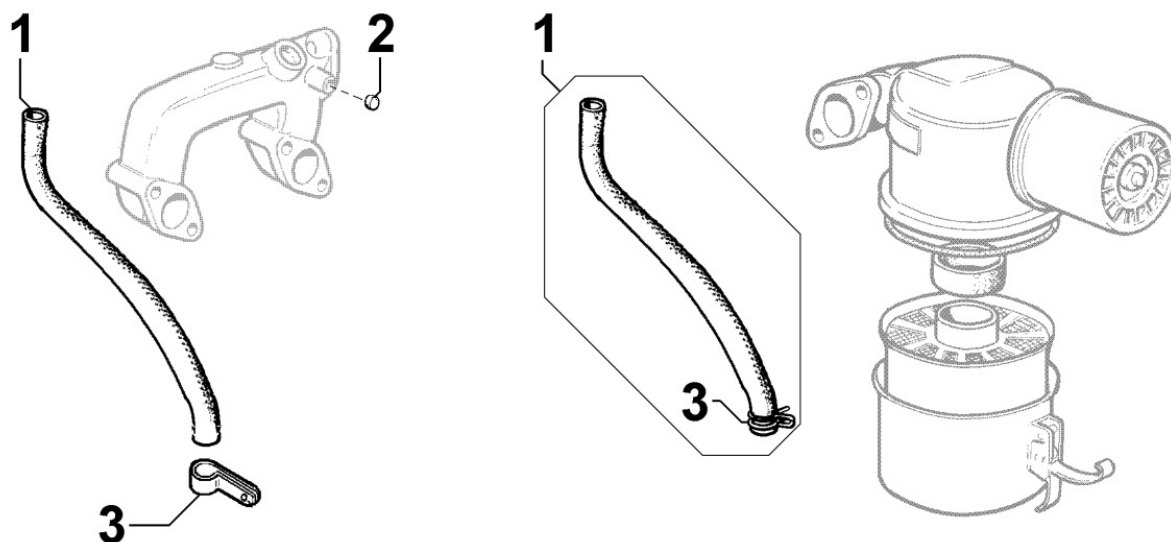
## 8044250010 - OIL PRESSURE VALVE



Pos	Kit	Included In	Code	Description	Qty	Old Code	Tech. Info
1			ED00956R0450-S	VALVE	1		
2			ED00999R0200-S	SCREW	1		

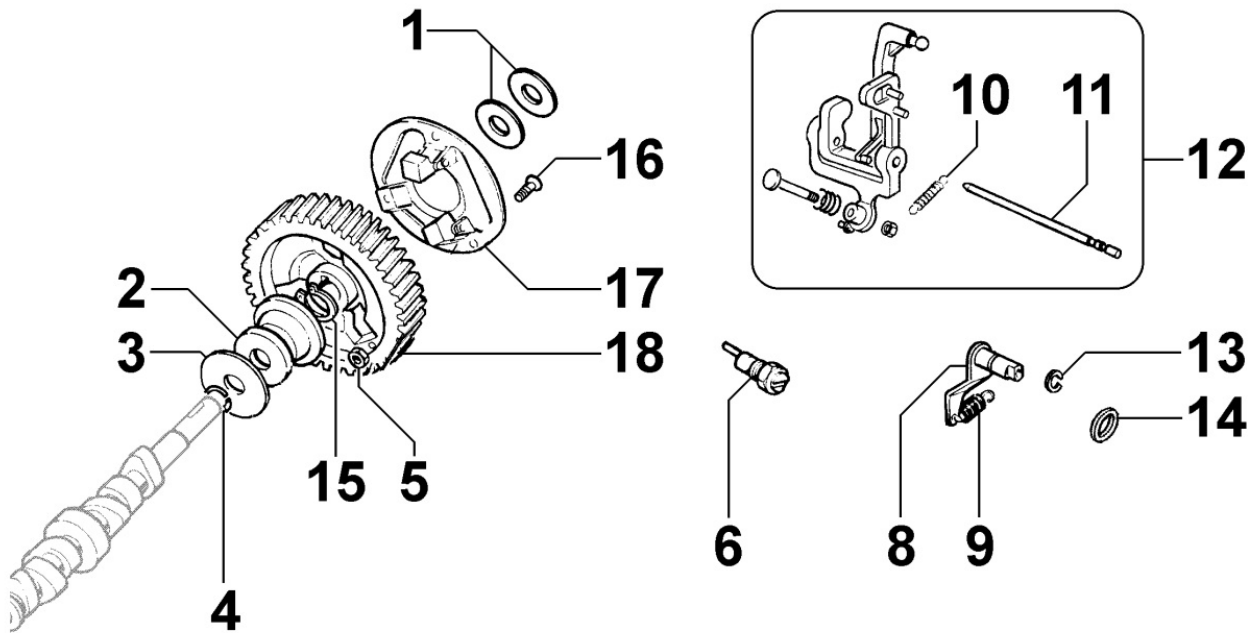


## 8045250020 - BREATHER SYSTEM



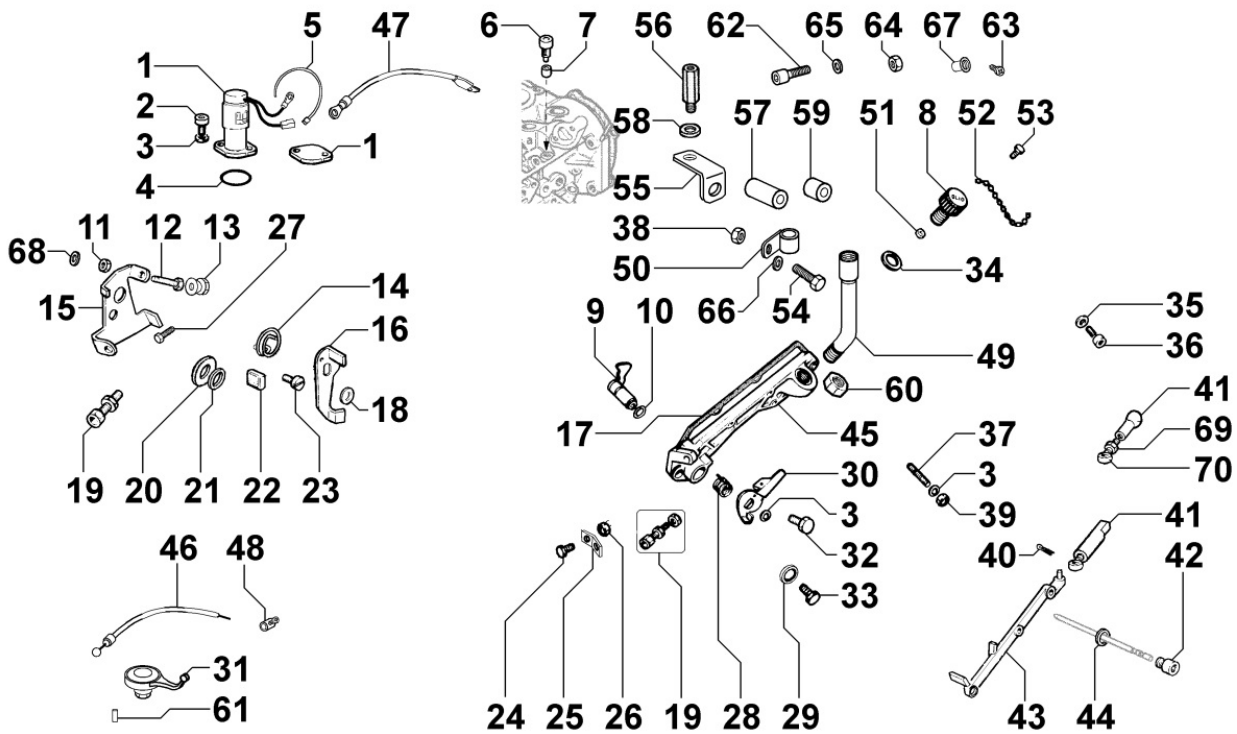
Pos	Kit	Included In	Code	Description	Qty	Old Code	Tech. Info
1	(A)		ED00949R0510-S	PIPE	1		
3		(A)	ED0036301780-S	CLAMP	1		


**8050250030 - SPEED GOVERNOR**



Pos	Kit	Included In	Code	Description	Qty	Old Code	Tech. Info
1			ED00777R0330-S	WASHER	1		
1			ED00777R0340-S	WASHER	1		
2			ED00621R0220-S	CAP	1		
3			ED00777R0780-S	WASHER	1		
4			ED00059R0850-S	RING	1		
5			ED0032030380-S	HEX.NUT	3		
6			ED00722R0410-S	REGISTRO/ADJUSTING SCREW	1		
8			ED00491R0660-S	LEVER EPA	1		
9			ED00551R0290-S	SPRING	1		
10		(A)	ED00551R0140-S	SPRING	1		
11		(A)	ED00601R0770-S	PIN	1		
12	(A)		ED00495R0150-S	LEVER	1		
13			ED0011650360-S	RING	1		
15			ED0012400130-S	SNAP RING	1		
16			ED00997R0880-S	SCREW SPEI M5x16 UNI5933 10.9	3		
17			ED0048966740-S	REGULATOR GROUP RUGGERINI	1		

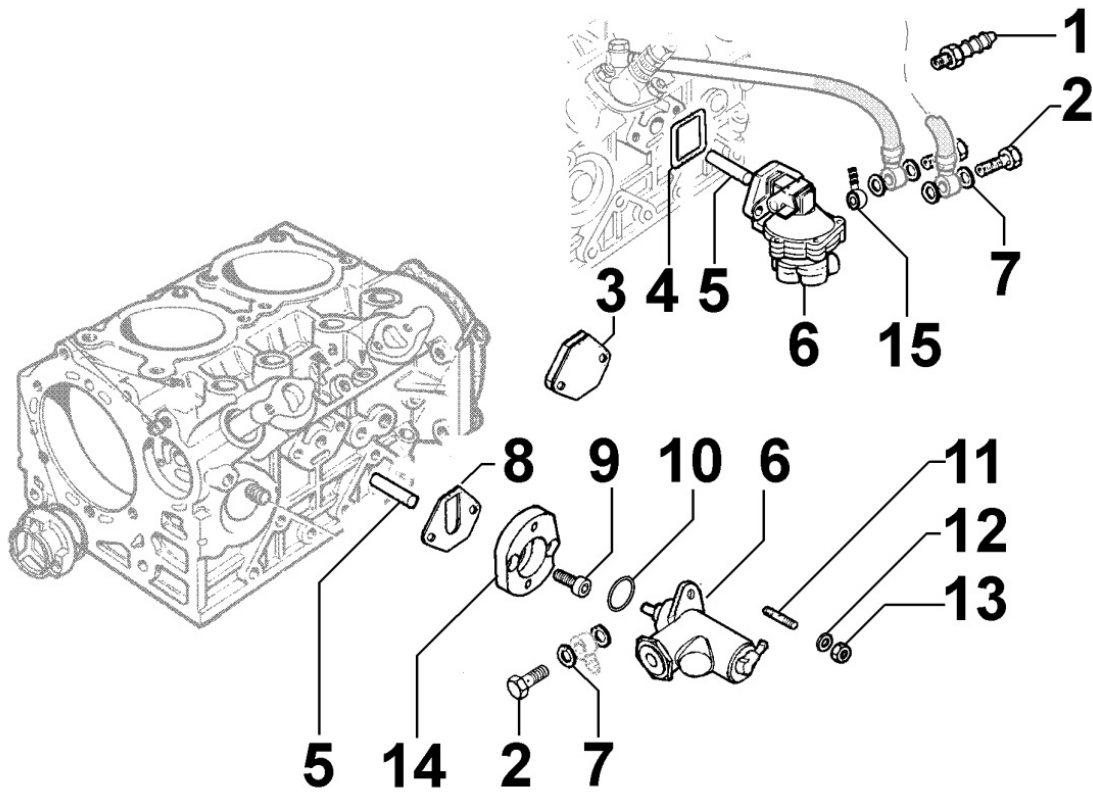
8051250040 - CONTROLS



Pos	Kit	Included In	Code	Description	Qty	Old Code	Tech. Info
0			ED0024710060-S	NYLON COLLAR	1		
1			ED00674R0470-S	ELECTROMAGNET	1		
2			ED0097320840-S	SOC HEAD SCR M6X12L UNI5931 ST	2		
3		(C)	ED0076250080-S	PLAIN WASHERS 6,4X12,5X1,6	6		
4			ED00579R0790-S	RING	1		
5			ED0024710190-S	NYLON COLLAR PLT2I-MO 3,6x203	2		
8			ED0090320950-S	FILLERPL.	1		
9	(B)	(C)	ED00494R0880-S	LEVER	1		
10		(B) (C)	ED0012000010-S	ANEL. OR 108-GOM. NITRIL D2000	1	ED00579R0010-S	
11		(A)	ED0032400040-S	NUT M5 UNI 5588 6s PG Zinc Pla	2		
12		(A)	KDISC.		1	ED0017550190-S	
14			ED00547R0230-S	SPRING	1		
15	(A)		ED00613R0910-S	PIASTRINA/PLATE	1		
16			ED0052012700-S	LEVER	1		
17			ED0044312250-S	GASKET	1		
19			ED0091801930-S	END	1		
23			ED0017700010-S	SCREW M.8X12-5739-8G+ZN.B	1		
27		(A)	ED0017550030-S	HEXAGON BOLT M5X16	1		
28		(C)	ED00547R0280-S	SPRING	1		
30		(C)	ED00491R0670-S	LEVER	1		
32		(C)	ED0017600010-S	HEX BOLT M6X10L 8.8	1		
33			ED0017600030-S	SCREW 6X12-5739-8G+ZN.B	1		
34		(C)	ED00758R0390-S	WASHER	1		
35			ED0046700580-S	COPPER WASHER 8,2X12X1,5	2		
36			ED0097320780-S	SOC HEAD CAP SCR M6X25 8.8	5		
37			ED0067600340-S	STUD	1		
39			ED00323R0070-S	NUT	1		
40			ED00555R0370-S	SPRING	1		
41			ED00833R0100-S	TIE ROD	1		
42			ED00989R0620-S	SCREW	1		
43			ED00927R0140-S	TIE ROD	1		
44			ED0046700590-S	COPPER WASHER D14/10.2 1.	1		

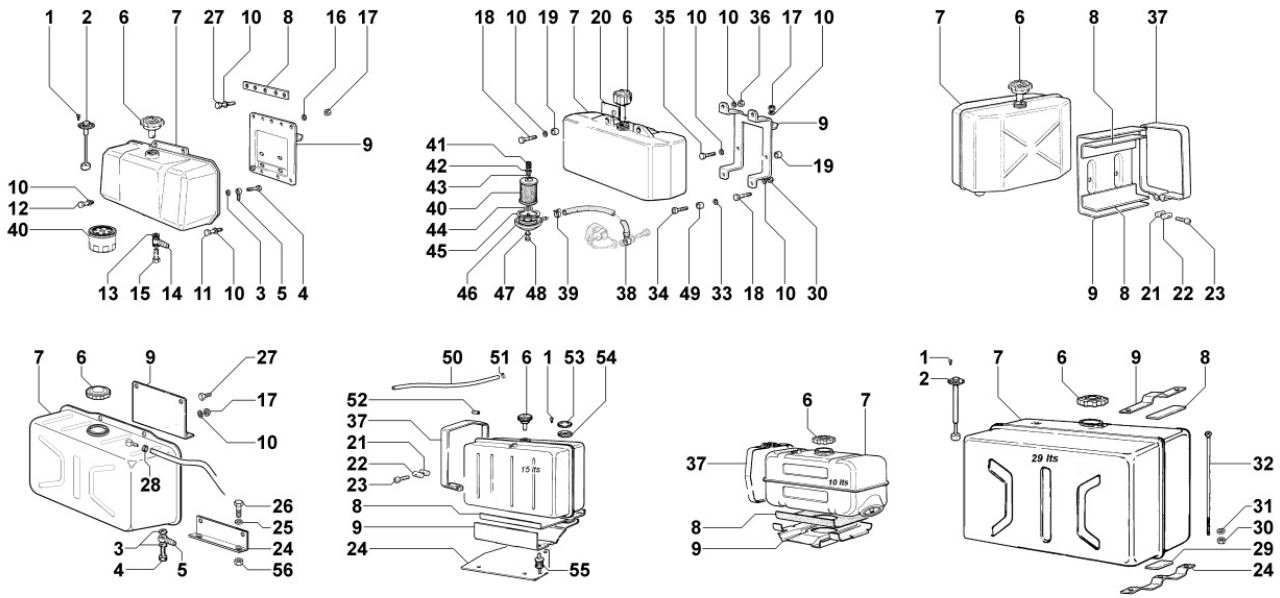
Pos	Kit	Included In	Code	Description	Qty	Old Code	Tech. Info
44			ED0046700590-S	COPPER WASHER D14/10.2 1.	1		
45	(C)		ED0027505040-S	COVER	1		
45		(C)	ED0027505030-S	COVER	1		
66			ED0076260510-S	PLAIN WASHERS 6X20X2	1		

**8062250180 - FUEL FEED PUMP**



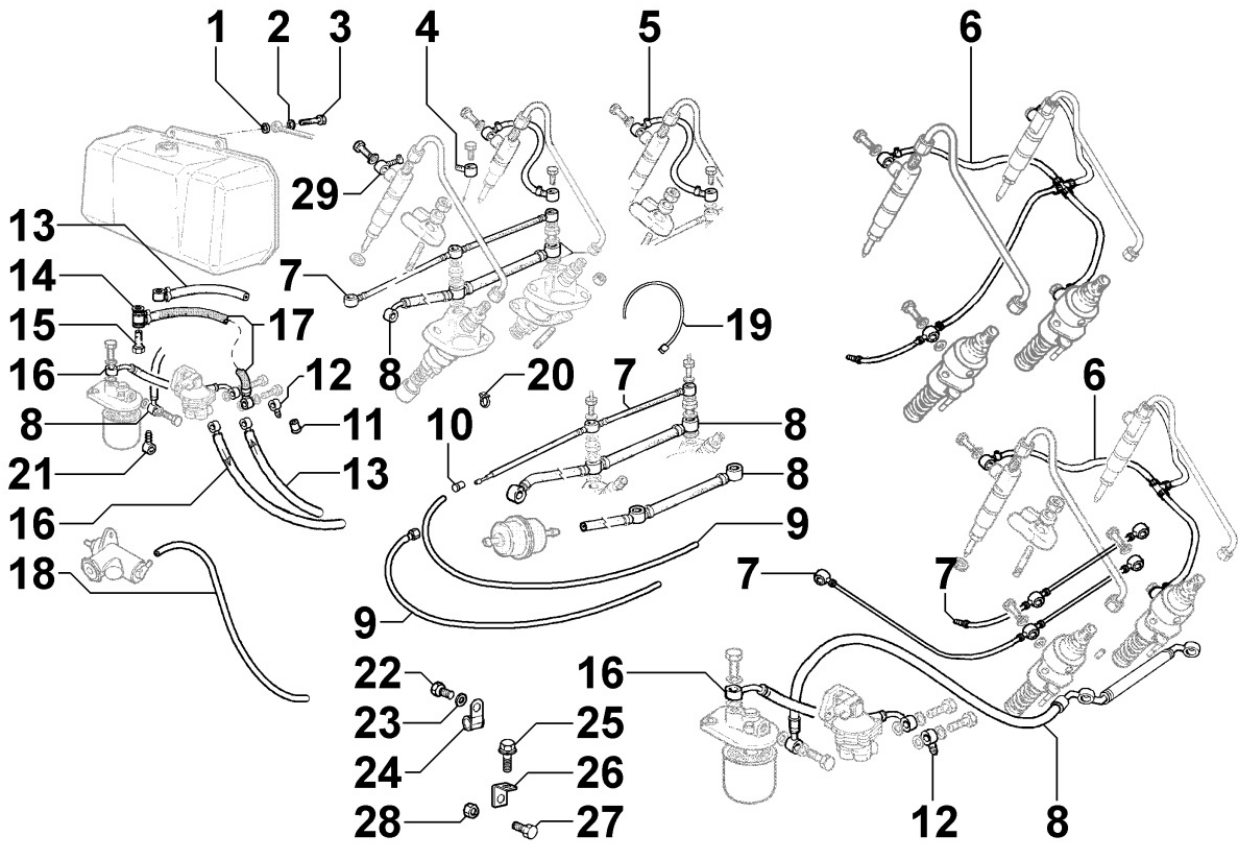
Pos	Kit	Included In	Code	Description	Qty	Old Code	Tech. Info
2			ED0019011930-S	UNION BOLT M 10	2		
4			ED0012000870-S	O-RING	1		
5			ED00704R0130-S	DRIVE ROD	1		
6			ED0065851510-S	FUEL FEED PUMP	1		
7			ED0046700590-S	COPPER WASHER D14/10.2 1.	4		
11			ED0067800490-S	*STUD M8X20	2		
12			ED0075550290-S	BEL WASHER D15/8.4 0.8 T	2		
13			ED0032401640-S	NUT	2		

8063250350 - FUEL TANK



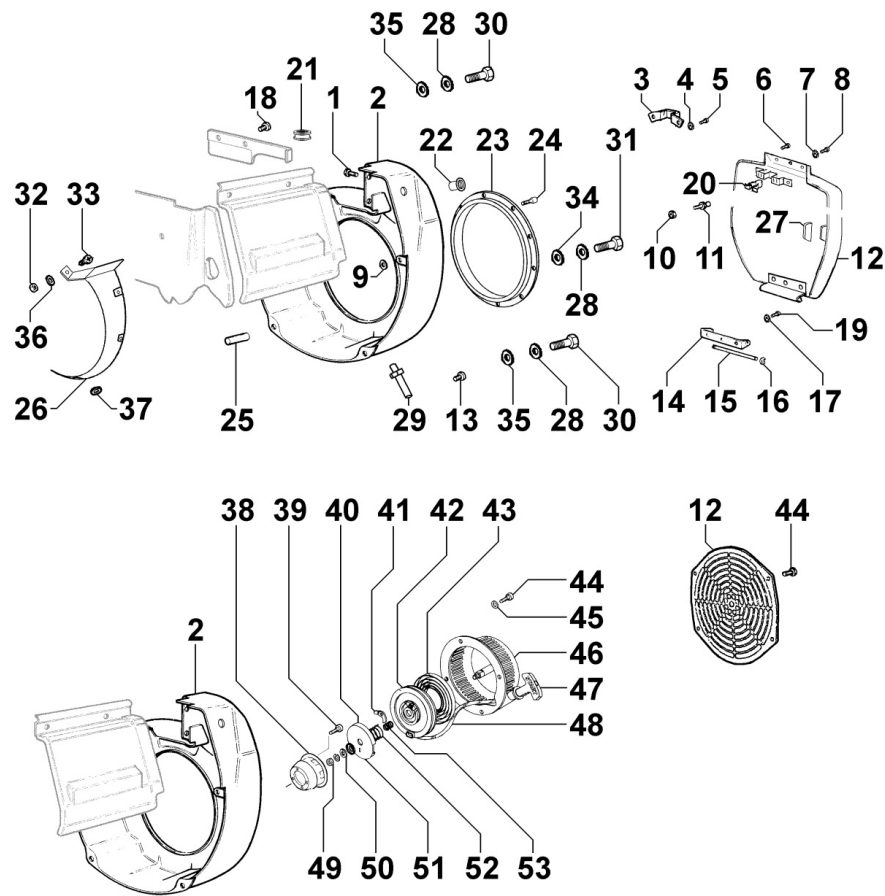
Pos	Kit	Included In	Code	Description	Qty	Old Code	Tech. Info
6			ED0090430980-S	TANK CAP	1		
7		(A)	ED0081011060-S	POLYETHYLENE TANK	1		
9			ED00879R0680-S	TANK SUPPORT	1		
10			ED0076250120-S	PLAIN WASHERS 8,4X17X1,6	12		
17			ED0032400160-S	HEX.NUT	2		
18			ED0017700060-S	SCREW 8x25-5739-8G+ZN.B	4		
19			ED00354R0800-S	DISTANZIALE/SPACER 10	4		
20			ED00582R0960-S	TARGHETTA ADESIVA/ADHESIV #10	1		
30			ED0032030750-S	LOCKNUT M.8 h.8,5	4		
35			ED0017700890-S	HEX BOLT 8x30-5739-8G+Zn Plating	2		
38		(B) (C)	ED0093750040-S	FUEL HOSE D.10 L=680	1	ED0093758570-S	
39		(B) (C)	ED0036300080-S	CLAMP	1		
40			ED00391R0450-S	FUEL FILTER-INTAKE	1	ED00391R0220-S	
40			ED0021752050-S	FUEL FILTER CARTRIDGE	1	ED00450R0970-S	
40		(C)	ED0021752050-S	FUEL FILTER CARTRIDGE	1	ED00175R0320-S	
46		(C)	ED00391R0450-S	FUEL FILTER-INTAKE	1		
47			ED00754R0320-S	RONDELLA/WASHER 10	1		
48				KDISC.	1	ED0017600610-S	
56			ED00354R0200-S	DISTANZIALE/SPACER	2		

8064250010 - FUEL LINES



Pos	Kit	Included In	Code	Description	Qty	Old Code	Tech. Info
1			ED00754R0460-S	WASHER	1		
2			ED0046700580-S	COPPER WASHER 8,2X12X1,5	1		
3			ED0019011730-S	SCREW	1		
5			ED0095712520-S	FUEL TUBE	2		⚠
7			ED00937R0370-S	PIPE	1		
8			ED00937R0460-S	PIPE	1		
19			ED0024710190-S	NYLON COLLAR PLT2I-MO 3,6x203	2		

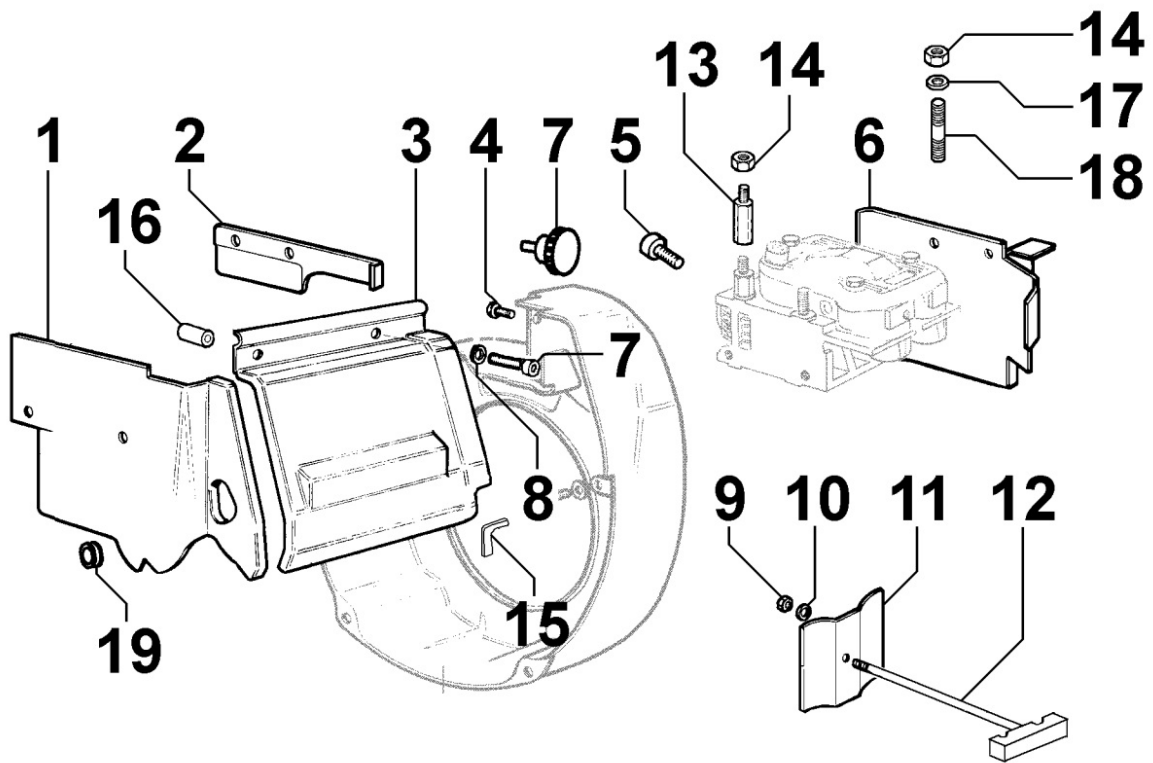
8070250010 - AIR SHROUD



Pos	Kit	Included In	Code	Description	Qty	Old Code	Tech. Info
1			ED0097301070-S	VITE TCEI 6X14-5931-8G+ZN.B	4		
2			ED0025696770-S	CONVEYOR	1		
9			ED0076250080-S	PLAIN WASHERS 6,4X12,5X1,6	2		
18			ED0097901380-S	SCREW M6x10/SCREW M6x10	2		

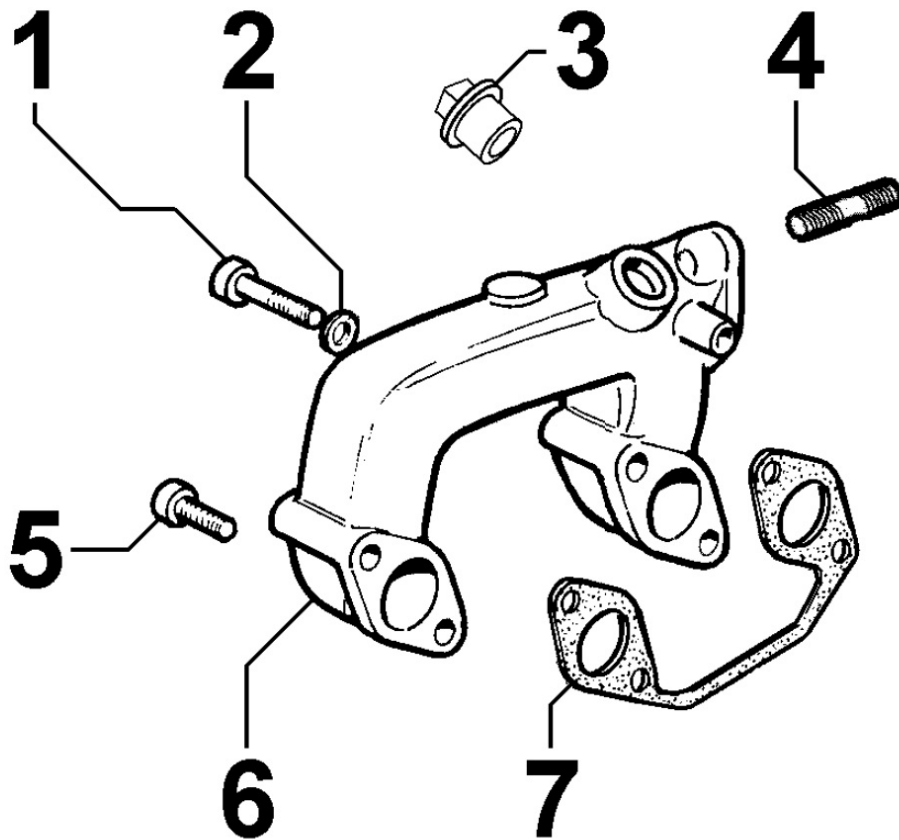


8072250010 - COOLING PLATES



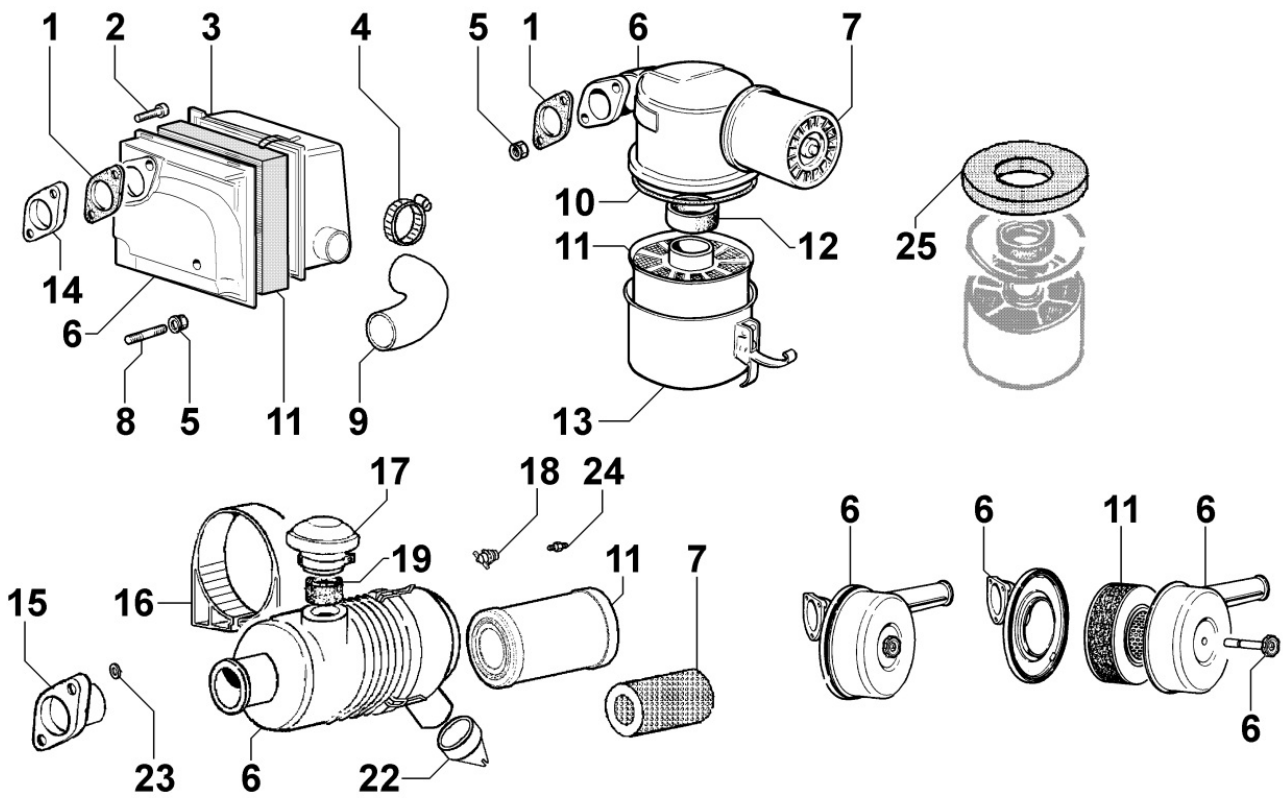
Pos	Kit	Included In	Code	Description	Qty	Old Code	Tech. Info
1			ED00588R0880-S	PARATIA/CONVEYOR	1		
3			ED00296R0600-S	CYLINDER CONVEYOR	1		
4			ED0097901380-S	SCREW M6x10/SCREW M6x10	2		
6			ED00588R0850-S	SHROUD	1		
7			ED0097310920-S	ALLEN SCREW	2		
8			ED0076250120-S	PLAIN WASHERS 8,4X17X1,6	2		
10			ED0076250520-S	PLAIN WASHERS 4,3X9X0,8	1		
11			ED00588R0860-S	CONVEYOR BULKHEAD MD150	1		
11			ED00588R0930-S	PARATIA/CONVEYOR	1		

## 8080250050 - AIR INLET MANIFOLD / AIR FILTER



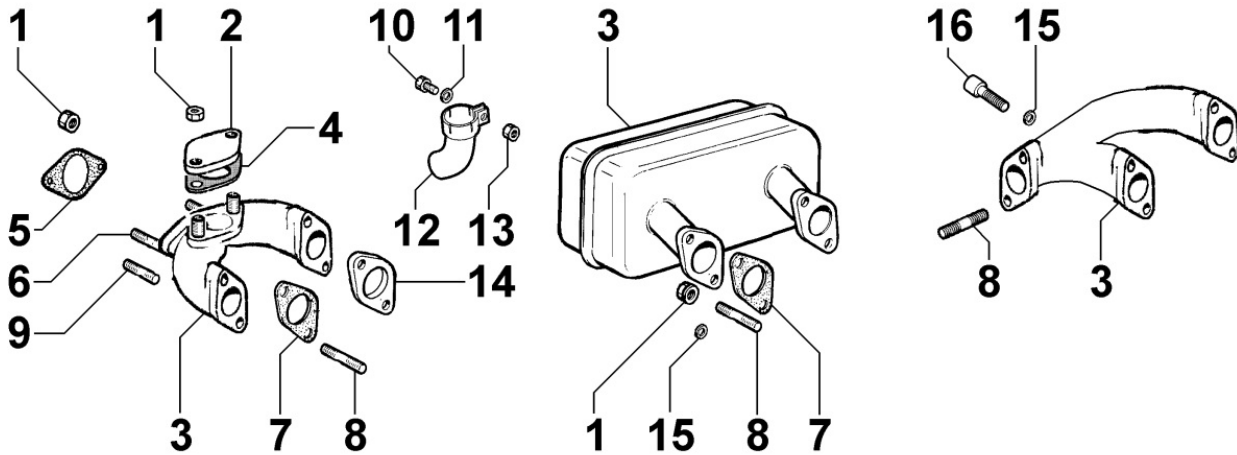
Pos	Kit	Included In	Code	Description	Qty	Old Code	Tech. Info
1			ED0097300340-S	CAP SCREW 8x55 uni.5931	2		
2			ED00771R0110-S	WASHER	4		
5			ED0097320630-S	SOC HEAD CAP SCR M8X35L 8.8	2		
6			ED00211R0590-S	MANIFOLD	1		
7			ED0044200970-S	GASKET	1		

8081250390 - AIR FILTER



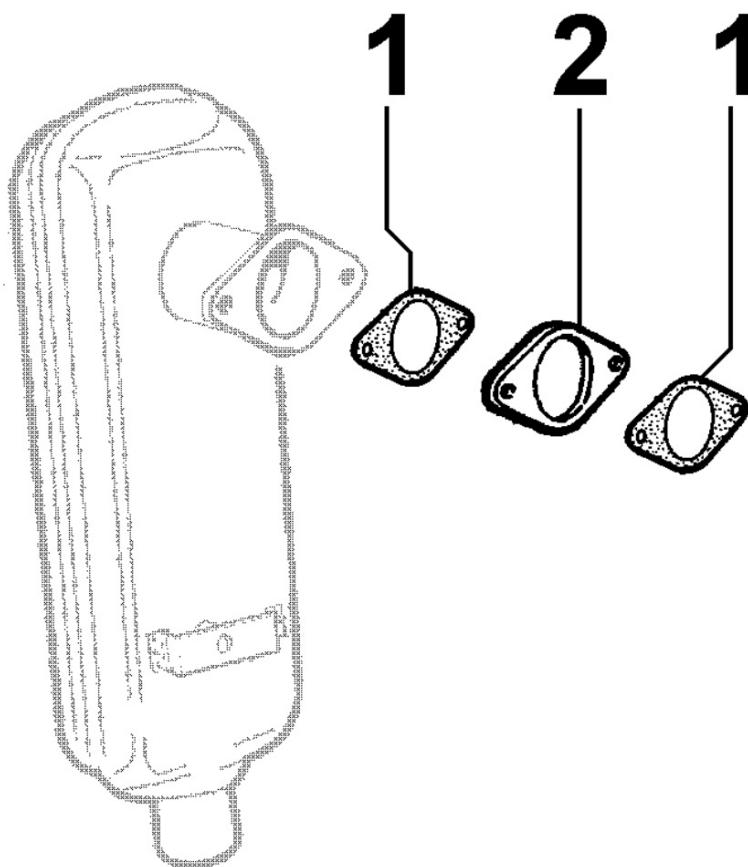
Pos	Kit	Included In	Code	Description	Qty	Old Code	Tech. Info
1			ED00450R0350-S	GASKET	1		
2			ED0097320640-S	SOC HEAD SCREW M8x30-5931.8G+Zn.B	2		
3			ED0026051100-S	FIL.COVER	1		
5			ED0032401650-S	FLG NUT M8 COPPER PLATED	1		
6			ED00268R0290-S	AIR FILTER	1		
8			ED0067800190-S	STUD	1		
11			ED0021752730-S	AIR FILTER CARTRIDGE	1		

**8085250210 - EXHAUST GAS MANIFOLD**



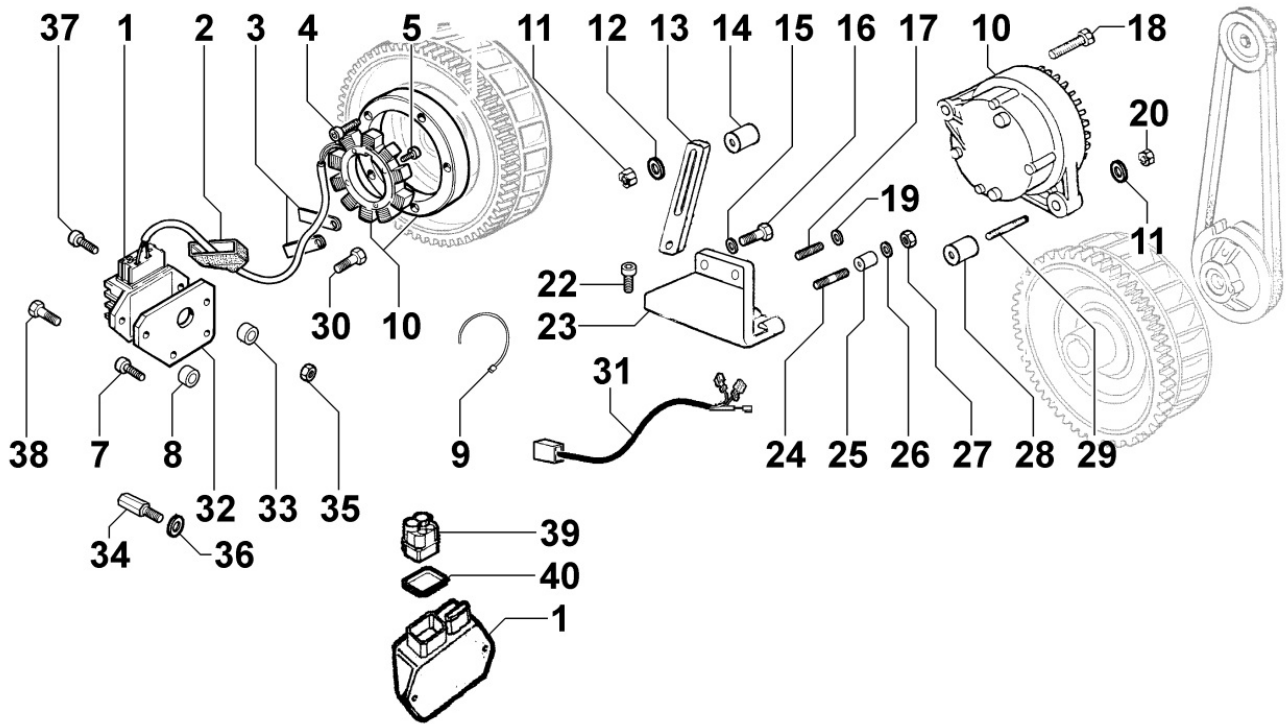
Pos	Kit	Included In	Code	Description	Qty	Old Code	Tech. Info
1			ED0032401630-S	HEX FLANG HEAD NUT M8 RM	8		
2			ED00399R0750-S	FLANGE	1		
3			ED0024864480-S	MANIFOLD	1		
4			ED00450R0350-S	GASKET	1		
5			ED0045011180-S	GASKET	1		
6			ED0067800850-S	STUD	4		
7			ED00451R0240-S	GASKET	2		
8			ED0067800680-S	STUD	2		
9			ED0067800080-S	STUD M8X20	2		

## 8087250090 - EXHAUST GAS ACCESSORIES



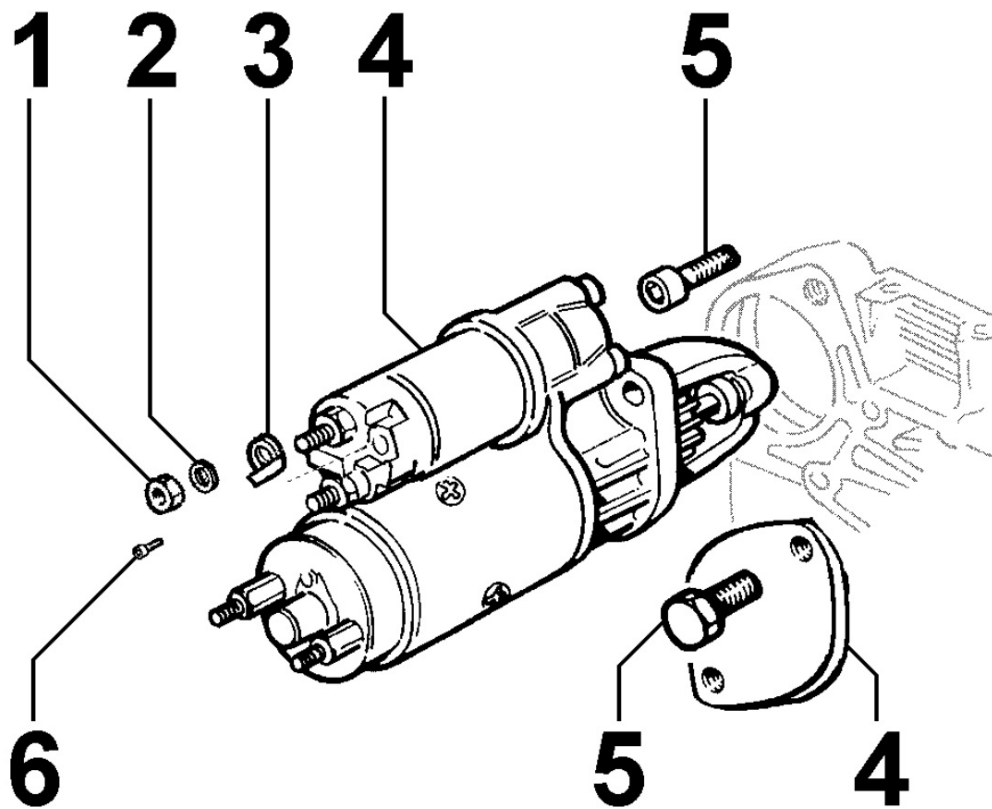
Pos	Kit	Included In	Code	Description	Qty	Old Code	Tech. Info
2			ED0038151080-S	FLANGIA/FLANGE N	1		

8100250420 - VOLTAGE ALTERNATOR



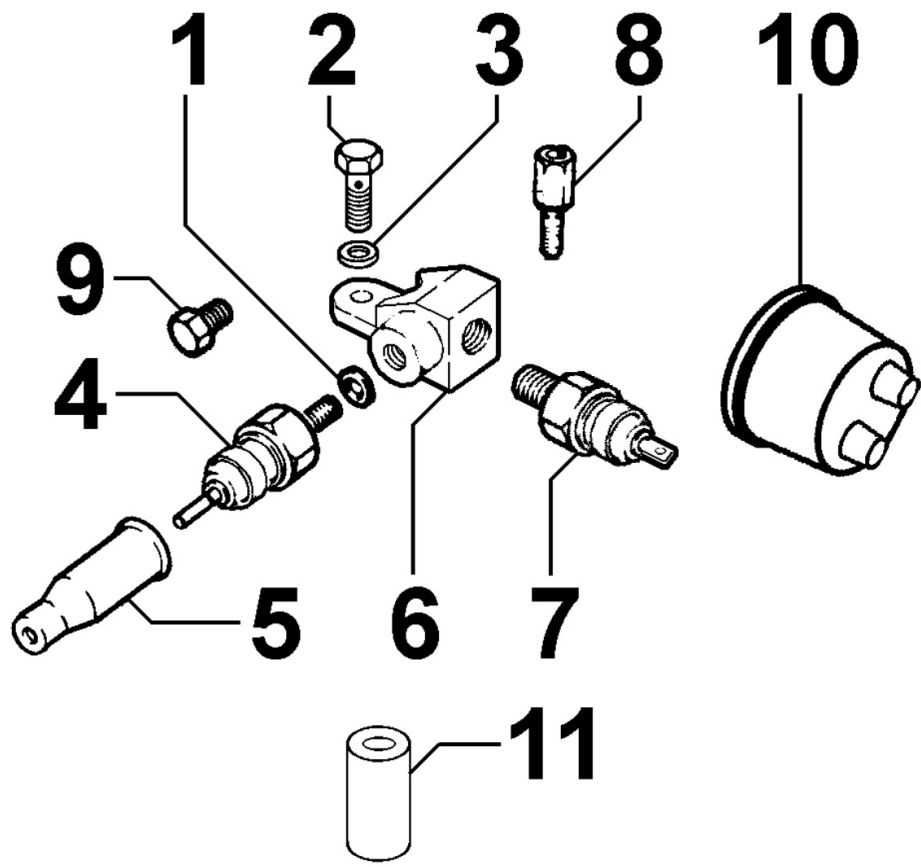
Pos	Kit	Included In	Code	Description	Qty	Old Code	Tech. Info
1			ED0073623830-S	VOLT.REGUL.FVIC	1		
2			ED0021450140-S	CAP	1		
3			ED00613R0760-S	PLATE	2		
4			ED0097303190-S	SCREW TBEI 6X12 8.8- 7380+ZNB	5		
5			ED0017550240-S	BOLT	4		
7			ED0097320630-S	SOC HEAD CAP SCR M8X35L 8.8	2		
8			ED0035210430-S	SPACER	2		
9			ED0024710190-S	NYLON COLLAR PLT2I-MO 3,6x203	1		
10			ED0011573410-S	ALTERNATOR	1		

8101250030 - STARTING MOTOR



Pos	Kit	Included In	Code	Description	Qty	Old Code	Tech. Info
1			ED0032400160-S	HEX.NUT	1		
2			ED00763R0020-S	RONDELLA/WASHER 10	1		
4			ED00563R0540-S	STARTING MOTOR	1		
5			ED0097300450-S	VITE TCEI 10X30-5931-12.9+dac	2		

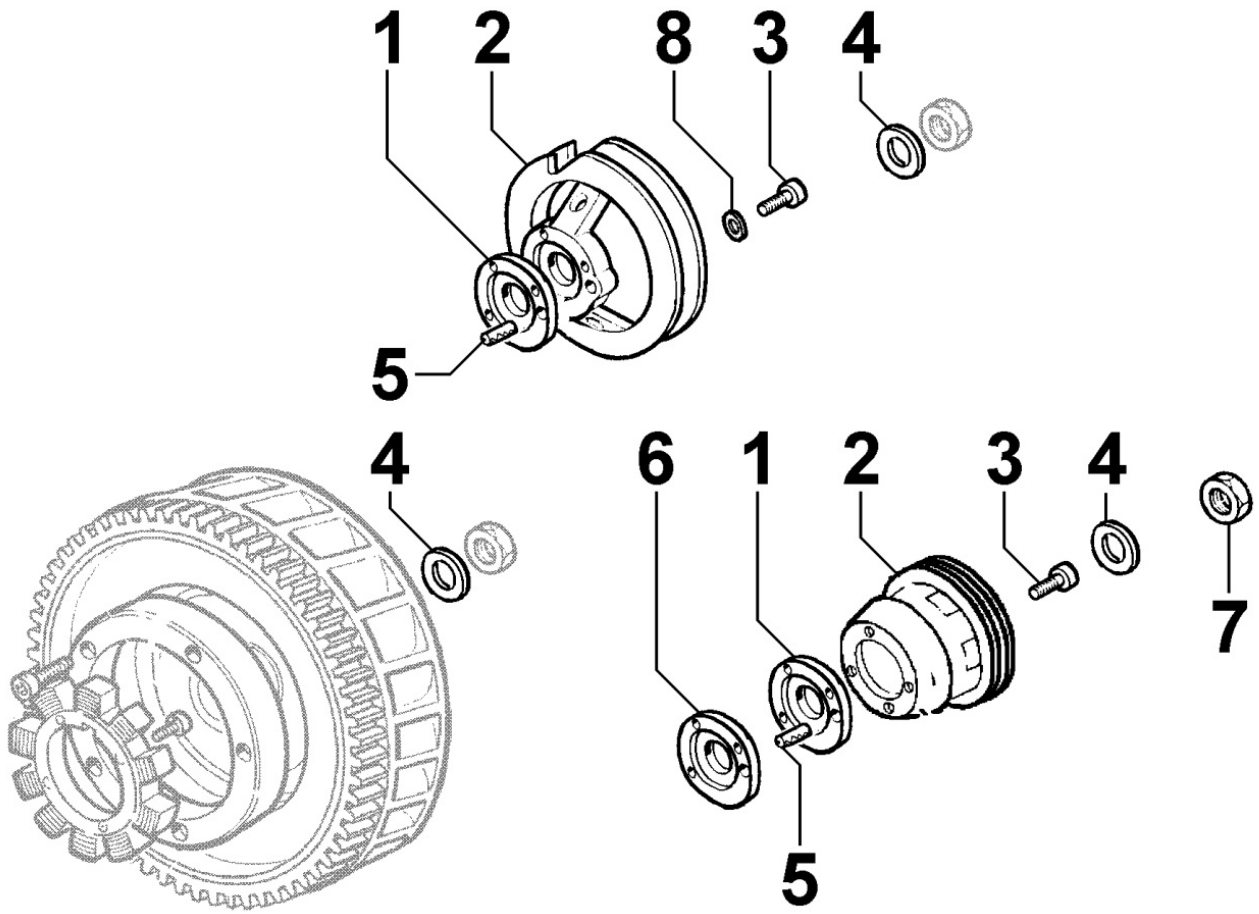
8102250070 - OIL PRESSURE SWITCH



Pos	Kit	Included In	Code	Description	Qty	Old Code	Tech. Info
1			ED0046700580-S	COPPER WASHER 8,2X12X1,5	1		
4			ED00674R0780-S	OIL PRES.SWITCH 1-1,2atm	1		
5			ED0064910130-S	GROMMET	1		

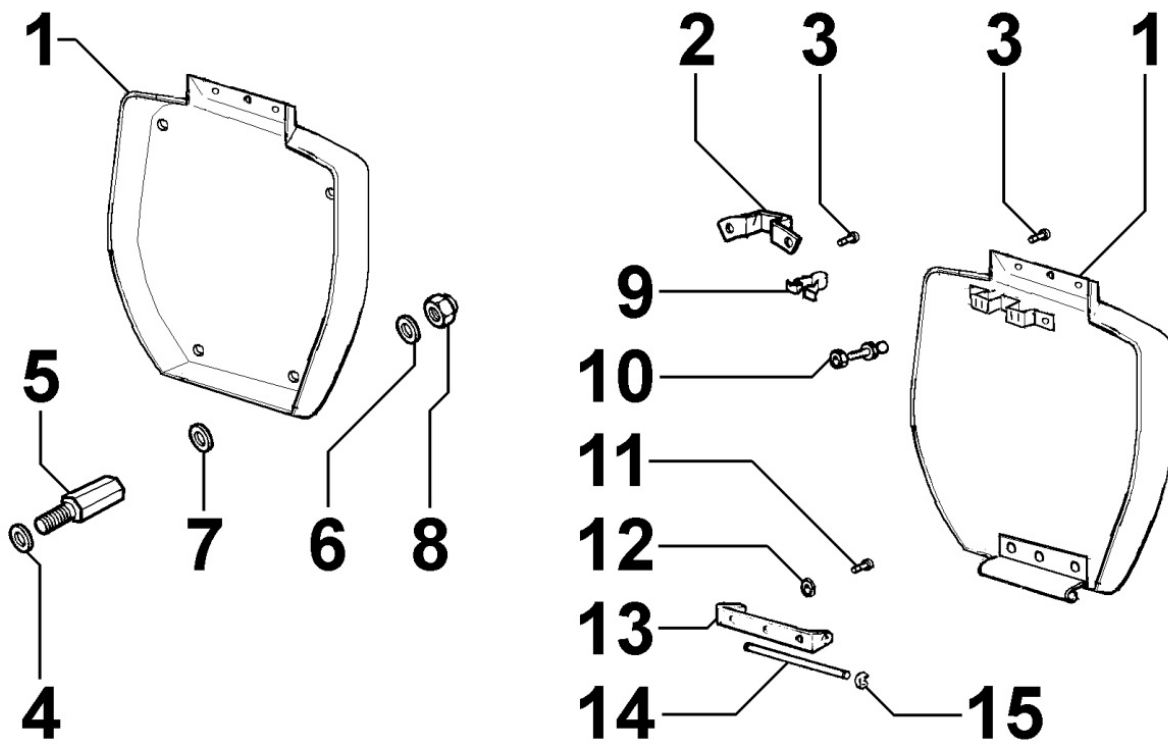


8110250040 - STARTING



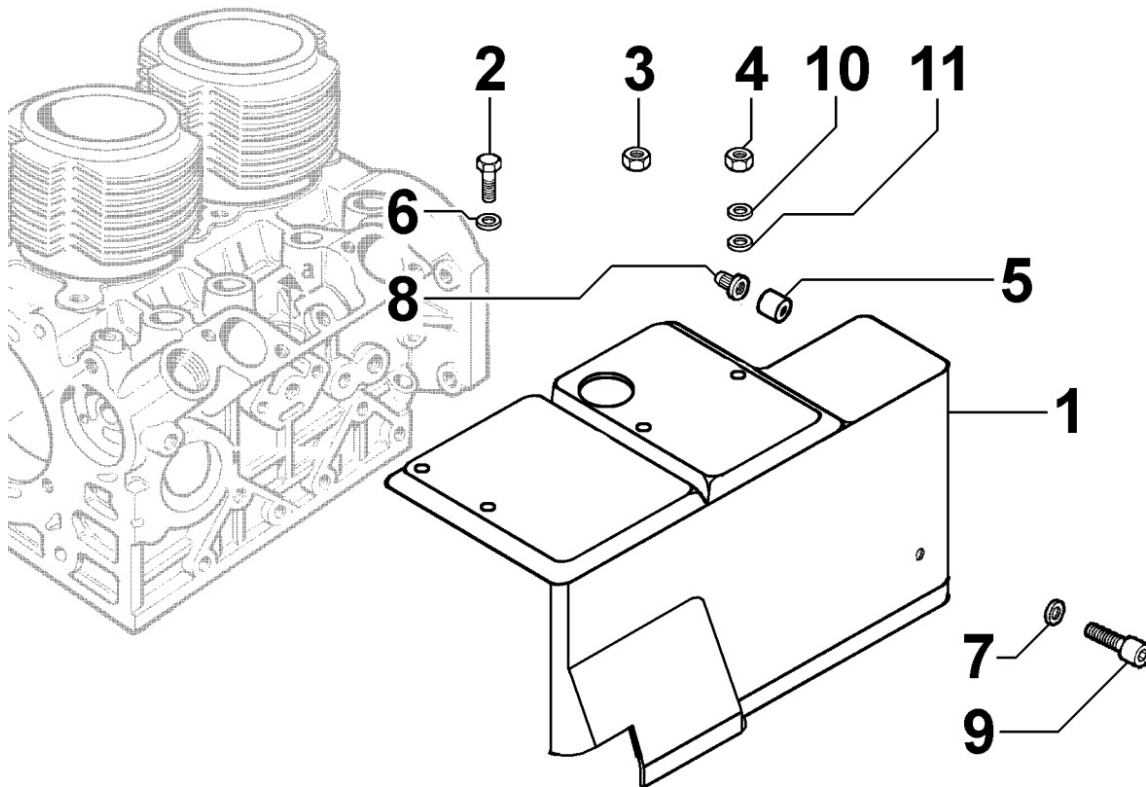
Pos	Kit	Included In	Code	Description	Qty	Old Code	Tech. Info
4			ED0076252980-S	RONDELLA/WASHER	1		

8171250010 - TIMING GEAR GUARD



Pos	Kit	Included In	Code	Description	Qty	Old Code	Tech. Info
1			ED0026700510-S	COVER	1		
4			ED0076250700-S	PLAIN WASHER 6X16X1	4		
5			ED00326R0430-S	NUT EXTENSION H48 THREAD M6	4		
6			ED0075650040-S	SPRING WASHER D11.1/6.1 1.3 TH	4		
7			ED0076250080-S	PLAIN WASHERS 6,4X12,5X1,6	4		
8			ED0032030210-S	NUT	4		
10			ED00601R0730-S	PIN	1		

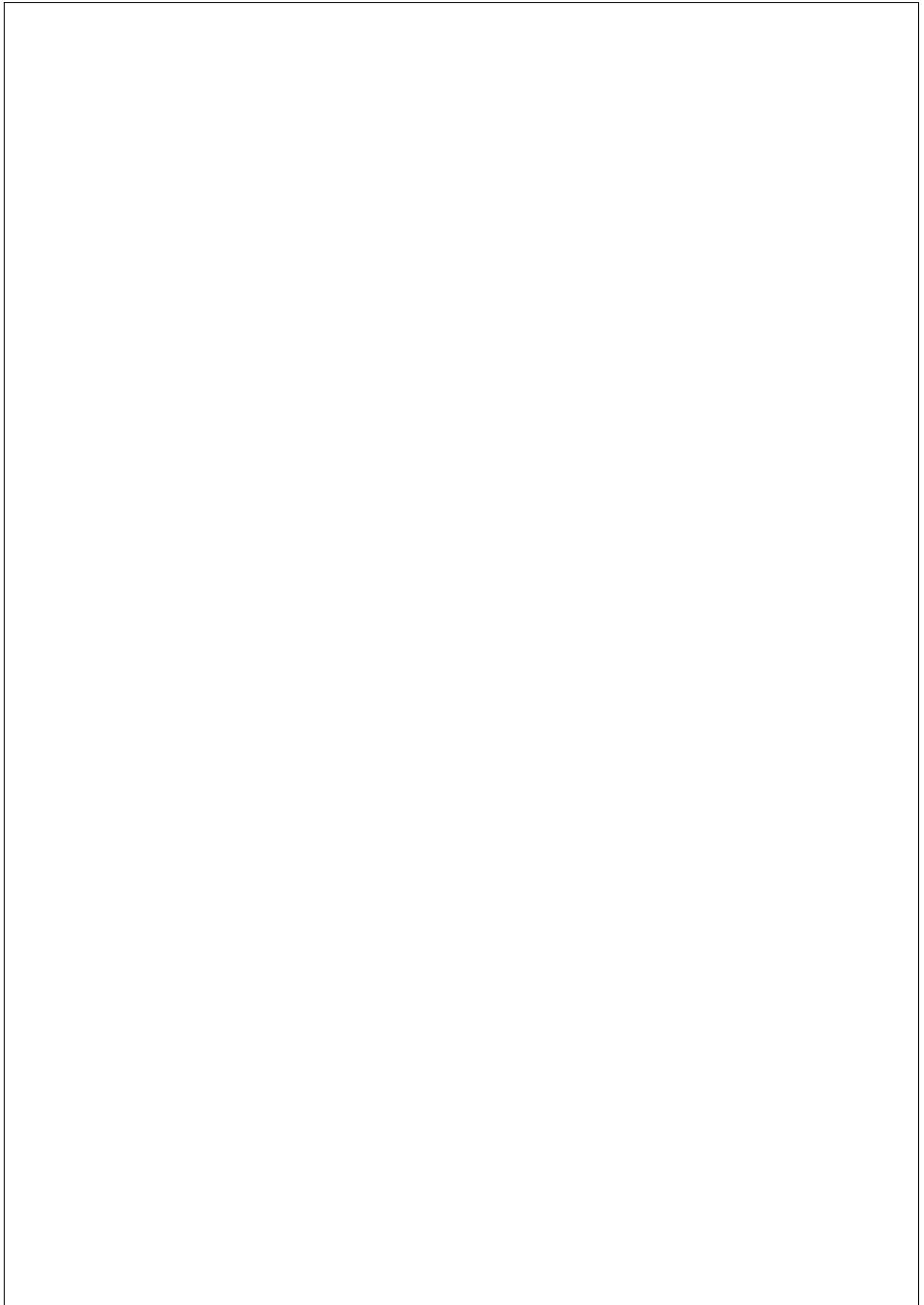
8179250200 - HEAD COVER



Pos	Kit	Included In	Code	Description	Qty	Old Code	Tech. Info
0			ED0076260640-S	WASHER	1		
1			ED0027505950-S	ENG. COV. COMPL. 25LD STAGE V	1		
3			ED0032400180-S	HEX NUT M8 1.25P STEEL 8	1		
4			ED0032400160-S	HEX.NUT	3		
5			ED0035260970-S	SPACER	1		
6			ED0076250120-S	PLAIN WASHERS 8,4X17X1,6	4		
7			ED0076260510-S	PLAIN WASHERS 6X20X2	1		
8			ED00742R0150-S	RIVET	1		
9			ED0097300150-S	SOC HEAD SCREW M6X30-5931.8G+ZN.B	1		
10			ED0076250610-S	PLAIN WASHERS 8,4X16X3	1		
11			ED0076253160-S	WASHER	2		

## 8198250120 - SPECIAL DETACHED COMPONENTS

Pos	Kit	Included In	Code	Description	Qty	Old Code	Tech. Info
0			ED0064910050-S	PIPETTA/PIPE ELBOW FV C	1		
0			ED00484R0070-S	KEY SWITCH	1		
0			ED00488R0090-S	LAMPADA SPIA/PILOT LIGHT	1		
0			ED00488R0100-S	BATTERY CHARGE LIGHT	1		
0			ED00187R0960-S	CAVO/WIRE	1		
0			ED00187R0970-S	CAVO/WIRE	1		



# KOHLER® ENGINES