

IS 8 - 9.5/ 9 - 10.2

MOTORE
ENGINE

FIG. 1 / 7

IS 8 - 9.5/ 9 - 10.2

MOTORE
ENGINE

FIG. 1 / 7

Rev. / Rel.

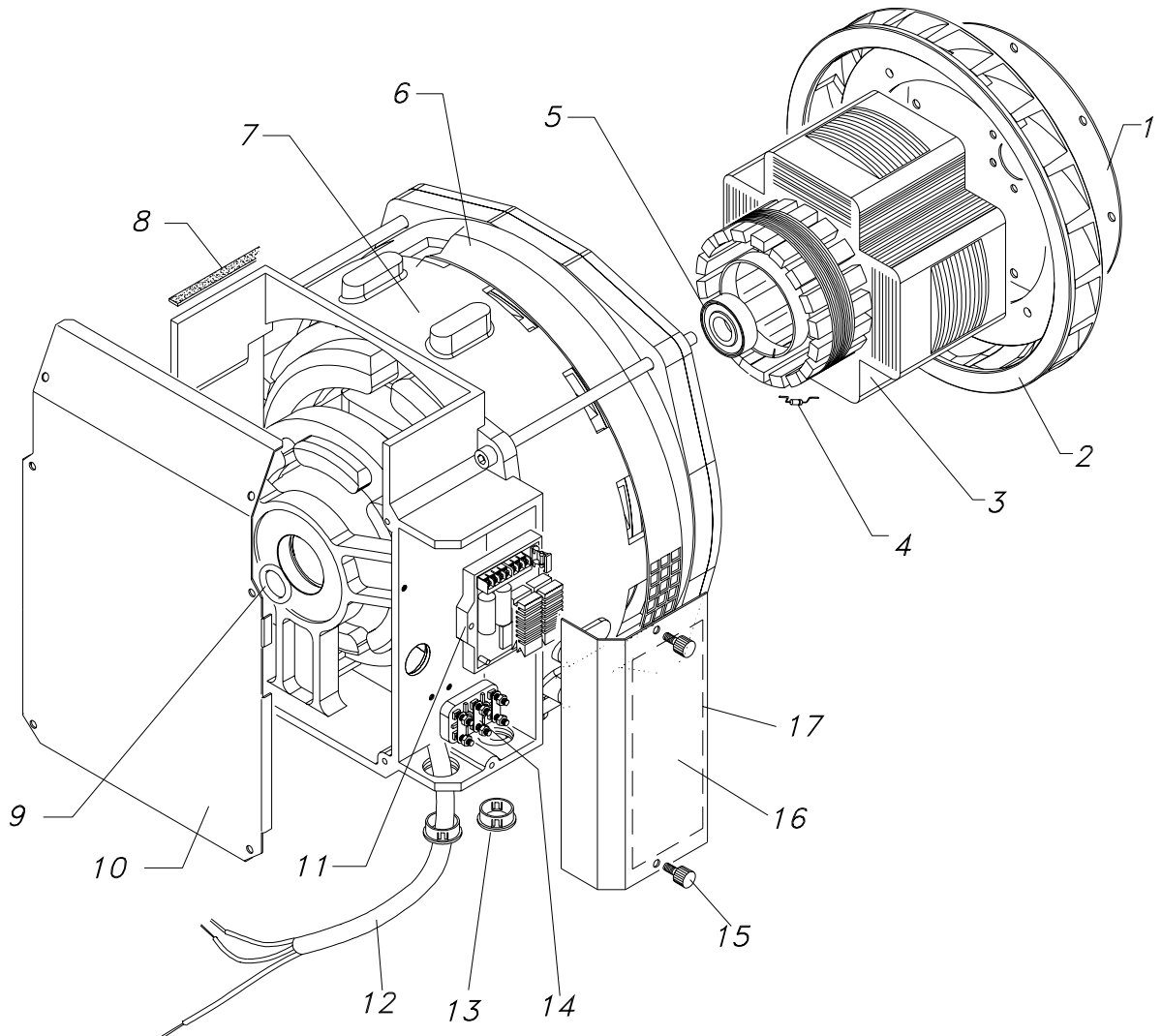
| Rif. | Cod. | Q.ty | Descrizione | Description |
|------|--------|---------|---|--|
| 1 | 81078 | 1 | MOTORE YANMAR 3TNE78A MG IS8.0 | ENGINE YANMAR 3TNE78A MG 50Hz IS8.0 |
| 1 | 81127 | 1 | MOTORE YANMAR 3TNE78 MG EPA IS9.5 | ENGINE YANMAR 3TNE78A MG 60Hz EPA IS9.5 |
| 1 | 81214 | 1 | MOTORE YANMAR 3TNE 82A MG IS 9.0 | ENGINE YANMAR 3TNE82A MG 50Hz IS9.0 |
| 1 | 81215 | 1 | MOTORE YANMAR 3TNE 82A-EMG EPA IS 10.2 | ENGINE YANMAR 3TNE82A EMG 60Hz EPA - IS10.2 |
| 2 | 62319 | 2 | STAFFA FISSAGGIO GRUPPO | BRACKET |
| 3 | 62317 | 2 | STAFFA DX/SX SUPPORTO ALTERNATORE | RH/LH BRACKET ALTERNATOR SUPPORT |
| 4 | 62318 | 2 | STAFFA SX/DX SUPPORTO MOTORE | RH/LH BRACKET ENGINE SUPPORT |
| 5 | 70309 | 4 | ANTIVIBRANTE D50X30 | SHOCK ABSORBER |
| 6 | 010952 | 1 | STAFFA SUPPORTO POMPA OLIO | BRACKET OIL PUMP SUPPORT |
| 7 | 20250 | 1 | POMPA RICAMBIO OLIO 3/4" | OIL DRAINAGE PUMP |
| 8 | 10791 | 9 | FASCETTA D.8/16 H9 | CLAMP D.8/16 H9 |
| 9 | 70198 | mt.0,35 | TUBO CARBURANTE D.10X17 | FUEL PIPE D.10X17 |
| 10 | 10785 | 2 | RONDELLA D22 | WASHER D.22 |
| 11 | 11203 | 1 | RACC. AD OCCHIO D.22 PORTAGOM.D.13 | UNION D.22 |
| 12 | 10581 | 1 | VITE FORATA M22X1,5 | HOLLOW SCREW M22X1,5 |
| 13 | 011084 | 1 | KIT TRASMETTITORI OLIO ACQUA | OIL WATER TRANSMITTER KIT |
| 13A | 11290 | 1 | RACC.3VIE TRASMETTITORI PRESS.OLIO | OIL WATER TRANSMITTER UNION |
| 13B | 32235 | 1 | TRASMETTITORE VDO 1/8" 5 BAR | TRANSMITTER VDO 1/8" 5 BAR |
| 13C | 32234 | 1 | TRASMETTITORE VDO 16X1,5 120° | TRANSMITTER VDO 16X1,5 120° |
| 14 | 92682 | 1 | PRESSOSTATO OLIO | LOW OIL PRESSURE SWITCH |
| 15 | 92640 | 1 | TERMOCONTATTO | THERMOSTAT |
| 16 | 11286 | 1 | RACCORDO 3 VIE 1/8" F. | UNION |
| 17 | 11278 | 1 | RACCORDO D.5 X 1/8" M. | UNION |
| 18 | 11285 | 2 | RACCORDO PORTAGOMMA 1/8" D.7 | UNION |
| 19 | 31004 | 1 | POMPA PIERBURG 7.21440.03 | PIERBURG PUMP |
| 20 | 71059 | 1 | VASO ESPANSIONE + TAPPO | SUB-TANK + PLUG |
| 21 | 010664 | 1 | STAFFA SUPPORTO FILTRO NAFTA | FUEL FILTER BRACKET SUPPORT |
| 22 | 11280 | 2 | RACC. OCCHIO D.12 PORTAGOM. D.8 | UNION |
| 23 | 10817 | 1 | RACC. OCCHIO D.14 PORTAGOM. D.8 | UNION |
| 24 | 11282 | 1 | RACC. OCCHIO D.8 PORTAGOM. D.6 | UNION |
| 25 | 910280 | 2 | RONDELLA | WASHER |
| 26 | 910281 | 1 | VITE FORATA | HOLLOW SCREW |
| 27 | 910282 | 1 | VITE FORATA | HOLLOW SCREW |
| 28 | 910283 | 2 | VITE FORATA | HOLLOW SCREW |
| 29 | 910284 | 2 | RONDELLA | WASHER |
| 30 | 910232 | 4 | RONDELLA | WASHER |
| 31 | 910286 | 1 | SUPPORTO FILTRO NAFTA | FUEL FILTER SUPPORT |
| 32 | 910076 | 1 | FILTRO NAFTA | FUEL FILTER |
| 33 | 71169 | mt.1,8 | TUBO CARBURANTE A1 D.8 ISO7840 | FUEL PIPE A1 D.8 ISO7840 |
| 34 | 71185 | mt.1,5 | TUBO CARBURANTE A1 D.6 ISO7840 | FUEL PIPE A1 D.6 ISO7840 |
| 35 | 10294 | 1 | CABLAGGIO MOTORE | ENGINE HARNESS |
| 36 | 20104 | 1 | DIODO BY 255 | DIODE BY 255 |
| 37 | 10561 | 8 | FASCETTA CABLAGGI 300X7,8 | HARNESS CLAMP |
| 38 | 40307 | 4 | FASCETTA CABLAGGI 130X2,9 | HARNESS CLAMP |
| 39 | 92891 | 1 | FILTRO OLIO | OIL FILTER |
| 40 | 11281 | 3 | FASCETTA D.30 GOMMATA | RUBBERIZED CLAMP |
| 41 | 910306 | 1 | FLANGIA MOTORE YANMAR 3TNE78A | ENGINE FLANGE |
| 42 | 010541 | 1 | FLANGIA ACCOPPIAMENTO MOTORE | ENGINE ASSEMBLING FLANGE |
| 43 | 11284 | 2 | SPINA ELASTICA D.8X16 | SPRING PIN |
| 44 | 910319 | 1 | VOLANO MOTORE | MOTOR FLYWHEEL |
| 45 | 010668 | 1 | CASSA FILTRO ARIA | AIR FILTER BOX |
| 46 | 70229 | cm.60 | GUARNIZIONE ADESIVA 10X3 | ADHESIVE GASKET |
| 47 | 10703 | 1 | TIRANTE M 6X145 | ROD |
| 48 | 71062 | 0,012 | ELEMENTO FILTRANTE 10PPI | AIR FILTER ELEMENT |
| 49 | 10567 | 1 | PASSACAVO DG.48 | GROMMET |
| 50 | 010670 | 1 | COPERCHIO FILTRO ARIA | AIR FILTER COVER |
| 51 | 70211 | cm.27 | GUARNIZIONE ADESIVA 50X6 | ADHESIVE GASKET |
| L | | | INGRESSO POMPA INIEZIONE MOTORE | ENGINE INJECTION PUMP ENTRANCE |
| M | | | INGRESSO POMPA INIEZIONE MOTORE | ENGINE INJECTION PUMP ENTRANCE |
| N | | | RITORNO INIETTORI | INJECTOR RETURN |

IS 8 - 9.5/ 9 - 10.2

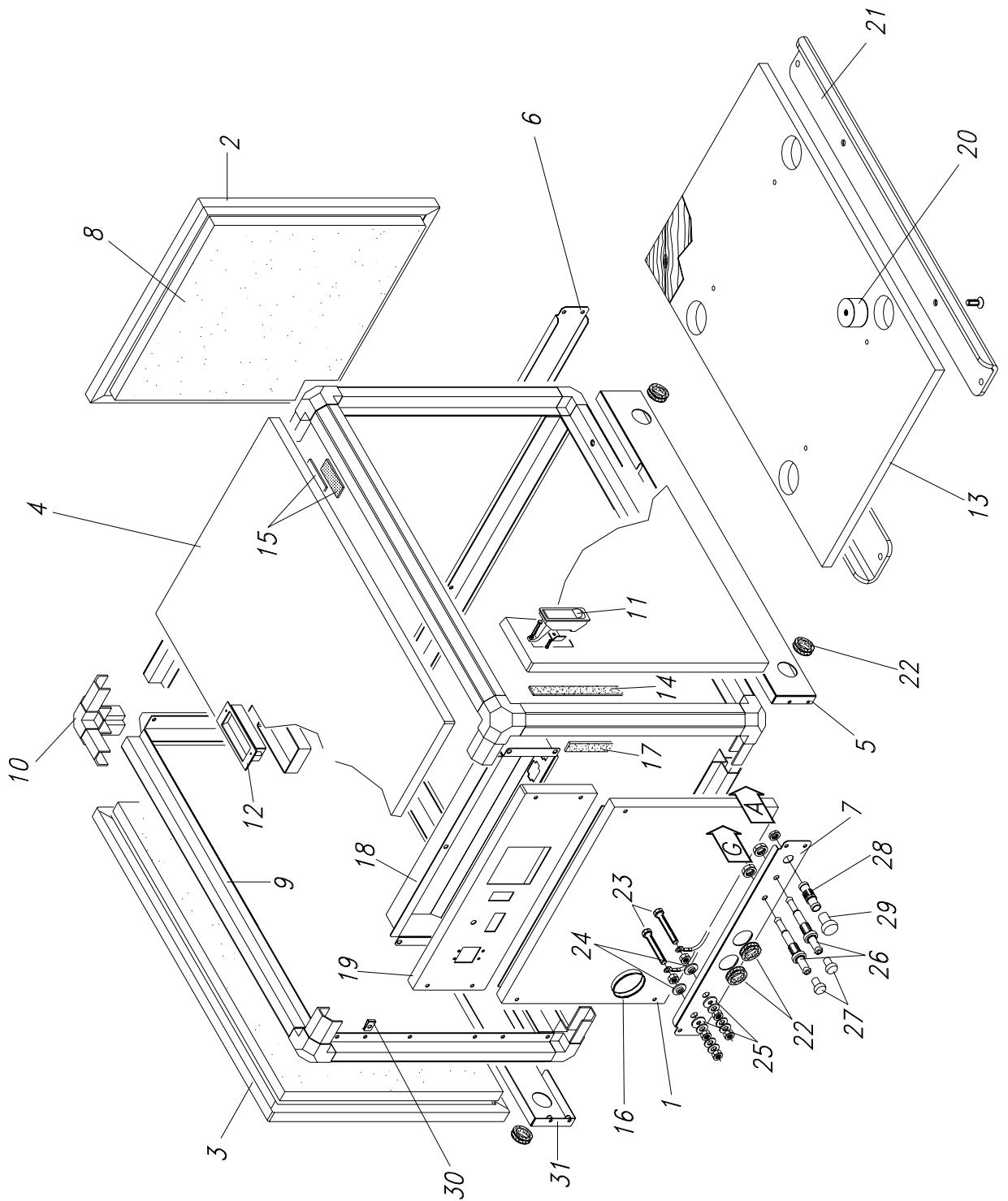
ALTERNATORE
ALTERNATOR

FIG. 2 / 7

Rev. / Rel.



| Rif. | Cod. | Q.ty | Descrizione | Description |
|------|----------|-------|--|---|
| | 010526 | 1 | ALTERNATORE ECM032 50Hz IS 8 - IS 9 | ALTERNATOR ECM032 50Hz IS 8 - IS 9 |
| | 012408-0 | 1 | ALTERNATORE ECM032 60Hz IS 9.5 - IS 10.2 | ALTERNATOR ECM032 60Hz IS 9.5 - IS 10.2 |
| 1 | 910285 | 2 | DISCO ACCOPPIAMENTO | ASSEMBLING DISK |
| 2 | 010540 | 1 | VENTOLA ALTERNATORE | ALTERNATOR FAN |
| 3 | 910316 | 1 | ROTORE | ROTOR |
| 4 | 910313 | 6 | DIODO ROTORE | ROTOR DIODE |
| 5 | 80158 | 1 | CUSCINETTO ROTORE | ROTOR BALL BEARING |
| 6 | 010758 | 1 | FASCIA PROTEZIONE ALTERNATORE | ALTERNATOR PROTECTION BAND |
| 7 | 910317 | 1 | STATORE | STATOR |
| 8 | 70229 | cm.60 | GUARNIZIONE ADESIVA 10X3 | ADHESIVE GASKET 10X3 |
| 9 | 71197 | 1 | O-RING D. 52,07X 2,62 | O-RING D.52,07X 2,62 |
| 10 | 010674 | 1 | COPERCHIO ALTERNATORE | ALTERNATOR COVER |
| 11 | 97724 | 1 | REGOLATORE DI TENSIONE | VOLTAGE REGULATOR |
| 12 | 010293 | 1 | CABLAGGIO MOTORE | ENGINE HARNESS |
| 13 | 71195 | 2 | BOCCOLA PASSACAVO | CORE HITCH |
| 14 | 32421 | 1 | MORSETTIERA | MAIN TERMINAL BOARDS |
| 15 | 70522 | 2 | MANOPOLA | HANDLE |
| 16 | 010676 | 1 | COPERCHIO MORSETTIERA | MAIN TERMINAL BOARDS COVER |
| 17 | 41668 | 1 | ADESIVO SCHEMA ELETTRICO | WIRING DIAGRAM ADHESIVE |



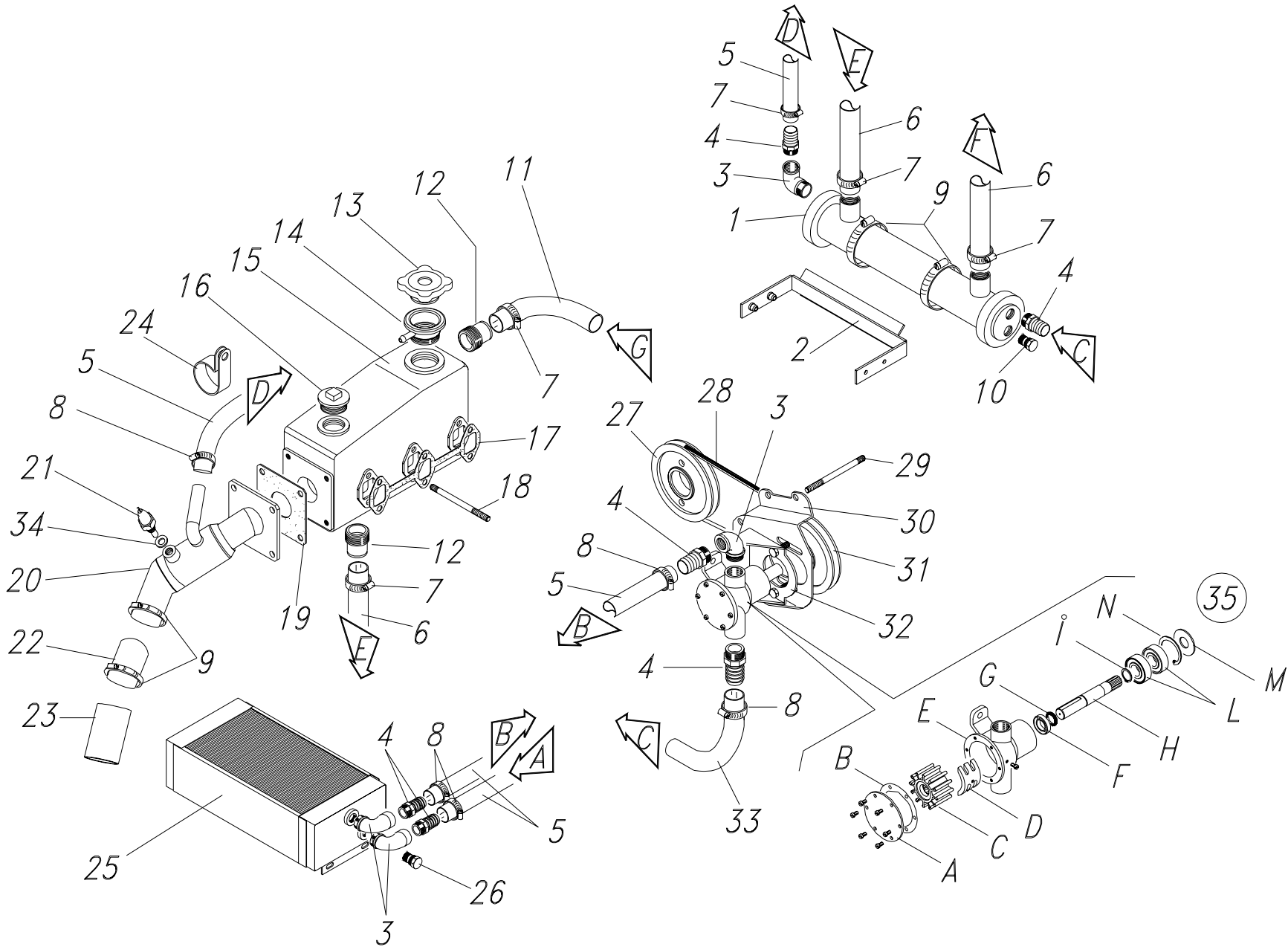
IS 8 - 9.5/ 9 - 10.2

CASSA
FRAME

FIG. 3 / 7

Rev. / Rel.

| Rif. | Cod. | Q.ty | Descrizione | Description |
|------|--------|---------|---------------------------------|--------------------------|
| 1 | 010532 | 1 | PANNELLO FISSO ALTERNATORE | ALTERNATOR FIX PANEL |
| 2 | 010533 | 1 | PANNELLO FISSO MOTORE | ENGINE FIX PANEL |
| 3 | 010534 | 2 | SPORTELLO LATERALE | LATERAL DOOR |
| 4 | 010535 | 1 | SPORTELLO SUPERIORE | UPPER DOOR |
| 5 | 010536 | 2 | CHIUSURA DX/SX FONDO | BOTTOM RH/LH CLOSURE |
| 6 | 010537 | 1 | CHIUSURA POSTERIORE FONDO | BOTTOM REAR CLOSURE |
| 7 | 010538 | 1 | CHIUSURA ANTERIORE FONDO | BOTTOM FRONT CLOSURE |
| 8 | 71172 | 1 | KIT FONOASSORBENTE | SOUNDPROOFING KIT |
| 9 | 011066 | 1 | KIT PROFILATI | DRAW PIECES KIT |
| 10 | 011067 | 8 | ANGOLO 3 VIE | CORNER |
| 11 | 62334 | 4 | CHIUSURA REGOLABILE | ADJUSTING CLOSURE |
| 12 | 71078 | 1 | MANIGLIA POCKET PULL | HANDLE |
| 13 | 41628 | 1 | PIANALE COMPENSATO | WOODEN BASE |
| 14 | 70210 | cm.4 | GUARNIZIONE ADESIVA 20X3 | ADHESIVE GASKET |
| 15 | 71182 | cm.20 | CHIUSURA A STRAPPO | TUG CLOSING |
| 16 | 71105 | mt.0,21 | TRAFILATO AD "U" EPDM | EPDM DRAFT |
| 17 | 71139 | mt.6 | GUARNIZIONE ADESIVA 20X5 | ADHESIVE GASKET |
| 18 | 010663 | 1 | PROTEZIONE CRUSCOTTO | CONTROL PANEL PROTECTION |
| 19 | 010754 | 1 | PANNELLO STRUMENTI | INSTRUMENTS PANEL |
| 20 | 071171 | 4 | ANTIVIBRANTE D50X30 | SHOCK ABSORBER |
| 21 | 62331 | 2 | STAFFA FISS.DOPPIO ANTIVIBRANTE | BRACKET |
| 22 | 10566 | 6 | PASSACAVO DG. 29 | CORE HITCH |
| 23 | 10299 | 2 | VITE M8x35 | SCREW |
| 24 | 70415 | 2 | BOCCOLA D.20/12/ H 8 | BUSHING |
| 25 | 70416 | 2 | BOCCOLA D.20X12 H 4 | BUSHING |
| 26 | 11277 | 2 | PORTAGOMMA NAFTA | FUEL NIPPLE |
| 27 | 71170 | 2 | TAPPO | PLUG |
| 28 | 10782 | 1 | RACC.P.P.ACQUA D17/16,3 L60 | UNION |
| 29 | 70958 | 1 | TAPPO | PLUG |
| 30 | 10823 | 13 | ATTACCO RAPID M6 NUT 986 | UNION |



IS 8 - 9.5/ 9 - 10.2

GRUPPO MARINIZZAZIONE
SEA WATER

FIG. 4 / 7

Rev. / Rel.

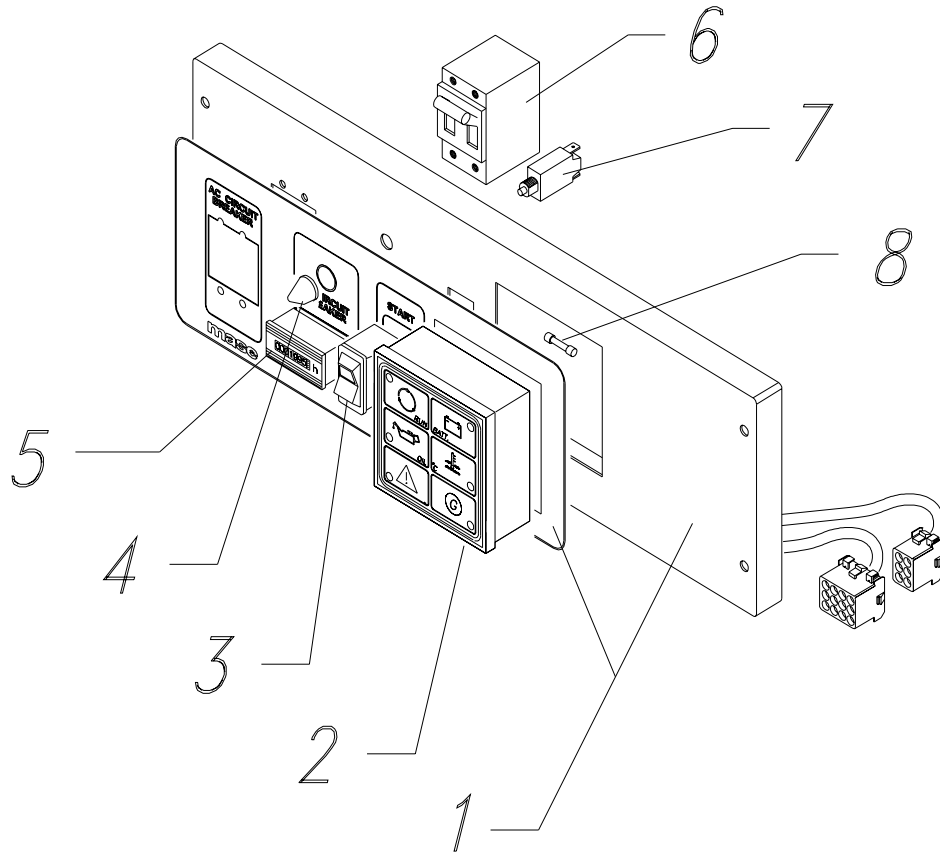
| Rif. | Cod. | Q.ty | Descrizione | Description |
|------|--------|---------|-------------------------------------|----------------------------|
| 1 | 62320 | 1 | SCAMBIATORE ACQUA/ACQUA | WATER/WATER EXCHANGER |
| 2 | 010666 | 1 | STAFFA SUPPORTO SCAMBIATORE | EXCHANGER SUPPORT BRACKET |
| 3 | 10814 | 4 | GOMITO A 90° M/F 3/8" | ELBOW |
| 4 | 10614 | 6 | PORTAGOMMA D.15 | NIPPLE |
| 5 | 70442 | cm.320 | TUBO D.15X23 | PIPE |
| 6 | 70969 | mt.1,07 | TUBO RADIATORE | RADIATOR PIPE |
| 7 | 11164 | 6 | FASCETTA D.32/ 44 | CLAMP |
| 8 | 10825 | 10 | FASCETTA D.16/ 25 H 9 | CLAMP |
| 9 | 10872 | 4 | FASCETTA D.50/ 70 H13 | CLAMP |
| 10 | 011943 | 1 | ZINCO SCAMBIATORE ACQUA/ACQUA | WATER/WATER EXCHANGER ZINC |
| 11 | 71167 | 1 | MANICOTTO | SLEEVE |
| 12 | 11276 | 2 | PORTAGOMMA FIL.1"GAS | NIPPLE |
| 13 | 011273 | 1 | TAPPO SCAMBIATORE | EXCHANGER PLUG |
| 14 | 010525 | 1 | RACCORDO M40X 2 + BOCCHETTONE | NIPPLE + HUB |
| 15 | 010296 | 1 | COLLETTORE SCARICO ACQUA | WATER EXHAUST MANIFOLD |
| 16 | 11279 | 1 | TAPPO 1"GAS | PLUG |
| 17 | 910287 | 1 | GUARNIZIONE COLL.SCARICO MOTORE | GASKET |
| 18 | 11196 | 6 | TIRANTE M8X130 | ROD |
| 19 | 71164 | 1 | GUARNIZIONE COLL. MISCELATORE | MIXER GASKET |
| 20 | 011388 | 1 | MISCELATORE | MIXER |
| 21 | 30253 | 1 | TERMOCONTATTO VDO 70° RIF.867 | THERMAL SWITCH |
| 22 | 70873 | mt.0,2 | TUBO SPIRALBENZ D. 50 | PIPE |
| 23 | 011390 | 1 | CURVA SCARICO D.50/60° | D.50/90° EXHAUST BEND |
| 24 | 11281 | 1 | FASCETTA D.30 GOMMATA | RUBBERIZED CLAMP |
| 25 | 62323 | 1 | SCAMBIATORE ACQUA/AIRIA | WATER/AIR EXCANGER |
| 26 | 80162 | 1 | ZINCO SCAMBIATORE ACQUA/AIRIA | WATER/AIR EXCANGER ZINC |
| 27 | 50282 | 1 | PULEGGIA MOTORE | ENGINE PULLEY |
| 28 | 71166 | 1 | CINGHIA | V-BELT |
| 29 | 11199 | 2 | TIRANTE M 8X115 | ROD |
| 30 | 08886 | 1 | STAFFA SUPP.POMPA | PUMP SUPPORT BRACKET |
| 31 | 50292 | 1 | PULEGGIA POMPA ACQUA | WATER PUMP PULLEY |
| 32 | 010735 | 1 | STAFFA FISSAGGIO POMPA | PUMP FASTENING BRACKET |
| 33 | 71168 | 1 | MANICOTTO D.16/90° | SLEEVE |
| 34 | 10342 | 1 | RONDELLA D14X20X1,5 | WASHER |
| 35 | 20639 | 1 | POMPA JOHNSON F4B-8 3/8" - NEOPRENE | JOHNSON PUMP |
| 35A | 910320 | 1 | COPERCHIO | END COVER |
| 35B | 910321 | 1 | GUARNIZIONE COLL.SCARICO MOTORE | GASKET |
| 35C | 80163 | 1 | GIRANTE | IMPELLER |
| 35D | 910322 | 1 | CAMMA | CAM |
| 35E | 910323 | 1 | CORPO | BOBY |
| 35F | 910324 | 1 | TENUTA A LABBRO | LIP SEAL |
| 35G | 910325 | 1 | O-RING | O-RING |
| 35H | 910326 | 1 | ALBERO | SHAFT |
| 35I | 910327 | 1 | ANELLO ELASTICO | RETAINING RING |
| 35L | 910328 | 1 | CUSCINETTO | BALL BEARING |
| 35M | 910329 | 1 | RONDELLA | WASHER |
| 35N | 910330 | 1 | ANELLO ELASTICO | RETAINING RING |

IS 8 - 9.5/ 9 - 10.2

CRUSCOTTO COMANDI
CONTROL PANEL

FIG. 5 / 7

Rev. / Rel.



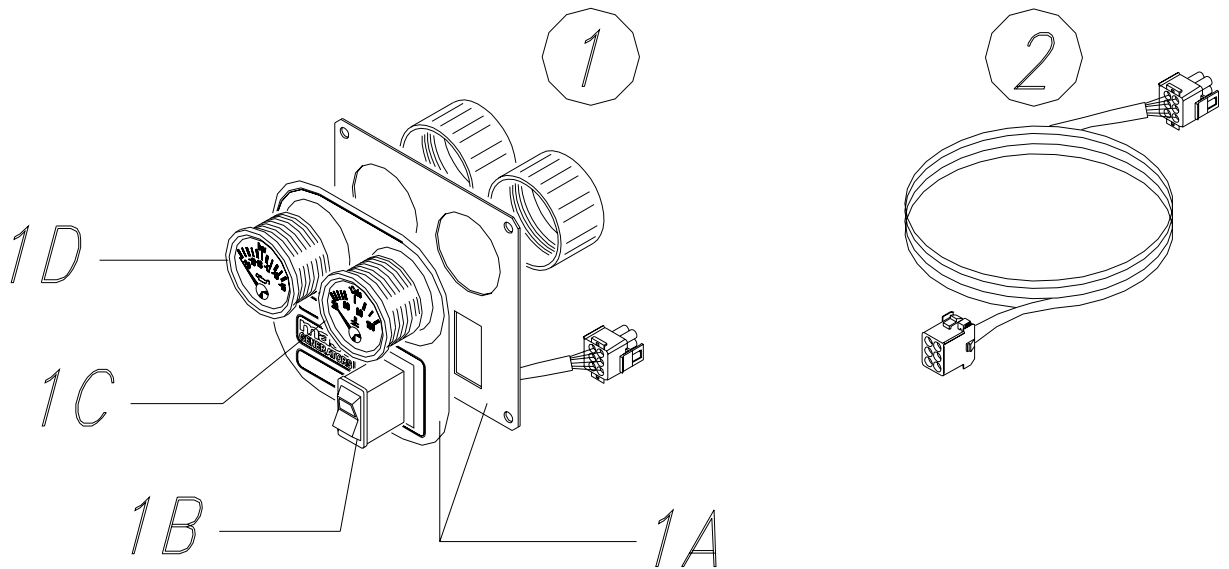
| Rif. | Cod. | Q.ty | Descrizione | Description |
|------|--------|------|--|--------------------------------------|
| | 010291 | 1 | QUADRO DI COMANDO IS 8 50.115/230 | CONTROL PANEL |
| | 011266 | 1 | QUADRO DI COMANDO IS 9.5 60.120/240 | CONTROL PANEL |
| | 012977 | 1 | QUADRO DI COMANDO IS 9 50.115/230 | CONTROL PANEL |
| | 012978 | 1 | QUADRO DI COMANDO IS 10.2 60.120/240 | CONTROL PANEL |
| 1 | 012397 | 1 | PANNELLO + ADESIVO | PANEL + LABEL |
| 2 | 32393 | 1 | MODULO PROTEZIONE MOTORE | ENGINE PROTECTION MODULE |
| 3 | 32402 | 1 | INTERRUTTORE START/0/STOP | START/0/STOP BUTTON |
| 4 | 30270 | 1 | CALOTTA PER T11-211 TIPO H | THERMAL SWITCH PROTECTION |
| 5 | 30474 | 1 | CONTAORE 110V 50Hz IS 8 - IS 9 | HOURSMETER 50Hz IS 8 - IS 9 |
| 5 | 30475 | 1 | CONTAORE 110V 60Hz IS 9.5 - IS 10.2 | HOURSMETER 60Hz IS 9.5 - IS 10.2 |
| 6 | 32375 | 1 | INT.AM2S 35A 250V BIPOLARE IS 8 - IS 9 | CIRCUIT BREAKER 35A 250V IS 8 - IS 9 |
| 6 | 32689 | 1 | INT.AM2S 38A 250V BIPOLARE IS 9.5 | CIRCUIT BREAKER 38A 250V IS 9.5 |
| 6 | 32223 | 1 | INT.AM2S 45A 250V BIPOLARE IS10.2 | CIRCUIT BREAKER 45A 250V IS 10.2 |
| 7 | 31029 | 1 | DISGIUNTORE TERMICO 12A | THERMAL SWITCH 12A |
| 8 | 30356 | 1 | FUSIBILE 6A 5x20 | FUSE 6A |

IS 8 - 9.5/ 9 - 10.2

CRUSCOTTO COMANDI A DISTANZA
CON STRUMENTI
REMOTE CONTROL PANEL WITH
INSTRUMENTS

FIG. 6 / 7

Rev. / Rel.



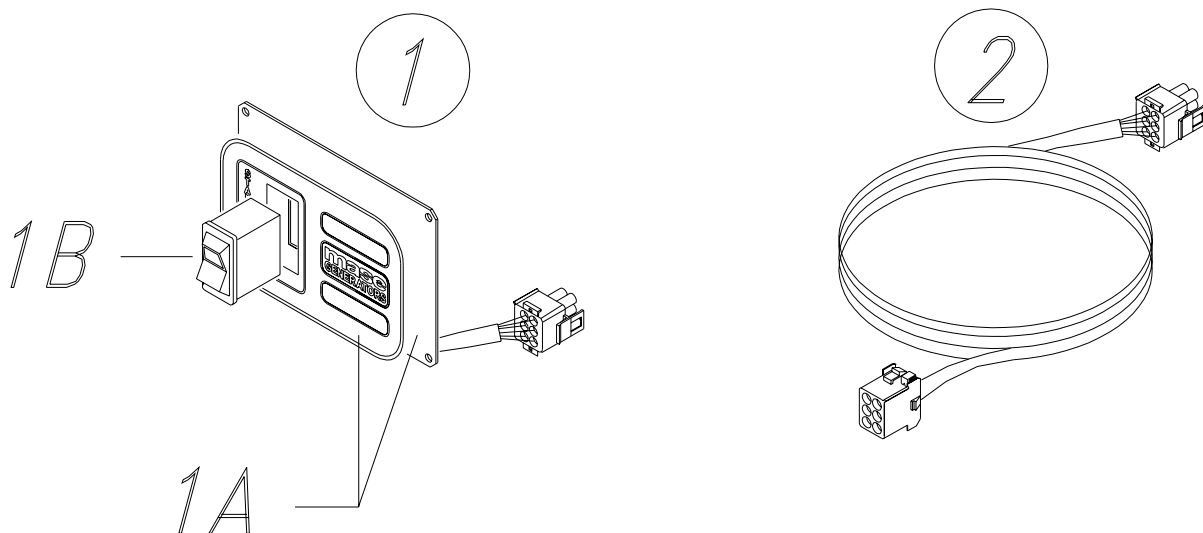
| Rif. | Cod. | Q.ty | Descrizione | Description |
|------|--------|------|-----------------------------------|---|
| | 010878 | 1 | KIT COMANDO A DIST. CON STRUMENTI | REMOTE CONTROL PANEL KIT WITH INSTRUMENTS |
| 1 | 010879 | 1 | QUADRO COMANDO A DISTANZA | REMOTE CONTROL PANEL WITH INSTRUMENTS |
| 1a | 012396 | 1 | PANNELLO | PANEL |
| 1b | 41669 | 1 | ADESIVO | LABEL |
| 1c | 32402 | 1 | INTERRUTTORE START/0/STOP | START/0/STOP BUTTON |
| 1d | 32412 | 1 | TERMOMETRO 12V 120°C | WATER TEMPERATURE GAUGE |
| 1e | 32413 | 1 | MANOMETRO 12V 5BAR | OIL PRESSURE GAUGE |
| 2 | 011083 | 1 | CAVO COMPLETO 20MT | 20m CABLE |

IS 8 - 9.5/ 9 - 10.2

CRUSCOTTO COMANDI A DISTANZA
SENZA STRUMENTI
REMOTE CONTROL PANEL WITHOUT
INSTRUMENTS

FIG. 7 / 7

Rev. / Rel.



| Rif. | Cod. | Q.ty | Descrizione | Description |
|------|--------|------|---------------------------|--------------------------|
| | 010881 | 1 | KIT COMANDO A DISTANZA | REMOTE CONTROL PANEL KIT |
| 1 | 010882 | 1 | QUADRO COMANDO A DISTANZA | REMOTE CONTROL PANEL |
| 1a | 012395 | 1 | PANNELLO | PANEL |
| 1b | 41675 | 1 | ADESIVO | LABEL |
| 1c | 32402 | 1 | INTERRUTTORE START/0/STOP | START/0/STOP BUTTON |
| 2 | 011083 | 1 | CAVO COMPLETO 20MT | 20m CABLE |