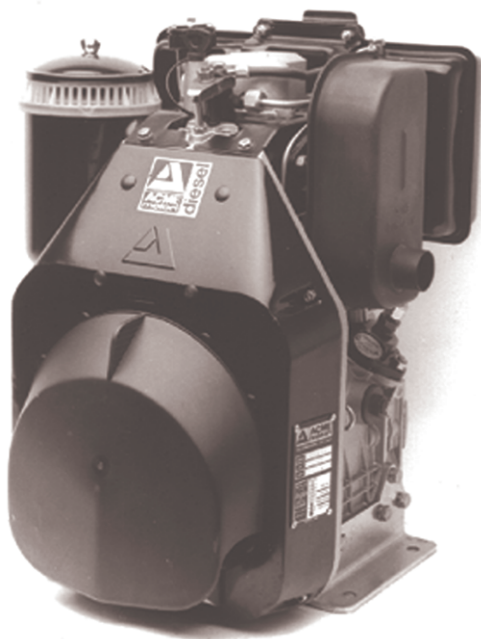


ADN W - VW

ADN Testa nuova dal N 2260001 - ADN New type cylinder head from Serial N 2260001

cod. -B0369 SHORT BLOCK ADN 37 W
cod. -B0371 SHORT BLOCK ADN 43 W
cod. -B0373 SHORT BLOCK ADN 45 W

cod. -B0374 SHORT BLOCK ADN 48 W
cod. -B0375 SHORT BLOCK ADN 54 W



ADN W - VW

ADN Testa nuova dal N 2260001 - ADN New type cylinder head from Serial N 2260001

cod. -B0369 SHORT BLOCK ADN 37 W
 cod. -B0371 SHORT BLOCK ADN 43 W
 cod. -B0373 SHORT BLOCK ADN 45 W

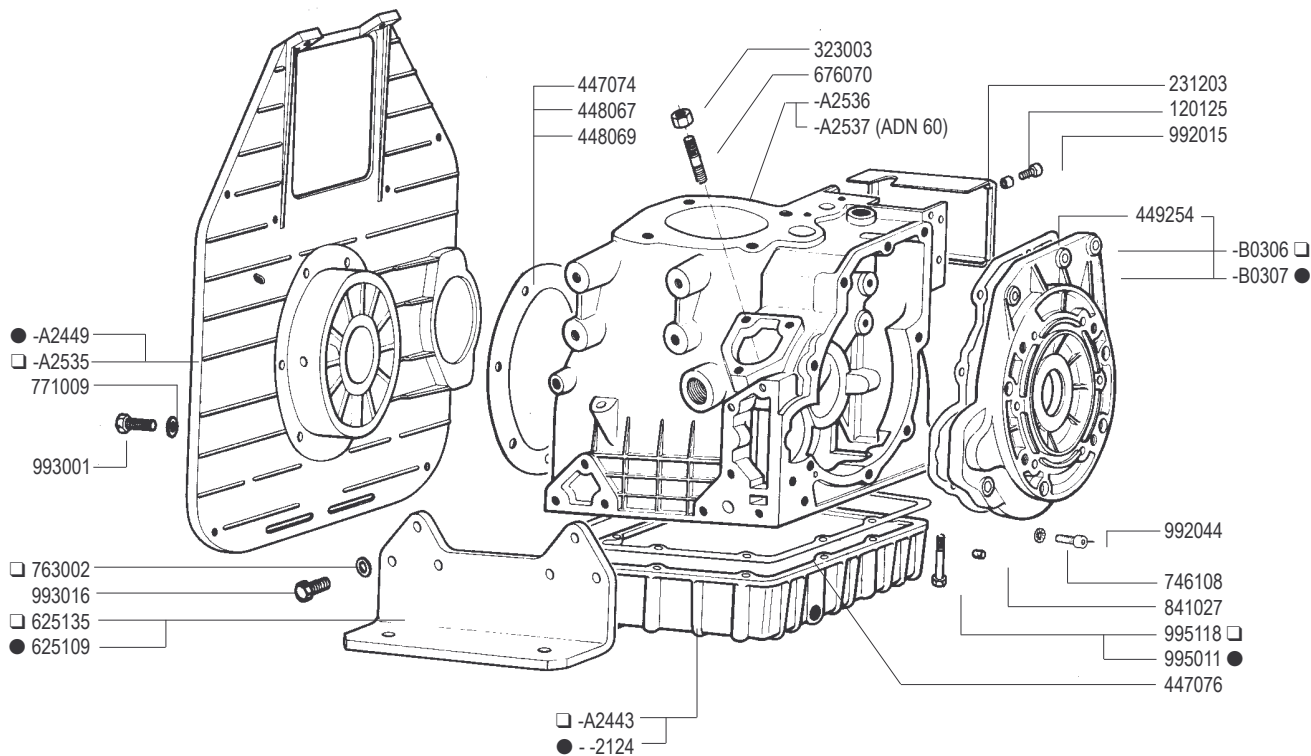
cod. -B0374 SHORT BLOCK ADN 48 W
 cod. -B0375 SHORT BLOCK ADN 54 W

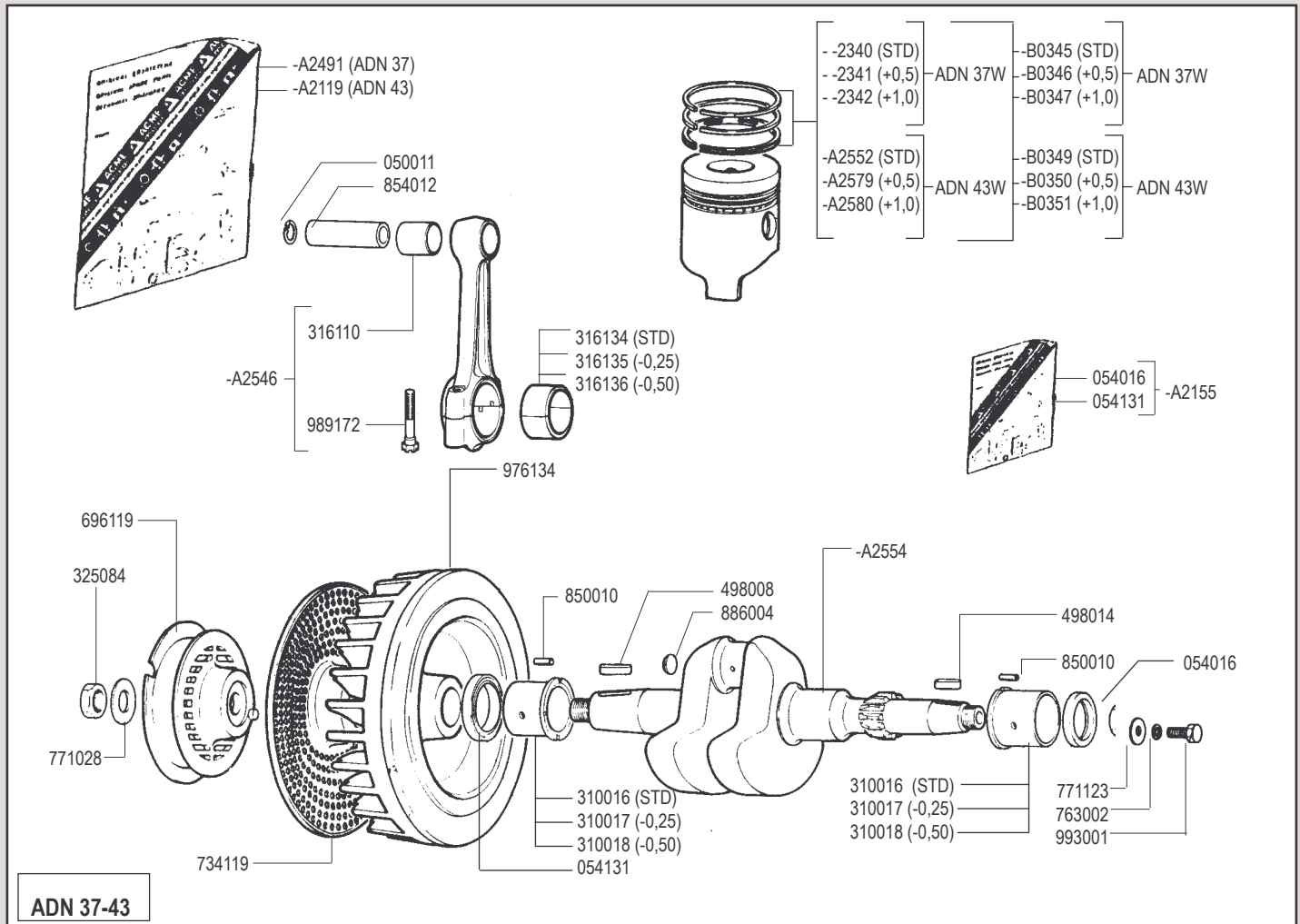


RICAMBI - SPARE PARTS - ERSATZTEILE - PIECES DETACHEES - REPUESTOS

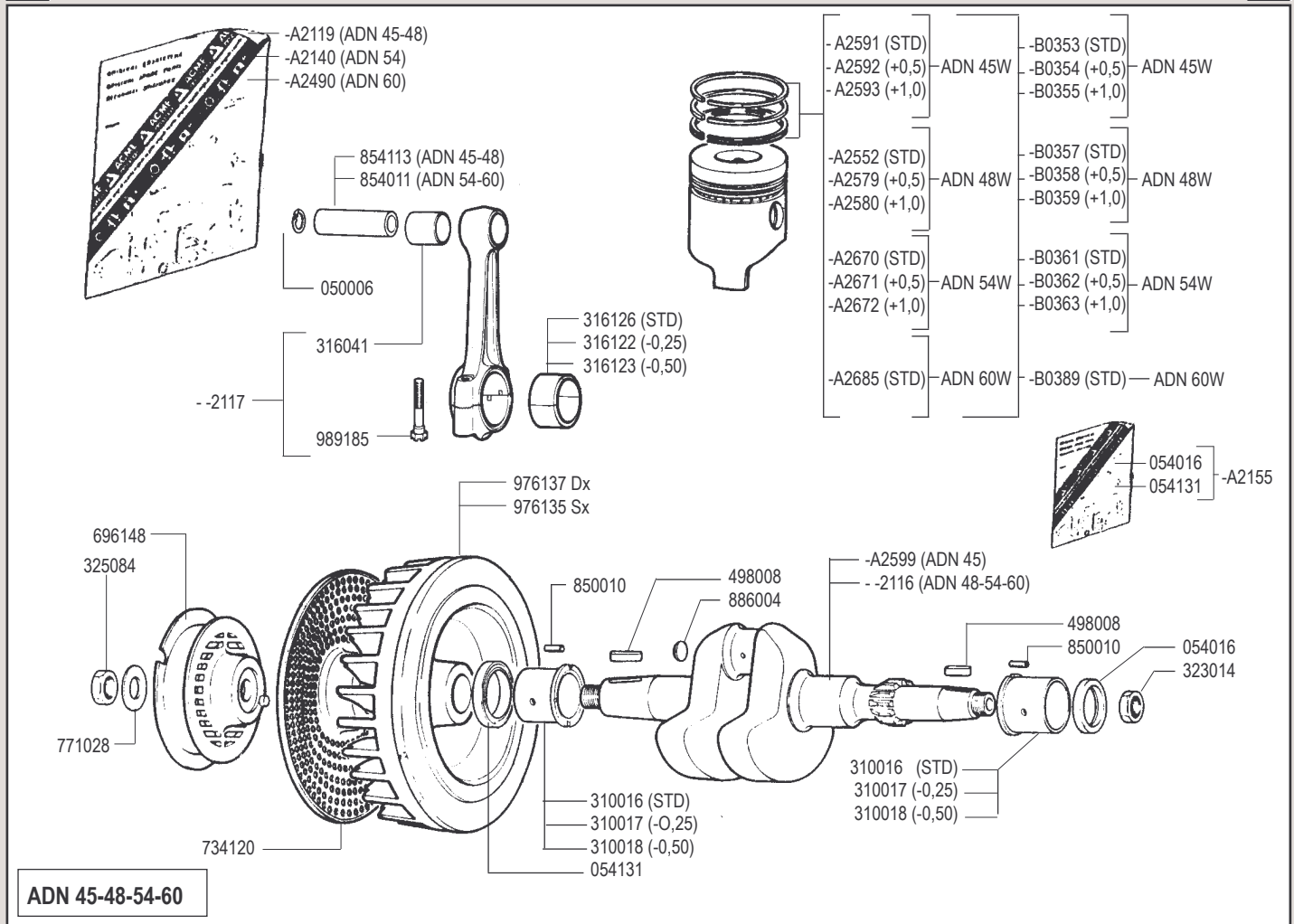


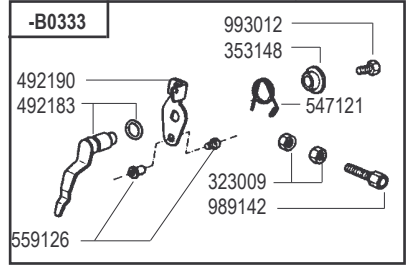
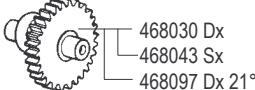
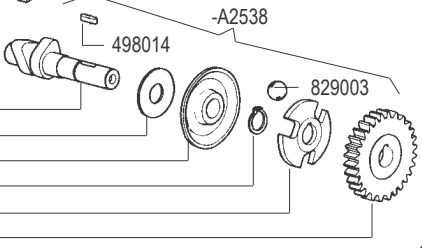
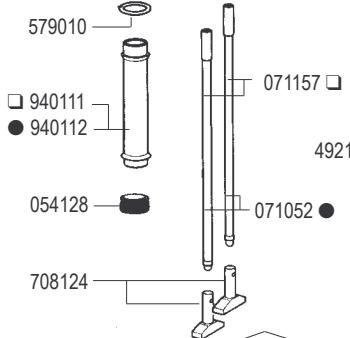
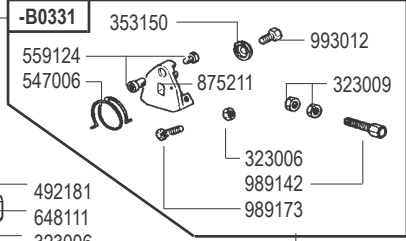
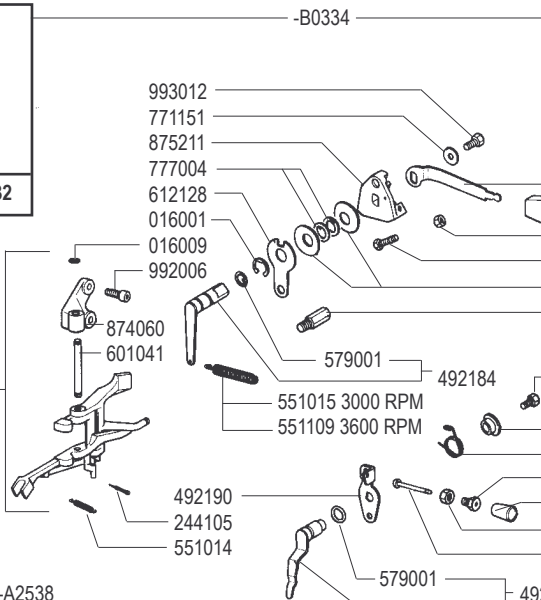
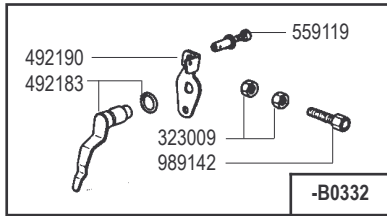
- ADN 37-43
- ADN 45-48-54-60





RICAMBI - SPARE PARTS - ERSATZTEILE - PIECES DETACHEES - REPUESTOS

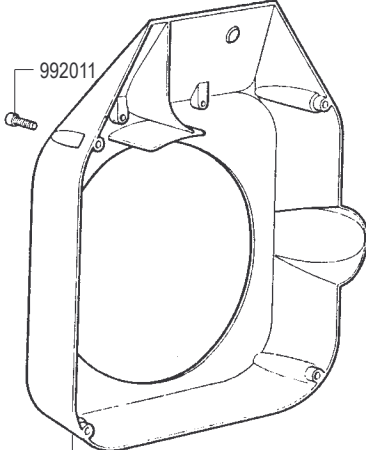
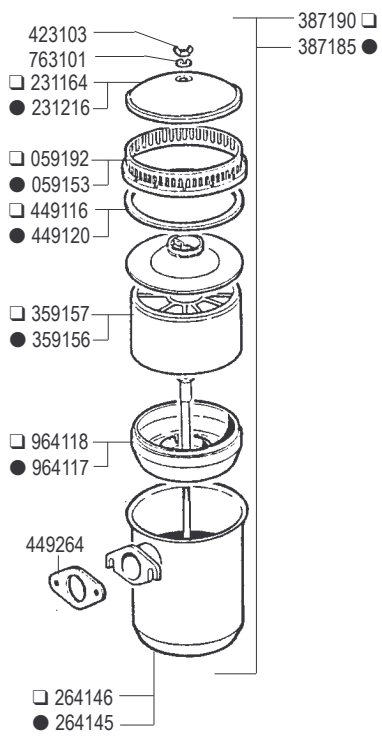




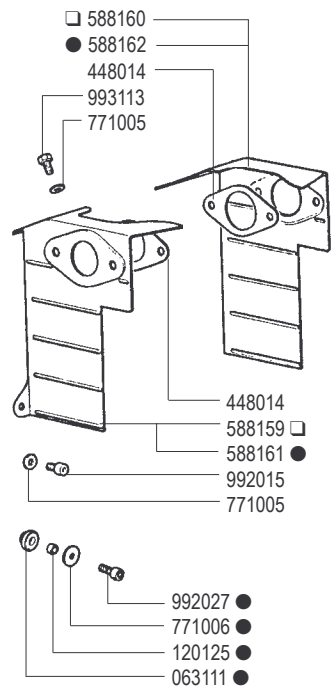
- ADN 37-43
- ADN 45-48-54-60

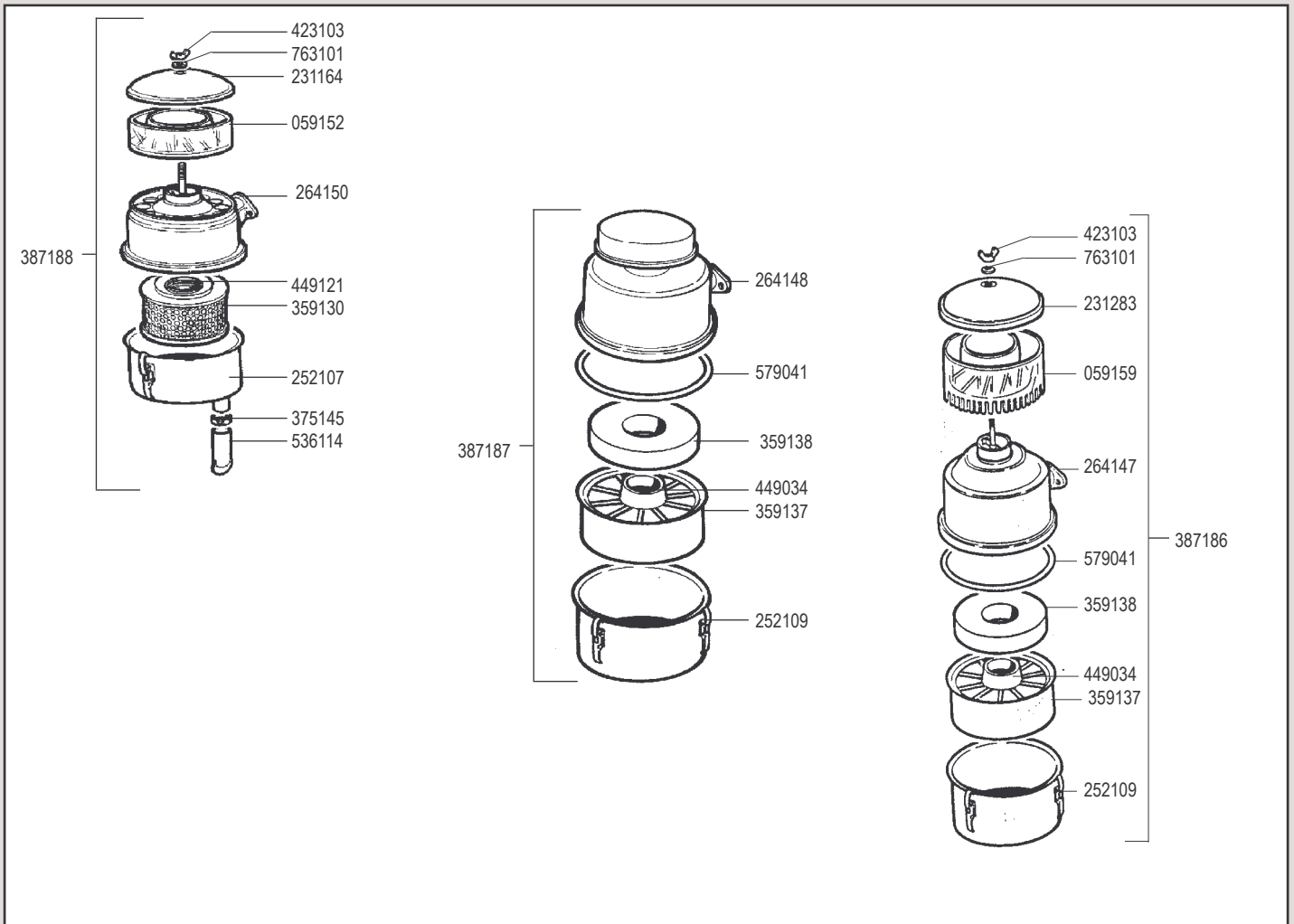
RICAMBI - SPARE PARTS - ERSATZTEILE - PIECES DETACHEES - REPUESTOS

- ADN 37-43
- ADN 45-48-54-60

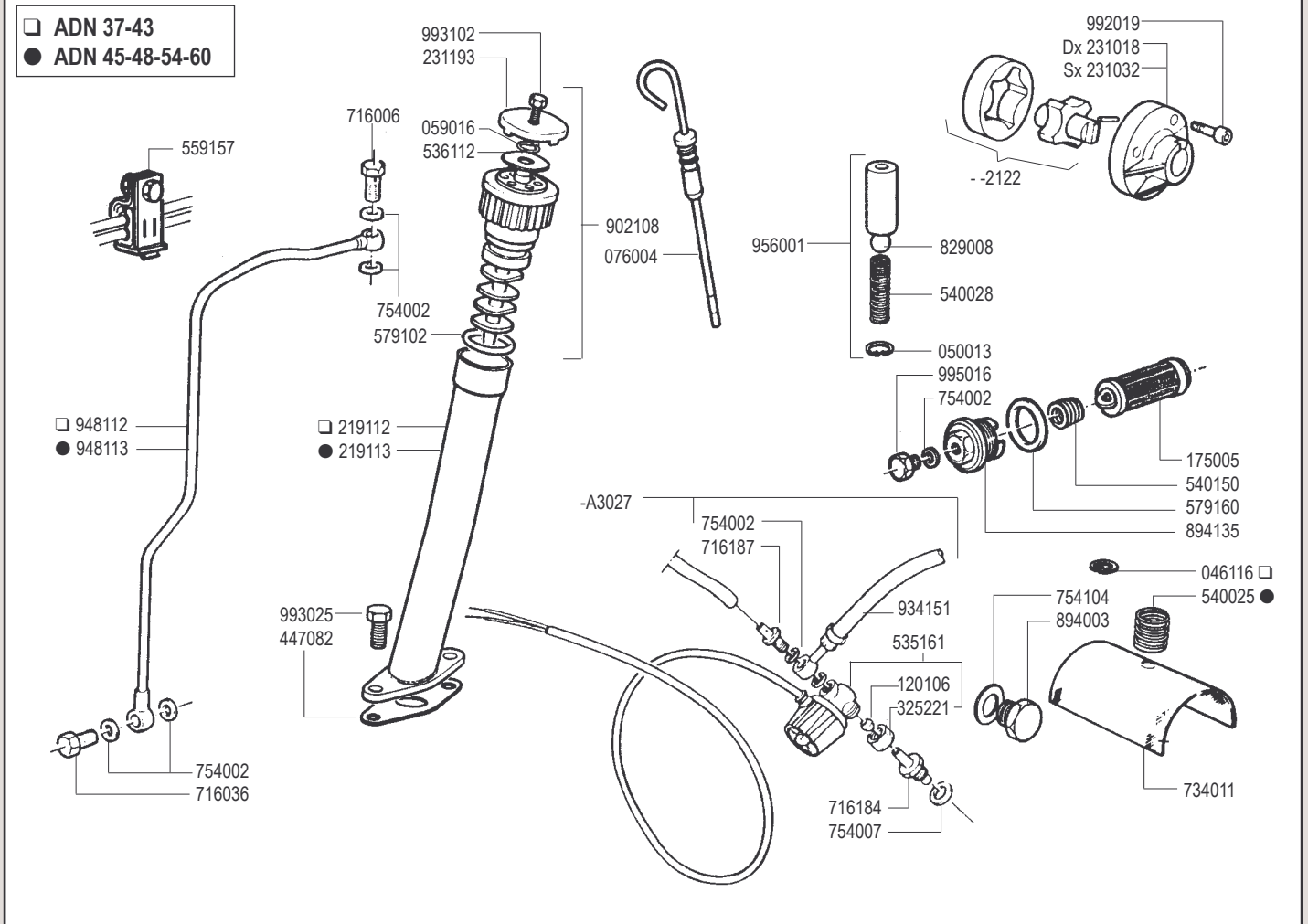


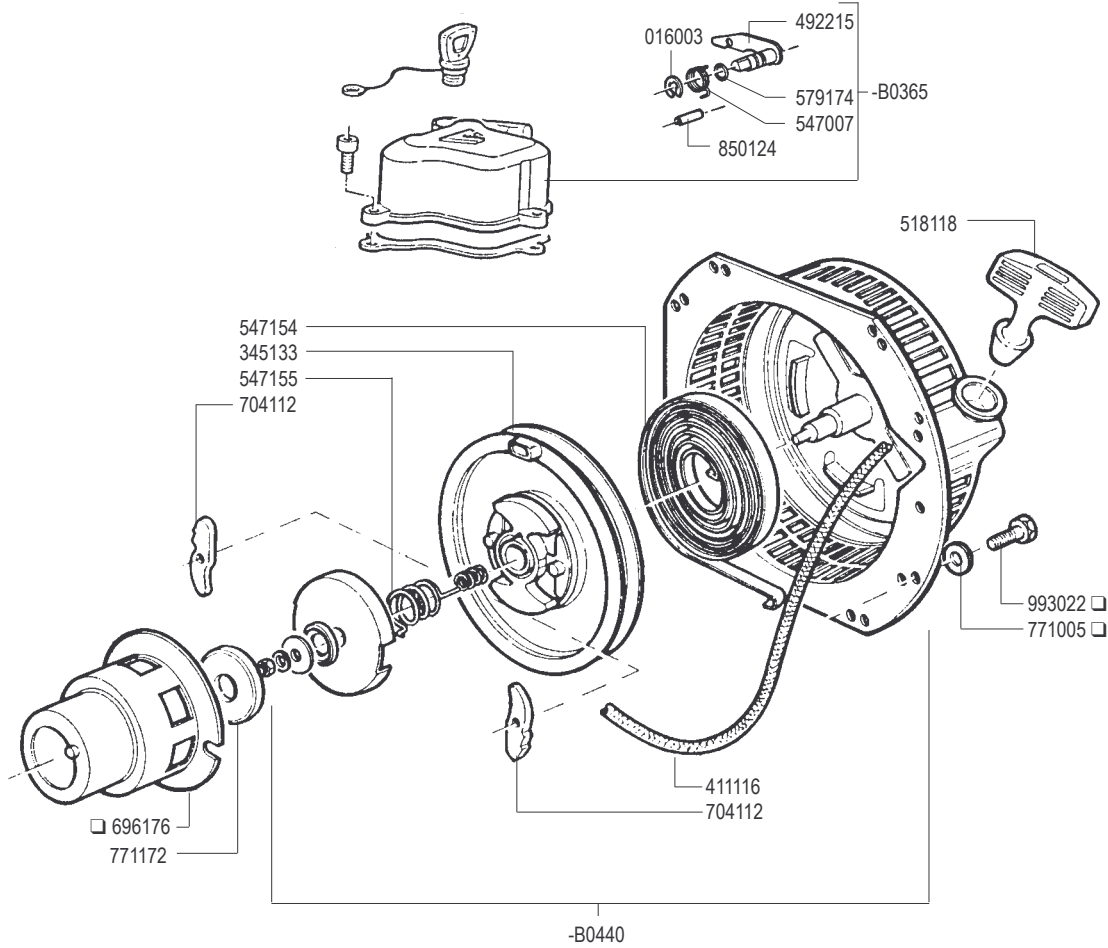
- 227178
- 227136 Dx
- 227135 Sx
- 227176 Sx con foro isp with inspection





RICAMBI - SPARE PARTS - ERSATZTEILE - PIECES DETACHEES - REPUESTOS

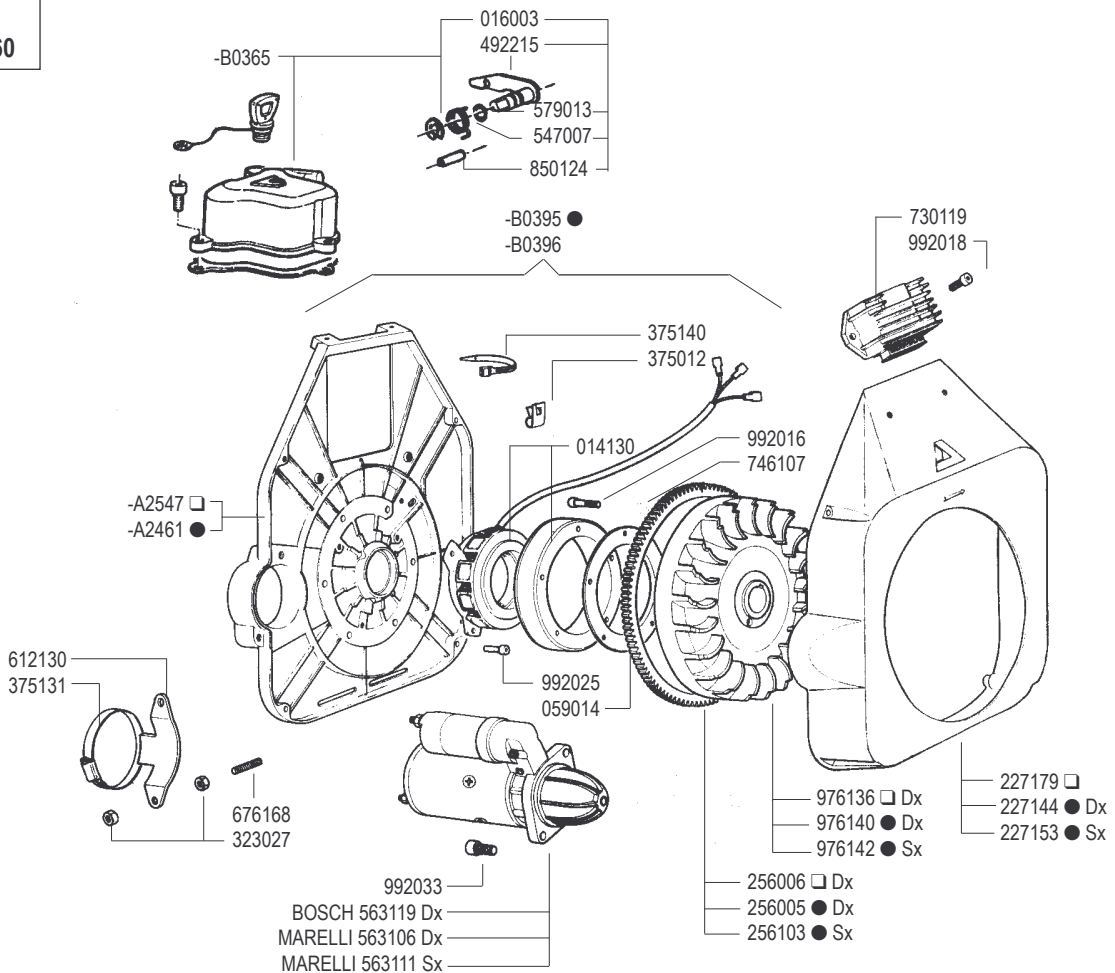




RICAMBI - SPARE PARTS - ERSATZTEILE - PIECES DETACHEES - REPUESTOS

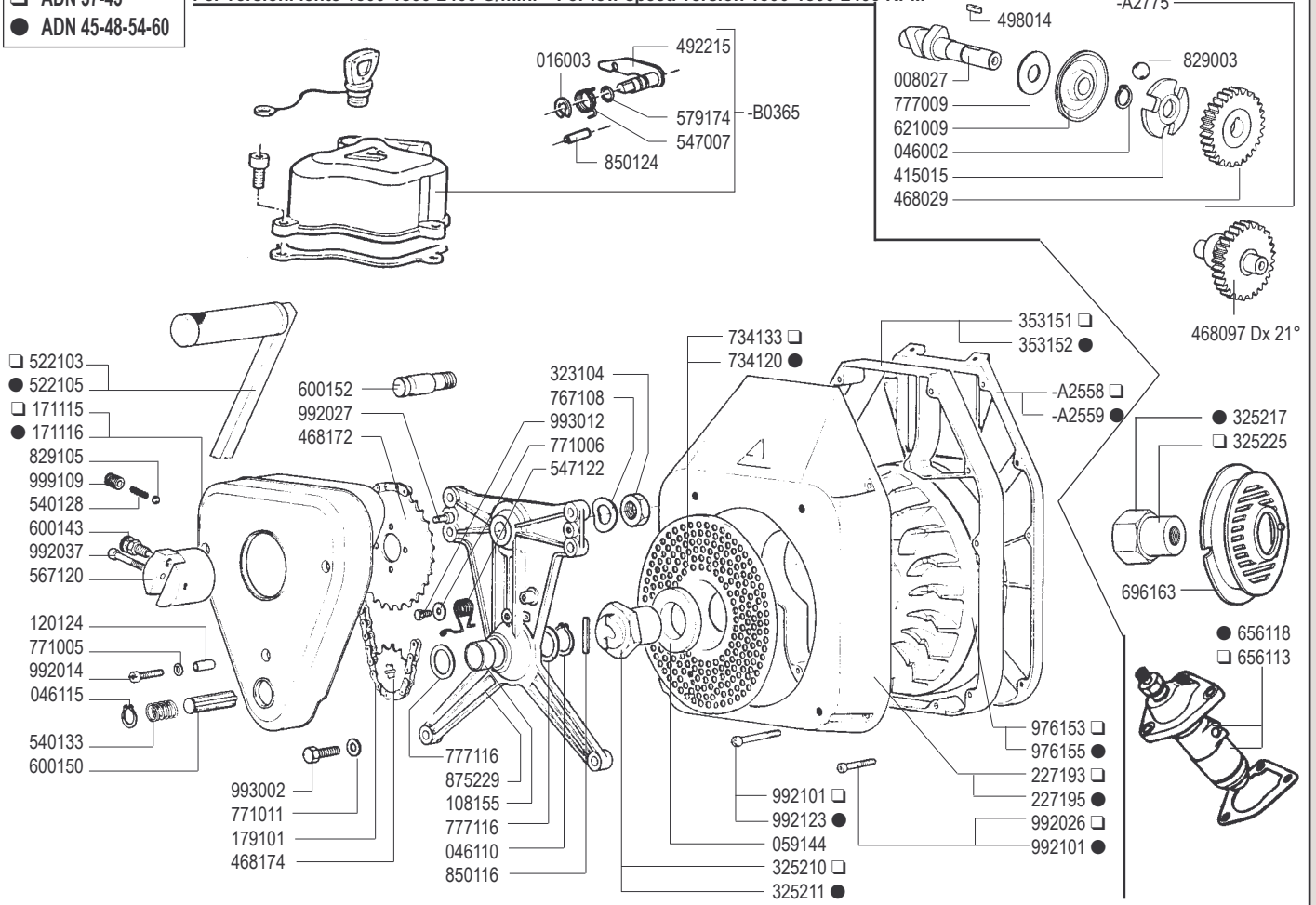


- ADN 37-43
- ADN 45-48-54-60

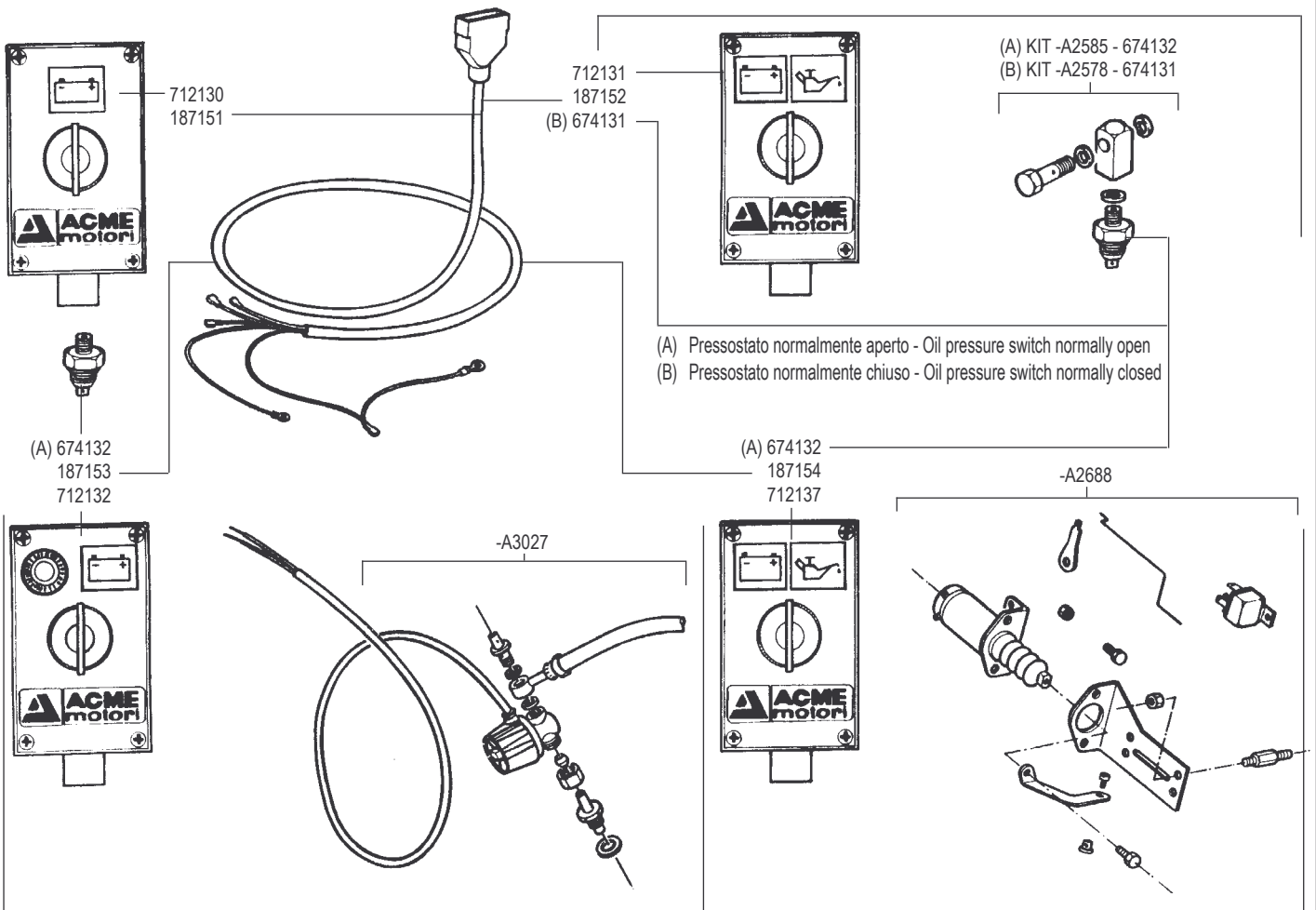


- ADN 37-43
- ADN 45-48-54-60

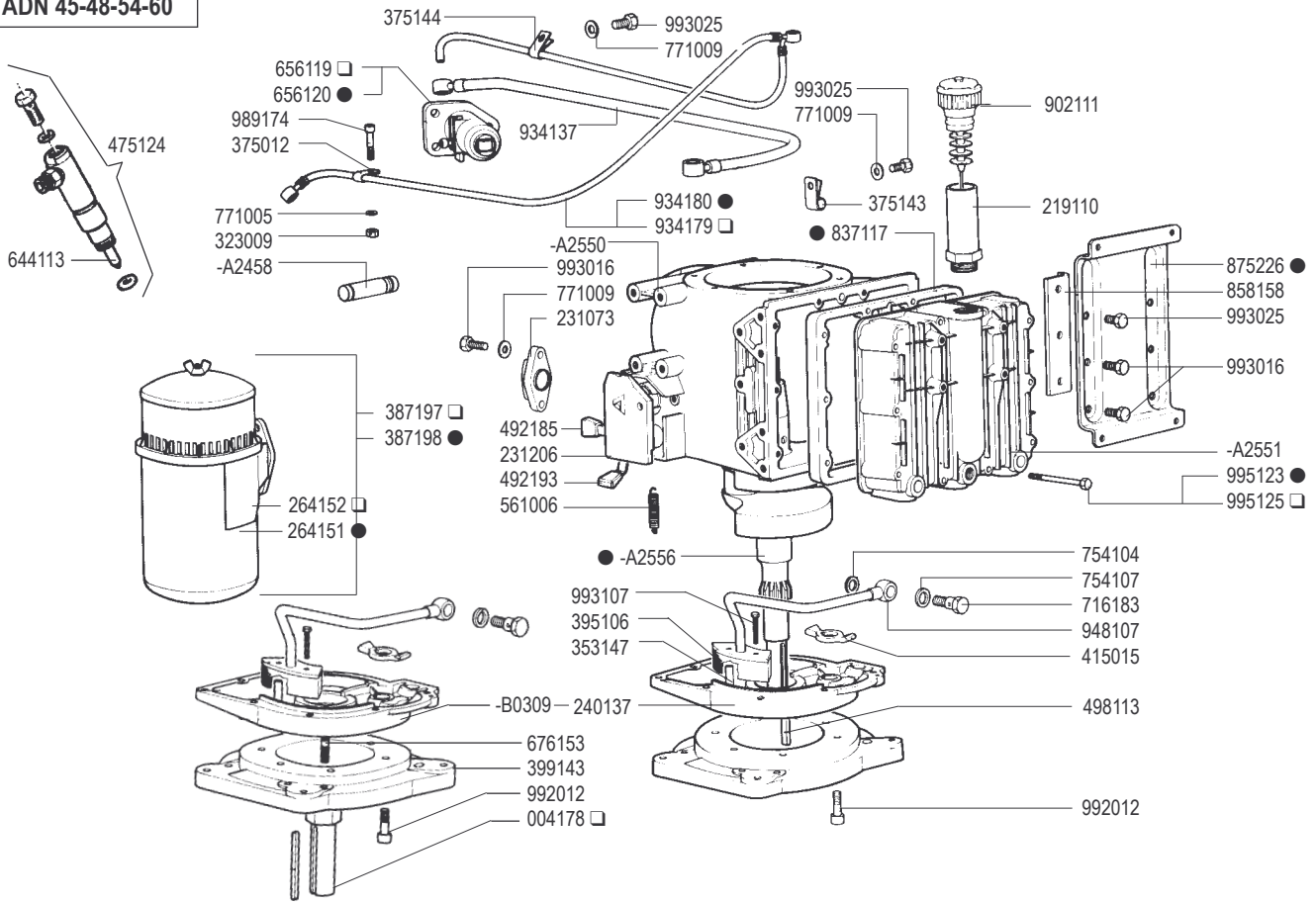
Per versioni lente 1500-1800-2400 G/min. - For low speed version 1500-1800-2400 RPM



RICAMBI - SPARE PARTS - ERSATZTEILE - PIECES DETACHEES - REPUESTOS



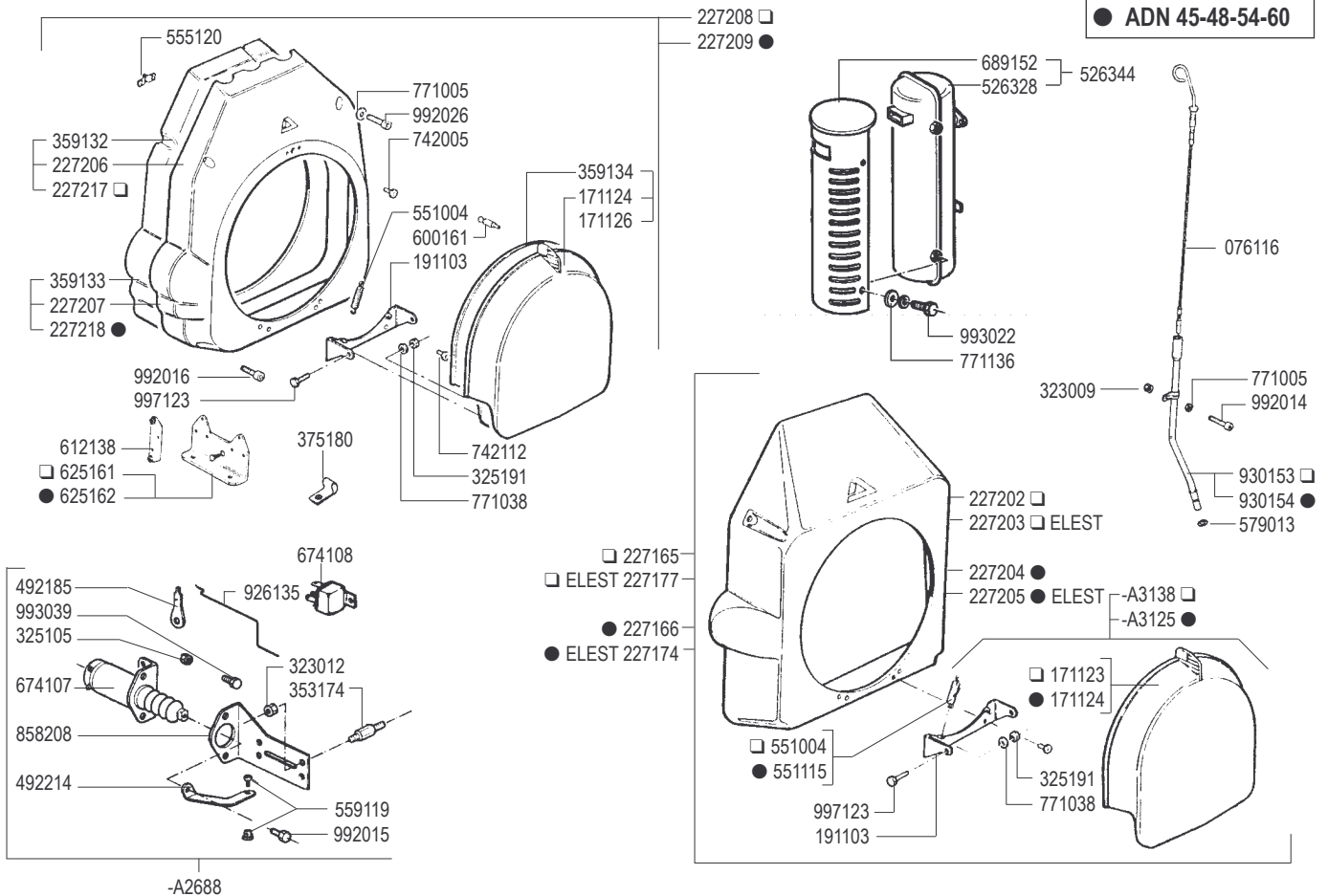
- ADN 37-43
- ADN 45-48-54-60

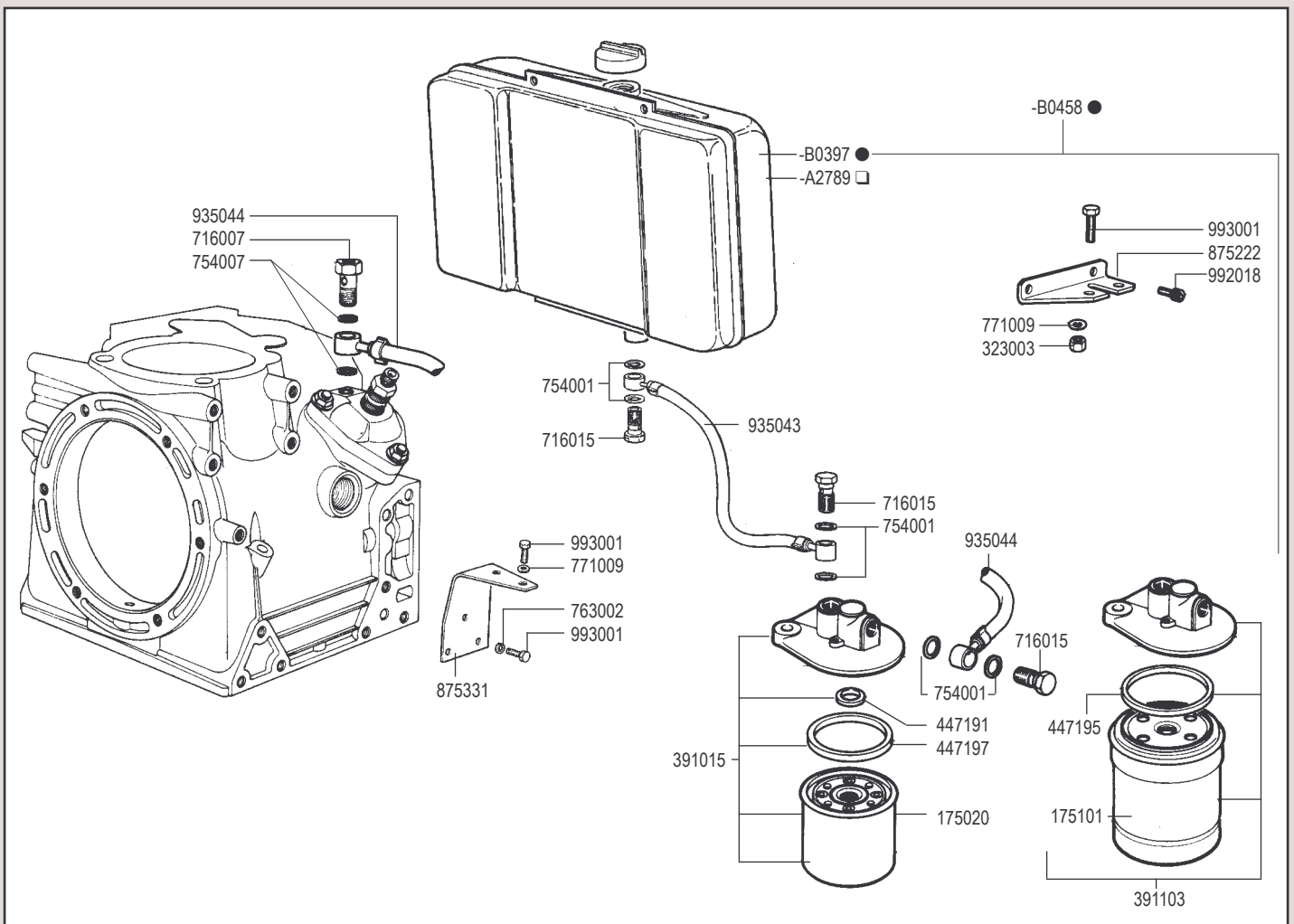


RICAMBI - SPARE PARTS - ERSATZTEILE - PIECES DETACHEES - REPUESTOS

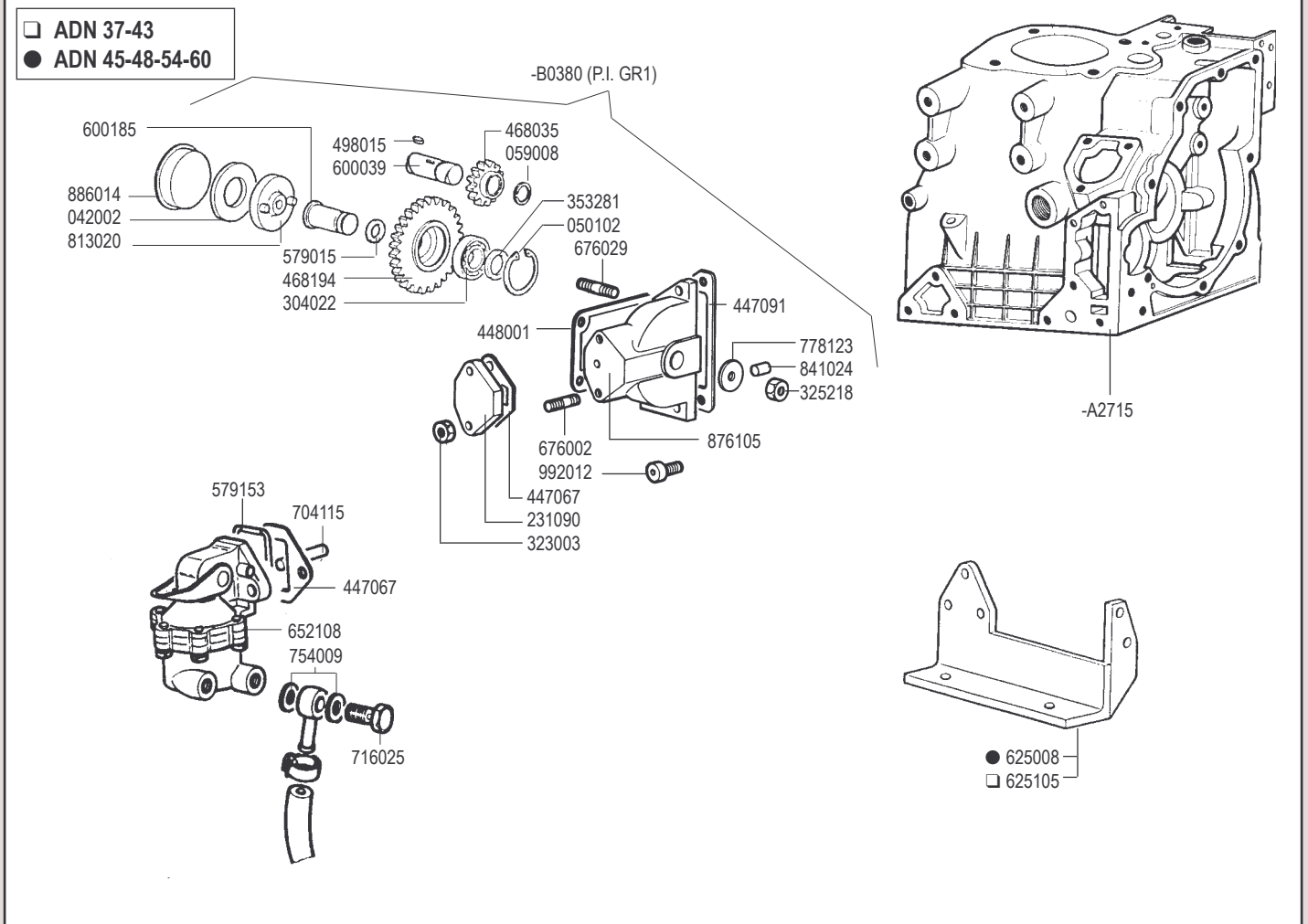


- ADN 37-43
- ADN 45-48-54-60

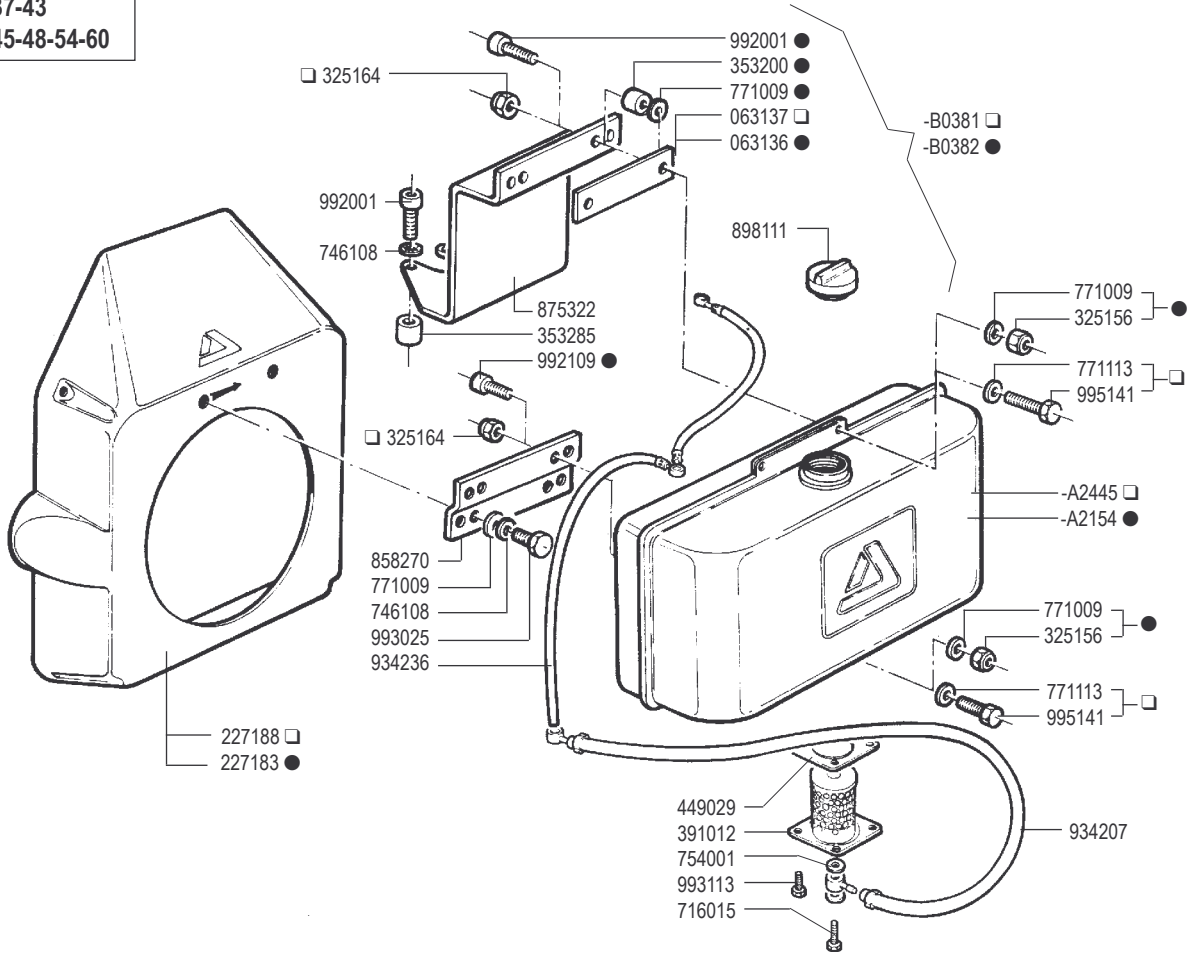




RICAMBI - SPARE PARTS - ERSATZTEILE - PIECES DETACHEES - REPUESTOS



- ADN 37-43
- ADN 45-48-54-60

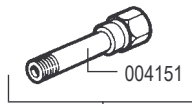
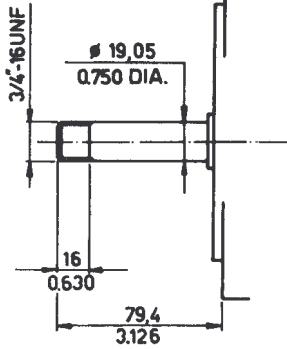


RICAMBI - SPARE PARTS - ERSATZTEILE - PIECES DETACHEES - REPUESTOS



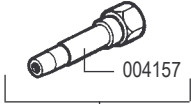
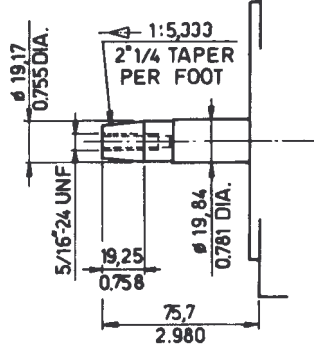
ADN 37-43

PRIMULA



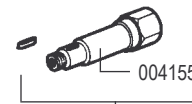
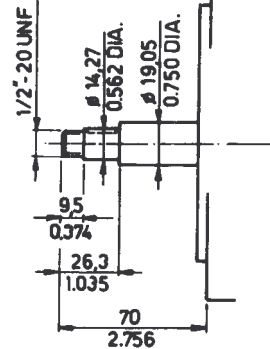
-B0321

PRISMA

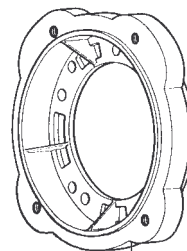
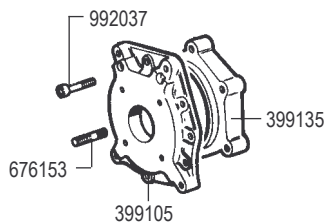


-B0301

PRIMO



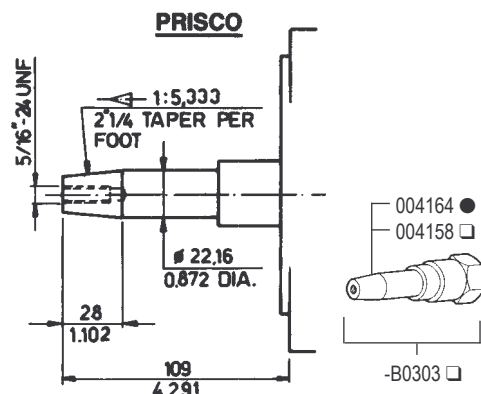
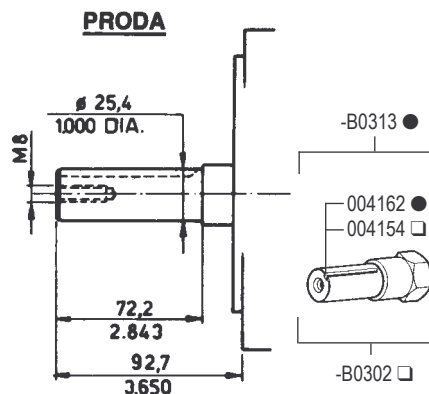
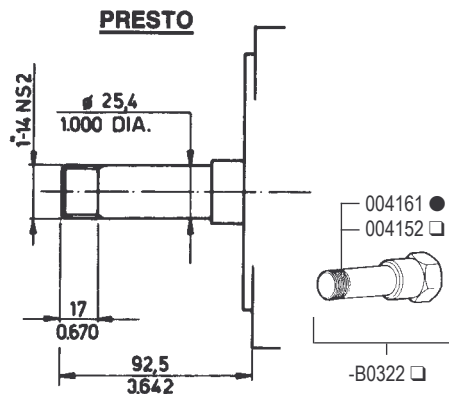
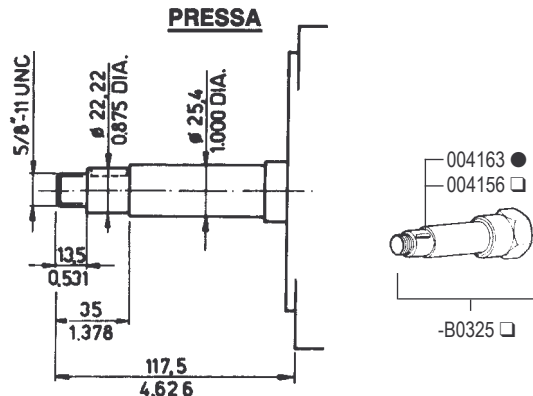
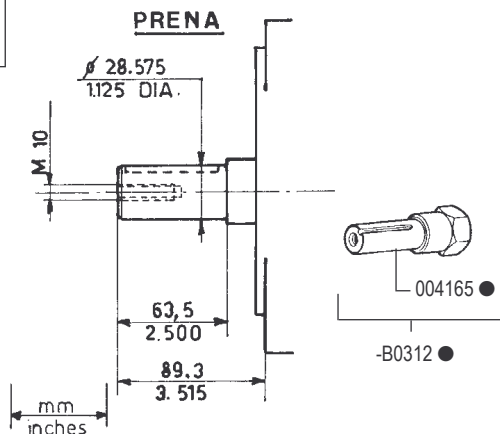
-B0324



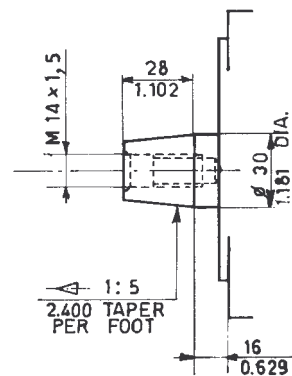
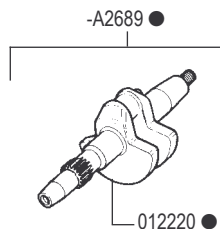
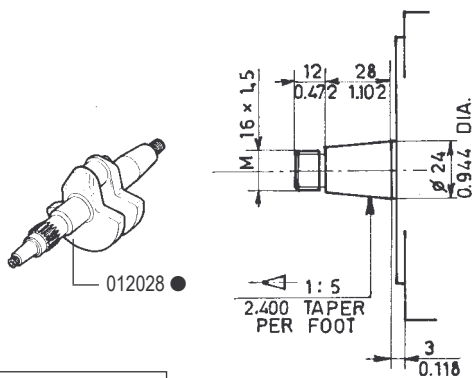
399148 (B&S D. 177,8) ADN 45-48-54-60

399174 (B&S D. 163,5) ADN 45-48-54-60

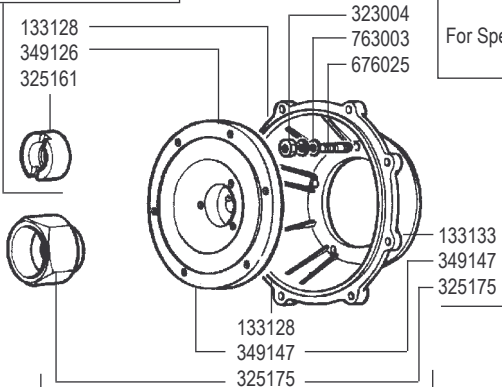
- ADN 37-43
- ADN 45-48-54-60



RICAMBI - SPARE PARTS - ERSATZTEILE - PIECES DETACHEES - REPUESTOS

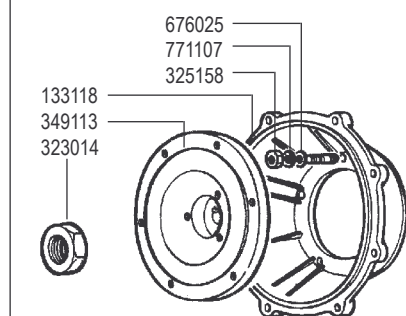


Per versioni A13579 / -A6291
A13578
For Spec. N.-A5983
-A5529

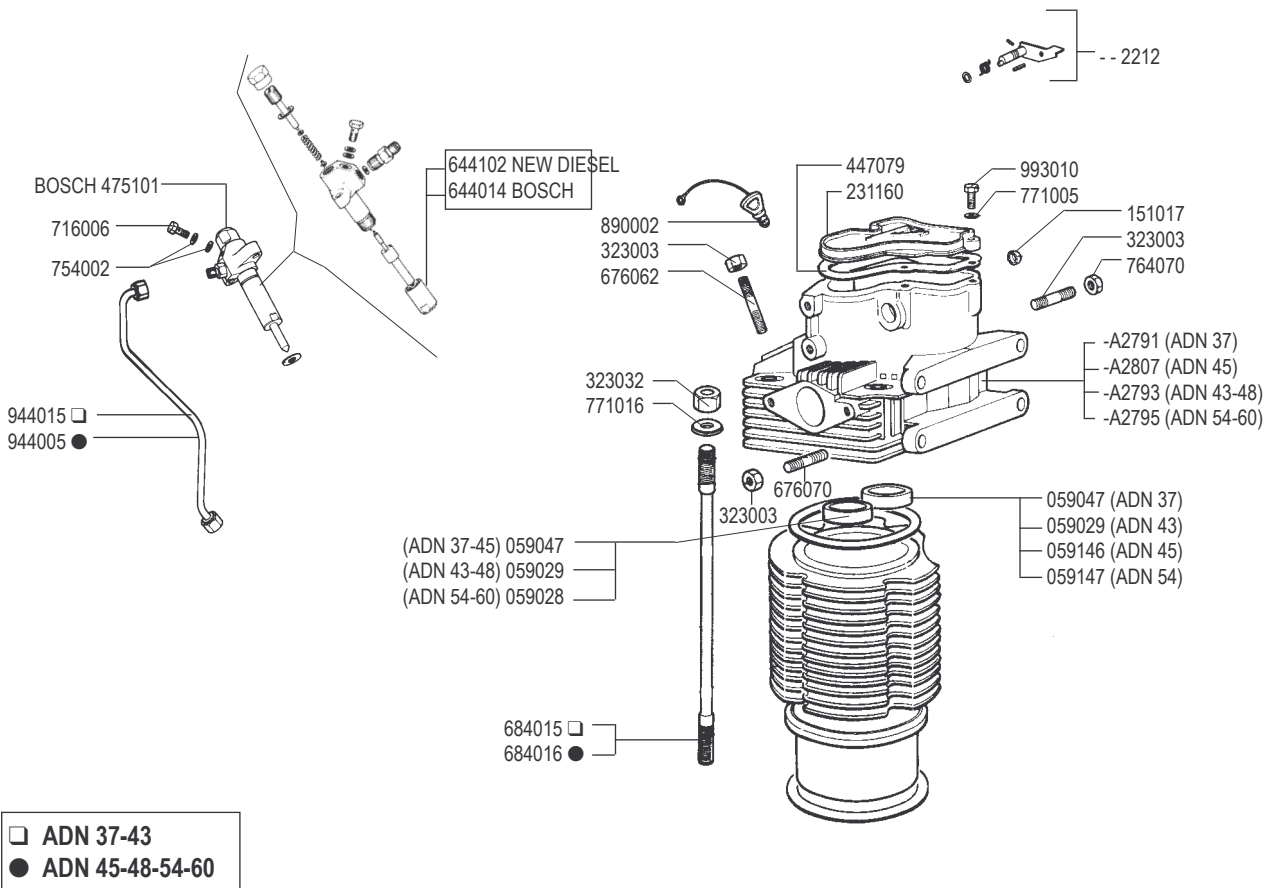


Per versioni -A5861
-A5892
For Spec. N.-A6049
-A6255

Per versioni -A5538 / -A5532
For Spec. N.-A5149 / -A5502



Per versioni -A5712 / -A5973
For Spec. N.-A5761



RICAMBI - SPARE PARTS - ERSATZTEILE - PIECES DETACHEES - REPUESTOS

