

§LDW502M TMC40 2:1 DLX 10MT SUP

Update Date 07/08/2019

Print Date 05/09/2019

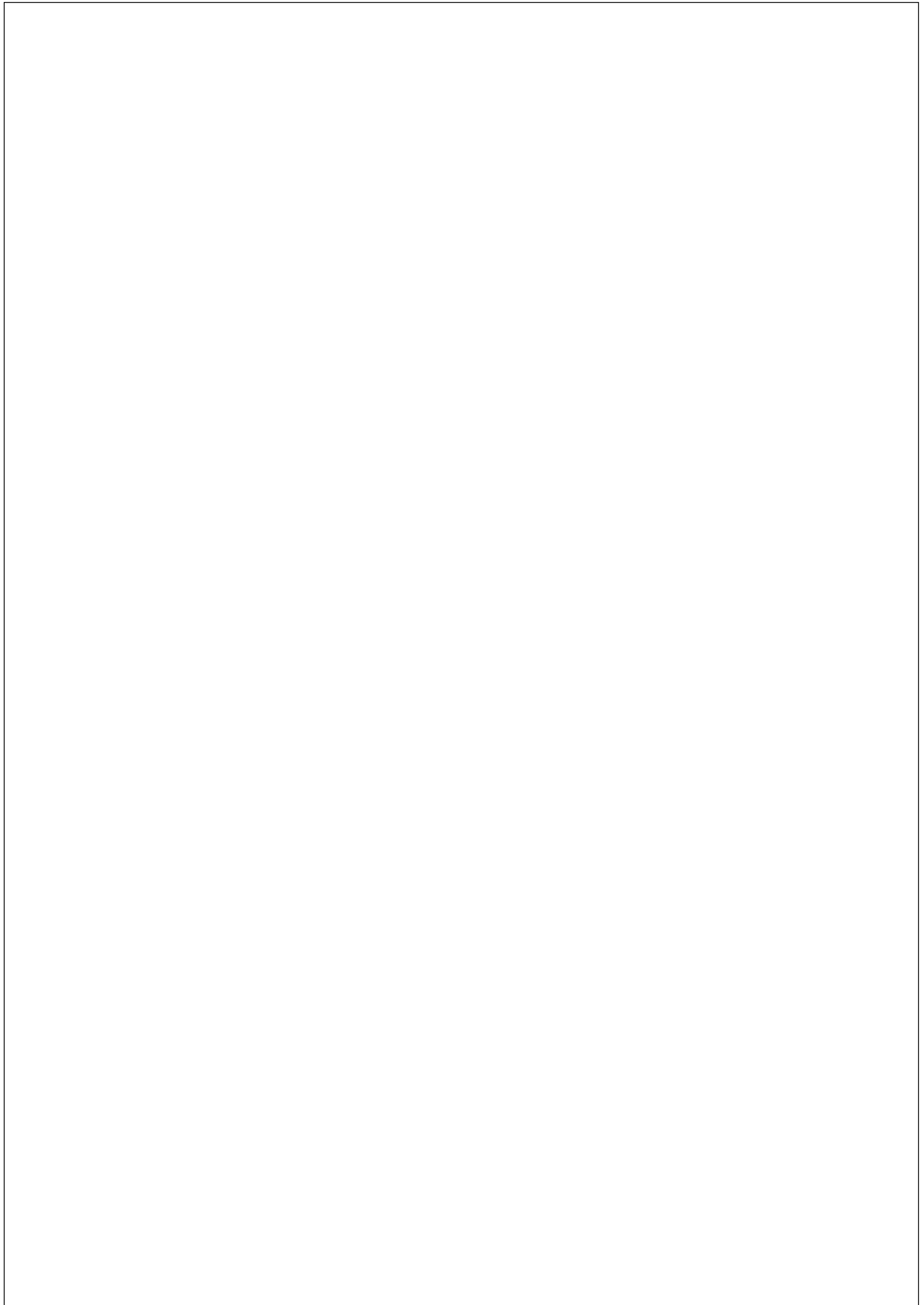
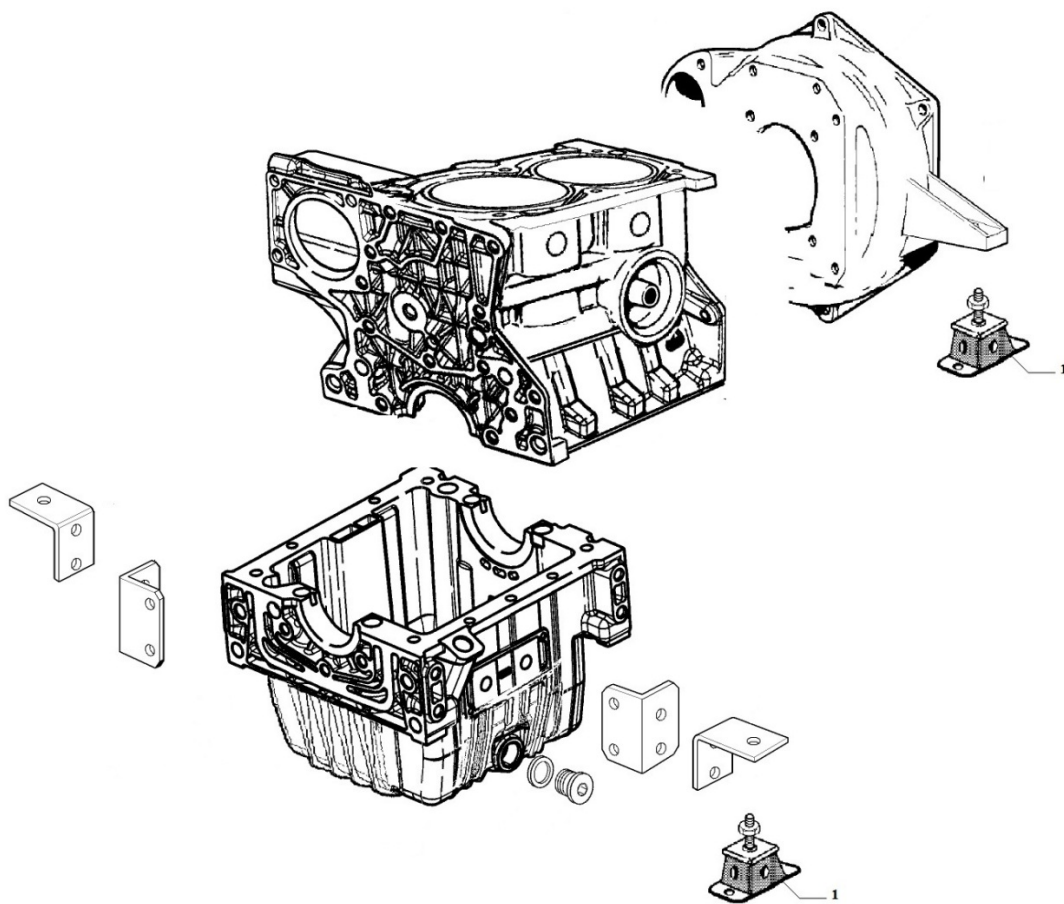


Tavola ricambi

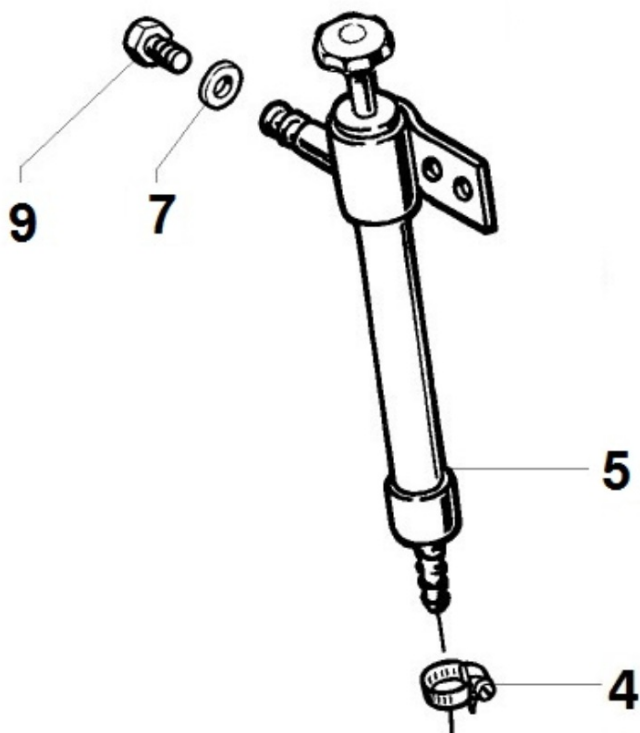
| Index | Description |
|------------|------------------------------|
| ED3B3192 | §LDW502M(#3C8060) |
| 8025321070 | ENGINE MOUNTS |
| 8046320060 | PUMP FOR OIL EXTRACTION |
| 8052320160 | ELECTROVALVE |
| 8064321230 | FUEL LINES |
| 8068320590 | COOLANT HOSES |
| 8073320910 | COOLANT RADIATOR |
| 8077320210 | COOLANT PUMP |
| 8081320560 | AIR FILTER |
| 8087320570 | EXHAUST GAS ACCESSORIES |
| 8103321060 | CONTROL PANEL / ENGINE WIRES |
| 8103321810 | CONTROL PANEL / ENGINE WIRES |
| 8185320090 | CLUTCH |
| 8186320030 | REDUCTION GEAR |
| 8198329040 | SPECIAL DETACHED COMPONENTS |

8025321070 - ENGINE MOUNTS



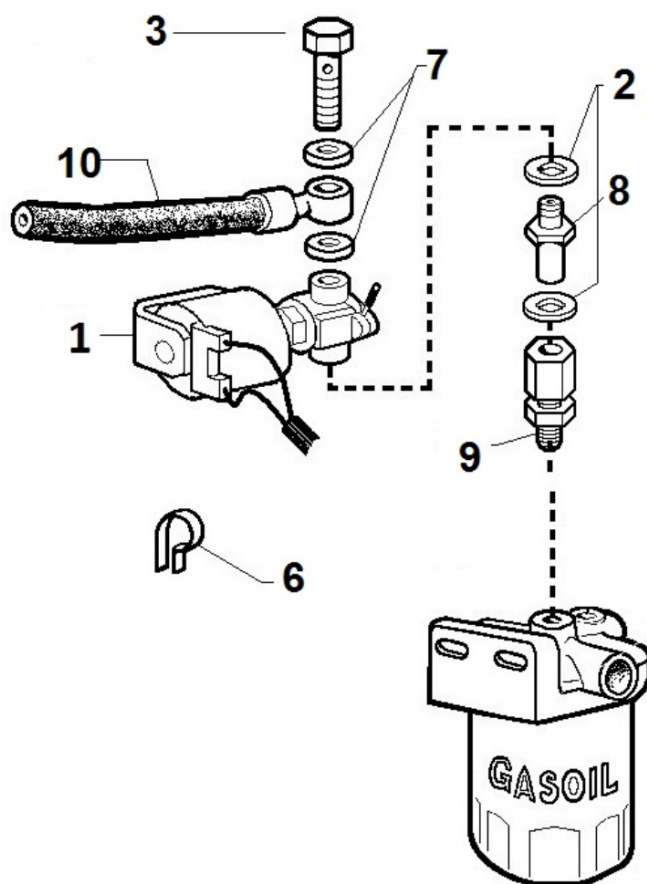
| Pos | Kit | Included In | Code | Description | Qty | Old Code | Tech. Info |
|-----|-----|-------------|----------------|--------------|-----|----------|------------|
| 1 | | | ED0086362660-S | SILENT BLOCK | 4 | | |

8046320060 - PUMP FOR OIL EXTRACTION



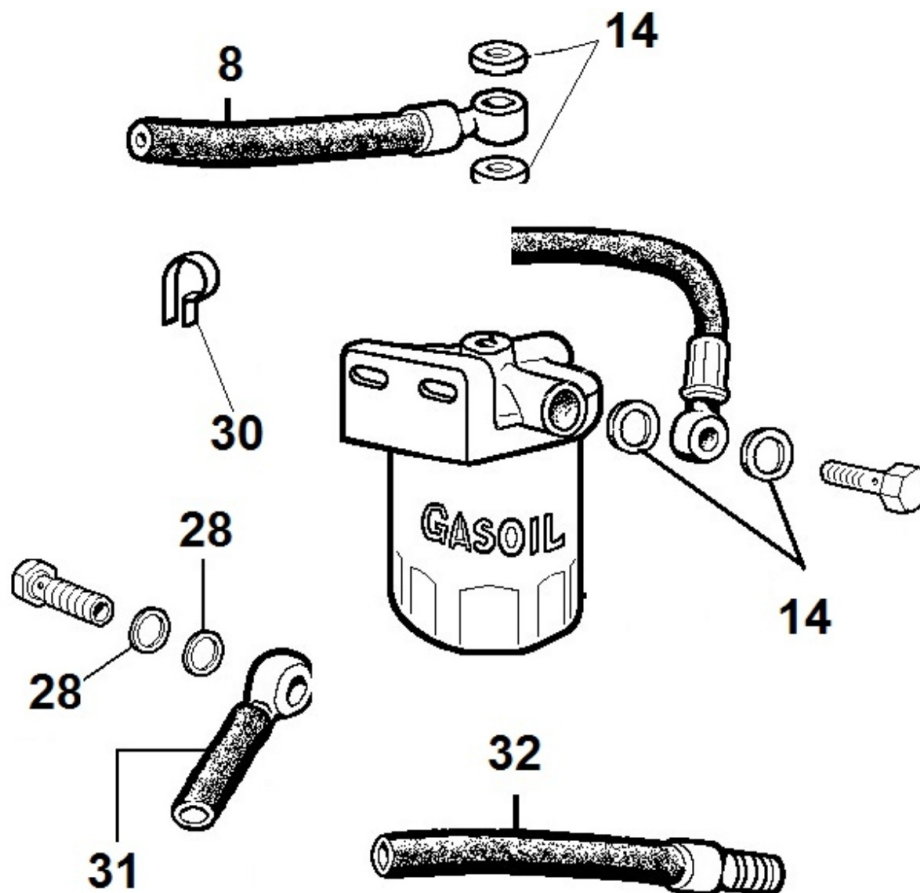
| Pos | Kit | Included In | Code | Description | Qty | Old Code | Tech. Info |
|-----|-----|-------------|----------------|------------------------------------------|-----|----------|------------|
| 4 | | | ED0036301290-S | CLAMP | 1 | | |
| 5 | | | ED0065950210-S | POMPA ESTRAZ. OLIO AB TRASM. PER LMG4000 | 1 | | |

8052320160 - ELECTROVALVE



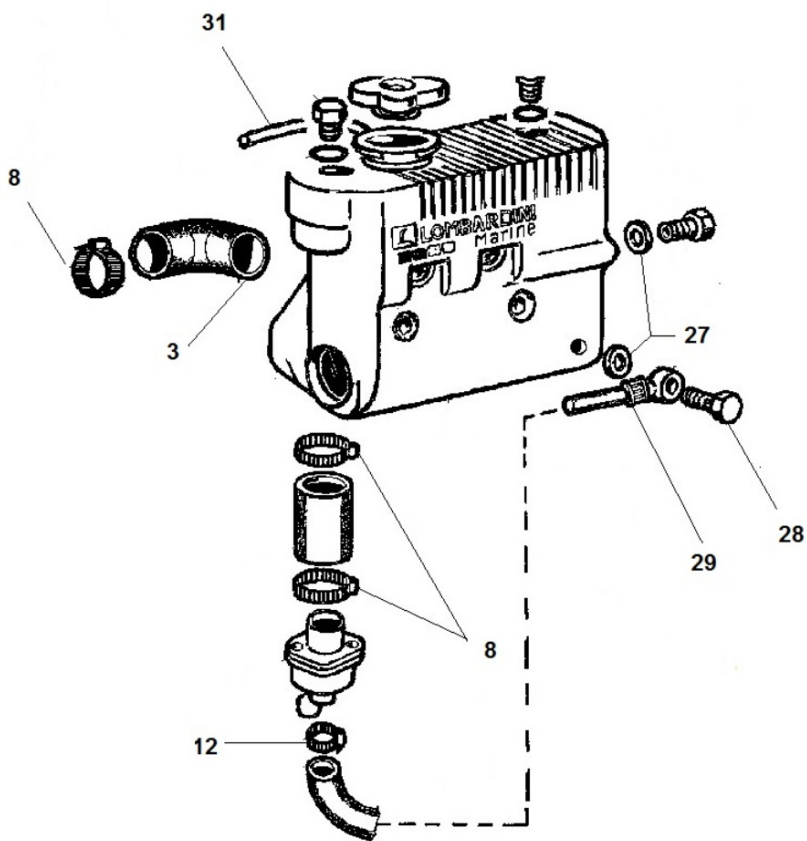
| Pos | Kit | Included In | Code | Description | Qty | Old Code | Tech. Info |
|-----|-----|-------------|----------------|--------------------------------|-----|----------|------------|
| 1 | | | ED0035871970-S | SOLENOID VALVE | 1 | | |
| 2 | | | ED0046700590-S | COPPER WASHER D14/10.2 1. | 3 | | |
| 3 | | | ED0019011150-S | UNION BOLT | 1 | | |
| 6 | | | ED0036301700-S | CLAMP | 1 | | |
| 7 | | | ED0046700610-S | COPPER WASHER D19/14.2 1.5 THK | 1 | | |
| 8 | | | ED0073303140-S | JOINT | 1 | | |
| 9 | | | ED0073303150-S | JOINT | 1 | | |
| 10 | | | ED0093757480-S | FUEL PIPE | 1 | | |

8064321230 - FUEL LINES



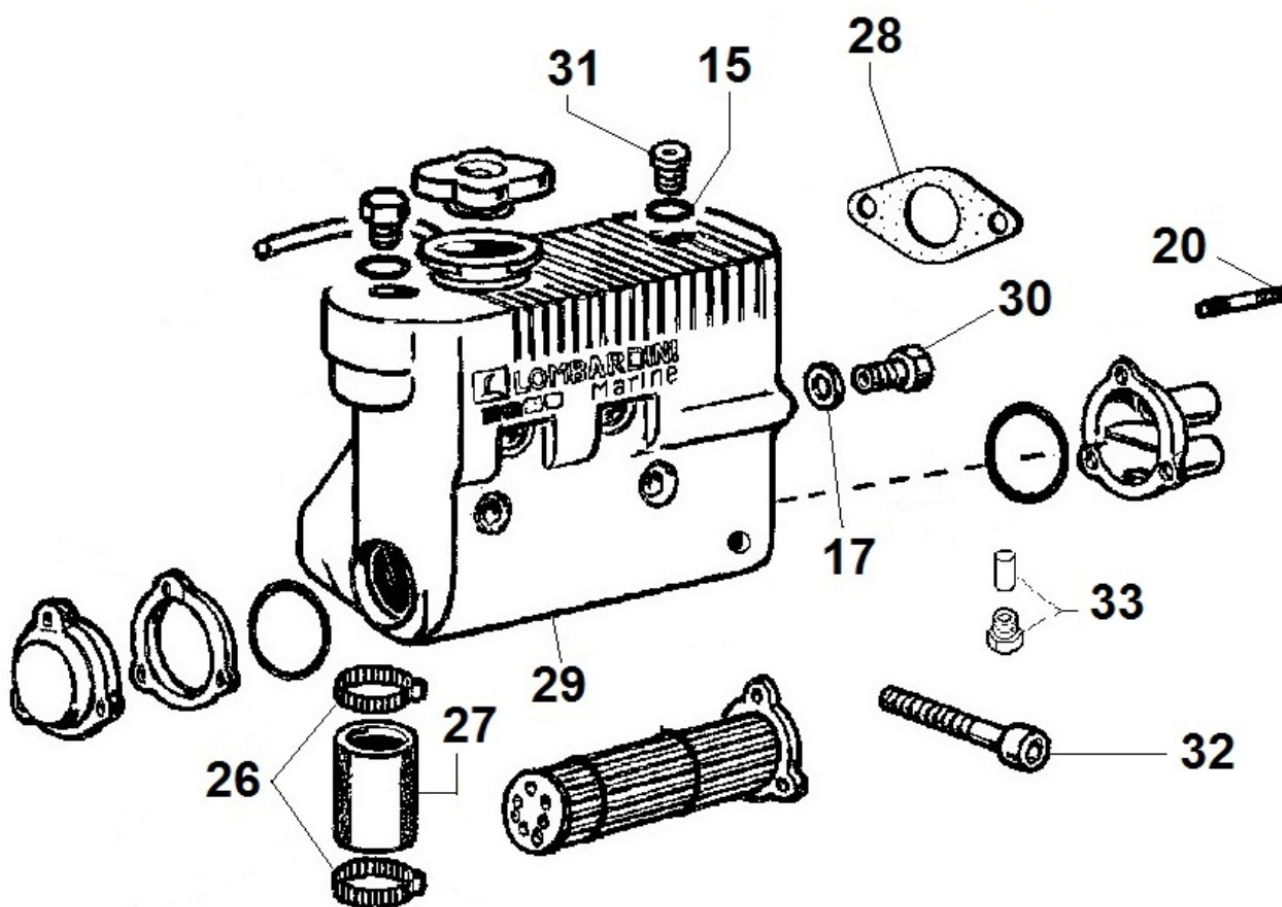
| Pos | Kit | Included In | Code | Description | Qty | Old Code | Tech. Info |
|-----|-----|-------------|----------------|------------------------------------------|-----|----------|------------|
| 14 | | | ED0046700610-S | COPPER WASHER D19/14.2 1.5 THK | 2 | | |
| 28 | | | ED0046700590-S | COPPER WASHER D14/10.2 1. | 2 | | |
| 30 | | | ED0036301700-S | CLAMP | 1 | | |
| 31 | | | ED0093759090-S | FUEL PIPE BETWEEN FUEL PUMP-TANK.(D9-D7) | 1 | | |
| 32 | | | ED0095701020-S | FUEL HOSE | 1 | | |

8068320590 - COOLANT HOSES



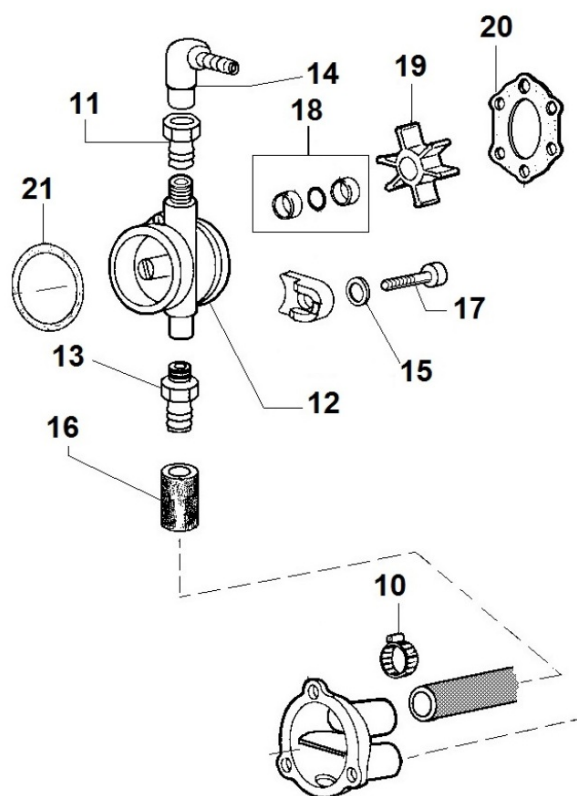
| Pos | Kit | Included In | Code | Description | Qty | Old Code | Tech. Info |
|-----|-----|-------------|-----------------|--------------------------------|-----|----------|------------|
| 3 | | | ED0093400170-S | TUBE | 1 | | |
| 8 | | | ED0036301280-S | CLAMP | 2 | | |
| 12 | | | ED0036301290-S | CLAMP | 1 | | |
| 13 | | | ED00933050990-S | WATER HOSE | 1 | | |
| 27 | | | ED0046700610-S | COPPER WASHER D19/14.2 1.5 THK | 2 | | |
| 28 | | | ED0019011190-S | UNION BOLT | 1 | | |
| 39 | | | ED0095800450-S | PIPE | 1 | | |

8073320910 - COOLANT RADIATOR



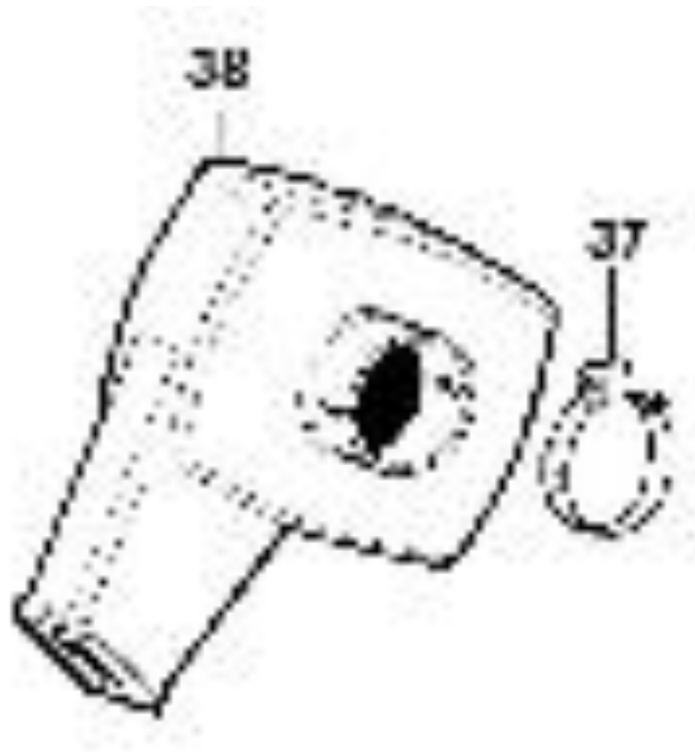
| Pos | Kit | Included In | Code | Description | Qty | Old Code | Tech. Info |
|-----|-----|-------------|----------------|--------------------------------|-------|----------------|------------|
| 0 | | | ED0073500110-S | EXCHANGE LDW502M-702M BRONZE | 1 | | |
| 17 | | | ED0046700610-S | COPPER WASHER D19/14.2 1.5 THK | 1 | | |
| 20 | | | ED0067801420-S | STUD | 2 | | |
| 21 | | | ED0097304100-S | ALLEN SCREW | 4 | | |
| 26 | | | ED0036301280-S | CLAMP | 2 | | |
| 27 | | | ED0096020720-S | PIPE | 1 | | |
| 28 | | | ED0045001020-S | GASKET | 1 | | |
| 29 | B | | ED0073500110-S | EXCHANGE LDW502M-702M BRONZE | 1 | ED0073503240-S | |
| 33 | | (B) | ED0090802150-S | CAP | 1 | | |
| 34 | | | ED0044200700-S | GASKET | 2/3/4 | | |
| 35 | | (B) | ED0035275700-S | SPACER | 1 | | |
| 36 | | (B) | ED0012002650-S | O-RING | 4 | | |
| 37 | | (B) | ED0026550300-S | COVER | 1 | | |
| 38 | | (B) | ED0097302110-S | ALLEN SCREW | 3 | | |
| 39 | | (B) | ED0090001140-S | CAP | 1 | | |
| 40 | | (B) | ED0093400340-S | TUBE NEST | 1 | | |
| 43 | | (B) | ED0090400370-S | CAP | 1 | | |
| 48 | | | ED0090802200-S | CAP | 1 | | |
| 49 | | | ED0046700590-S | COPPER WASHER D14/10.2 1. | 1 | | |

8077320210 - COOLANT PUMP



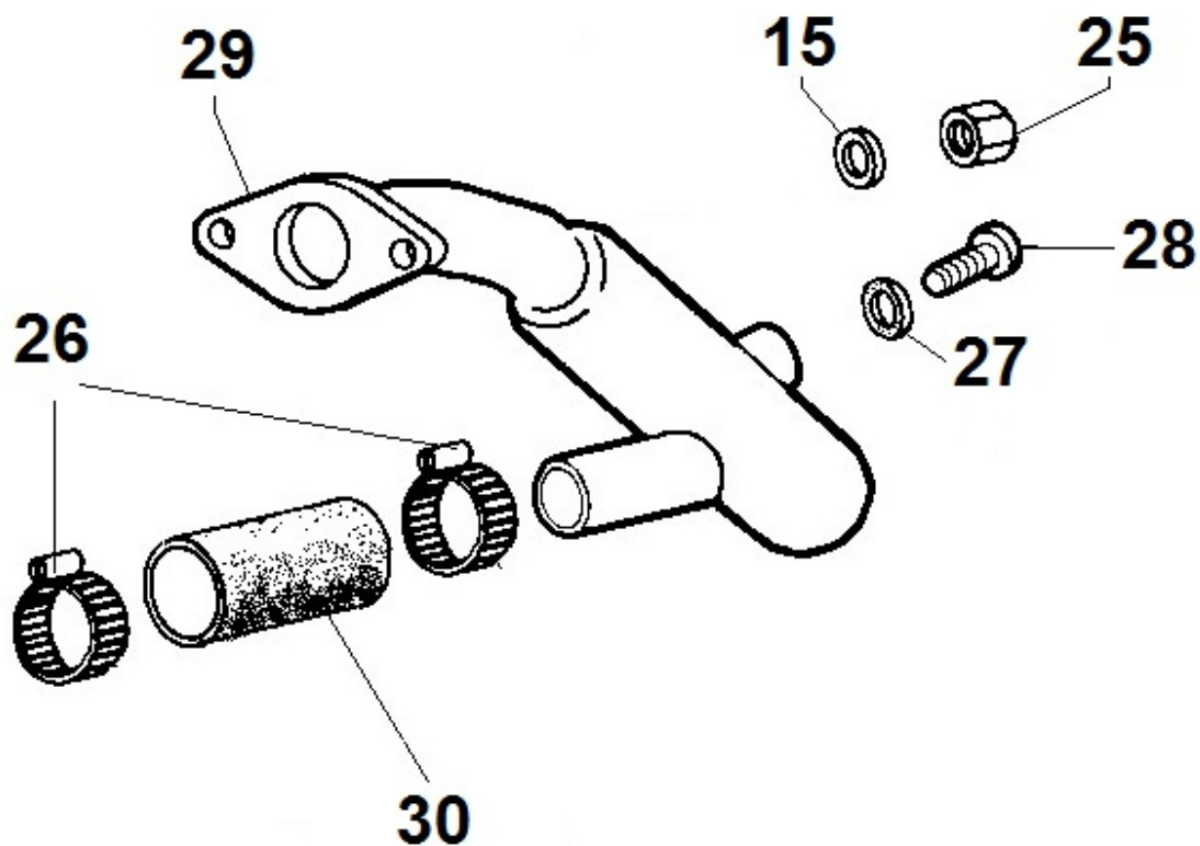
| Pos | Kit | Included In | Code | Description | Qty | Old Code | Tech. Info |
|-----|-----|-------------|----------------|-------------|-----|----------|------------|
| 10 | | | ED0036301110-S | CLAMP | 2 | | |
| 11 | | | ED0059530720-S | NIPPLE | 1 | | |
| 12 | A | | ED0065845100-S | WATER PUMP | 1 | | |
| 13 | | | ED0073302450-S | JOINT | 1 | | |
| 14 | | | ED0073302840-S | JOINT | 1 | | |
| 15 | | (A) | ED0076252090-S | WASHER | 2 | | |
| 16 | | | ED0096021700-S | PIPE | 1 | | |
| 17 | | | ED0097302200-S | ALLEN SCREW | 2 | | |
| 18 | | (A) | ED0081500280-S | O RING KIT | 1 | | |
| 19 | | (A) | ED0042002040-S | IMPELLER | 1 | | |
| 20 | | (A) | ED0047754980-S | GASKET | 1 | | |
| 21 | | (A) | ED0012002330-S | O-RING | 1 | | |

8081320560 - AIR FILTER




| Pos | Kit | Included In | Code | Description | Qty | Old Code | Tech. Info |
|-----|-----|-------------|----------------|-------------|-----|----------|------------|
| 37 | | | ED0036301520-S | CLAMP | 1 | | |
| 38 | | | ED0037003330-S | AIR FILTER | 1 | | |

8087320570 - EXHAUST GAS ACCESSORIES

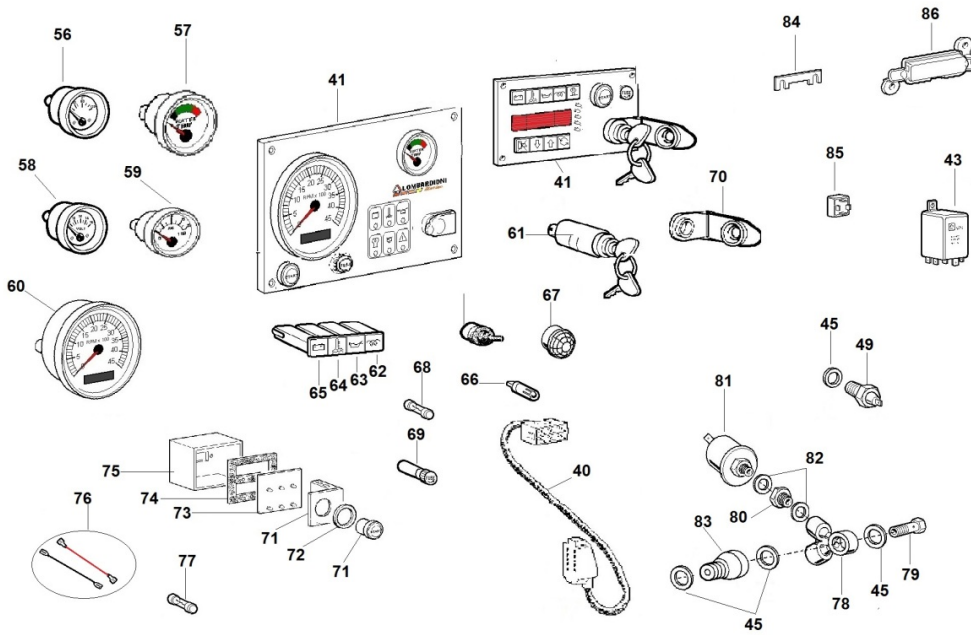


| Pos | Kit | Included In | Code | Description | Qty | Old Code | Tech. Info |
|-----|-----|-------------|----------------|--------------------------------|-----|----------|------------|
| 0 | | | ED0090400370-S | CAP | 1 | | |
| 15 | | | ED0075650480-S | WASHER | 2 | | |
| 25 | | | ED0032401400-S | NUT | 2 | | |
| 26 | | | ED0036301110-S | CLAMP | 2 | | |
| 27 | | | ED0046700610-S | COPPER WASHER D19/14.2 1.5 THK | 1 | | |
| 29 | | | ED0095430690-S | EXHAUST PIPE | 1 | | |
| 30 | | | ED0096021000-S | PIPE | 1 | | |

8103321060 - CONTROL PANEL / ENGINE WIRES

| Pos | Kit | Included In | Code | Description | Qty | Old Code | Tech. Info |
|-----|-----|-------------|----------------|--------------------------------|-----|----------------|-------------------------------------------------------------------------------------|
| 0 | | | ED0091801720-S | CABLE END | 3 | | |
| 0 | | | ED0089000020-S | SUPPORT | 1 | | |
| 0 | | | ED0059970620-S | GROMMET | 3 | | |
| 0 | | | ED0024710190-S | CABLE TIE | 6 | | |
| 0 | | | ED0021860950-S | CABLE | 2 | |  |
| 0 | | | ED0015571740-S | JUNCTION BLOCK | 1 | | |
| 0 | | | ED0015571750-S | JUNCTION BLOCK | 1 | | |
| 2 | | | ED0032400080-S | NUT | 1 | | |
| 42 | | | ED0021861920-S | CABLE | 1 | | |
| 43 | | | ED0021931340-S | GLOW PLUG MODULE | 1 | | |
| 44 | | | ED0025011200-S | HOLLOW STUD | 2 | | |
| 45 | | | ED0046700600-S | COPPER WASHER | 1 | | |
| 46 | | | ED0075650480-S | WASHER | 2 | | |
| 47 | | | ED0076252090-S | WASHER | 2 | | |
| 48 | | | ED0089006950-S | SUPPORT | 1 | ED0089006360-S | |
| 49 | | | ED0091950830-S | TRANSDUCER | 1 | | |
| 50 | | | ED0017701230-S | BOLT | 2 | | |
| 51 | | | ED0075650490-S | WASHER | 1 | | |
| 52 | | | ED0075650500-S | WASHER | 2 | | |
| 53 | | | ED0090400370-S | CAP | 1 | | |
| 54 | | | ED0046700610-S | COPPER WASHER D19/14.2 1.5 THK | 1 | | |
| 88 | | | ED0015571240-S | JUNCTION BLOCK | 1 | | |
| 89 | | | ED0075650510-S | WASHER | 3 | | |

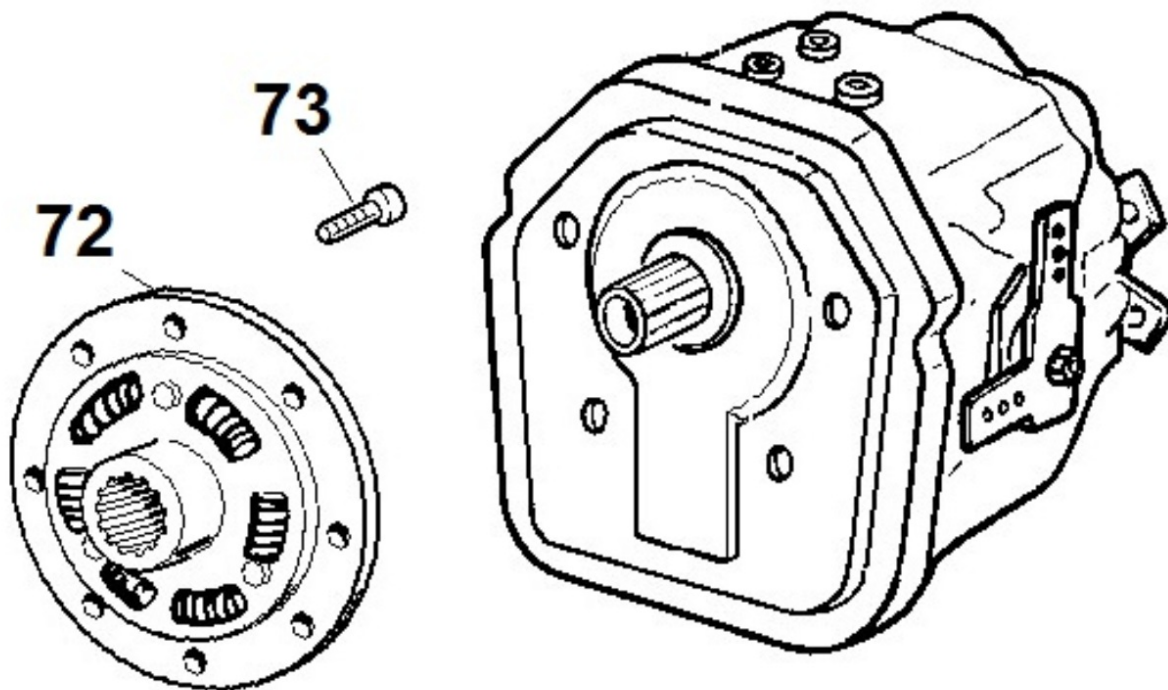
8103321810 - CONTROL PANEL / ENGINE WIRES



| Pos | Kit | Included In | Code | Description | Qty | Old Code | Tech. Info |
|-----|-----|-------------|----------------|----------------------------------------|-----|----------------|------------|
| 0 | | | KDISC. | | 1 | ED0004940040-S | |
| 40 | | | ED0069000940-S | EXTENSION | 1 | | |
| 41 | | | ED0072454560-S | PANEL | 1 | | |
| 56 | | | ED0098970570-S | VOLTMETER | 1 | | |
| 57 | | | ED0091951120-S | WATER TEMP. METER | 1 | | |
| 58 | | | ED0091951130-S | OIL TEMP. METER | 1 | | |
| 59 | | | ED0067450690-S | PRESSURE SWITCH | 1 | | |
| 60 | | | ED0025290310-S | TACHOMETER | 1 | | |
| 61 | | | ED0050412420-S | SWITCH | 1 | | |
| 62 | | | ED0066120940-S | BULB SOCKET | 1 | | |
| 63 | | | ED0066120970-S | BULB SOCKET | 1 | | |
| 64 | | | ED0066120960-S | BULB SOCKET | 1 | | |
| 65 | | | ED0066120950-S | BULB SOCKET | 1 | | |
| 66 | | | ED0051751620-S | BULB | 1 | | |
| 67 | | | ED0085780080-S | BELL | 1 | | |
| 68 | | | ED0040622230-S | FUSE | 1 | | |
| 69 | | | KDISC. | | 1 | ED0066080550-S | |
| 70 | | | ED0027501110-S | COVER | 1 | | |
| 71 | | | ED0071951460-S | PUSH BOTTON | 1 | | |
| 72 | | | ED0013013890-S | RING | 1 | | |
| 73 | | | ED0024570140-S | CIRCUITO STAMP. SPIE QUADRO DLX S.G.S. | 1 | | |
| 74 | | | ED0047757190-S | GASKET | 1 | | |
| 76 | | | ED0021862470-S | CABLE | 1 | | |
| 77 | | | ED0040622550-S | FUSE | 1 | | |
| 84 | | | ED0040622600-S | FUSE | 1 | ED0040622240-S | |
| 85 | | | ED0073692320-S | RELAY | 1 | | |
| 86 | | | KDISC. | | 1 | ED0066080620-S | |

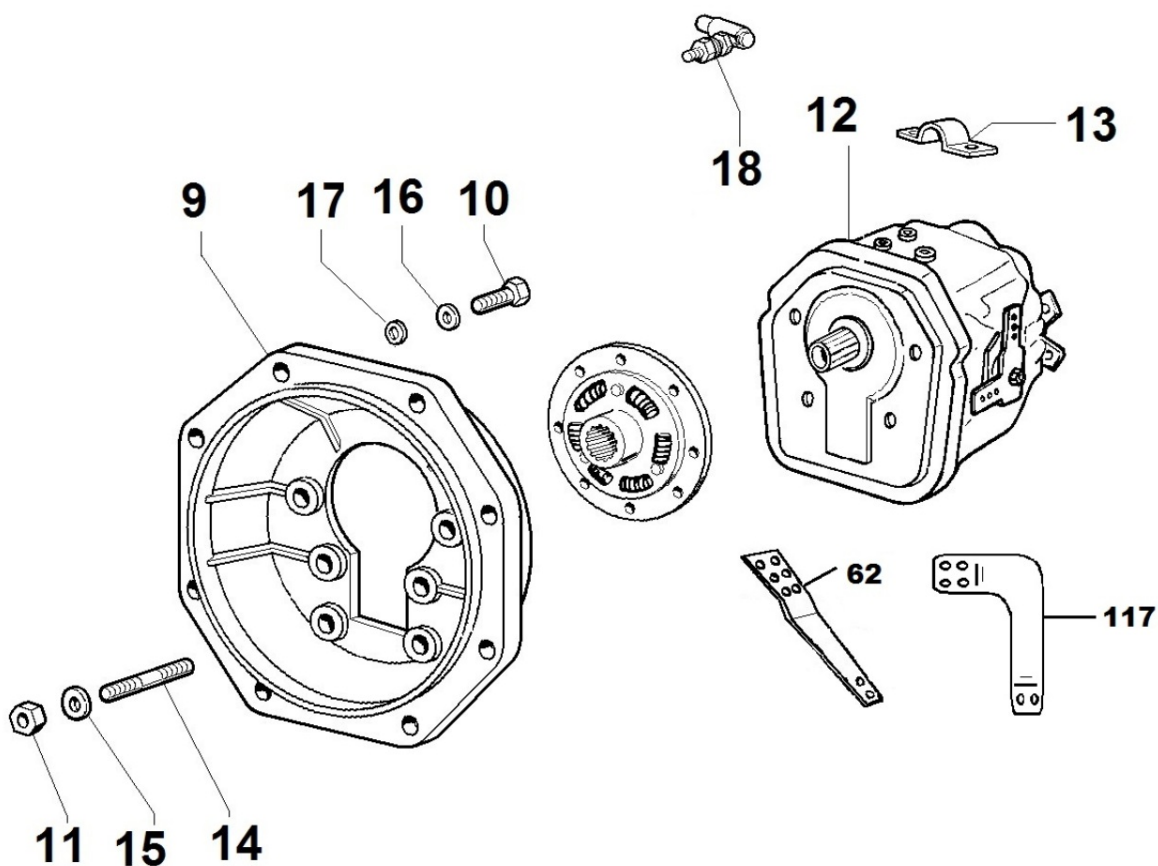
| Pos | Kit | Included In | Code | Description | Qty | Old Code | Tech. Info |
|-----|-----|-------------|--------|-------------|-----|----------------|------------|
| 86 | | | KDISC. | | 1 | ED0066080620-S | |

8185320090 - CLUTCH



| Pos | Kit | Included In | Code | Description | Qty | Old Code | Tech. Info |
|-----|-----|-------------|----------------|-------------|-----|----------|------------|
| 72 | | | ED0042511800-S | COUPLING | 1 | | |
| 73 | | | ED0097301070-S | ALLEN SCREW | 8 | | |

8186320030 - REDUCTION GEAR



| Pos | Kit | Included In | Code | Description | Qty | Old Code | Tech. Info |
|-----|-----|-------------|----------------|----------------------------------|-----|----------------|------------|
| 9 | | | ED0011700370-S | RING | 1 | ED0011700130-S | |
| 9 | | | ED0011700290-S | RING | 1 | ED0011700140-S | |
| 10 | | | ED0017801150-S | BOLT | 4 | | |
| 11 | | | ED0032401400-S | NUT | 8 | | |
| 12 | | | ED0050452180-S | INVERT.TECHNOD.TMC60 2:1 BLACK | 1 | ED0050451410-S | |
| 12 | | | ED0050452470-S | INVERT.TMC40 2:1 LOMB.MAR. BLACK | 1 | ED0050451560-S | |
| 13 | | | ED0063702850-S | PLATE | 1 | | |
| 14 | | | ED0067800190-S | STUD | 6 | | |
| 15 | | | ED0075550290-S | WASHER | 6 | | |
| 16 | | | ED0075650500-S | WASHER | 4 | | |
| 17 | | | ED0076252090-S | WASHER | 2 | | |
| 18 | | | ED0082800370-S | JOINT | 1 | | |
| 21 | | | ED0067800100-S | STUD | 6 | | |
| 22 | | | ED0075650480-S | WASHER | 2 | | |

8198329040 - SPECIAL DETACHED COMPONENTS

| Pos | Kit | Included In | Code | Description | Qty | Old Code | Tech. Info |
|-----|-----|-------------|----------------|----------------------------|-----|----------------|------------|
| 0 | | | ED0076252110-S | WASHER | 2 | | |
| 0 | | | ED0087600020-S | SUPPORT | 1 | | |
| 0 | | | ED0087600790-S | SUPPORT | 1 | | |
| 0 | | | ED0097302140-S | ALLEN SCREW | 2 | | |
| 0 | | | ED0075650480-S | WASHER | 2 | | |
| 0 | | | ED0069021650-S | EXTENSION | 1 | | |
| 0 | | | ED0046700010-S | COPPER WASHER D10/6.2 1THK | 1 | | |
| 0 | | | ED0038661530-S | FLANGE | 1 | ED0038660830-S | |
| 0 | | | ED0038661740-S | FLANGE | 1 | | |
| 0 | | | ED0032401420-S | NUT | 2 | | |
| 0 | | | ED0017701230-S | BOLT | 2 | | |
| 0 | | | ED0017801150-S | BOLT | 2 | | |

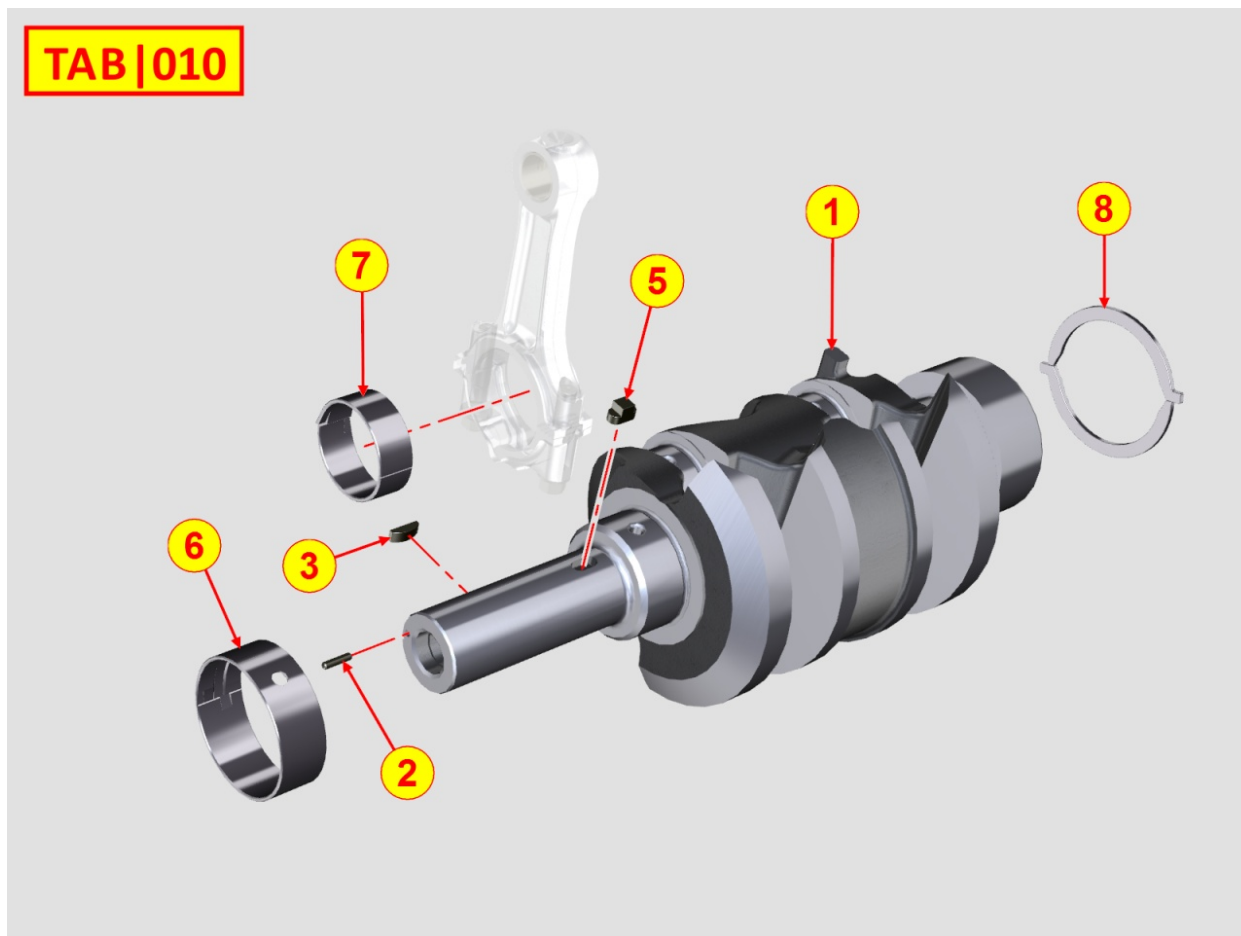
Tavola ricambi

| Index | Description |
|------------|---------------------------------|
| 8010320090 | CRANKSHAFT |
| 8011320060 | PISTON / CONNECTING ROD |
| 8012320500 | FLYWHEEL |
| 8014320970 | PULLEYS / BELT |
| 8020320510 | CRANKCASE |
| 8021320580 | CYLINDER HEAD |
| 8022320860 | HEAD COVER |
| 8023320130 | FLYWHEEL SIDE SUPPORT |
| 8025320880 | ENGINE MOUNTS |
| 8030320020 | INJECTION SYSTEM |
| 8035320790 | CAMSHAFT |
| 8036320170 | ROCKER ARMS / VALVES |
| 8038320040 | TIMING SYSTEM |
| 8040320100 | OIL PUMP |
| 8042320240 | OIL FILTER |
| 8045320160 | BREATHER SYSTEM |
| 8046320050 | PUMP FOR OIL EXTRACTION |
| 8050321280 | SPEED GOVERNOR |
| 8051321280 | CONTROLS |
| 8061320850 | FUEL FILTER |
| 8062320430 | FUEL FEED PUMP |
| 8064320690 | FUEL LINES |
| 8074320560 | THERMOSTAT UNIT |
| 8075320180 | COOLANT INLET FLANGE |
| 8077320090 | COOLANT PUMP |
| 8079320110 | FITTING FOR CAB HEATING |
| 8080321480 | AIR INLET MANIFOLD / AIR FILTER |
| 8082320850 | AIR INLET ACCESORIES |
| 8085320210 | EXHAUST GAS MANIFOLD |
| 8100320860 | VOLTAGE ALTERNATOR |
| 8101320360 | STARTING MOTOR |
| 8102320290 | OIL PRESSURE SWITCH |
| 8104320090 | TEMPERATURE SENSORS |
| 8106320310 | GLOW PLUGS / PRE-HEATING RELAY |
| 8140320470 | 3rd PTO |
| 8160320790 | ENGINE FLANGE / BACKPLATE |

Tavola ricambi

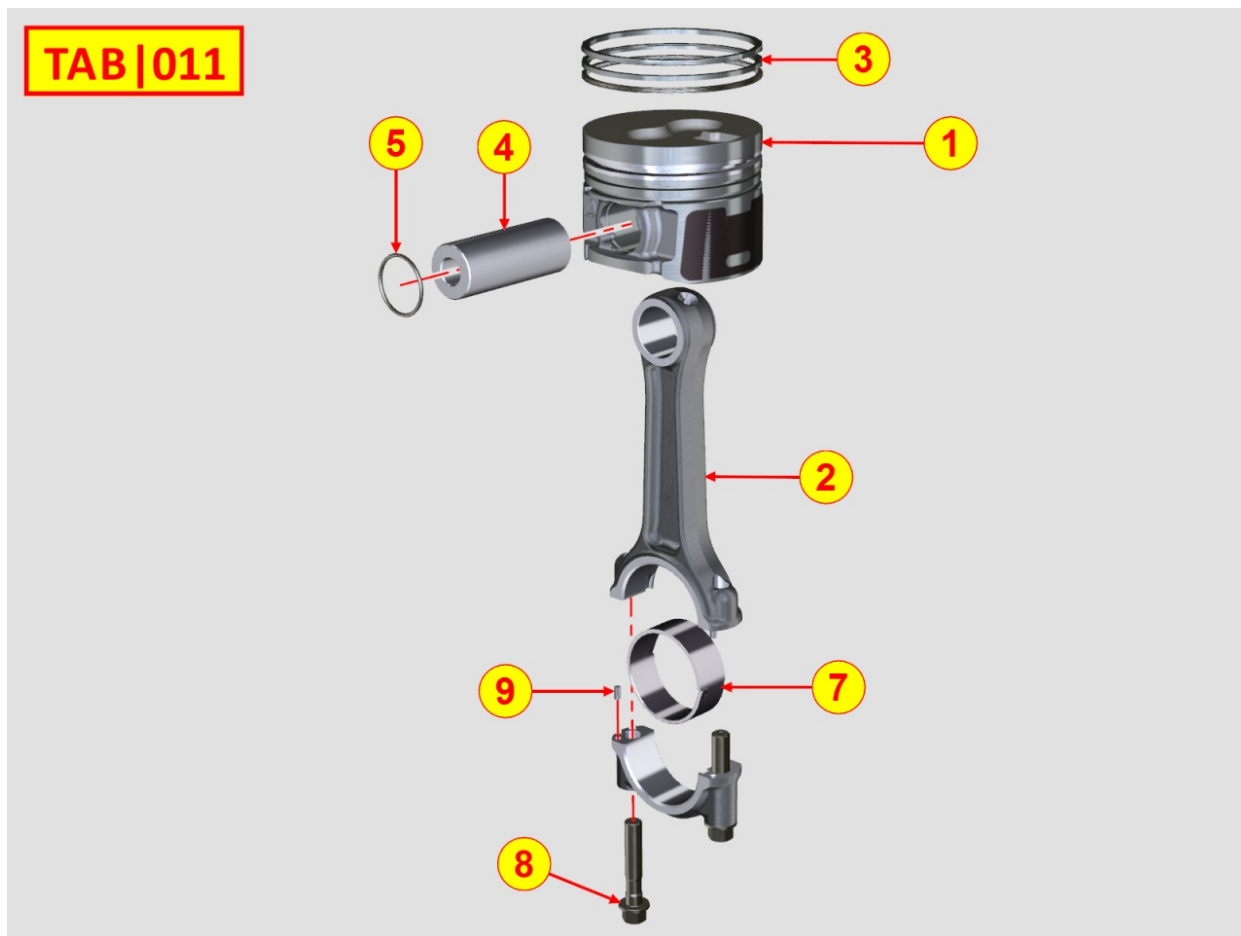
| Index | Description |
|------------|-----------------------------|
| 8198328990 | SPECIAL DETACHED COMPONENTS |

8010320090 - CRANKSHAFT



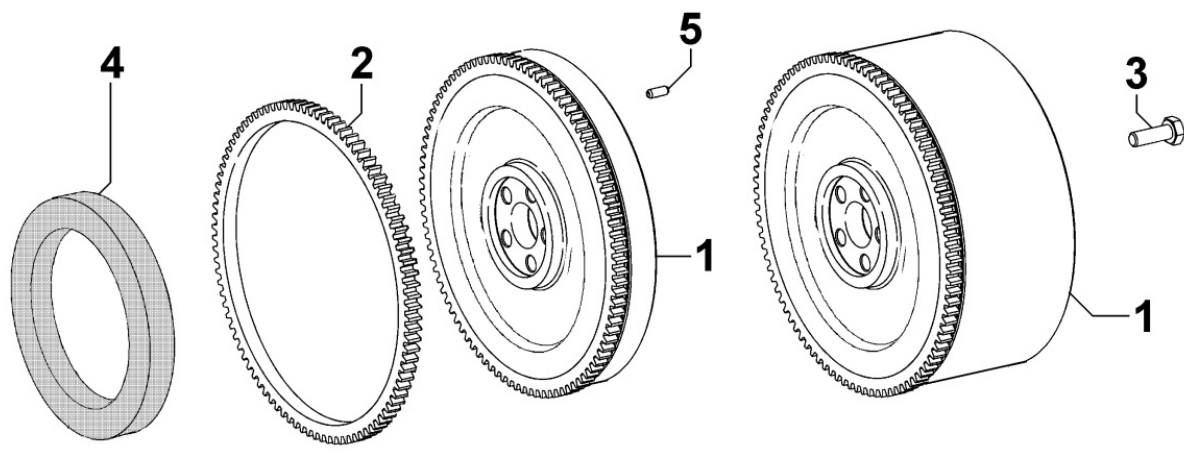
| Pos | Kit | Included In | Code | Description | Qty | Old Code | Tech. Info |
|-----|-----|-------------|----------------|-------------------------|---------|----------|------------|
| 1 | A | | ED0010509540-S | CRANKSHAFT | 1 | | |
| 2 | | (A) | ED0084300040-S | TAPER PIN 3X12 DIN 1481 | 1 | | |
| 3 | | (A) | ED0022801190-S | KEY | 1 | | |
| 4 | | (A) | ED0090801320-S | CAP | 2 | | |
| 5 | | (A) | ED0022801490-S | KEY | 1 | | |
| 6 | | (A) | | 802032...0 | 2/3/4/5 | | |
| 7 | | (A) | | 801132...0 | 2/3/4 | | |
| 8 | | (A) | | 802032...0 | 2 | | |

8011320060 - PISTON / CONNECTING ROD



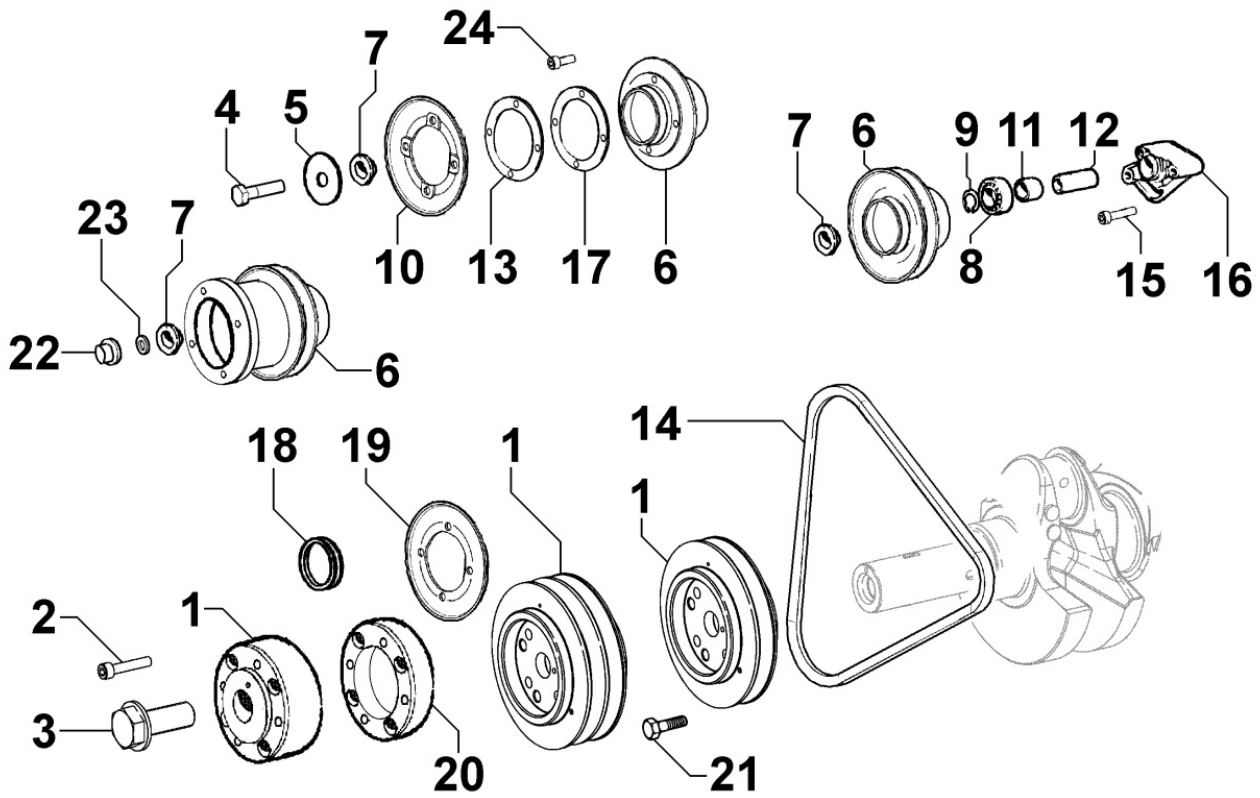
| Pos | Kit | Included In | Code | Description | Qty | Old Code | Tech. Info |
|-----|-----|-------------|----------------|------------------------------|-------|----------------|------------|
| 1 | A | | ED0065014270-S | PISTON STD. COMPLETE FOCS502 | 2 | | |
| 1 | A | | ED0065014280-S | PISTONE/PISTON +0,5 F CR | 2 | | |
| 1 | A | | KDISC. | | 2 | ED0065014290-S | |
| 2 | B | | ED0015261720-S | CONNECTING ROD | 2 | | |
| 2 | B | | ED0015261990-S | CONNECTING ROD -0,25 | 2 | | |
| 2 | B | | ED0015262000-S | CONNECTING ROD -0,50 | 2 | | |
| 3 | | (A) | ED0082111410-S | RING SET STD | 2 | | |
| 3 | | (A) | ED0082111420-S | RINGS +0.5 | 2 | | |
| 3 | | (A) | ED0082111430-S | RINGS +1 | 2 | | |
| 4 | | (A) | ED0084800810-S | PISTON PIN | 2 | | |
| 5 | | (A) | ED0012610990-S | RING | 4 | | |
| 8 | | (B) | ED0017701010-S | BOLT | 4/6/8 | | |

8012320500 - FLYWHEEL



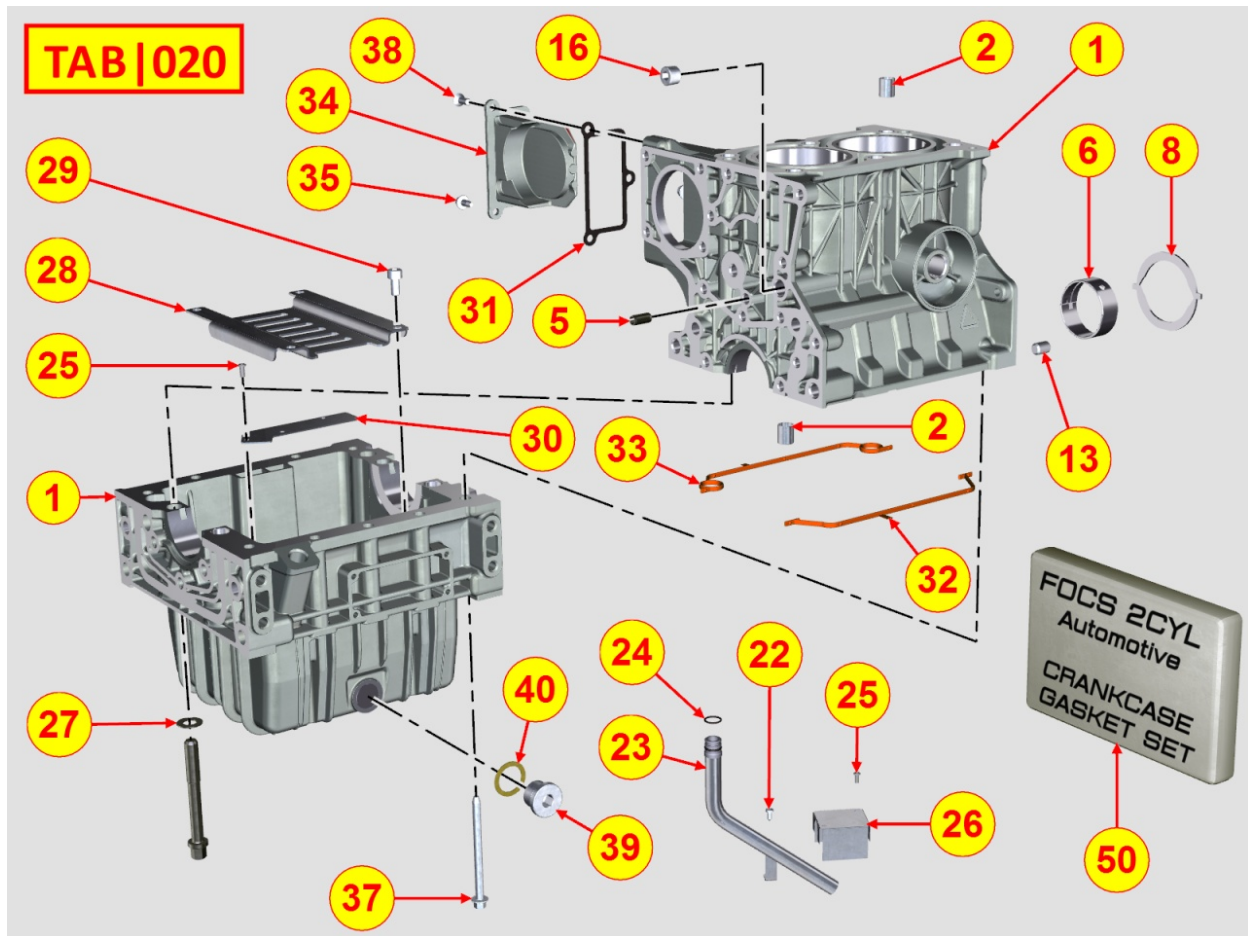
| Pos | Kit | Included In | Code | Description | Qty | Old Code | Tech. Info |
|-----|-----|-------------|----------------|-------------|-----|----------|------------|
| 1 | A | | ED0098812370-S | FLYWHEEL | 1 | | |
| 1 | A | | ED0098812590-S | FLYWHEEL | 1 | | |
| 2 | | (A) (B) | ED0028160880-S | RING GEAR | 1 | | |
| 3 | | | ED0017801050-S | BOLT | 5 | | |

8014320970 - PULLEYS / BELT





| Pos | Kit | Included In | Code | Description | Qty | Old Code | Tech. Info |
|-----|-----|-------------|----------------|------------------------------------|-----|----------------|------------|
| 1 | | | ED0039023610-S | FLANGE | 1 | | |
| 1 | | | ED0071005230-S | PULLEY X FOCS ENG. (L.MARINE) GREY | 1 | ED0071004400-S | |
| 2 | | | ED0097320740-S | ALLEN SCREW | 4 | | |
| 2 | | | ED0097300150-S | ALLEN SCREW | 4 | | |
| 3 | | | ED0098653190-S | CRANKSHAFT BOLT | 1 | | |

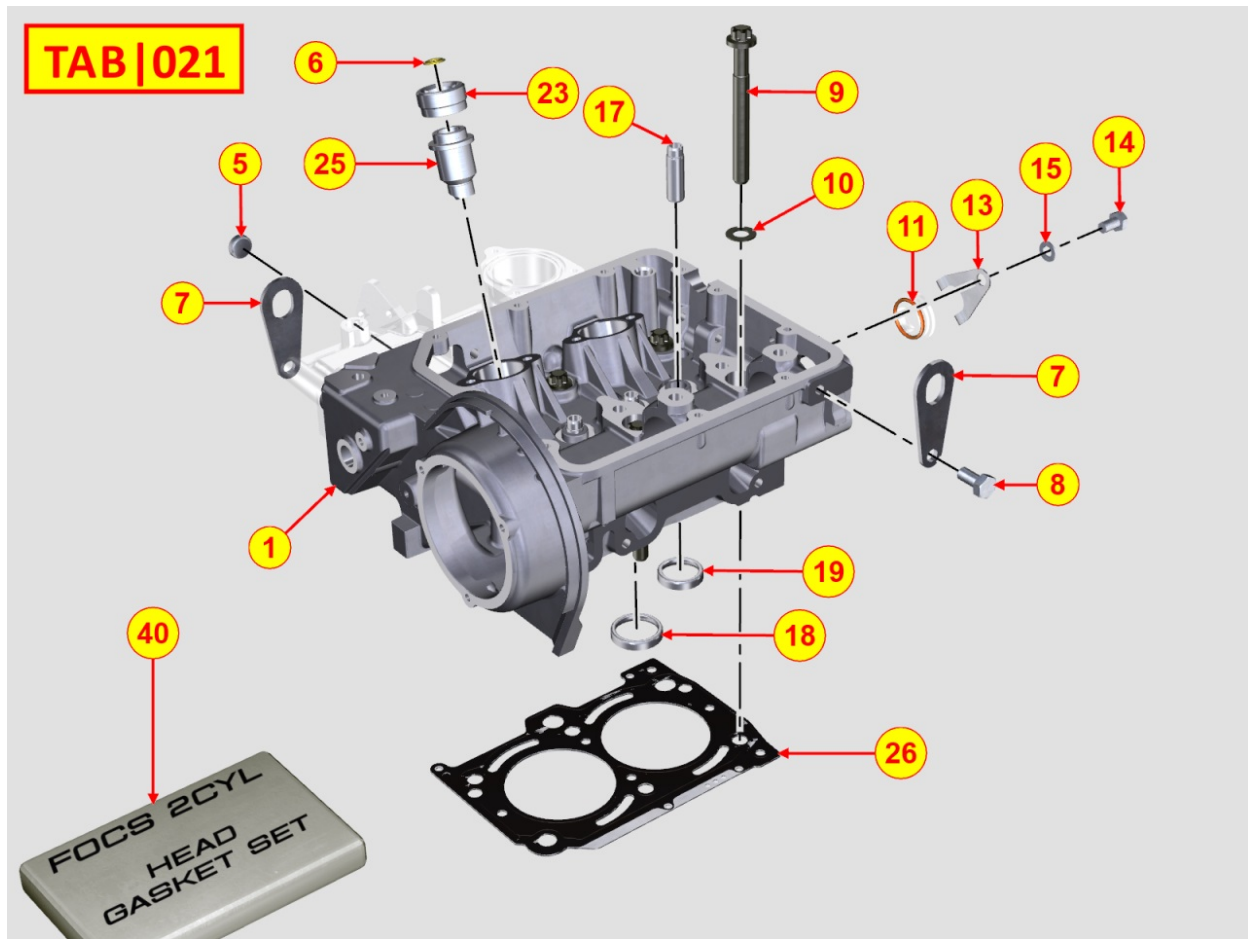
8020320510 - CRANKCASE




| Pos | Kit | Included In | Code | Description | Qty | Old Code | Tech. Info |
|-----|-----|-------------|----------------|---------------------------------|-------|----------|------------|
| 1 | A | | ED0015112060-S | CRANKCASE | 1 | | |
| 2 | | (A) | ED0019701400-S | BUSHING | 2 | | ⚠ |
| 5 | | | ED0084301050-S | ELASTIC DOWEL PIN 8X16 DIN 1481 | 1 | | |
| 6 | | | ED0016111880-S | BEAR.STAND. | 2 | | ⚠ |
| 6 | | | ED0016111890-S | BEAR.-0.25 | 2 | | ⚠ |
| 6 | | | ED0016111900-S | BEAR.-0.50 | 2 | | ⚠ |
| 6 | | | ED0016111930-S | SUPP.BEARING STD. | 3/4/5 | | ⚠ |
| 6 | | | ED0016111940-S | BEARING -0,25 | 3/4/5 | | ⚠ |
| 6 | | | ED0016111950-S | BEARING -0,50 | 3/4/5 | | ⚠ |
| 7 | | (A) | ED0089650970-S | CAP | 1 | | |
| 13 | | | ED0084001400-S | PIN | 2 | | |
| 15 | | (A) | ED0098201200-S | SCREW | 4 | | |
| 22 | | (A) | ED0098201680-S | SCREW | 1 | | |
| 23 | | (A) | ED0093201820-S | TUBO/TUBE N | 1 | | |
| 24 | | | ED0012000760-S | O-RING | 2 | | |
| 25 | | (A) | ED0074810540-S | RIVET | 6 | | |
| 26 | | (A) | ED0037401560-S | OIL FILTER | 1 | | |
| 27 | | (A) | ED0076251300-S | WASHER | 4 | | |
| 28 | | (A) | ED0050663660-S | SHROUD | 1 | | ⚠ |
| 29 | | (A) | ED0097320840-S | ALLEN SCREW | 4 | | ⚠ |
| 30 | | (A) | ED0050900300-S | COVER | 1 | | |
| 31 | | | ED0044600380-S | GASKET | 1 | | |
| 32 | | | ED0045050420-S | GASKET | 1 | | |
| 33 | | | ED0045050430-S | GASKET | 1 | | |
| 34 | | | ED0065844950-S | WATER PUMP | 1 | | |

| Pos | Kit | Included In | Code | Description | Qty | Old Code | Tech. Info |
|-----|-----|-------------|----------------|-----------------------|-----|----------|-------------------------------------------------------------------------------------|
| 34 | | | ED0065844950-S | WATER PUMP | 1 | | |
| 35 | | | ED0017601300-S | BOLT | 2 | | |
| 37 | | | ED0017601350-S | BOLT | 4 | |  |
| 38 | | | ED0098000610-S | FLARING SCREW | 1 | | |
| 39 | | | ED0090400260-S | CAP | 2 | | |
| 40 | | | ED0046700880-S | CUPPER WASHER 18X24X1 | 2 | | |
| 50 | | | ED0082051230-S | GASKET & O-RINGS KIT | 1 | |  |

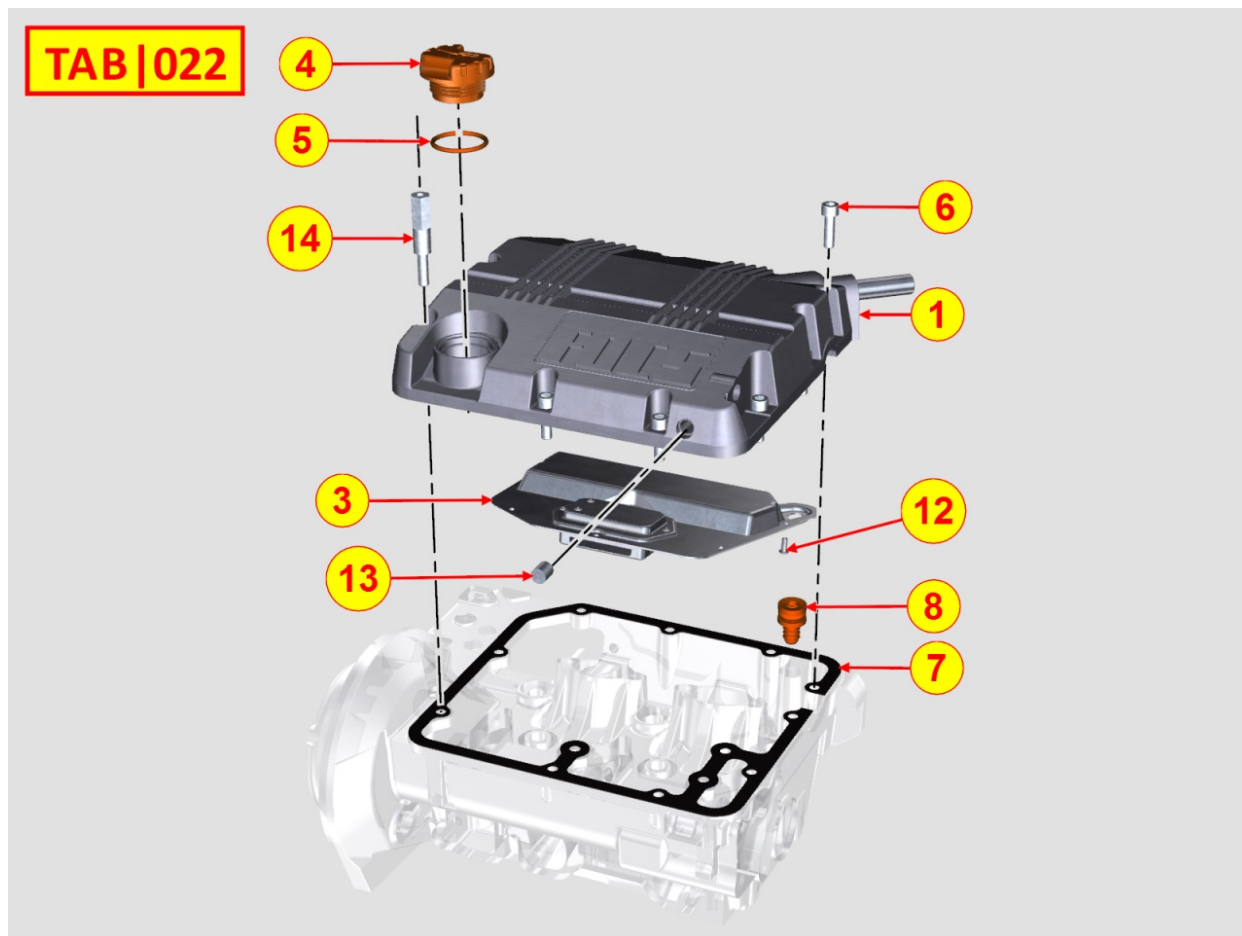
8021320580 - CYLINDER HEAD



| Pos | Kit | Included In | Code | Description | Qty | Old Code | Tech. Info |
|-----|-----|-------------|----------------|------------------------------------------|--------|----------|------------|
| 1 | A | | ED0092009140-S | CYLINDER HEAD | 1 | | |
| 2 | | (B) | | 803632...0 | 4/6/8* | | |
| 3 | | (B) | | 803632...0 | 4/6/8* | | |
| 4 | | (B) | | 803632...0 | 4/6/8* | | |
| 5 | | (A) (B) | ED0089900470-S | CAP | 1 | | |
| 6 | | | ED0059890070-S | SPARK ARRESTER | 2 | | |
| 7 | | | ED0085451900-S | BRACKET | 2 | | |
| 8 | | | ED0017700020-S | BOLT | 1 | | |
| 9 | | | ED0098202060-S | SCREW | 6 | | |
| 10 | | | ED0076251300-S | WASHER | 6 | | |
| 11 | | (B) | ED0012000810-S | O-RING | 1 | | ⚠ |
| 12 | | | | 807932...0 | 1 | | |
| 13 | | (B) | ED0055700190-S | SPRING | 1 | | ⚠ |
| 14 | | (B) | ED0017701270-S | BOLT | 1 | | |
| 15 | | (B) | ED0076250100-S | WASHER | 1 | | |
| 17 | | (A) (B) | ED0048452000-S | VALVE GUIDE | 4 | | ⚠ |
| 18 | | (A) (B) | ED0080002260-S | VALVE SEAT | 2 | | |
| 19 | | (A) (B) | ED0080002270-S | VALVE SEAT | 2 | | |
| 23 | | | ED0041300960-S | RING NUT | 2 | | |
| 25 | | | ED0067250290-S | COMBUSTION PRECHAMBER | 2 | | |
| 26 | | | ED0047308770-S | HEAD GASKET | 1 | | ⚠ |
| 26 | | | ED0047308780-S | METAL HEAD GASKET SP 1.5-1.55 LDW502 LGW | 1 | | ⚠ |
| 26 | | | ED0047308790-S | HEAD GASKET | 1 | | ⚠ |
| 27 | | (B) | | 803632...0 | 4/6/8* | | |
| 28 | | (B) | | 803632...0 | 2/3/4* | | |

| Pos | Kit | Included In | Code | Description | Qty | Old Code | Tech. Info |
|-----|-----|-------------|----------------|----------------------|--------|----------|-------------------------------------------------------------------------------------|
| 29 | | (B) | | 803632...0 | 2/3/4* | | |
| 40 | | | ED0082051060-S | GASKET & O-RINGS KIT | 1 | |  |

8022320860 - HEAD COVER



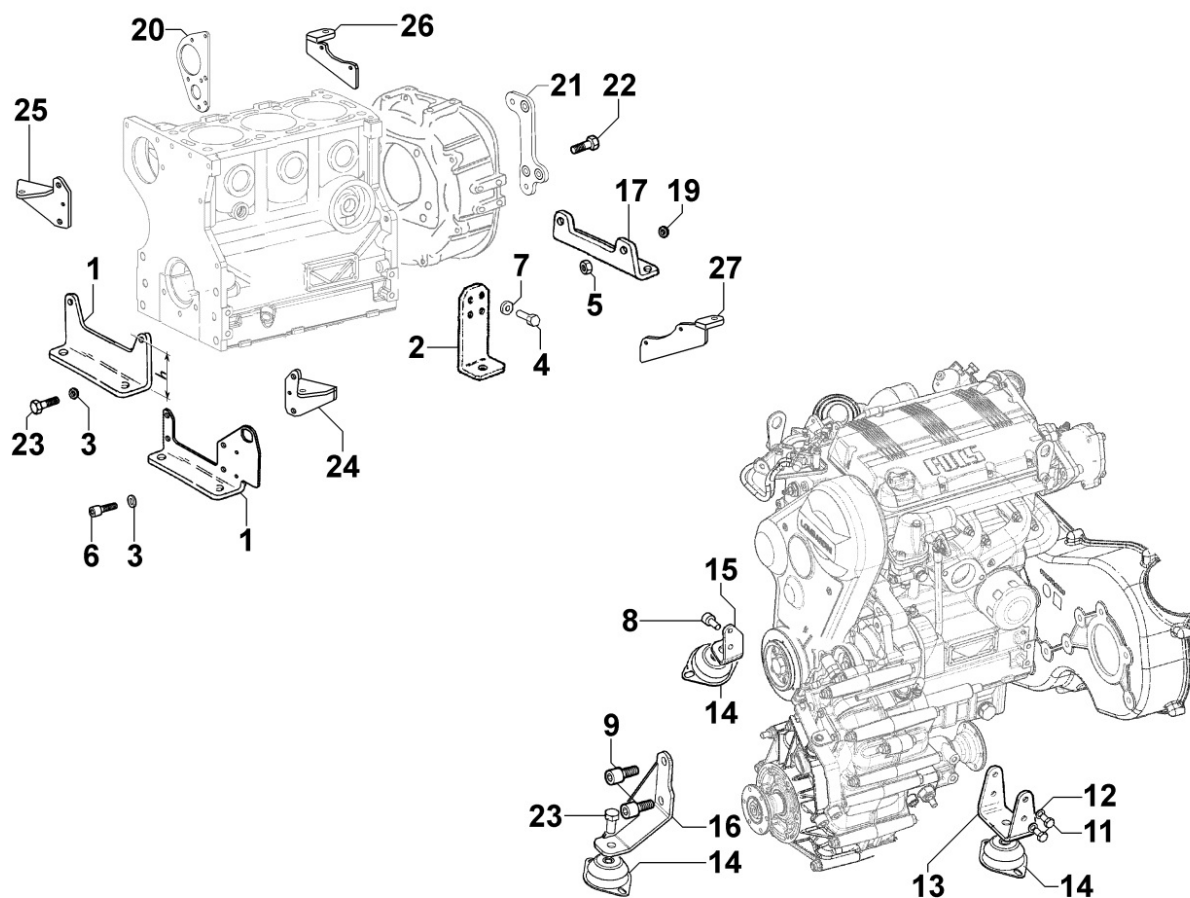
| Pos | Kit | Included In | Code | Description | Qty | Old Code | Tech. Info |
|-----|-----|-------------|----------------|------------------|-----|----------|------------|
| 1 | (A) | | ED0021257420-S | ROCKER ARM COVER | 1 | | ⚠ |
| 4 | | | ED0090320930-S | FILLER CAP | 1 | | ⚠ |
| 5 | | | ED0012000820-S | O-RING | 1 | | ⚠ |
| 6 | | | ED0097304160-S | ALLEN SCREW | 8 | | |
| 7 | | | ED0044001030-S | GASKET | 1 | | ⚠ |
| 12 | | (A) | ED0074810540-S | RIVET | 7 | | |
| 13 | | (A) | ED0090801330-S | CAP | 1 | | |
| 14 | | | ED0025011020-S | HOLLOW STUD | 2 | | |

8023320130 - FLYWHEEL SIDE SUPPORT



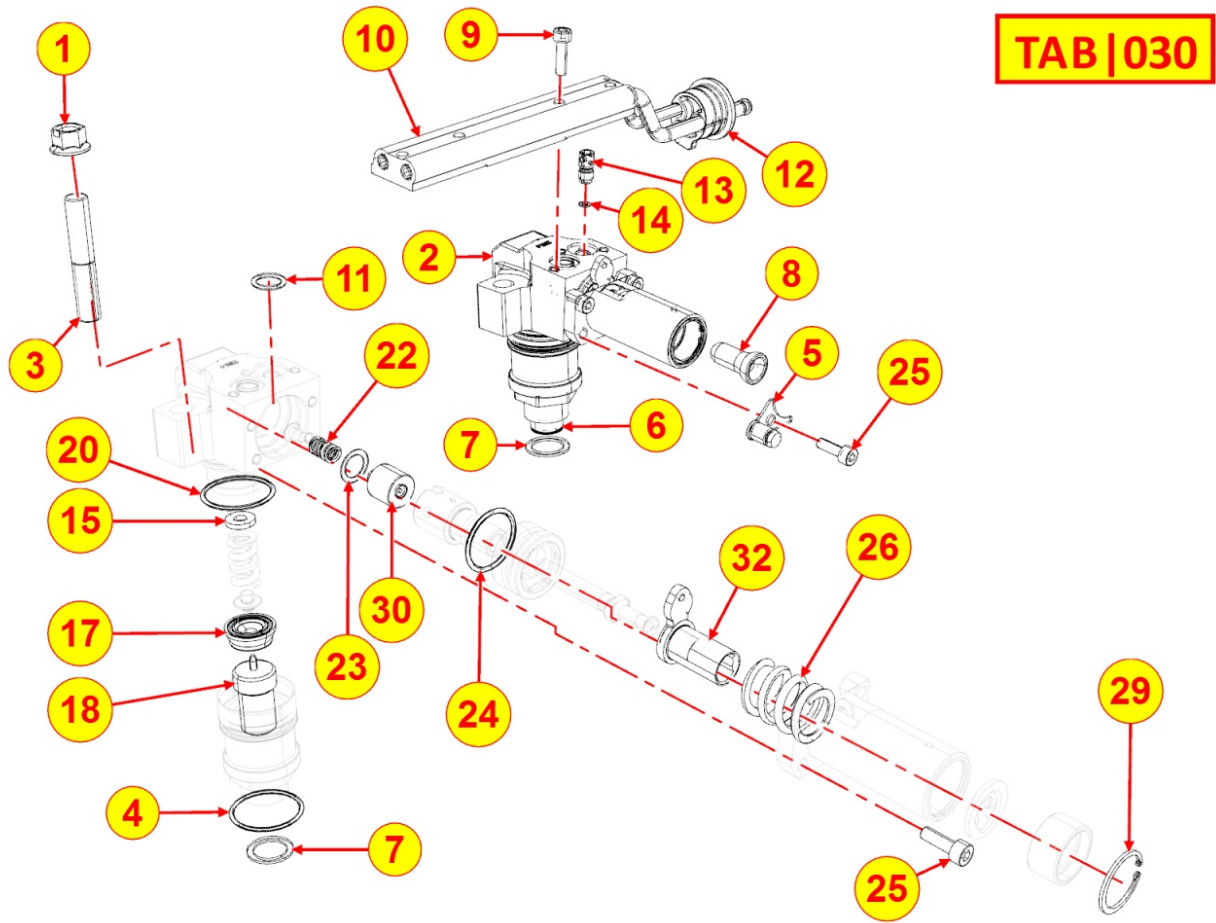
| Pos | Kit | Included In | Code | Description | Qty | Old Code | Tech. Info |
|-----|-----|-------------|----------------|-------------|-----|----------|------------|
| 1 | A | | ED0037900780-S | FLANGE | 1 | | ⚠ |
| 2 | | | ED0045011560-S | GASKET | 1 | | ⚠ |
| 3 | | | ED0097300100-S | ALLEN SCREW | 6 | | |
| 4 | | (A) | ED0012133470-S | SEAL RING | 1 | | ⚠ |

8025320880 - ENGINE MOUNTS





| Pos | Kit | Included In | Code | Description | Qty | Old Code | Tech. Info |
|-----|-----|-------------|----------------|-------------|-----|----------|------------|
| 3 | | | ED0076450070-S | WASHER | 8 | | |
| 23 | | | ED0017900370-S | BOLT | 4 | | |
| 23 | | | ED0017900880-S | BOLT | 4 | | |

8030320020 - INJECTION SYSTEM

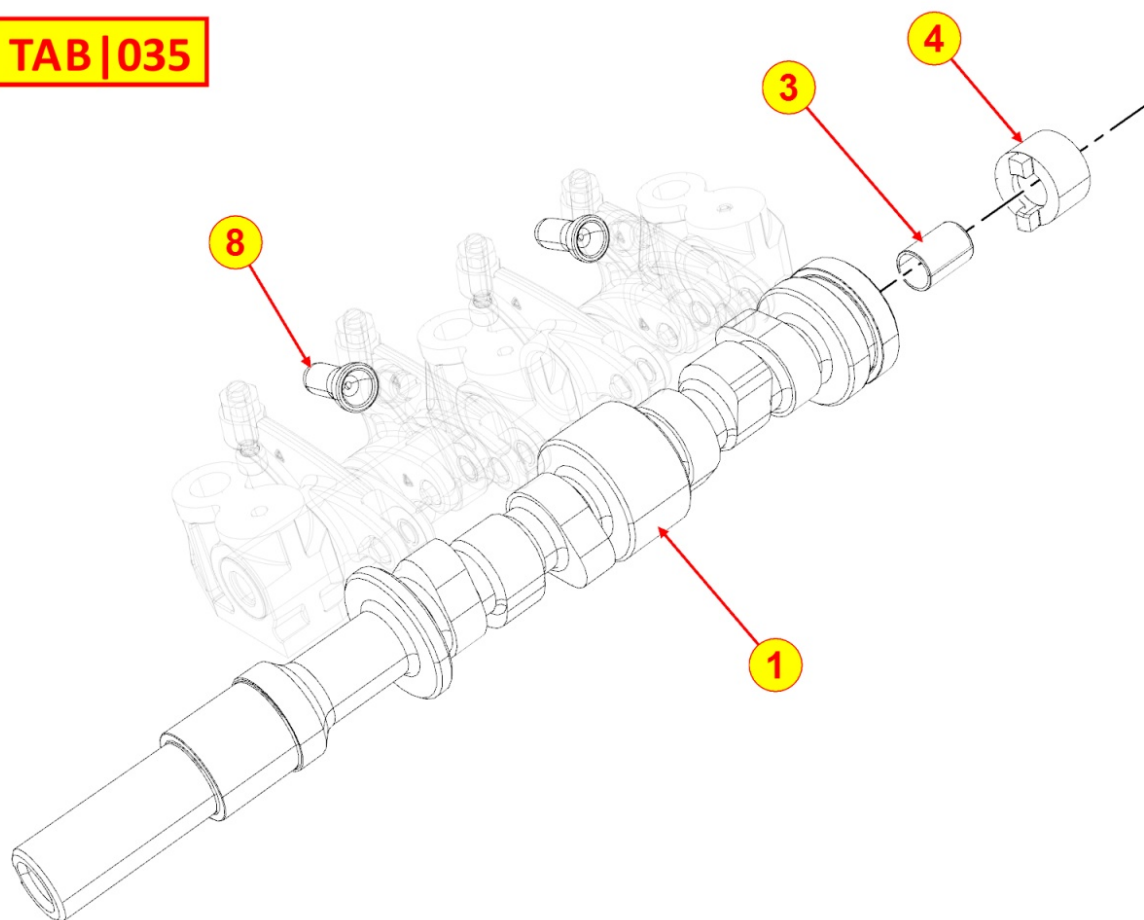


| Pos | Kit | Included In | Code | Description | Qty | Old Code | Tech. Info |
|-----|-----|-------------|----------------|-----------------------|-------|----------------|------------|
| 1 | | | ED0032401640-S | NUT | 4 | | |
| 2 | A | | ED0065903070-S | INJECTION PUMP | 2 | | ▲ |
| 3 | | | ED0067802030-S | STUD | 4 | | |
| 4 | | (C) | ED0012002130-S | O-RING | 2/3/4 | | |
| 5 | | | ED0063707960-S | PLATE | 1 | | ▲ |
| 6 | | (C) | | 802132...0 | | | |
| 7 | | (C) | ED0046700820-S | COPPER WASHER 14X19X1 | 2 | | |
| 8 | | | | 803532...0 | | | |
| 9 | | | ED0097303130-S | ALLEN SCREW | 4 | | ▲ |
| 10 | B | | ED0093759930-S | COMMON RAIL FOCS 2C | 1 | | |
| 11 | | (A) (C) | ED0012002860-S | O-RING | 2 | | ▲ |
| 12 | | (B) | ED0047500140-S | GASKET | 1 | | ▲ |
| 13 | | (A) | ED0096800410-S | VALVE | 2/3/4 | | |
| 14 | | (A) | ED0047600380-S | GASKET | 2/3/4 | | |
| 15 | | (A) | ED0083351420-S | SHIM | 1 | | ▲ |
| 15 | | (A) | KDISC. | | 1 | ED0083351430-S | |
| 15 | | (A) | ED0083351440-S | SHIM | 1 | | ▲ |
| 15 | | (A) | ED0083351450-S | SHIM | 1 | | ▲ |
| 15 | | (A) | ED0083351460-S | SHIM | 1 | | ▲ |
| 15 | | (A) | ED0083351470-S | SHIM | 1 | | ▲ |
| 15 | | (A) | ED0083351480-S | SHIM | 1 | | ▲ |
| 15 | | (A) | ED0083351490-S | SHIM | 1 | | ▲ |
| 15 | | (A) | ED0083351500-S | SHIM | 1 | | ▲ |
| 15 | | (A) | ED0083351510-S | SHIM | 1 | | ▲ |

| Pos | Kit | Included In | Code | Description | Qty | Old Code | Tech. Info |
|-----|-----|-------------|----------------|----------------|-------|----------------|-------------------------------------------------------------------------------------|
| 15 | | (A) | ED0083351510-S | SHIM | 1 | |  |
| 15 | | (A) | ED0083351520-S | SHIM | 1 | |  |
| 17 | | (A) | ED0035272200-S | SPACER | 2/3/4 | | |
| 18 | C | (A) | ED0048960400-S | ASSEMBLY | 2/3/4 | ED0065314360-S | |
| 20 | | (A) (C) | ED0012002870-S | O-RING | 2/3/4 | | |
| 22 | | (A) | ED0058012740-S | SPRING | 2/3/4 | | |
| 23 | | (A) | ED0047600150-S | GASKET | 2/3/4 | | |
| 24 | | (A) | ED0012002770-S | O-RING | 2/3/4 | | |
| 25 | | (A) | KDISC. | | 4to12 | ED0097302060-S | |
| 26 | | (A) | ED0057551130-S | SPRING | 2/3/4 | | |
| 29 | | (A) | ED0012410090-S | SNAP RING | 2/3/4 | | |
| 30 | | (A) | ED0096721070-S | DELIVERY VALVE | 2/3/4 | | |
| 32 | | (A) | ED0053750170-S | THRUST BLOCK | 2/3/4 | | |

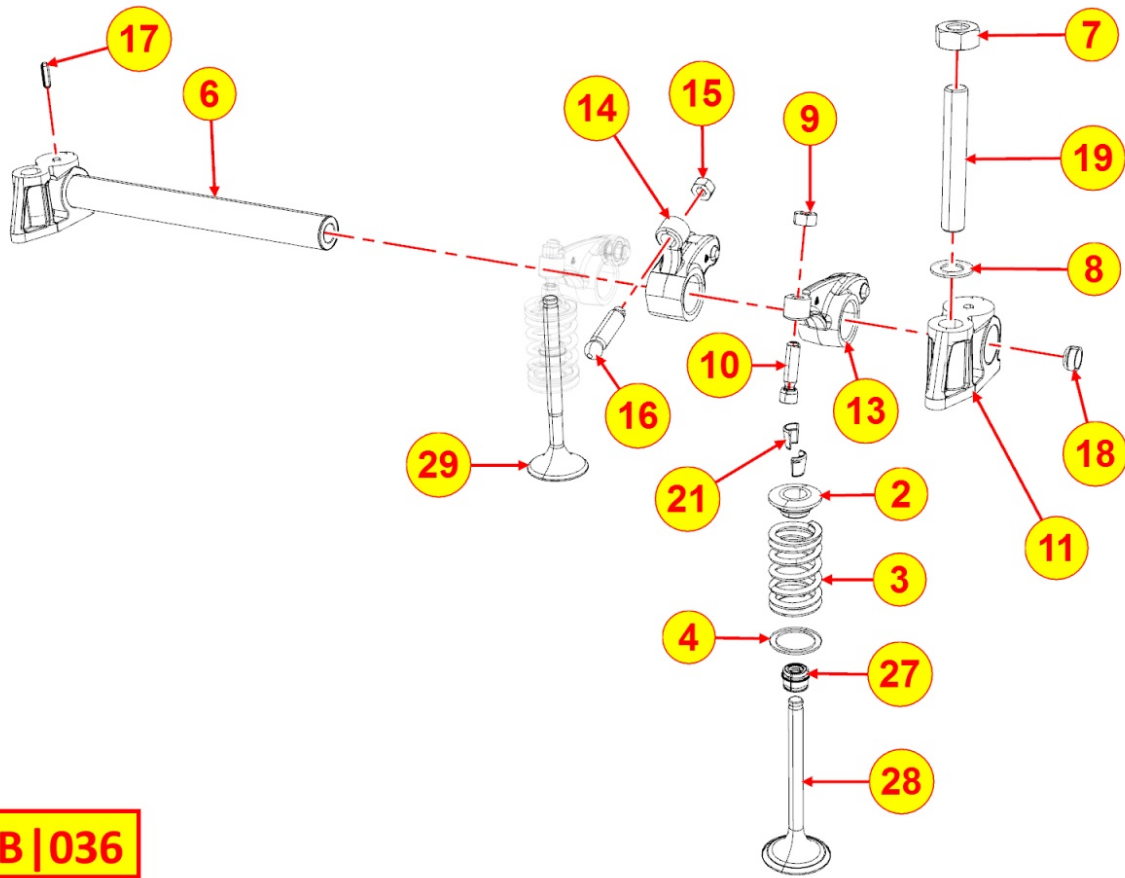
8035320790 - CAMSHAFT

TAB | 035



| Pos | Kit | Included In | Code | Description | Qty | Old Code | Tech. Info |
|-----|-----|-------------|----------------|-------------|-----|----------|------------|
| 1 | | | ED0010116290-S | CAMSHAFT | 1 | | |
| 4 | | | ED0035800350-S | ECCENTRIC | 1 | | ⚠ |
| 5 | | | ED0019704600-S | BUSHING | 1 | | ⚠ |
| 8 | | | ED0014101120-S | PUSHROD | 2 | | |

8036320170 - ROCKER ARMS / VALVES

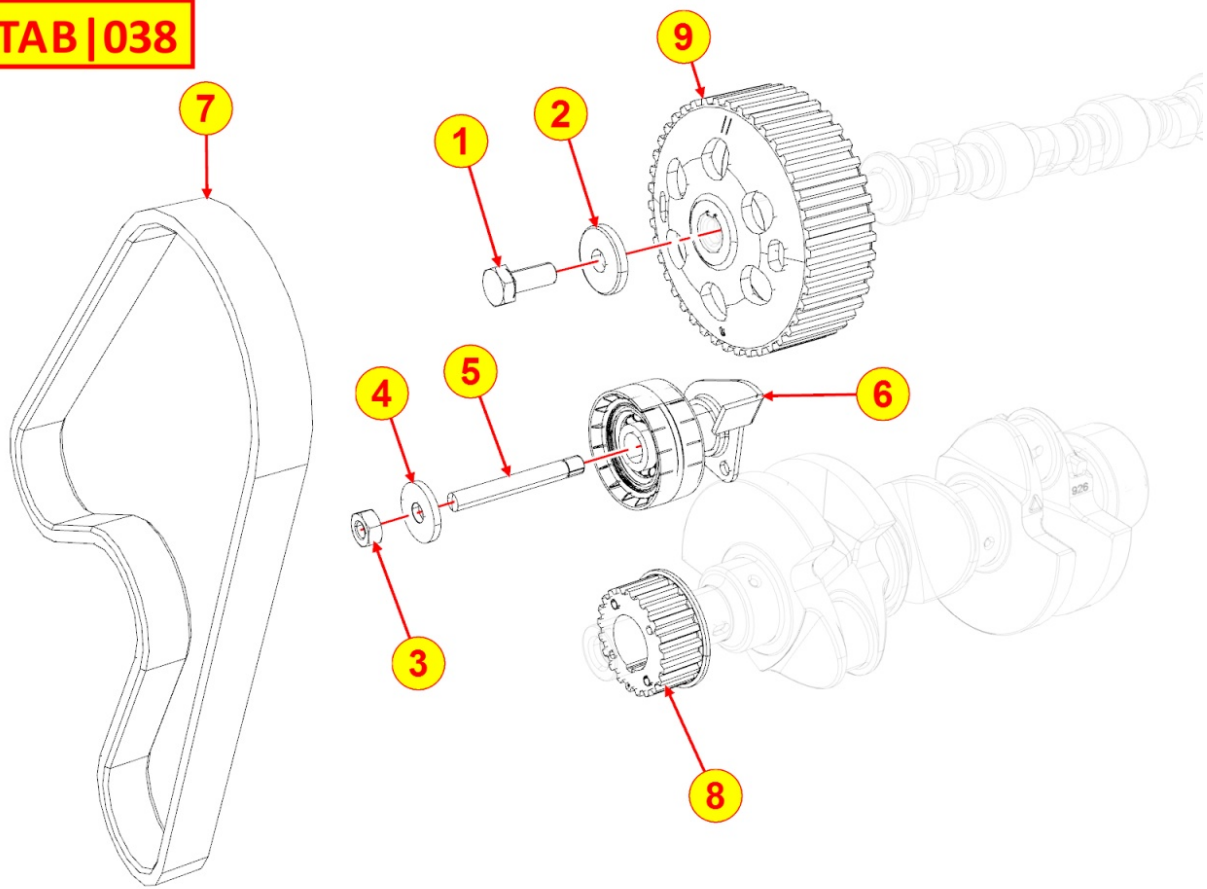


TAB | 036

| Pos | Kit | Included In | Code | Description | Qty | Old Code | Tech. Info |
|-----|-----|-------------|----------------|-----------------------|--------|----------|------------|
| 2 | B | | ED0064100170-S | VALVE SPRING RETAINER | 4/6/8* | | |
| 3 | | | ED0057550050-S | SPRING | 4 | | |
| 4 | | | ED0076251850-S | WASHER | 4 | | |
| 6 | A | | ED0060451100-S | ROCKER ARM SHAFT | 1 | | |
| 6 | E | (A) | ED0060450850-S | ROCKER ARM SHAFT | 1 | | ⚠ |
| 7 | | | ED0032400330-S | NUT | 3 | | |
| 8 | | | ED0076251300-S | WASHER | 3 | | |
| 9 | | (A) (C) | ED0032400080-S | NUT | 1 | | |
| 10 | | (A) (C) | ED0098500880-S | ADJUSTER | 1 | | |
| 11 | | (A) | ED0086151050-S | SUPPORT | 3 | | |
| 13 | C | (A) | ED0015411930-S | ROCKERARM | 4 | | |
| 14 | D | (A) | ED0015412200-S | ROCKERARM | 2 | | |
| 15 | | (A) (D) | ED0032401510-S | NUT | 1 | | |
| 16 | | (A) (D) | ED0098501100-S | ADJUSTER | 1 | | |
| 17 | | (A) (E) | ED0084300610-S | TAPER PIN 'D 10 | 1 | | |
| 18 | | (A) (E) | ED0090001480-S | CAP | 2 | | |
| 19 | | | ED0068000880-S | STUD | 3 | | |
| 21 | | (B) | ED0080570030-S | COTTER | 8 | | |
| 27 | | | ED0045350150-S | GASKET | 4 | | ⚠ |
| 28 | | | ED0096521010-S | INTAKE VALVE | 2 | | |
| 29 | | | ED0096851050-S | EXHAUST VALVE | 2 | | |

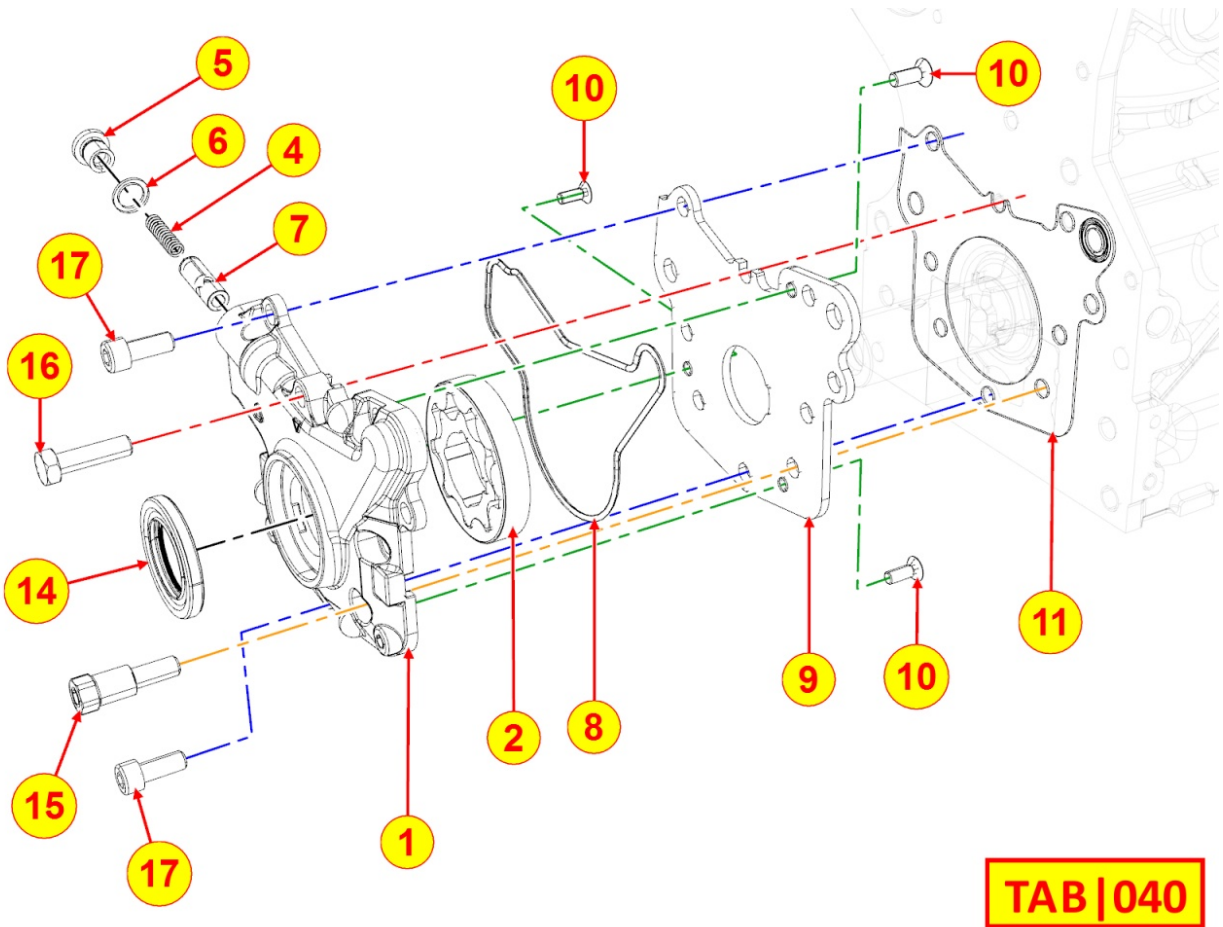
8038320040 - TIMING SYSTEM

TAB | 038



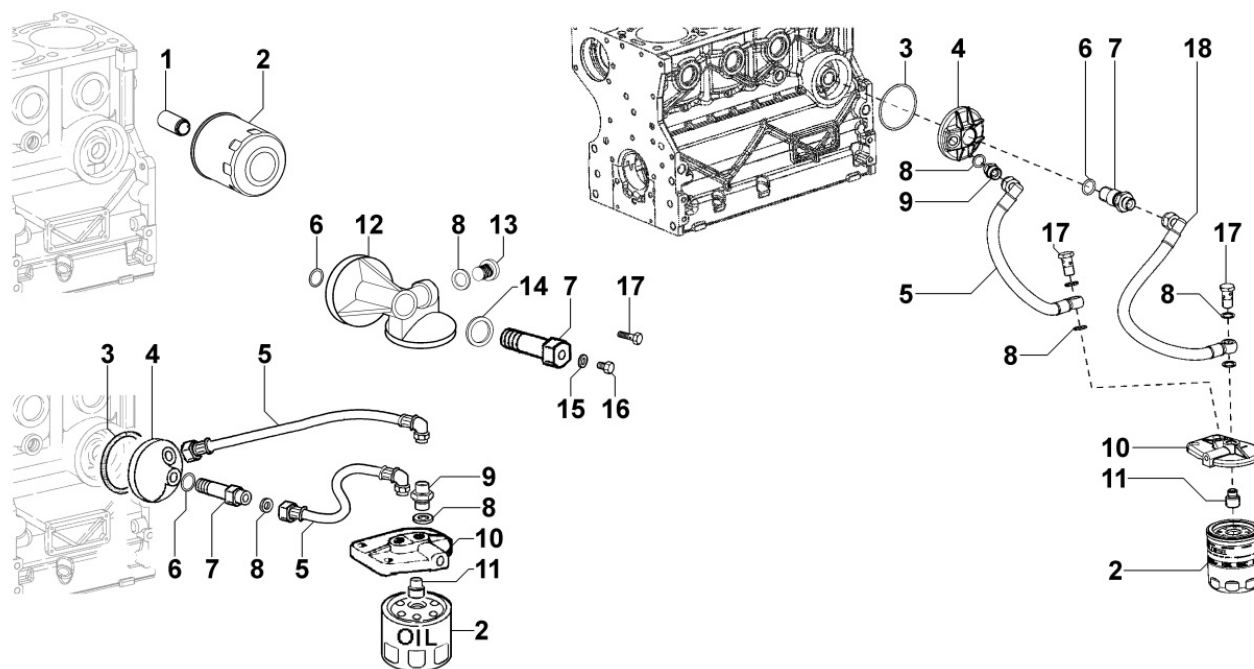
| Pos | Kit | Included In | Code | Description | Qty | Old Code | Tech. Info |
|-----|-----|-------------|----------------|----------------------------------|-----|----------|------------|
| 1 | | | ED0098201420-S | SCREW | 1 | | |
| 2 | | | ED0076250450-S | WASHER | 1 | | |
| 3 | | | ED0032400330-S | NUT | 1 | | |
| 4 | | | ED0074950100-S | WASHER | 1 | | |
| 5 | | | ED0068000330-S | STUD | 1 | | |
| 6 | | | ED0041100090-S | BELT TENSIONER | 1 | | |
| 7 | | | ED0024403430-S | VEEBELT FOR DISTRIBUTION COMMAND | 1 | | ⚠ |
| 8 | | | ED0069752920-S | PULLEY | 1 | | ⚠ |
| 9 | | | ED0070900120-S | TIMING DRIVEN PULLEY | 1 | | |

8040320100 - OIL PUMP



| Pos | Kit | Included In | Code | Description | Qty | Old Code | Tech. Info |
|-----|-----|-------------|----------------|---------------|-----|----------|------------|
| 1 | A | | ED0066051310-S | OIL PUMP | 1 | | |
| 2 | | (A) | | POS. 1 | | | |
| 5 | | (A) | ED0090150050-S | CAP | 1 | | |
| 6 | | (A) | ED0046700600-S | COPPER WASHER | 1 | | |
| 7 | | (A) | ED0064950450-S | PLUNGER | 1 | | |
| 8 | | (A) | ED0012002920-S | O-RING | 1 | | ⚠ |
| 9 | | (A) | | POS. 1 | | | |
| 10 | | (A) | ED0098000610-S | FLARING SCREW | 3 | | |
| 11 | | (A) | ED0045802160-S | GASKET | 1 | | |
| 14 | | | ED0012133430-S | SEAL RING | 1 | | ⚠ |
| 15 | | | ED0098651740-S | SPECIAL SCREW | 2 | | |
| 16 | | | ED0017700070-S | BOLT | 1 | | |
| 17 | | | ED0097320740-S | ALLEN SCREW | 6 | | |

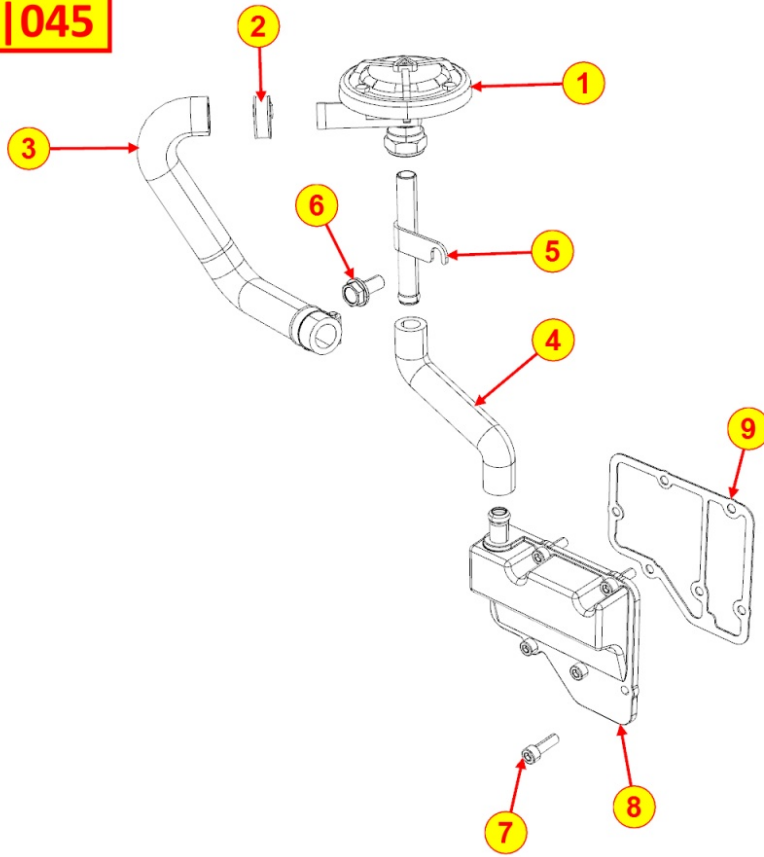
8042320240 - OIL FILTER



| Pos | Kit | Included In | Code | Description | Qty | Old Code | Tech. Info |
|-----|-----|-------------|----------------|--------------------------------|-----|----------------|------------|
| 1 | | | ED0072650210-S | JOINT | 1 | | |
| 2 | | | ED0021752830-S | OIL FILTER CARTRIDGE | 1 | ED0021751070-S | |
| 3 | | | ED0012020360-S | O-RING | 1 | | |
| 6 | | | ED0012002190-S | O-RING | 1 | | |
| 8 | | | ED0046700610-S | COPPER WASHER D19/14.2 1.5 THK | 1 | | |
| 10 | | | ED0089005570-S | SUPPORT | 1 | | |
| 12 | | | ED0089004250-S | SUPPORT | 1 | | |
| 13 | | | ED0090400120-S | CAP | 1 | | |
| 14 | | | ED0046700670-S | GASKET | 1 | | |

8045320160 - BREATHER SYSTEM

TAB | 045

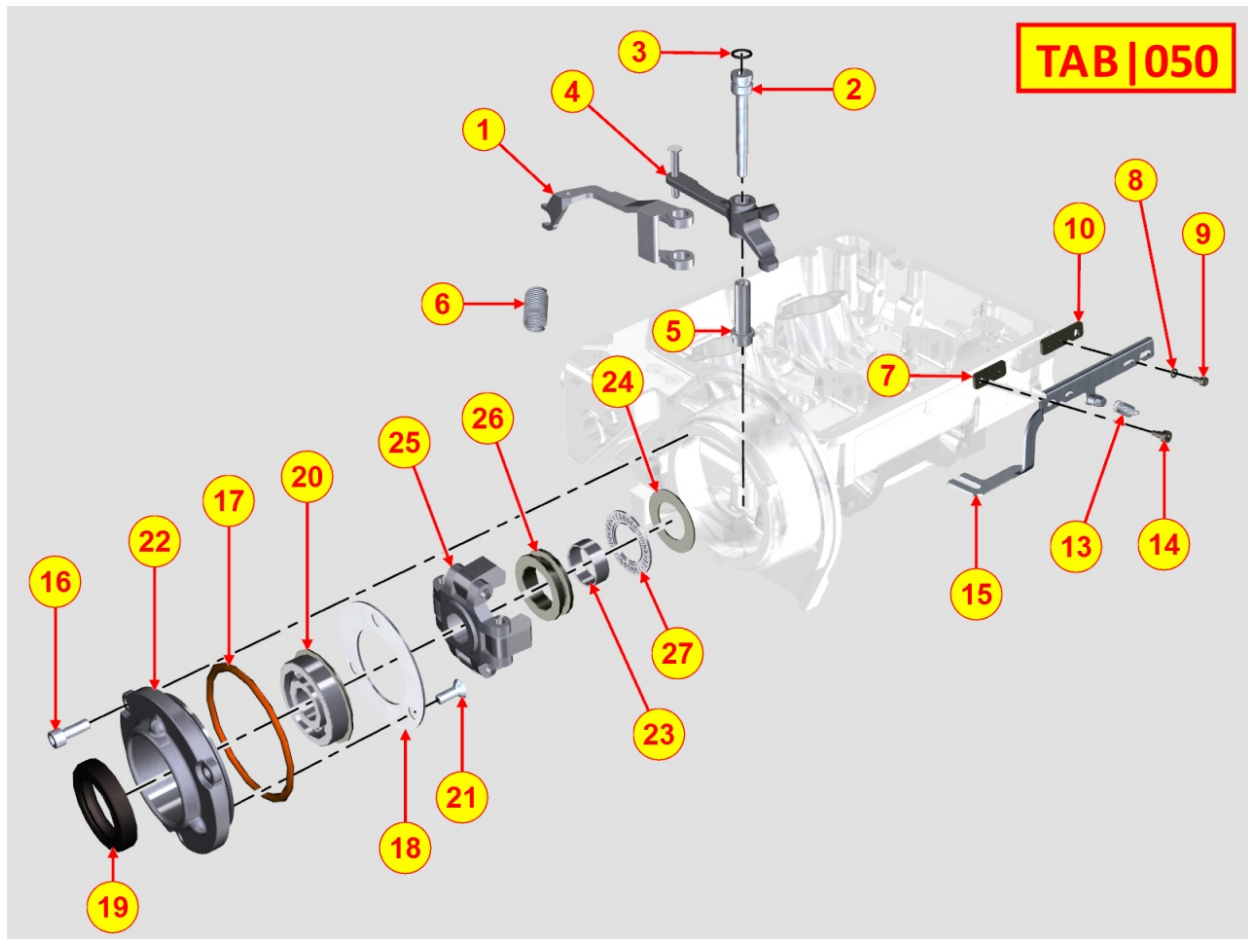


| Pos | Kit | Included In | Code | Description | Qty | Old Code | Tech. Info |
|-----|-----|-------------|----------------|-----------------|-----|----------|------------|
| 4 | | | ED0053650750-S | CONNECTING HOSE | 1 | | |
| 5 | | | ED0095991650-S | PIPE | 1 | | |
| 6 | | | ED0017701110-S | BOLT | 1 | | |
| 7 | | | ED0097301070-S | ALLEN SCREW | 6 | | |
| 8 | | | ED0026100720-S | COVER | 1 | | |
| 9 | | | ED0044311640-S | GASKET | 1 | | |
| 10 | | | ED0012000350-S | O-RING | 1 | | |

8046320050 - PUMP FOR OIL EXTRACTION

| Pos | Kit | Included In | Code | Description | Qty | Old Code | Tech. Info |
|-----|-----|-------------|----------------|--------------------------------|-----|----------|------------|
| 0 | | | ED0019010320-S | UNION BOLT | 1 | | |
| 1 | | | ED0093201410-S | TUBE | 1 | | |
| 3 | | | ED0046700610-S | COPPER WASHER D19/14.2 1.5 THK | 2 | | |
| 11 | | | ED0035274410-S | SPACER | 1 | | |

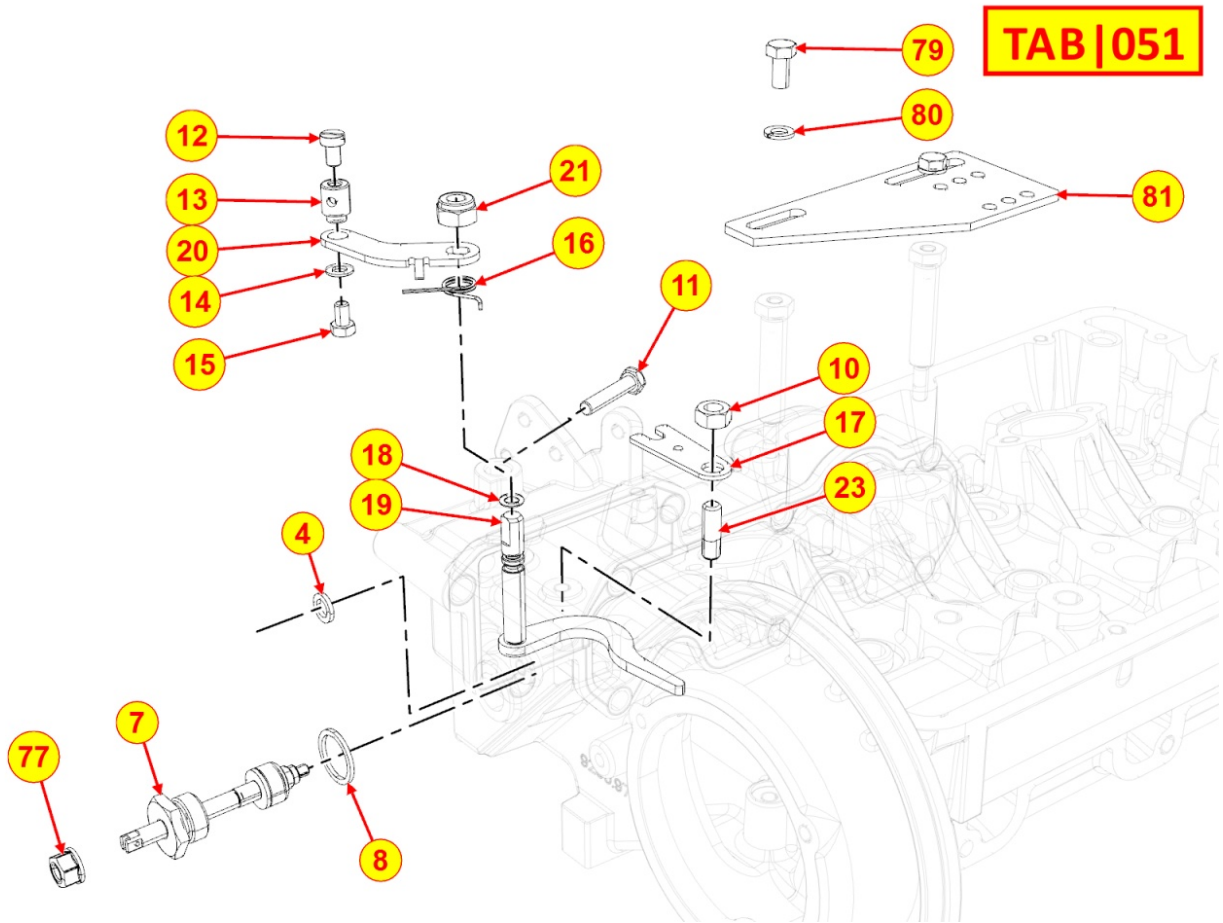
8050321280 - SPEED GOVERNOR




| Pos | Kit | Included In | Code | Description | Qty | Old Code | Tech. Info |
|-----|-----|-------------|----------------|-----------------------------|-------|----------------|------------|
| 1 | B | | ED0048963600-S | ASSEMBLY | 1 | | ▲ |
| 2 | | (B) | ED0061101010-S | PIN | 1 | | ▲ |
| 3 | | (B) | ED0012000370-S | O-RING | 1 | | |
| 4 | | (B) | | POS. 1 | 1 | | |
| 5 | | (B) | ED0019540200-S | BUSHING | 1 | | ▲ |
| 6 | | | ED0056551850-S | SPRING | 1 | | ▲ |
| 7 | | (D) (E) | ED0063200710-S | PLATE | 1 | | ▲ |
| 8 | | (D) | ED0076260370-S | WASHER | 2/4/6 | | |
| 9 | | (D) | ED0097320960-S | ALLEN SCREW | 2 | | |
| 10 | | (D) (E) | KDISC. | | 1 | ED0063200730-S | |
| 13 | | | ED0056552560-S | SPRING | 1 | | ▲ |
| 14 | | | ED0098652020-S | SPECIAL SCREW FOR PUMP RACK | 2 | | |
| 15 | E | | ED0013801030-S | ROD | 1 | | ▲ |
| 16 | | | ED0097300100-S | ALLEN SCREW | 3 | | |
| 17 | | (A) | ED0012020370-S | O-RING | 1 | | |
| 18 | | (A) | ED0062751660-S | PLATE | 1 | | |
| 19 | | (A) | ED0012133030-S | SEAL RING | 1 | | |
| 20 | | (A) | ED0030010660-S | BEARING | 1 | | |
| 21 | | | ED0098001620-S | FLARING SCREW | 3 | | |
| 22 | A | | ED0026902940-S | COVER | 1 | | |
| 23 | | (C) | ED0015850850-S | BUSHING | 1 | | |
| 24 | | | ED0073520630-S | THRUST WASHER | 1 | | |
| 25 | | | ED0088050480-S | SUPPORT | 1 | | |
| 26 | C | | ED0054012500-S | SLEEVE | 1 | | |
| 27 | | | ED0031101650-S | BEARING | 1 | | |

| Pos | Kit | Included In | Code | Description | Qty | Old Code | Tech. Info |
|-----|-----|-------------|----------------|-------------|-----|----------|------------|
| 27 | | | ED0031101650-S | BEARING | 1 | | |

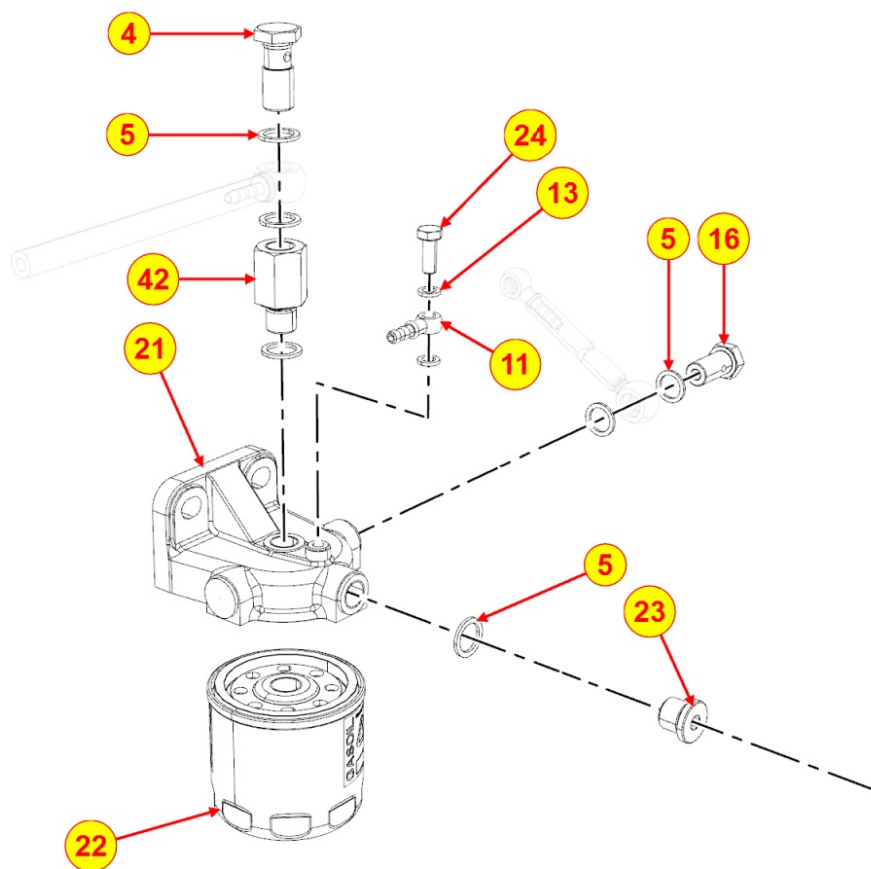
8051321280 - CONTROLS



| Pos | Kit | Included In | Code | Description | Qty | Old Code | Tech. Info |
|-----|-----|-------------|----------------|------------------------|-----|----------|---------------------------------------------------------------------------------------|
| 7 | | | ED0085760770-S | CHOKE | 1 | | |
| 8 | | | ED0044800460-S | GASKET | 1 | | |
| 10 | | | ED0032400080-S | NUT | 1 | | |
| 12 | | | ED0097900230-S | SCREW | 1 | | |
| 13 | | | ED0060000490-S | LEVER PAD | 1 | | |
| 14 | | | ED00771R0010-S | PLAIN WASHERS 5,3X10X1 | 1 | | |
| 15 | | | ED0017550010-S | BOLT | 1 | | |
| 16 | | | ED0056600470-S | SPRING | 1 | | |
| 17 | | | ED0062751140-S | PLATE | 1 | | |
| 18 | | | ED0012000510-S | O-RING | 1 | | |
| 19 | | | ED0052004130-S | LEVER | 1 | | |
| 20 | | | ED0052004140-S | LEVER | 1 | | |
| 21 | | | ED0032030750-S | NUT | 1 | | |
| 23 | | | ED0067600440-S | STUD | 1 | | |
| 76 | | | ED0017601280-S | BOLT | 1 | | |
| 77 | | | ED0032401530-S | NUT | 1 | |  |
| 79 | | | ED0017601150-S | BOLT | 2 | | |
| 80 | | | ED0075650040-S | WASHER | 2 | | |
| 81 | | | ED0084901310-S | ANGLE BRACKET | 1 | | |

8061320850 - FUEL FILTER

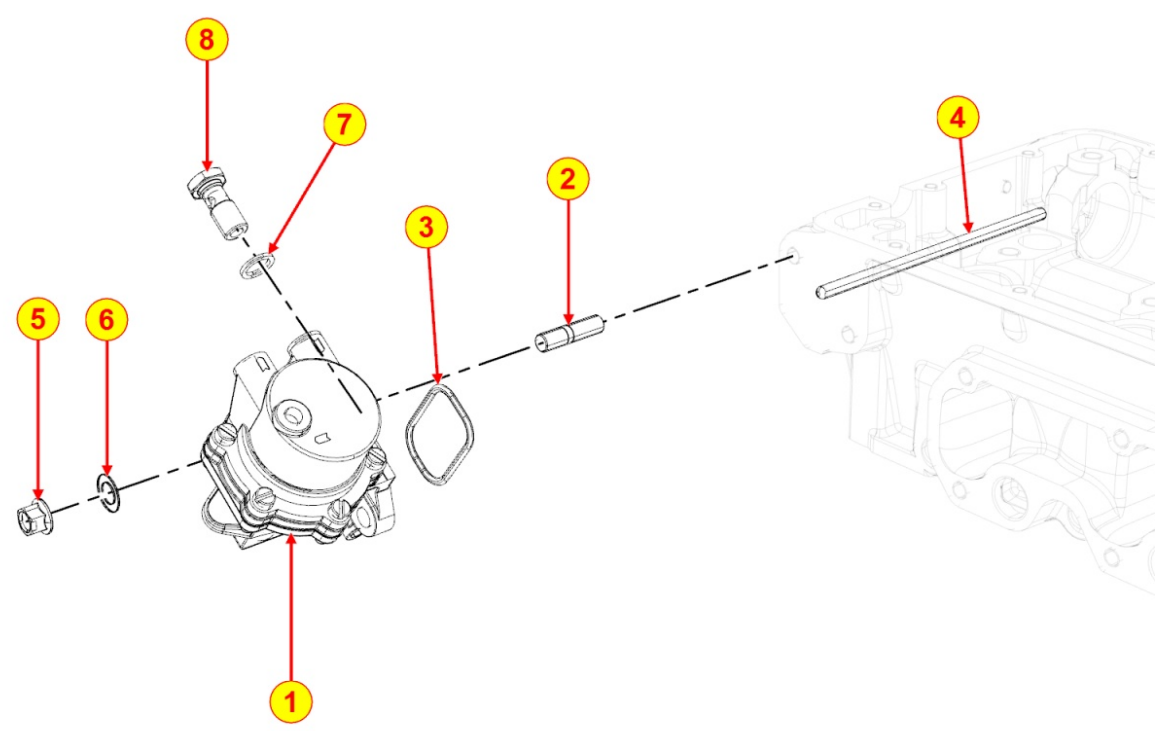
TAB | 061



| Pos | Kit | Included In | Code | Description | Qty | Old Code | Tech. Info |
|-----|-----|-------------|----------------|--------------------------------|-----|----------|------------|
| 4 | | | ED0015700450-S | FILLER | 1 | | |
| 5 | | | ED0046700610-S | COPPER WASHER D19/14.2 1.5 THK | 8 | | |
| 11 | | | ED0072701080-S | JOINT | 1 | | |
| 13 | | | ED0046700620-S | COPPER WASHER D10/6.2 1.5 THK | 2 | | |
| 16 | | | ED0019010320-S | UNION BOLT | 1 | | |
| 21 | | | ED0037302370-S | FUEL FILTER | 1 | | |
| 22 | | (A) | ED0021752880-S | FUEL FILTER CARTRIDGE | 1 | | |
| 23 | | | ED0090400120-S | CAP | 1 | | |
| 24 | | | ED0090800370-S | CAP | 1 | | |
| 24 | | | ED0019010330-S | UNION BOLT | 1 | | |

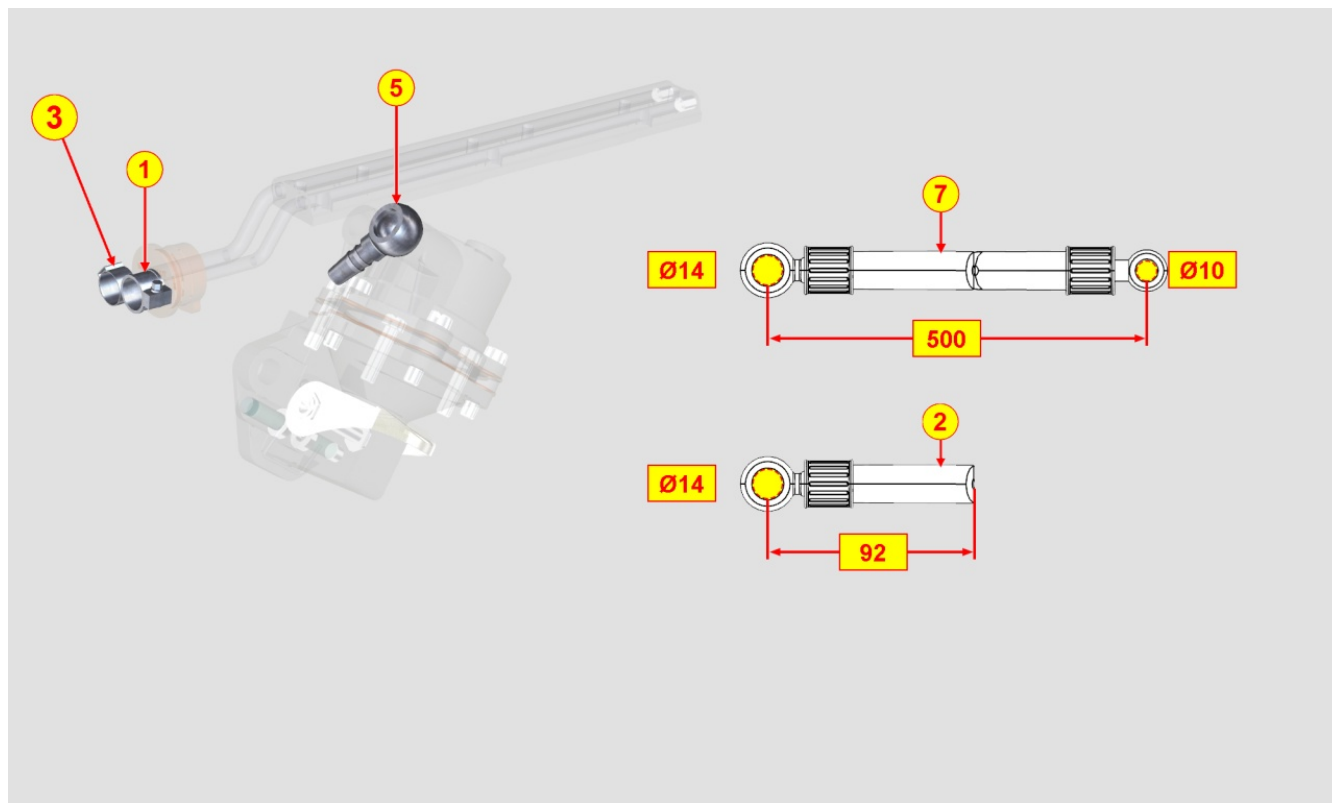
8062320430 - FUEL FEED PUMP

TAB | 062



| Pos | Kit | Included In | Code | Description | Qty | Old Code | Tech. Info |
|-----|-----|-------------|----------------|---------------------------|-----|----------|------------|
| 1 | | | ED0065851510-S | LIFT PUMP | 1 | | |
| 2 | | | ED0067800080-S | STUD | 2 | | |
| 3 | | | ED0012000870-S | O-RING | 1 | | |
| 4 | | | ED0072007210-S | DRIVE ROD | 1 | | |
| 5 | | | ED0032401640-S | NUT | 2 | | |
| 6 | | | ED0075550290-S | WASHER | 2 | | |
| 7 | | | ED0046700590-S | COPPER WASHER D14/10.2 1. | 2 | | |
| 8 | | | ED0019011930-S | UNION BOLT | 1 | | |

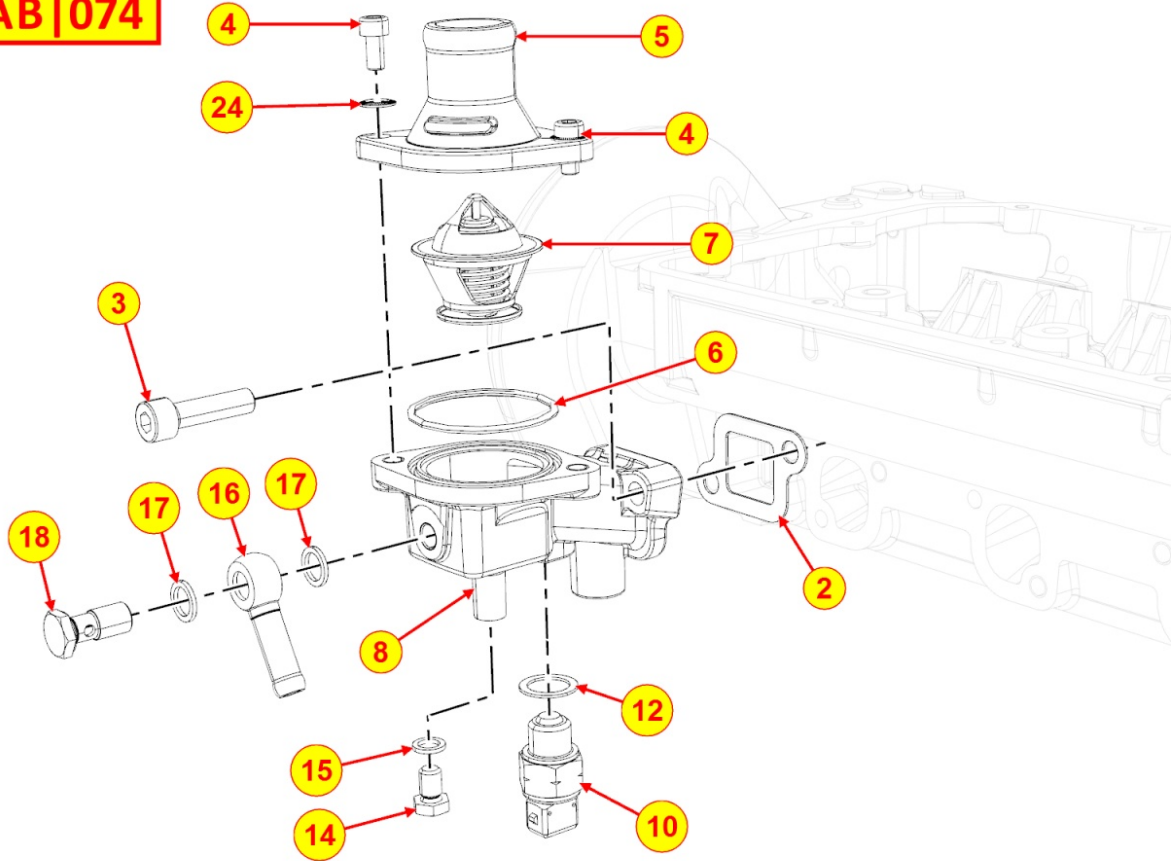
8064320690 - FUEL LINES




| Pos | Kit | Included In | Code | Description | Qty | Old Code | Tech. Info |
|-----|-----|-------------|----------------|----------------------|-----|----------|------------|
| 1 | | | ED0036300500-S | CLAMP | 1 | | |
| 2 | | | ED0093758780-S | TUBE | 1 | | |
| 3 | | | ED0036300040-S | CLAMP | 1 | | |
| 6 | | | ED0072701040-S | JOINT | 1 | | |
| 7 | | | ED0093759440-S | FUEL PIPE (L.MARINE) | 1 | | |

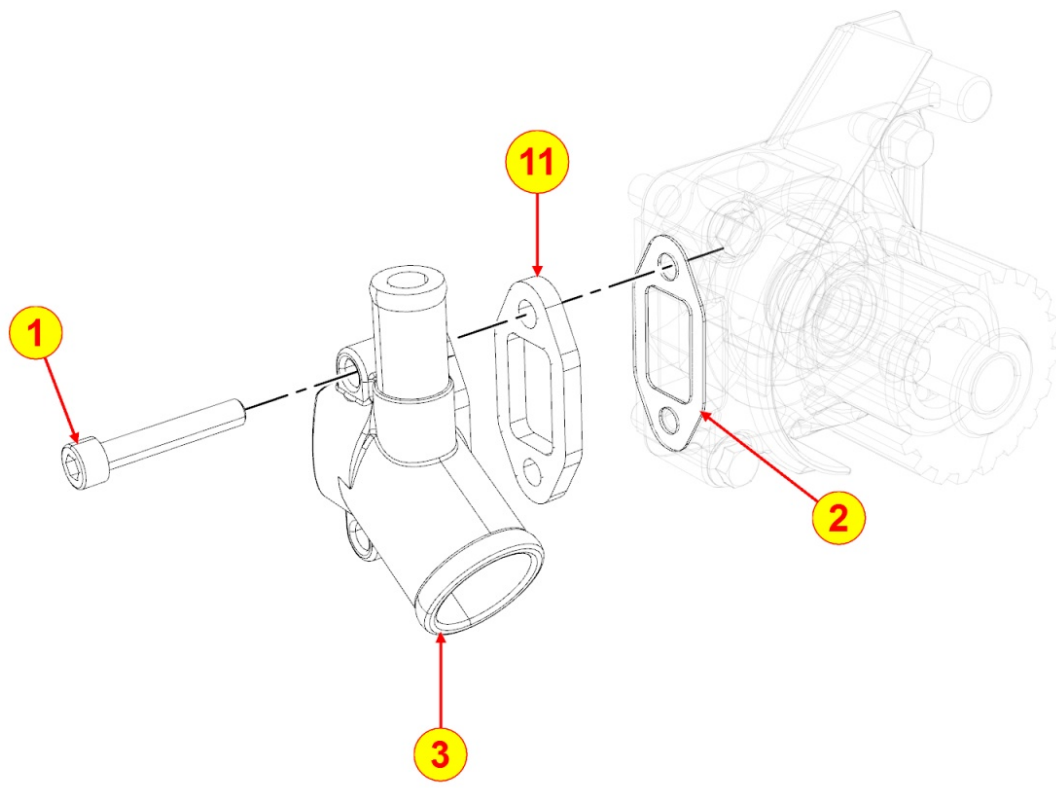
8074320560 - THERMOSTAT UNIT

TAB | 074



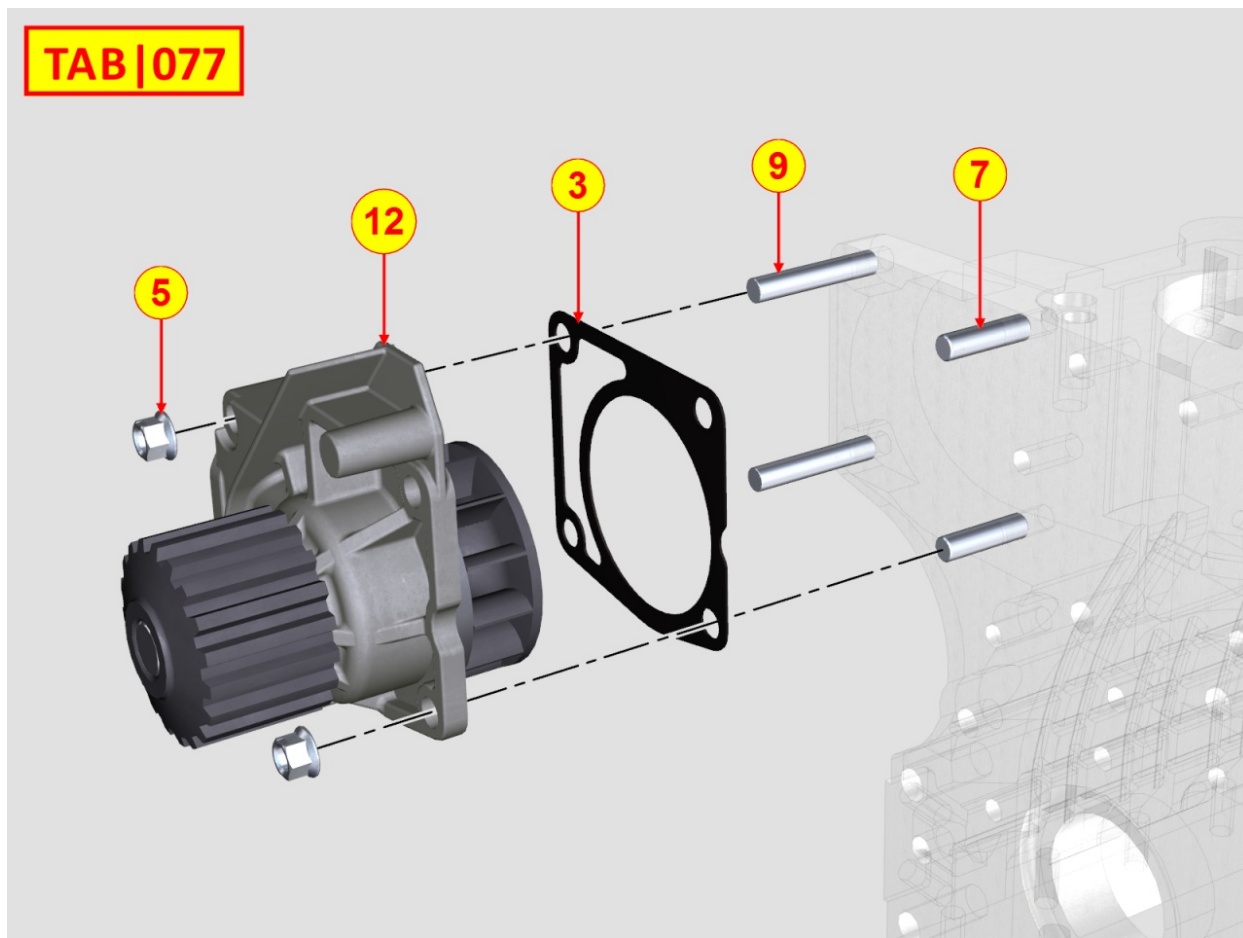
| Pos | Kit | Included In | Code | Description | Qty | Old Code | Tech. Info |
|-----|-----|-------------|----------------|--------------------------------|-----|----------|---------------------------------------------------------------------------------------|
| 2 | | | ED0044600370-S | GASKET | 1 | | |
| 3 | | | ED0097320640-S | ALLEN SCREW | 2 | | |
| 4 | | (A) | ED0097320740-S | ALLEN SCREW | 2 | | |
| 5 | | (A) | ED0027502790-S | COVER | 1 | | |
| 6 | | (A) | ED0012000910-S | O-RING | 1 | | |
| 7 | | (A) | ED0091951240-S | WATER THERMOSTAT | 1 | | |
| 8 | | (A) | ED0028712840-S | BODY | 1 | | |
| 9 | | (A) | ED0046700610-S | COPPER WASHER D19/14.2 1.5 THK | 1 | | |
| 10 | | (A) | ED0091951080-S | THERMIST.-THERMOCONT. F16502 | 1 | |  |
| 12 | | (A) | ED0046700190-S | COPPER WASHER D22X16.2 1 | 1 | | |
| 13 | | (A) | ED0090400120-S | CAP | 1 | | |
| 14 | | (A) | ED0089650340-S | CAP | 1 | | |
| 15 | | (A) | ED0046700580-S | COPPER WASHER 8,2X12X1,5 | 1 | | |
| 16 | | (A) | ED0072702380-S | JOINT | 1 | | |
| 17 | | (A) | ED0046700590-S | COPPER WASHER D14/10.2 1. | 2 | | |
| 18 | | (A) | ED0019011930-S | UNION BOLT | 1 | | |

8075320180 - COOLANT INLET FLANGE



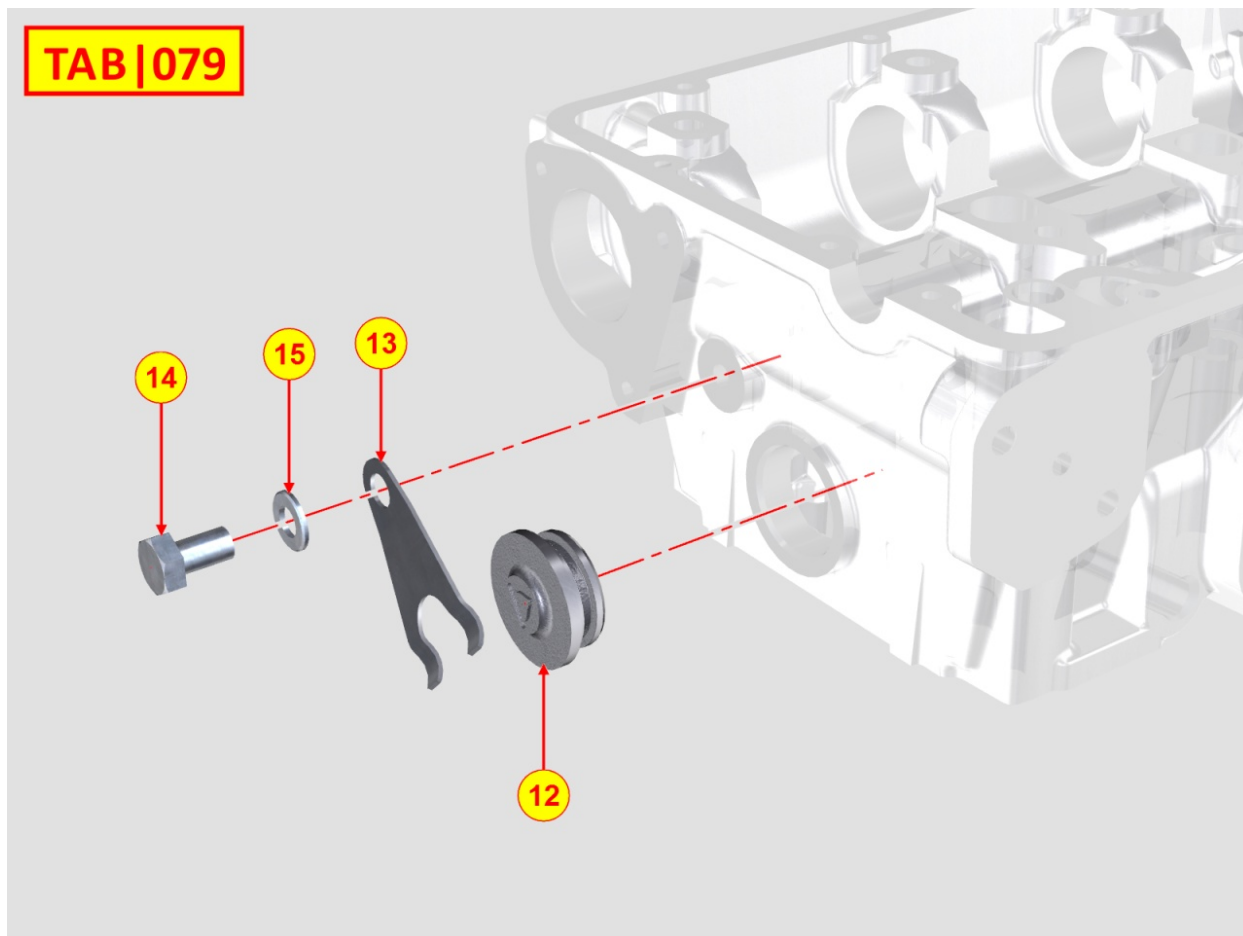
| Pos | Kit | Included In | Code | Description | Qty | Old Code | Tech. Info |
|-----|-----|-------------|----------------|-------------|-----|----------|------------|
| 1 | | | ED0097320160-S | ALLEN SCREW | 2 | | |
| 2 | | | ED0045011580-S | GASKET | 2 | | |


8077320090 - COOLANT PUMP



| Pos | Kit | Included In | Code | Description | Qty | Old Code | Tech. Info |
|-----|-----|-------------|----------------|-------------|-----|----------|------------|
| 2 | | | ED0065845400-S | WATER PUMP | 1 | | |
| 3 | | | ED0045802150-S | GASKET | 1 | | |
| 5 | | | ED0032401640-S | NUT | 4 | | |
| 7 | | | ED0067800050-S | STUD | 2 | | |
| 9 | | | ED0067801830-S | STUD | 2 | | |

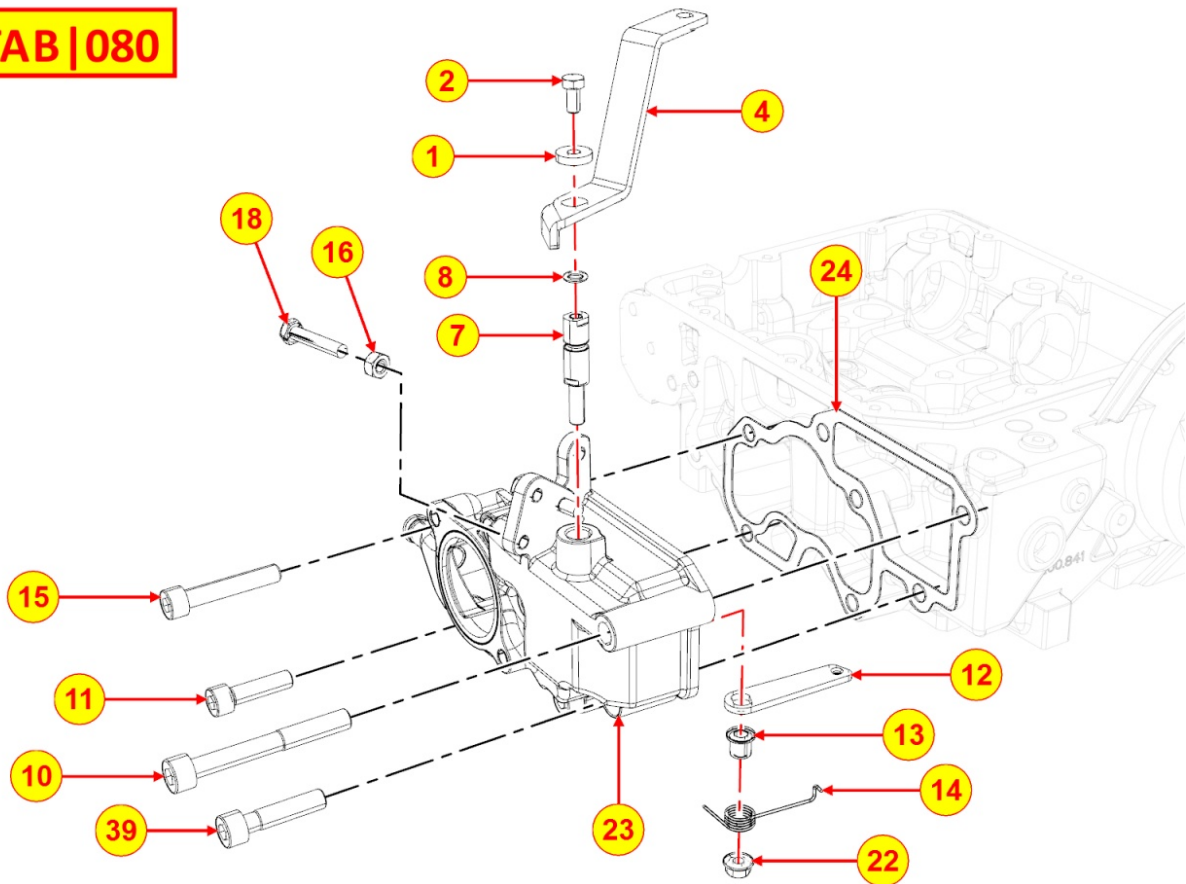
8079320110 - FITTING FOR CAB HEATING



| Pos | Kit | Included In | Code | Description | Qty | Old Code | Tech. Info |
|-----|-----|-------------|----------------|-------------|-----|----------|---------------------------------------------------------------------------------------|
| 11 | | | | 802132...0 | | | |
| 12 | | | ED0090650070-S | CAP | 1 | |  |
| 13 | | | | 802132...0 | | | |
| 14 | | | | 802132...0 | | | |
| 15 | | | | 802132...0 | | | |

8080321480 - AIR INLET MANIFOLD / AIR FILTER

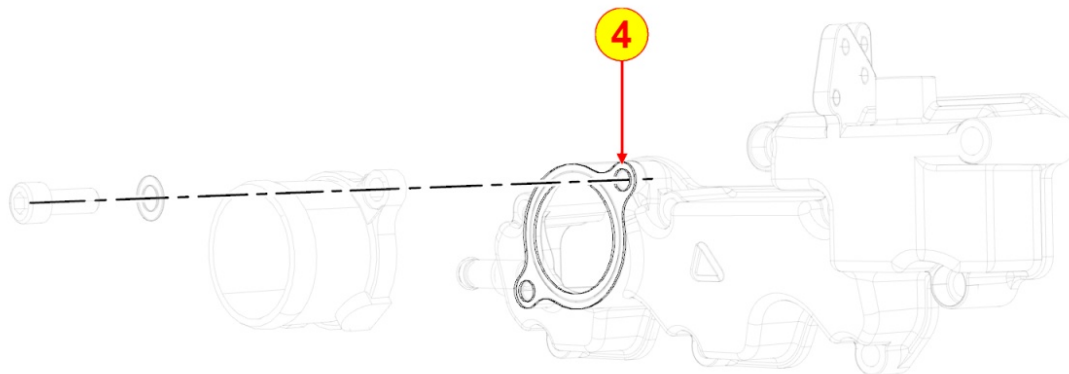
TAB | 080



| Pos | Kit | Included In | Code | Description | Qty | Old Code | Tech. Info |
|-----|-----|-------------|----------------|-------------|-----|----------------|------------|
| 1 | | | ED0076253800-S | WASHER | 1 | | |
| 2 | | | ED0017551010-S | BOLT | 1 | | |
| 4 | | | ED0052013430-S | LEVER | 1 | | ⚠ |
| 7 | | | ED0061405500-S | PIN | 1 | | ⚠ |
| 8 | | (B) | ED0012000520-S | O-RING | 1 | | ⚠ |
| 10 | | | ED0097300350-S | ALLEN SCREW | 1 | | |
| 11 | | | ED0097320640-S | ALLEN SCREW | 2 | | |
| 12 | | (B) | ED0052006740-S | LEVER | 1 | | |
| 13 | | (B) | ED0019570140-S | BUSHING | 1 | | |
| 14 | | (B) | ED0056600650-S | SPRING | 1 | | ⚠ |
| 15 | | | ED0097300320-S | ALLEN SCREW | 3 | | |
| 16 | | (B) | ED0032400080-S | NUT | 2 | | |
| 18 | | (B) | ED0017600230-S | BOLT | 2 | | |
| 18 | | (B) | ED0017600290-S | BOLT | 1 | | |
| 20 | | (A) (B) | ED0095991570-S | PIPE | 1 | | |
| 22 | | | ED0032030500-S | NUT | 1 | | |
| 23 | A | | ED0024862650-S | MANIFOLD | 1 | | ⚠ |
| 23 | | | ED0024862650-S | MANIFOLD | 1 | ED0048966510-S | ⚠ |
| 24 | | | ED0044200800-S | GASKET | 1 | | |
| 39 | | | ED0097320630-S | ALLEN SCREW | 1 | | |

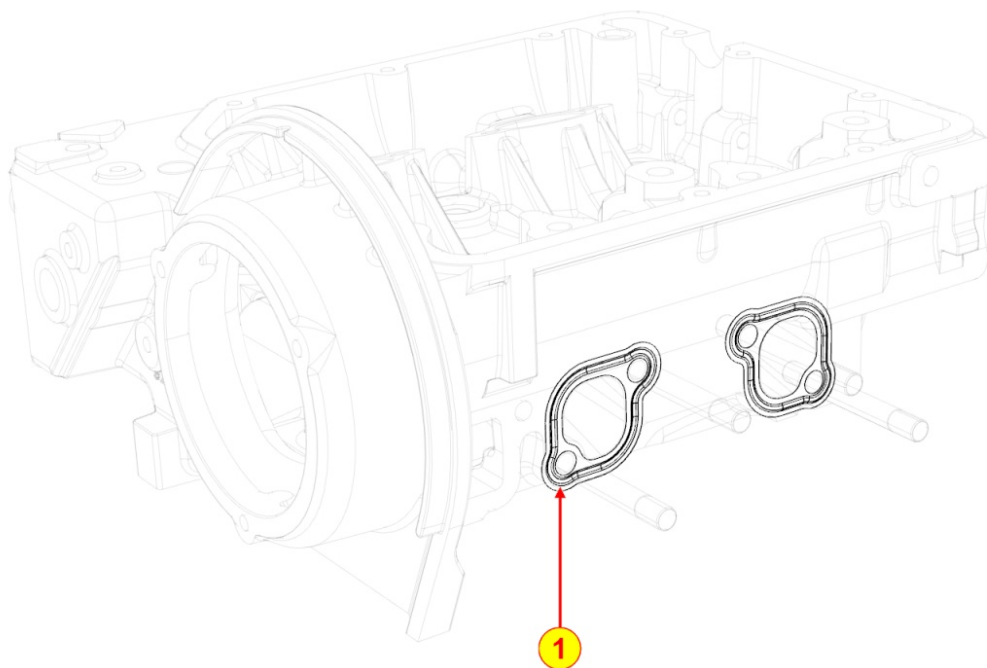
8082320850 - AIR INLET ACCESORIES

TAB | 082



| Pos | Kit | Included In | Code | Description | Qty | Old Code | Tech. Info |
|-----|-----|-------------|----------------|-------------|-----|----------|------------|
| 4 | | | ED0045010810-S | GASKET | 1 | | |

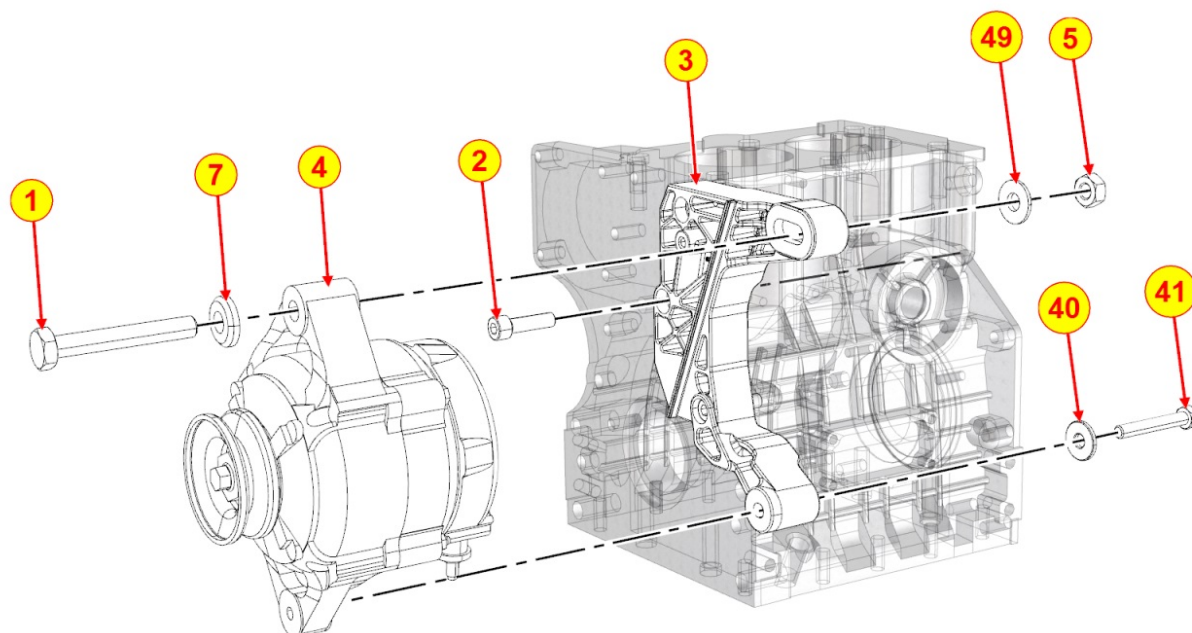
8085320210 - EXHAUST GAS MANIFOLD




| Pos | Kit | Included In | Code | Description | Qty | Old Code | Tech. Info |
|-----|-----|-------------|----------------|-------------|-----|----------|------------|
| 1 | | | ED0044200700-S | GASKET | 2 | | |

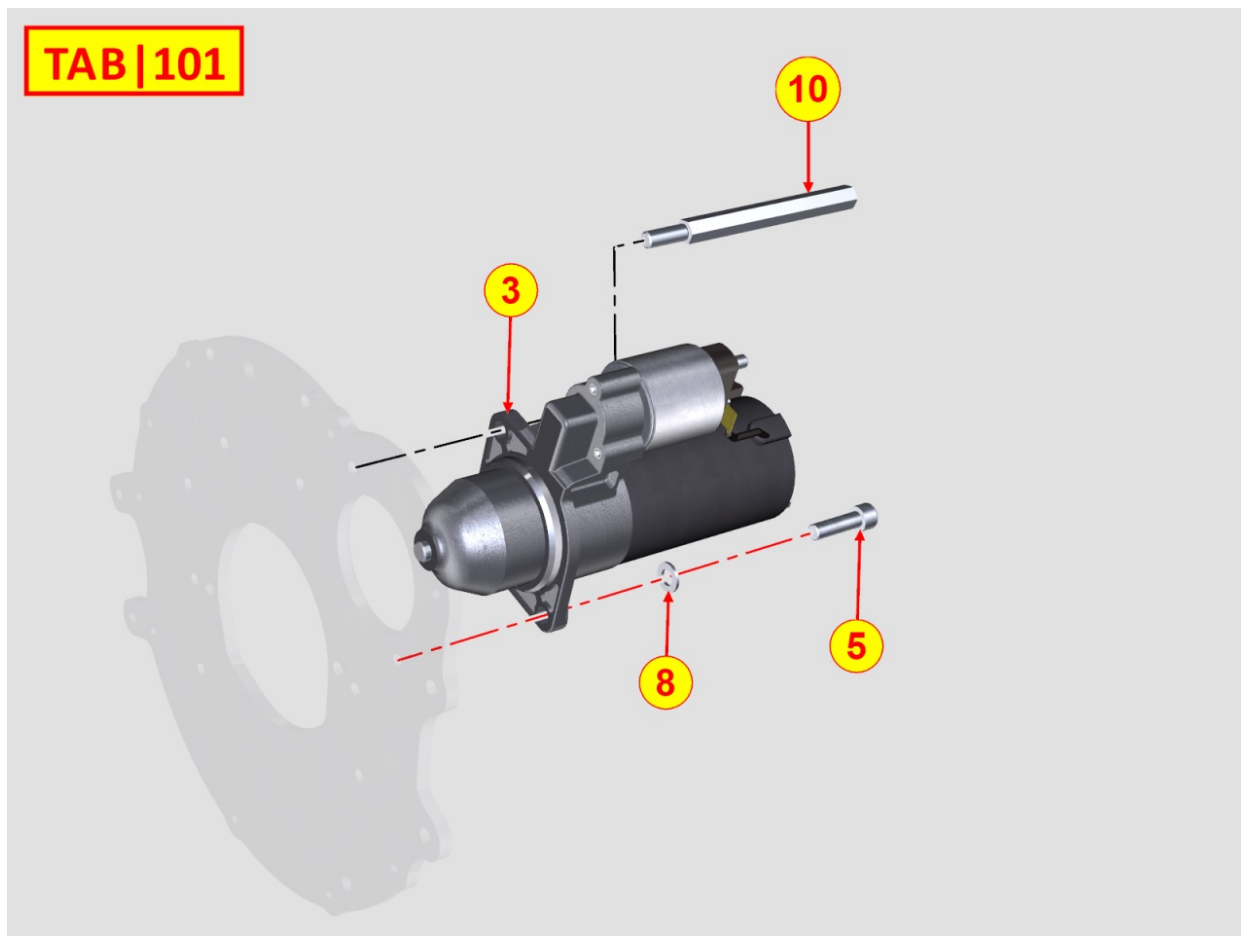
8100320860 - VOLTAGE ALTERNATOR

TAB | 100



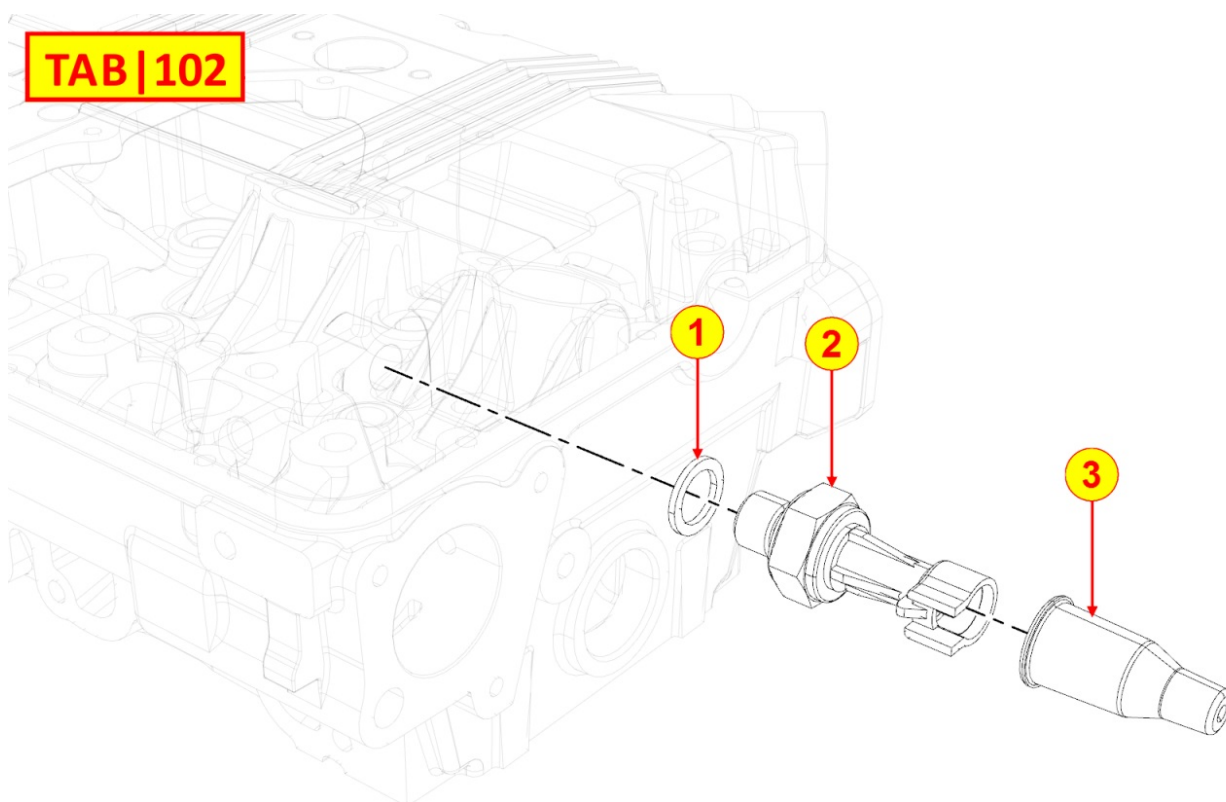
| Pos | Kit | Included In | Code | Description | Qty | Old Code | Tech. Info |
|-----|-----|-------------|----------------|-------------|-----|----------|---------------------------------------------------------------------------------------|
| 1 | | | ED0017800150-S | BOLT | 1 | | |
| 2 | | | ED0097320640-S | ALLEN SCREW | 2 | | |
| 3 | | | ED0087250800-S | SUPPORT | 1 | | |
| 4 | | | ED0011573260-S | ALTERNATOR | 1 | |  |
| 5 | | | ED0032400330-S | NUT | 1 | | |
| 7 | | | ED0076250220-S | WASHER | 1 | | |
| 18 | | | ED0097301180-S | ALLEN SCREW | 1 | | |
| 40 | | | ED0076250980-S | WASHER | 1 | | |
| 41 | | | ED0017700150-S | BOLT | 1 | | |
| 49 | | | ED0076252560-S | WASHER | 1 | | |

8101320360 - STARTING MOTOR



| Pos | Kit | Included In | Code | Description | Qty | Old Code | Tech. Info |
|-----|-----|-------------|----------------|----------------|-----|----------------|------------|
| 3 | | | ED0058401940-S | STARTING MOTOR | 1 | | |
| 3 | | | ED0058401940-S | STARTING MOTOR | 1 | ED0058401960-S | |
| 5 | | | ED0097300440-S | ALLEN SCREW | 1 | | |
| 8 | | | ED0076251130-S | WASHER | 1 | | |
| 10 | | | ED0025011630-S | HOLLOW STUD | 1 | | |

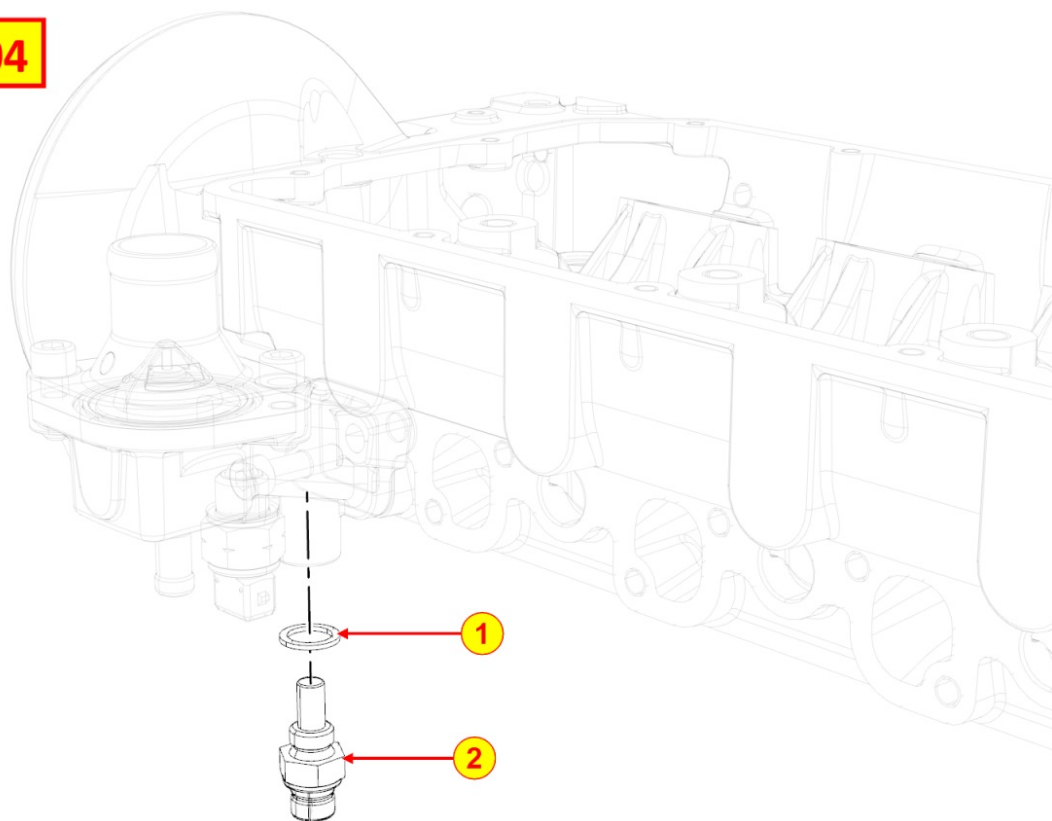
8102320290 - OIL PRESSURE SWITCH



| Pos | Kit | Included In | Code | Description | Qty | Old Code | Tech. Info |
|-----|-----|-------------|----------------|-----------------|-----|----------|------------|
| 2 | | | ED0067450970-S | PRESSURE SWITCH | 1 | | |

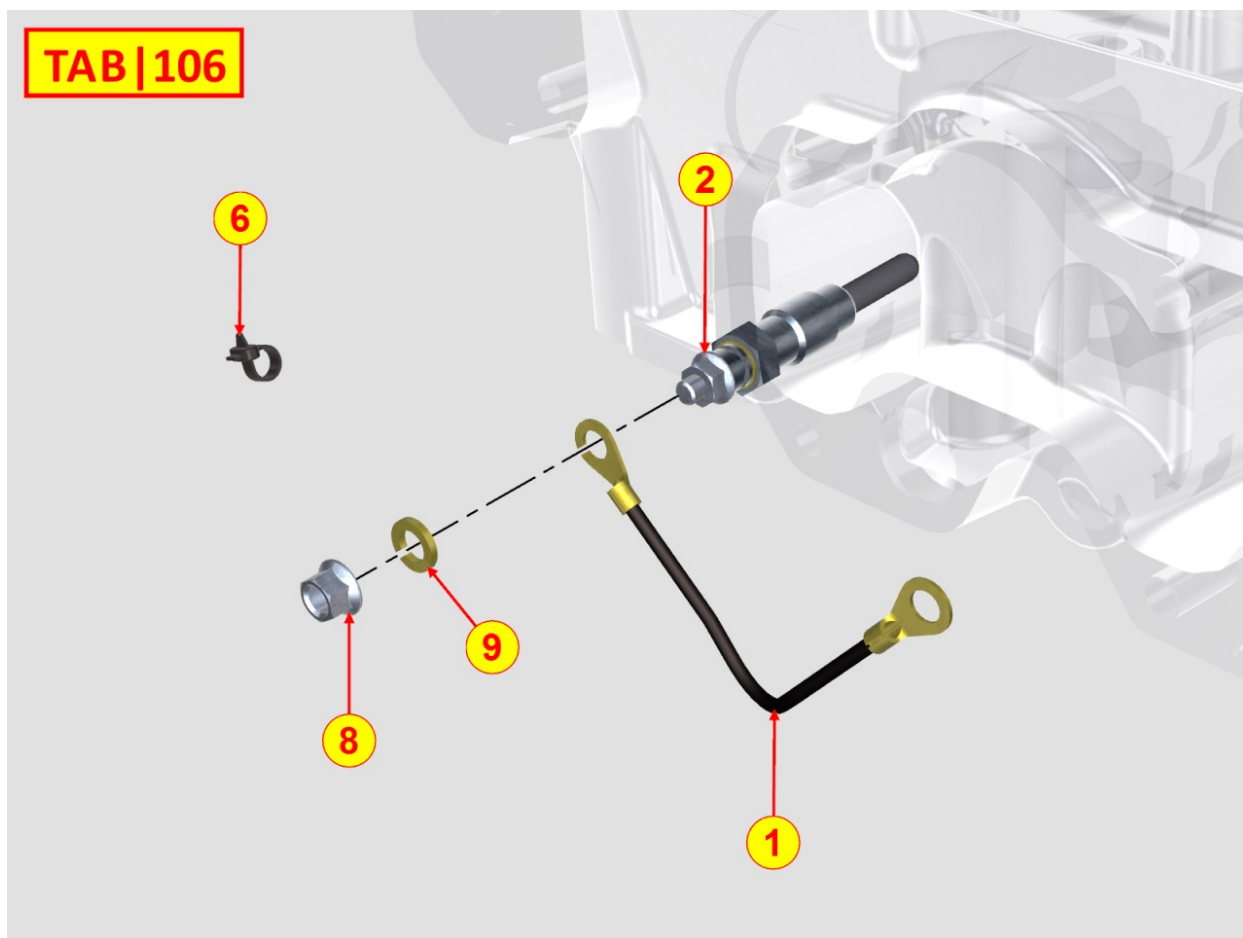
8104320090 - TEMPERATURE SENSORS


TAB | 104



| Pos | Kit | Included In | Code | Description | Qty | Old Code | Tech. Info |
|-----|-----|-------------|----------------|--------------------------------|-----|----------|------------|
| 1 | | | ED0046700610-S | COPPER WASHER D19/14.2 1.5 THK | 1 | | |
| 2 | | | ED0091950780-S | TEMPERATURE SENSOR | 1 | | |

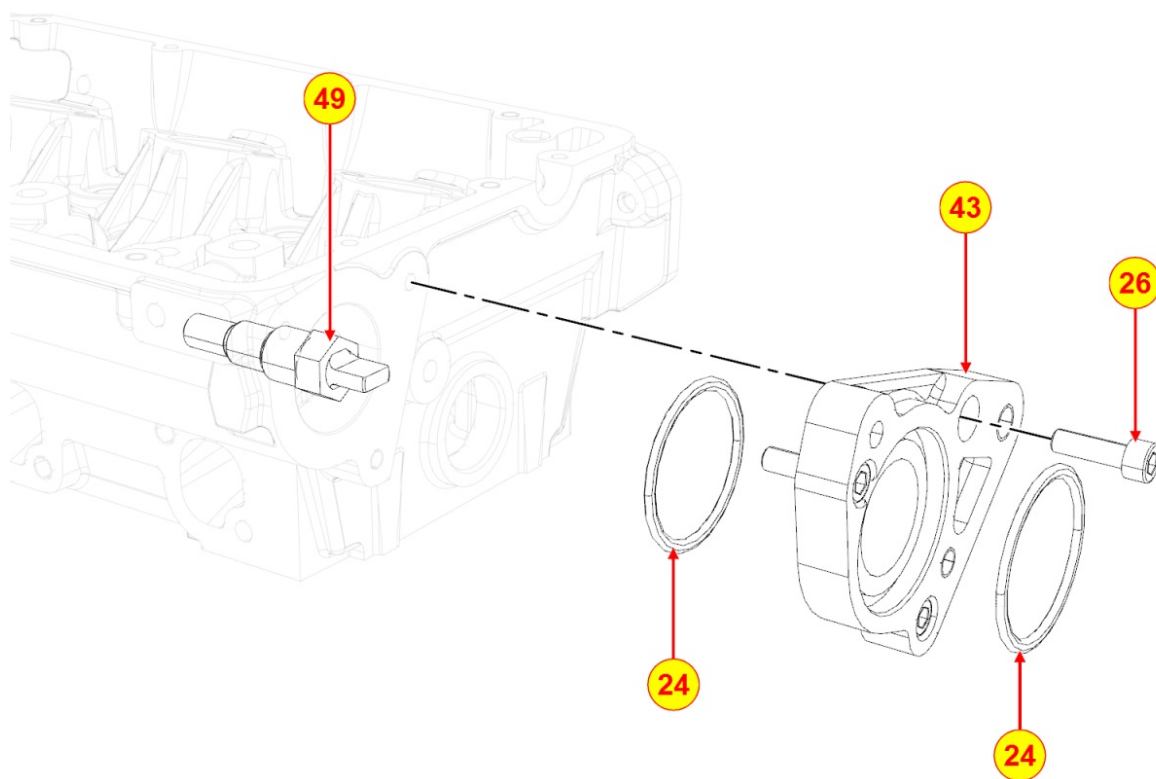
8106320310 - GLOW PLUGS / PRE-HEATING RELAY



| Pos | Kit | Included In | Code | Description | Qty | Old Code | Tech. Info |
|-----|-----|-------------|----------------|-------------|-----|----------|---------------------------------------------------------------------------------------|
| 1 | | | ED0021855480-S | CABLE | 1 | | |
| 2 | A | | ED0021001090-S | GLOW PLUG | 2 | |  |
| 6 | | | ED0024710190-S | CABLE TIE | 1 | | |

8140320470 - 3rd PTO

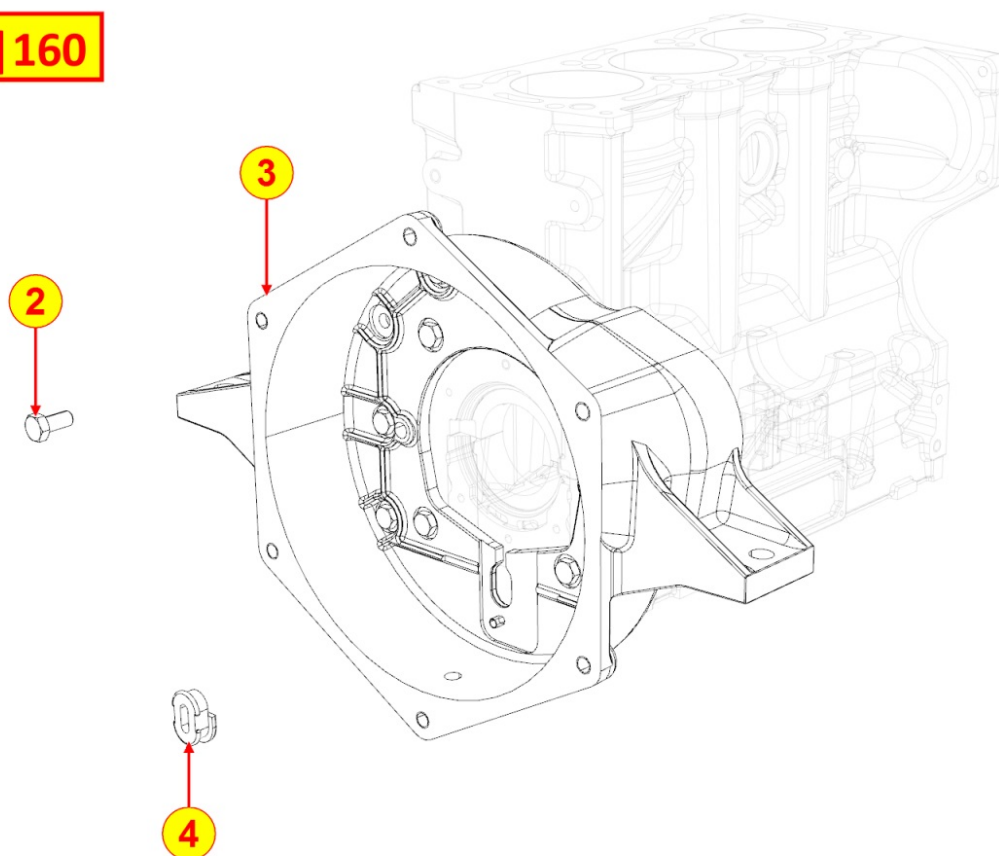
TAB | 140



| Pos | Kit | Included In | Code | Description | Qty | Old Code | Tech. Info |
|-----|-----|-------------|----------------|-------------|-----|----------|------------|
| 24 | | | ED0012002330-S | O-RING | 2 | | |
| 26 | | | ED0097304160-S | ALLEN SCREW | 3 | | |
| 43 | | | ED0088361970-S | SUPPORT | 1 | | |
| 49 | | | ED0042400590-S | COUPLING | 1 | | |



8160320790 - ENGINE FLANGE / BACKPLATE

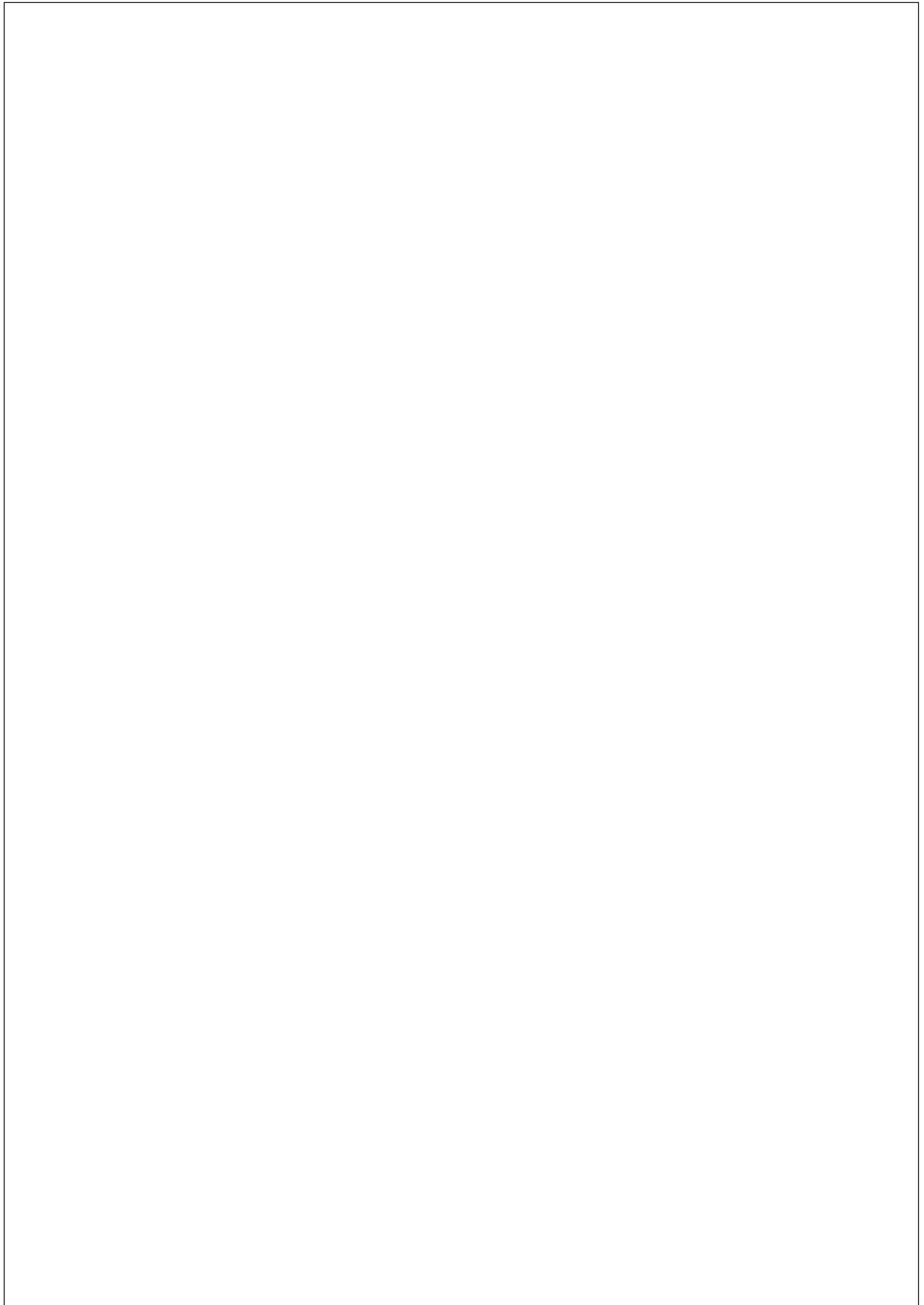
TAB | 160



| Pos | Kit | Included In | Code | Description | Qty | Old Code | Tech. Info |
|-----|-----|-------------|----------------|----------------|-----|----------|------------|
| 2 | | | ED0017701970-S | BOLT | 8 | | |
| 3 | | | ED0020323910-S | ENGINE HOUSING | 1 | | |
| 4 | | | ED0090001330-S | CAP | 1 | | |

8198328990 - SPECIAL DETACHED COMPONENTS

| Pos | Kit | Included In | Code | Description | Qty | Old Code | Tech. Info |
|-----|-----|-------------|----------------|-----------------|-----|----------|-------------------------------------------------------------------------------------|
| 0 | | | ED0090001340-S | CAP | 1 | | |
| 0 | | | ED0090802140-S | CAP | 1 | | |
| 0 | | | ED0084000200-S | PIN | 2 | | |
| 0 | | | ED0069275040-S | GUARD | 1 | | |
| 0 | | | ED0057150890-S | SPRING | 1 | | |
| 0 | | | ED0053650760-S | CONNECTING HOSE | 1 | |  |
| 0 | | | ED0024404220-S | CINGHIA/V-BELT | 1 | | |
| 0 | | | ED0032050780-S | NUT | 1 | | |
| 0 | | | ED0036301450-S | CLAMP | 2 | | |
| 0 | | | ED0036301470-S | CLAMP | 1 | | |
| 0 | | | ED0019500080-S | BUSHING | 1 | | |
| 0 | | | ED0012003280-S | O-RING | 3 | | |
| 0 | | | ED0012000010-S | O-RING | 1 | | |
| 0 | | | ED0012000410-S | O-RING | 1 | | |
| 0 | | | ED0014003460-S | DIPSTICK | 1 | | |
| 0 | | | ED0012020470-S | O-RING | 1 | | |
| 0 | | | ED0097302310-S | ALLEN SCREW | 1 | | |
| 0 | | | ED0097302790-S | ALLEN SCREW | 4 | | |
| 0 | | | ED0093301320-S | PIPE | 1 | | |
| 0 | | | ED0096800340-S | VALVE | 1 | |  |



KOHLER® ENGINES