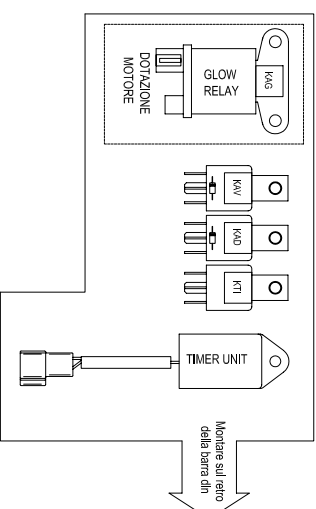


AL CONNETTORE ILMF  
10 POLI  
SPRUELE 7mm  
E NUMERARE

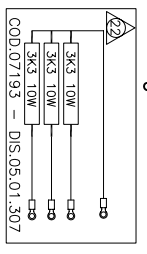
8	BLOCC. HSG 4V + F.F.HSG 6.3	1+4	33195	+	33196
6	PUNTI.10mmq	18	31739	---	---
6	PUNTI.NUDO 2,5X 7	23	31383	---	---
5	FORC.PRES.D. 4 ROSSO	2	31090	---	---
4	OCCHISOL.D. 8X 16MMQ TUBO CU	1	31065	---	---
3	CONFIATTO FEMM.MATE-N-LOK(100)	9	32169	---	---
2	OCCHISOL.D. 6X 10MMQ TUBO CU	4	31062	---	---
1	FAST.FEMM.MA 6,3 + COPRIFASTON	30+30	30215	+	30216

N.B.: Nel caso la chiave avvionimento a cod. 32449 sia il modello COBO 14.115.000 il periscopio va collegato al faston indicato con '19' nel caso sia il modello COBO 14.112.000 va collegato al faston indicato con '15/54'. Tutti gli altri comandi sono numerati allo stesso maniera.

dis.30.92.117

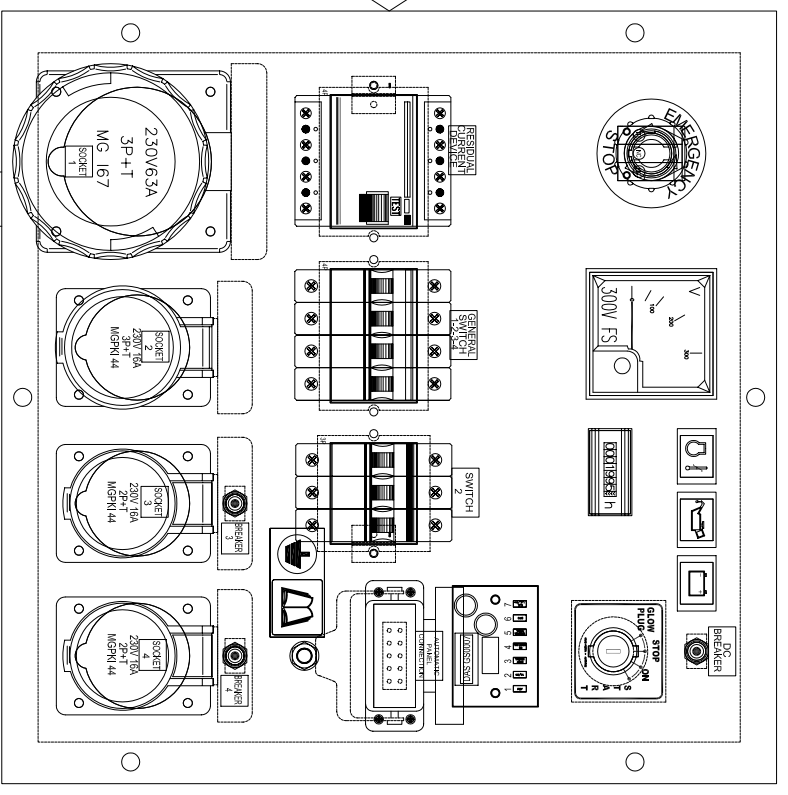


RESIDUAL CURRENT DEVICE	DC BREAKER	KAV	KAD	KAG	KTI
GENERAL SWITCH	SWITCH	3	4	3	4
SOCKET	SOCKET	1	2	3	4



Allegare al G.P.

35	FRUITO PRESA ILMF CDAF 10	1	32468	---	---
34	CONNET.ILMF CZV15/5 INCOSSO	1	32471	---	---
33	PUNTO NEUTRO ARTIFICIALE	1	07193	05.01.307	---
34	ADACCENSIONE MPL 44 +PREPERS.52X56	1	42859	30.92.041-00	---
33	TARGHETTA 1527AD RIGIDA BIA	4	42550	---	---
32	TARGHETTA 1517AD RIGIDA BIA	10	42549	---	---
30	IDIDO 1N4004	5	20417	---	---
31	RELE 12V 30A SIFEA 1958	3	30415	---	---
30	TIMER UNIT HCO1 1SEC.	1	33081	---	---
29	FAST.FEMM.MA HSG 6.3	4	33196	---	---
28	BLOCCETTO HSG 4VIE F	1	33195	---	---
27	BLOCCETTO MATE-N-LOCK 12VIE F	1	32399	---	---
26	CONFIATTO FEMM.MATE-N-LOK(100)	8	32169	---	---
25	AD.SIMBOLO TERRA GIALLO	1	40702	---	---
24	PRESA MG 16A 230V 2P+T PK144	2	33809	---	---
23	PRESA MG 16A 230V 3P+T PK144	1	33958	---	---
22	PRESA MG 63A 230V 3P+T 167	1	33359	---	---
21	SIFEA SUPP.MAGNETI.H 49 ZN	2	05260	28.41.017	---
19	PROT.INT.MAGN.TERM. 4P - SIL	1	71469	---	---
19	PROT.INT.MAGN.TERM. 4P - SIL	2	71470	---	---
18	INT.MAGN.TERMICO 3P 16A	1	30651	---	---
17	INT.MAGN.TERMICO 4P 50A	1	32738	---	---
16	INT.DIFF.PURV 4P 63A 0.03	1	33441	---	---



CAVI POTENZA

15	VOLMETRO 300V FS 72x72	1	31837	---	---
14	CONTRADE 220V 50Hz	1	31272	---	---
13	SCHEDA "DAS GS0007 MINI"	1	33812	---	---
12	CONFIATTO NC A-B 800F-ALM	3	33485	---	---
11	BASE FISSAGGIO A-B 800F-ALM	1	33482	---	---
10	PULSANTE A FUNGO 800FM-M144	1	41175	05.05.642	---
9	TARCA ARRESTO DE=60 DI=25	3	30270	---	---
8	CAVOTTA PER 111-211 TIPO H	3	30266	---	---
7	MICRODISG.TERM.111-211 15A	3	33169	---	---
6	LAMPADA SPA T10 12V 3W	1	33168	---	---
5	SEGNALATORE TEMP.TESIA CIL.	1	33167	---	---
4	SEGNALATORE BASSA PRESS.OILIO	1	33165	---	---
3	SEGNALATORE BATTERIA	1	33137	---	---
2A	COPPIA CHIAVI X 32449	1+1	32449	+	33890
2	CHIAVE PREPERS.C. + ADATTATORE	1	026357	30.92.119	---
1	PAN.STIMPF 22 1230 S*MYVD NER	1	026357	30.92.119	---

G.P.ST.MPF 22150.230 S\*MYVD YL

DATA	13/07/09	DISEGNATO	CONTROLLATO	APPROVATO	VERIF.NORME	REVISIONI NON AUTORIZZATE
FIRMA	Ugolini O.					
Ugolini O.						

QUOTE NON TOLLERATE SCALMA UNI ISO 2768 (m k) FORI + ALBERI - 1:1

CODICE 026353

00

13-02-13 Ugolini O. Ugolini O.  
Data Firma Approvato

inserito contatti NC fungo su bobine rele KAV/KAD  
Descrizione Modifica

MASE GENERATORS S.p.A.  
Via Tordona, 345  
47023 Cesena (FC) - Italy  
Tel. +39 0547 354311 - Fax. +39 0547 317555  
www.masegenerators.com  
e-mail: masegenerators@com  
masegenerators.com

G.P.ST.MPF 22150.230 S\*MYVD YL

CODICE 026353

00