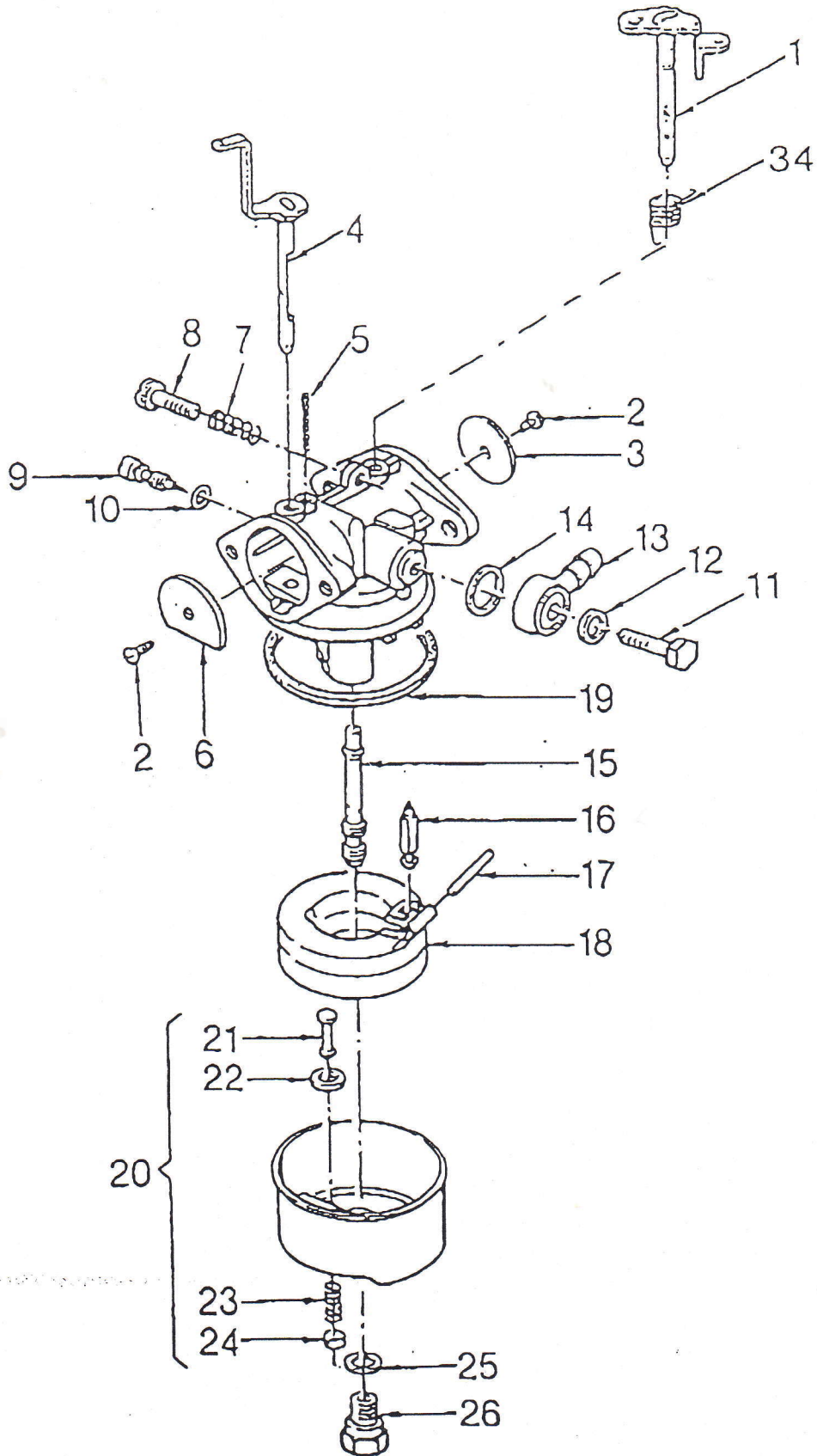


23020112



TECUMSEH EUROPA S.p.A

Carburettor 2 3 0 2 0 1 1 2		
Ref.No.	Part.No.	Part.Name
1	13200042	Shaft Assy. Throttle
2	29190109	Screw, Throttle/Choke
3	23210003	Plate, Throttle
4	13200043	Shaft Assy. Choke
5	27920080	Spring, Choke Return
6	23230009	Plate, Choke
7	27920079	Spring, Adj. Screw
8	29190117	Screw, Throttle Adj.
9	16630006	Screw, Idle Adj. Inc.-10
10	29610028	Seal, Idle Adj.
11	29190110	Screw, Banjo
12	29630073	Gasket, Banjo
13	27110008	Banjo
14	29630072	Gasket, Banjo
15	23950114	Jet, Fixed No. 92
16	23920019	Needle, Fuel
17	27460020	Shaft, Float
18	23960018	Float
19	29630076	Gasket, Bowl
20	13950001	Bowl & Drain Assy. Inc.-21,22,23,24
21	23950004	Stem, Bowl Drain
22	29630075	Gasket, Bowl Drain
23	27920078	Spring, Bowl Drain
24	23950002	Retainer, Bowl Drain
25	29630074	Gasket, Seat
26	29320026	Seat, Fixed Jet